

US00D848682S

(12) **United States Design Patent** (10) **Patent No.:** **US D848,682 S**  
**Baker** (45) **Date of Patent:** **\*\* May 14, 2019**

(54) **PET TOY**

(71) Applicant: **Doskocil Manufacturing Company, Inc.**, Arlington, TX (US)  
(72) Inventor: **Nicholas Baker**, Fort Worth, TX (US)  
(73) Assignee: **DOSKOCIL MANUFACTURING COMPANY, INC.**, Arlington, TX (US)

(\*\*) Term: **15 Years**

(21) Appl. No.: **29/611,456**

(22) Filed: **Jul. 21, 2017**

(51) **LOC (11) Cl.** ..... **30-99**

(52) **U.S. Cl.**  
USPC ..... **D30/160**

(58) **Field of Classification Search**  
USPC ..... D21/398, 400, 402, 412, 415, 426, 436, D21/439, 440, 441, 443, 455, 460-462, D21/466-468, 479, 495, 563, 656, 788, D21/799.1, 470, 681, 386, 484, 707, 712, D21/713, 408, 437, 673, 678, 679, 682; D24/211, 214, 215, 193-195, 212; D30/160, 112, 119; D1/125-127, 120  
CPC ..... A63H 5/00; A63H 33/26; A63H 33/18; A63H 29/22; A63H 29/24; A63H 2200/00; A63H 11/00; A63H 13/00; A63H 18/02; A63H 18/14; A63H 18/16; A63H 29/00; A63H 33/009; A63H 33/22; A63H 33/3055; A63H 3/003; A63H 3/006; A63H 3/008; A63H 3/24; A63H 3/28; A63H 3/31; A63H 3/36; A63H 9/00; A63B 59/20; A63B 69/406; A63B 47/04; A63B 2220/51; A63B 2220/53; A63B 2220/56; A63B 2220/805; A63B 2071/0625; A63B 2071/063; A63B 2220/17; A63B 2220/18; A63B 2220/40; A63B 2220/803; A63B 2220/833; A63B 43/004; A63B 43/06; A63B 71/0622; A63B 2071/0602; A63B 21/0055; A63B 2207/02; A63B 2225/54; A63B 69/0053; A63B 2047/043

See application file for complete search history.

(56) **References Cited**

U.S. PATENT DOCUMENTS

D580,112 S *	11/2008	Stiles .....	D21/713
D640,018 S *	6/2011	Rutherford .....	D30/160
D651,372 S *	12/2011	Rutherford .....	D30/160
D657,506 S *	4/2012	Viola .....	D30/160
D707,303 S *	6/2014	Saber .....	D21/398

(Continued)

*Primary Examiner* — Lilyana Bekic

*Assistant Examiner* — Aula Soroush

(74) *Attorney, Agent, or Firm* — Global IP Counselors, LLP

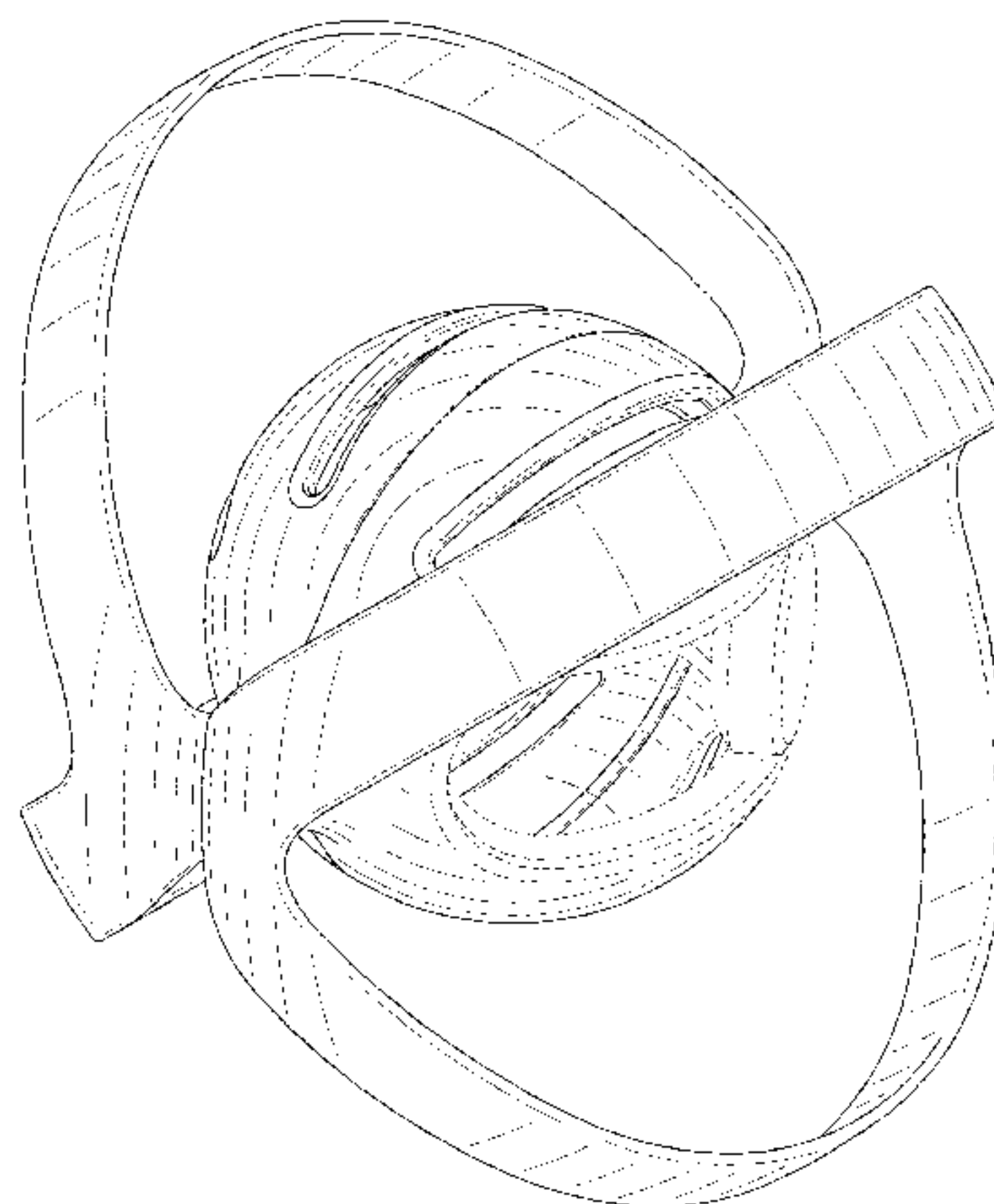
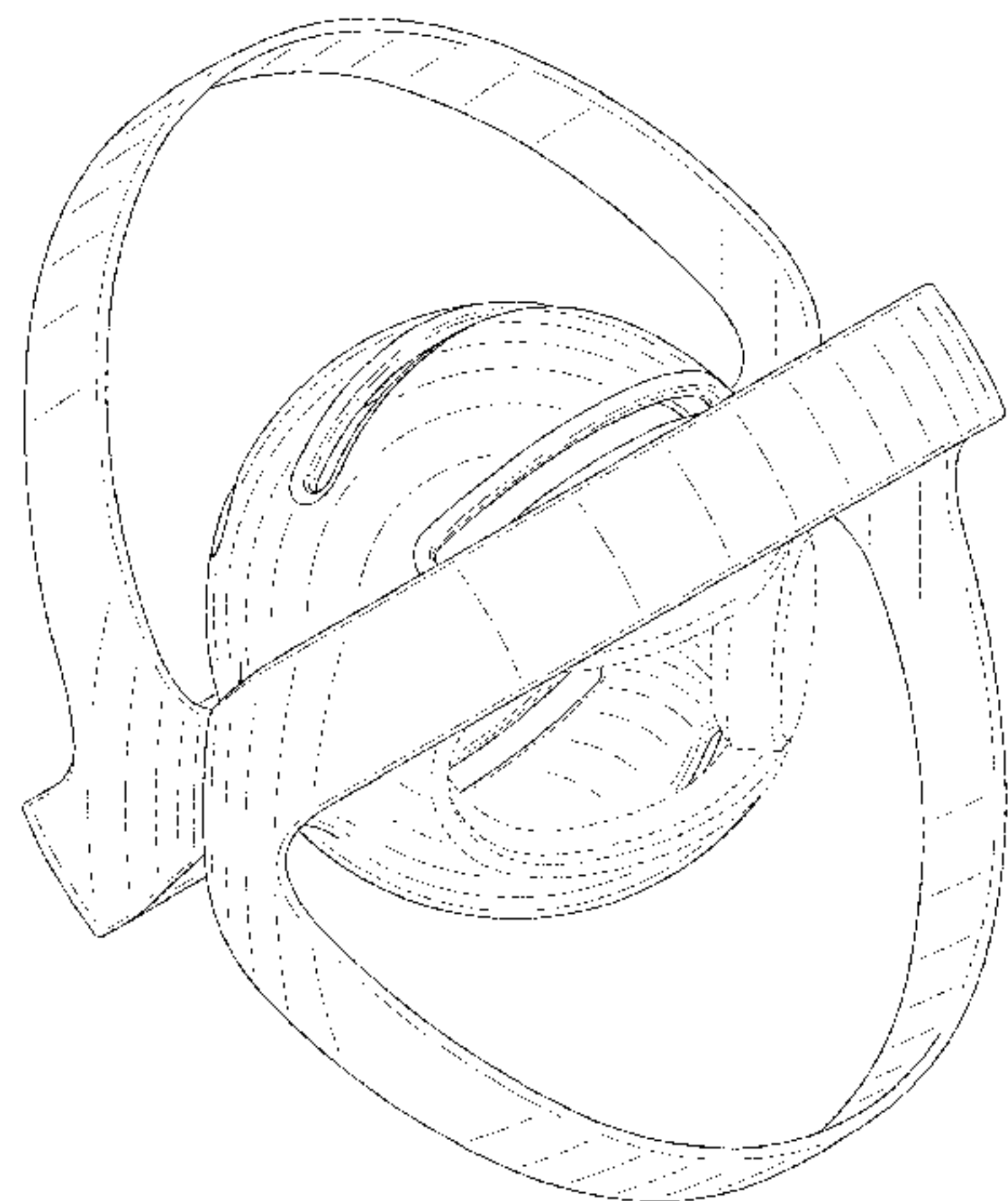
(57) **CLAIM**

The ornamental design for a pet toy, as shown and described.

**DESCRIPTION**

FIG. 1 is a front perspective view of a pet toy in accordance with a first embodiment of my new design;  
FIG. 2 is a front view thereof;  
FIG. 3 is a back view thereof;  
FIG. 4 is a right side view thereof;  
FIG. 5 is a left side view thereof;  
FIG. 6 is a top view thereof;  
FIG. 7 is a bottom view thereof;  
FIG. 8 is a front perspective view of a pet toy in accordance with a second embodiment of my new design;  
FIG. 9 is a front view thereof;  
FIG. 10 is a back view thereof;  
FIG. 11 is a right side view thereof;  
FIG. 12 is a left side view thereof;  
FIG. 13 is a top view thereof; and,  
FIG. 14 is a bottom view thereof.  
The broken lines in the drawings illustrate portions of the pet toy that form no part of the claimed design.

**1 Claim, 14 Drawing Sheets**



(56)

**References Cited**

U.S. PATENT DOCUMENTS

D786,513 S \* 5/2017 Tome ..... D30/121  
D822,295 S \* 7/2018 Woods ..... D30/160

\* cited by examiner

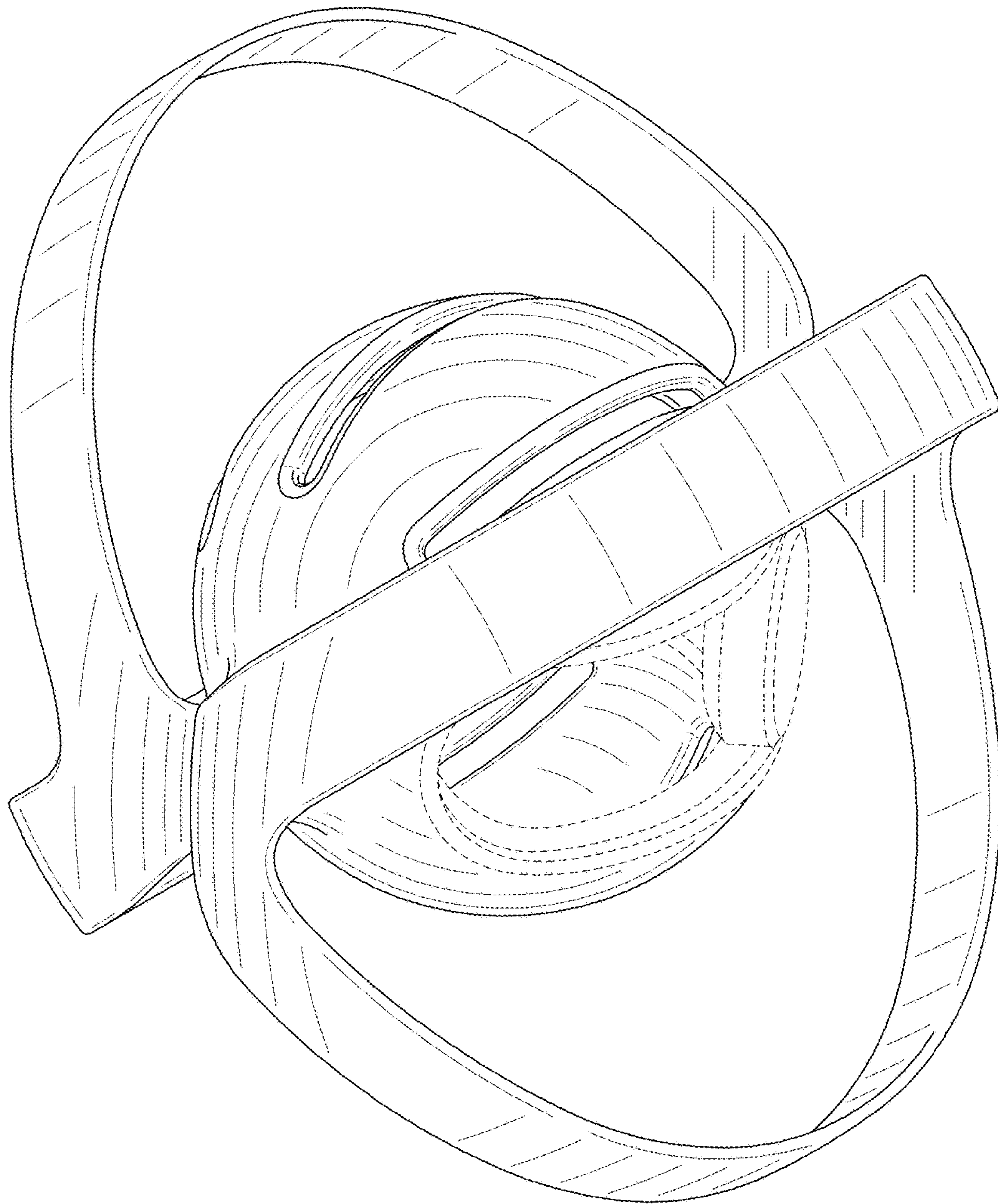


FIG. 1

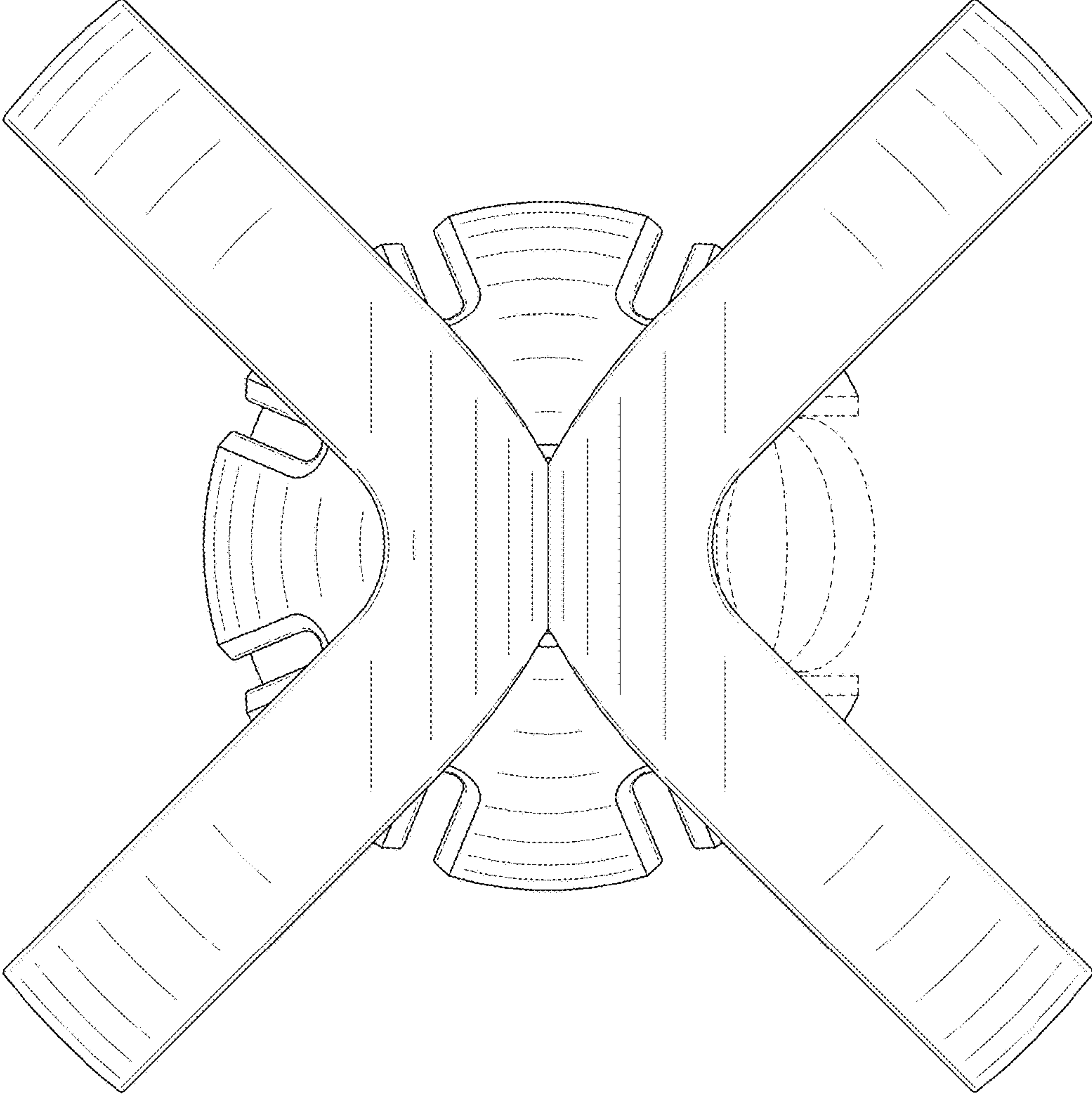


FIG. 2



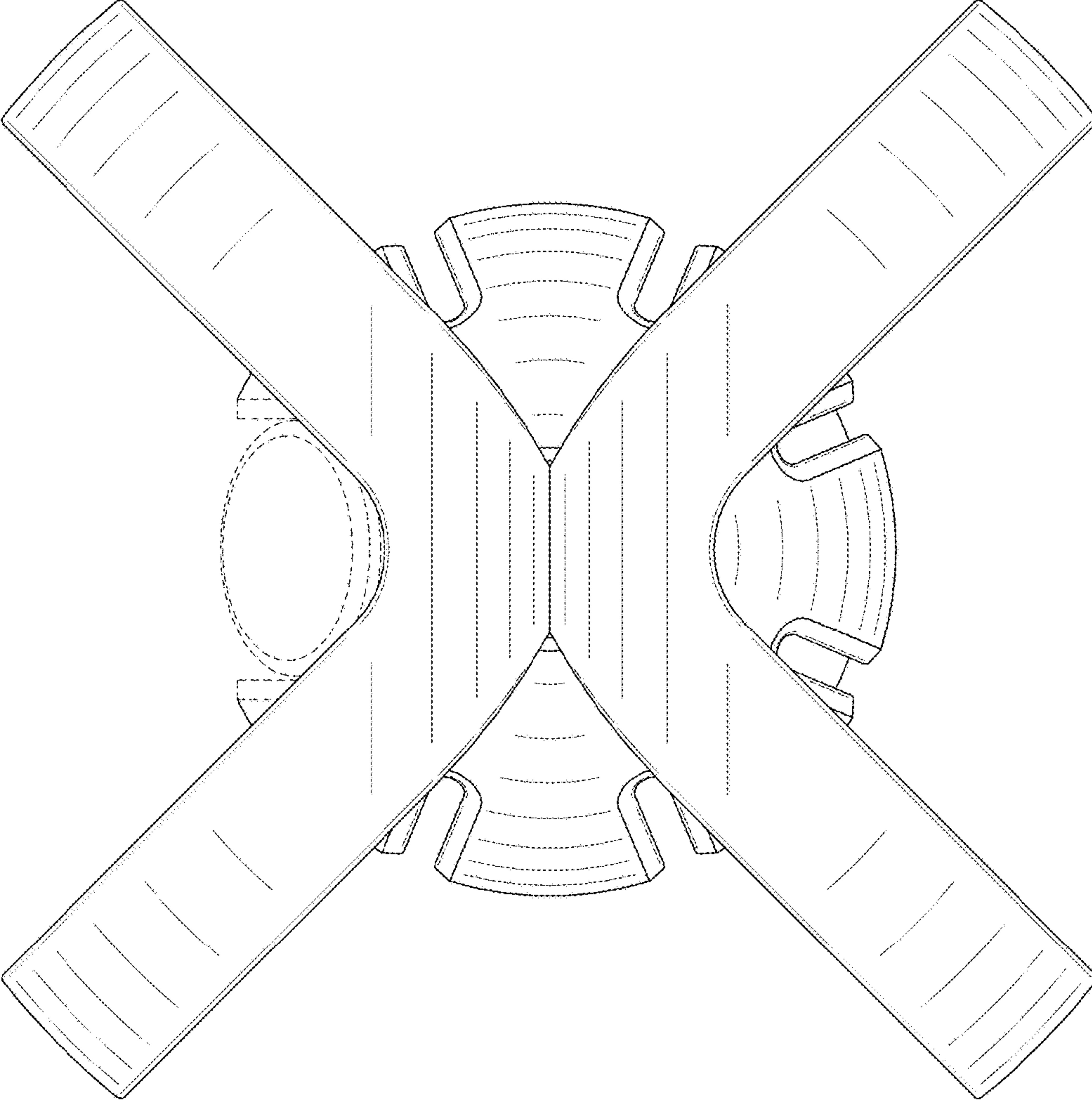


FIG. 3

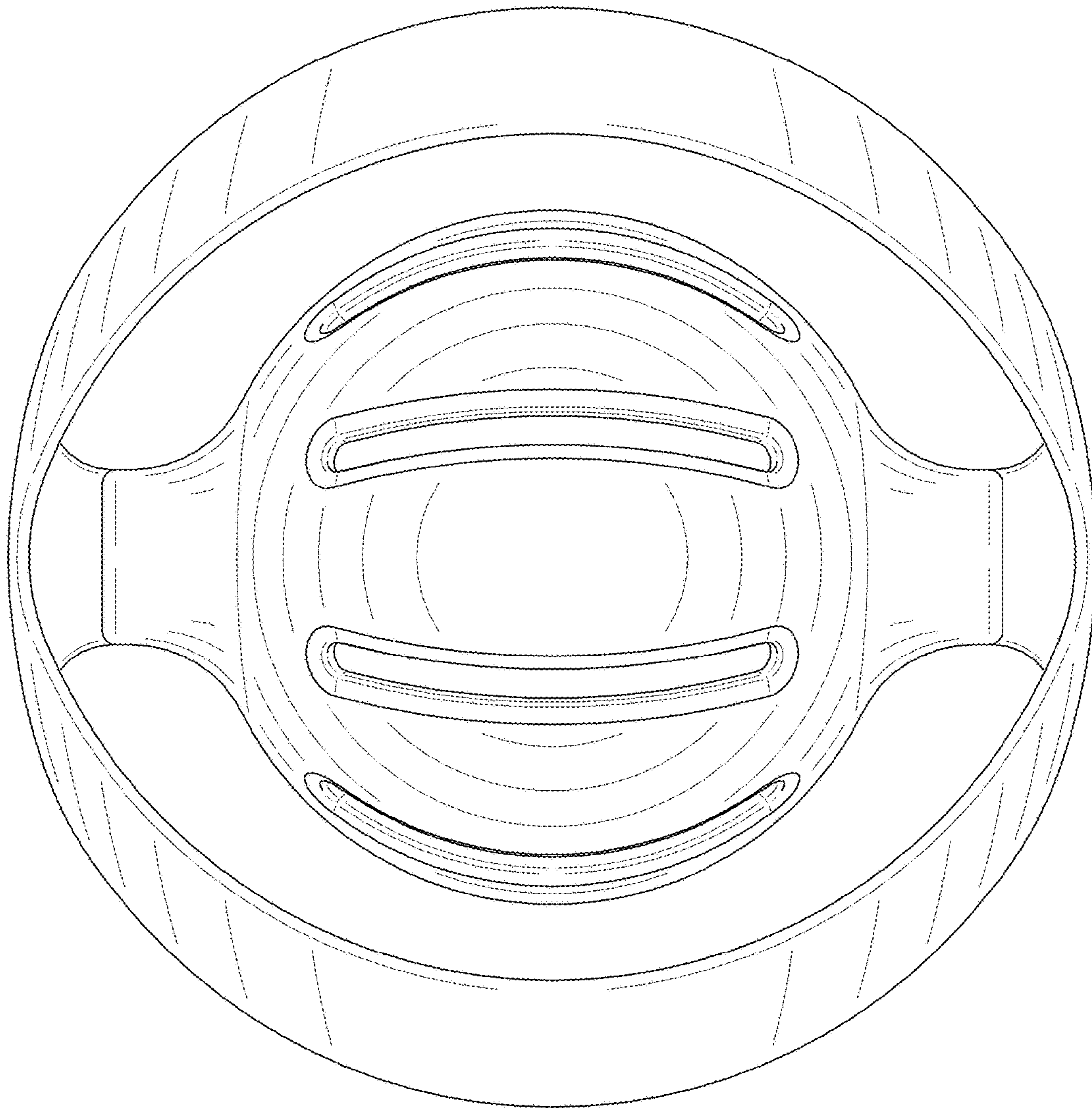


FIG. 4

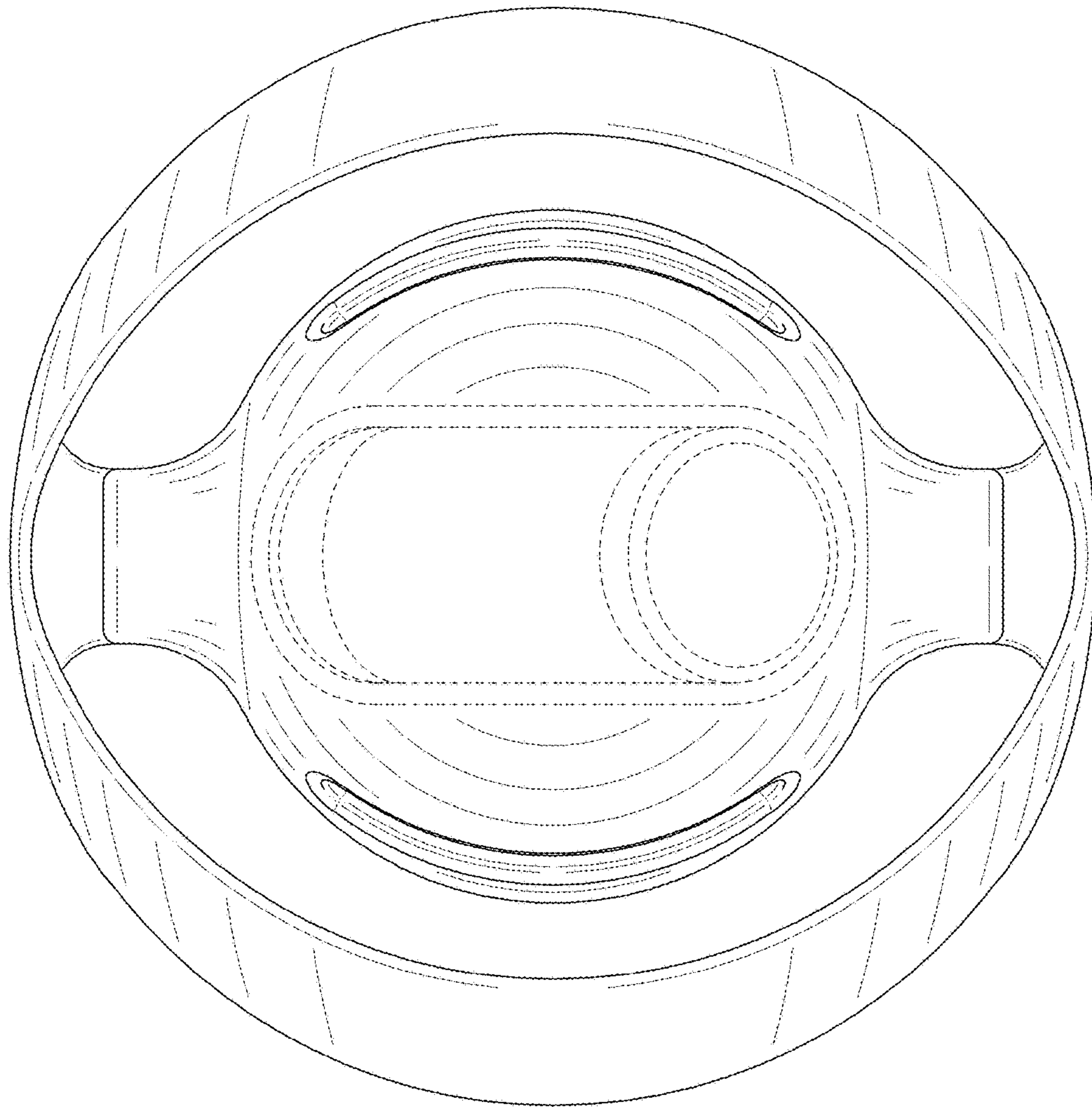


FIG. 5

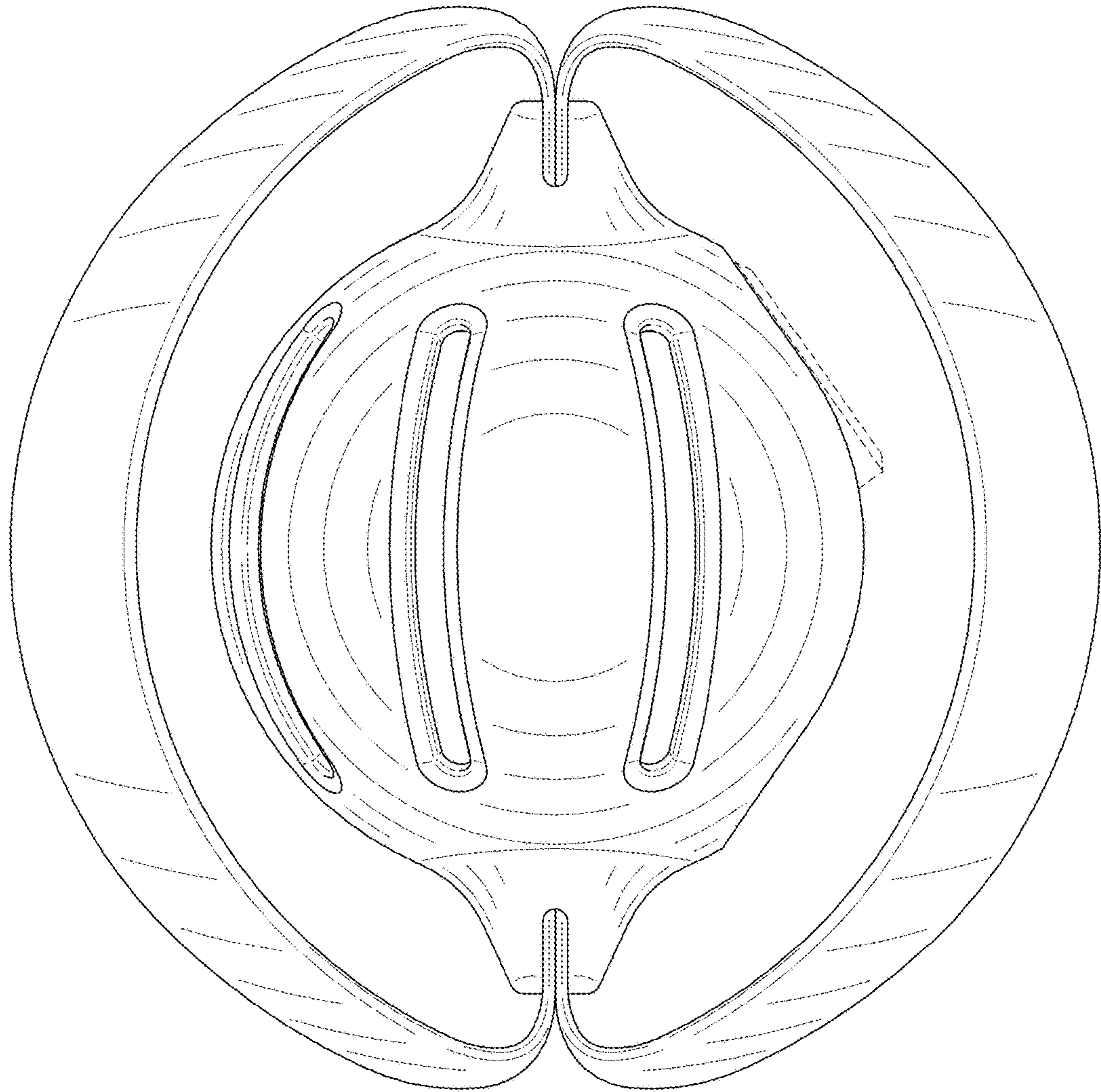


FIG. 6



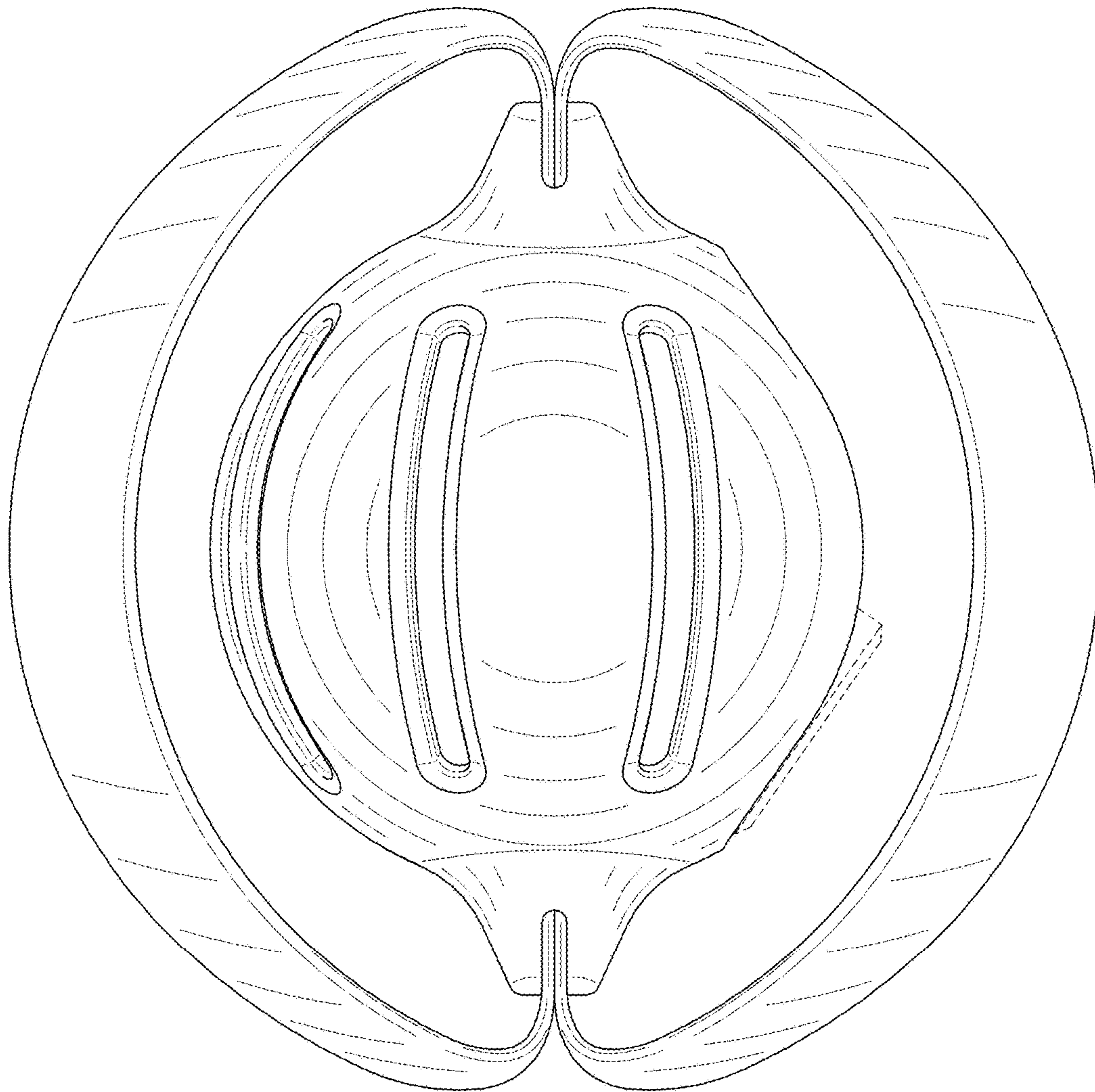


FIG. 7

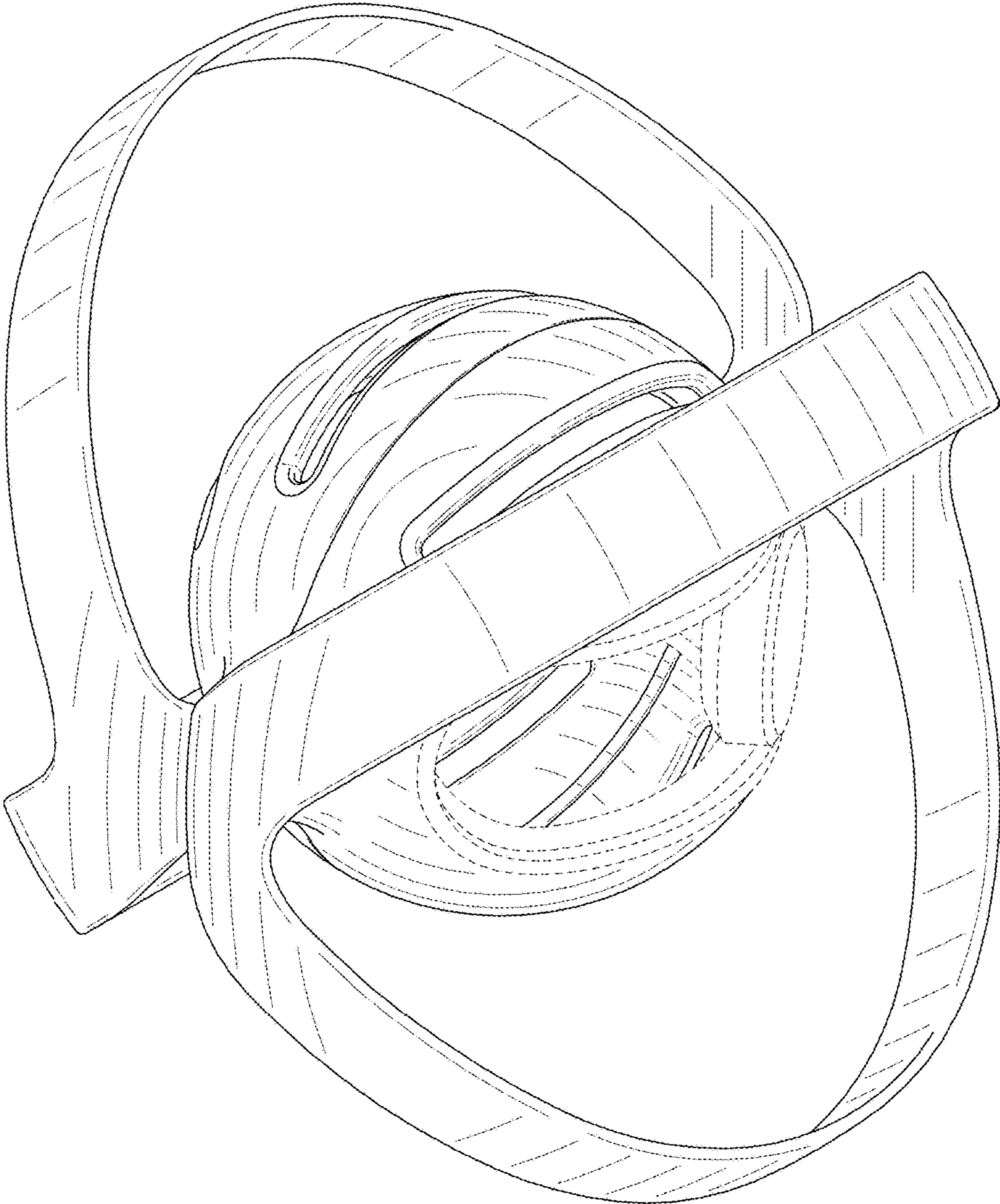


FIG. 8

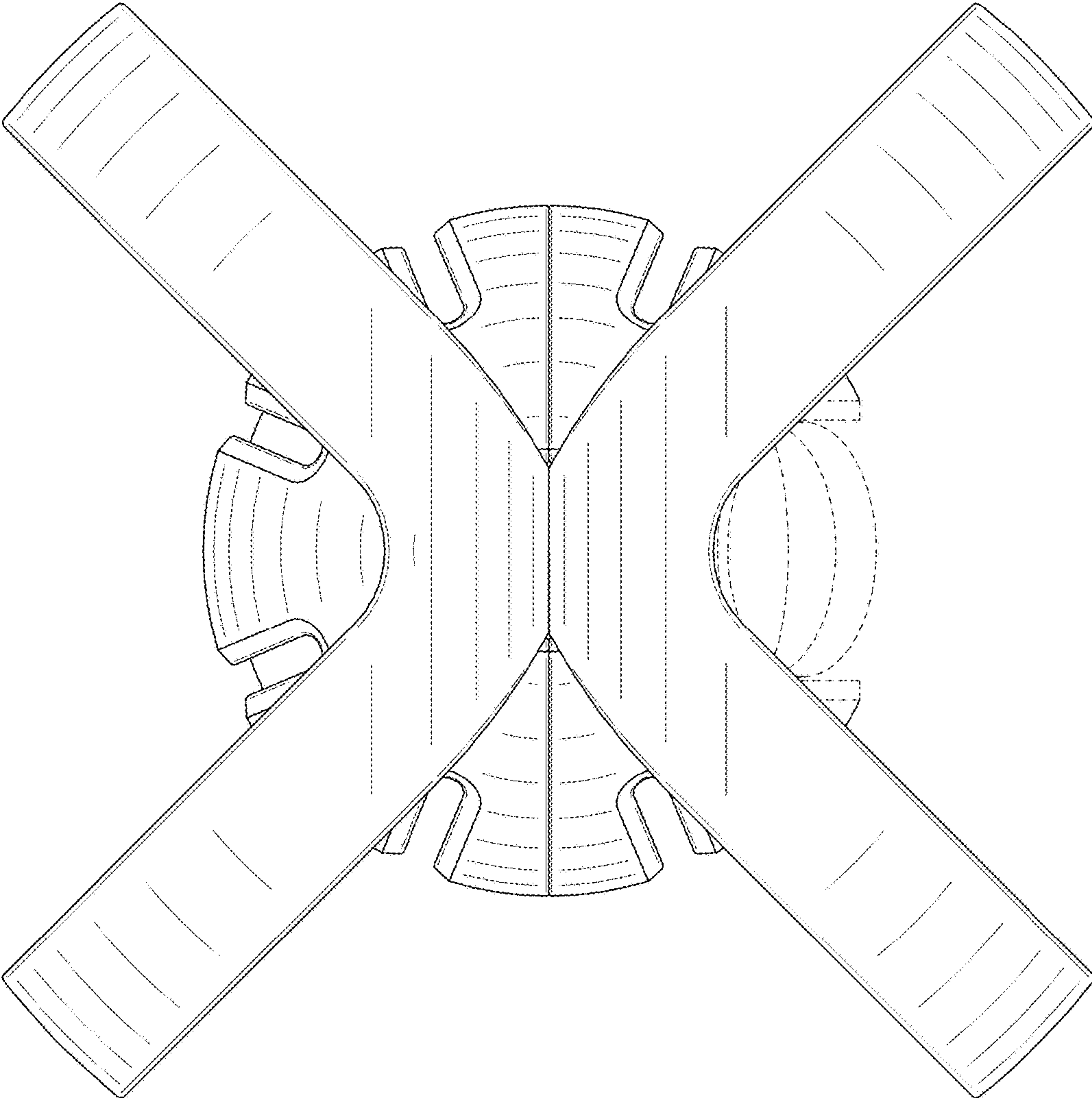


FIG. 9

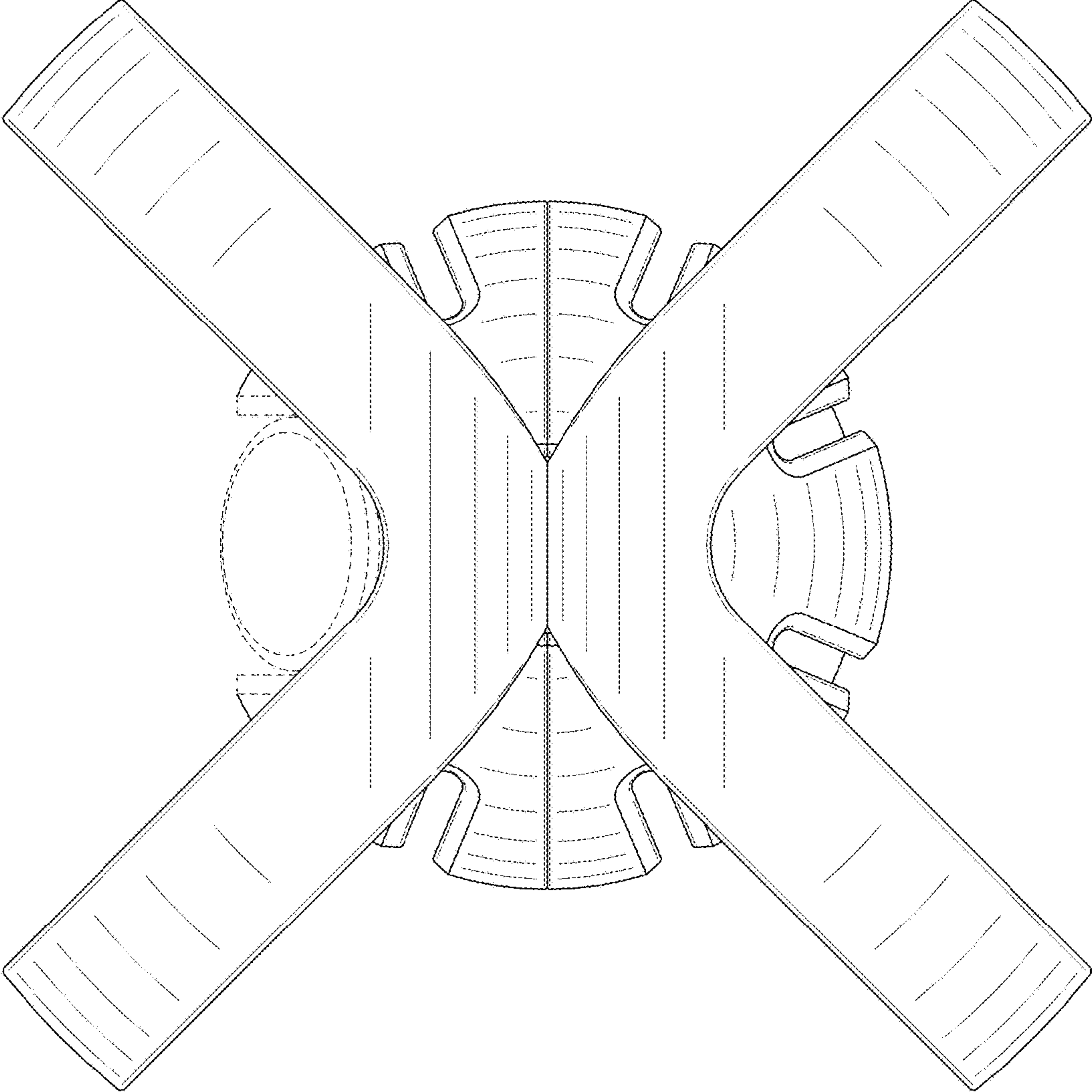


FIG. 10



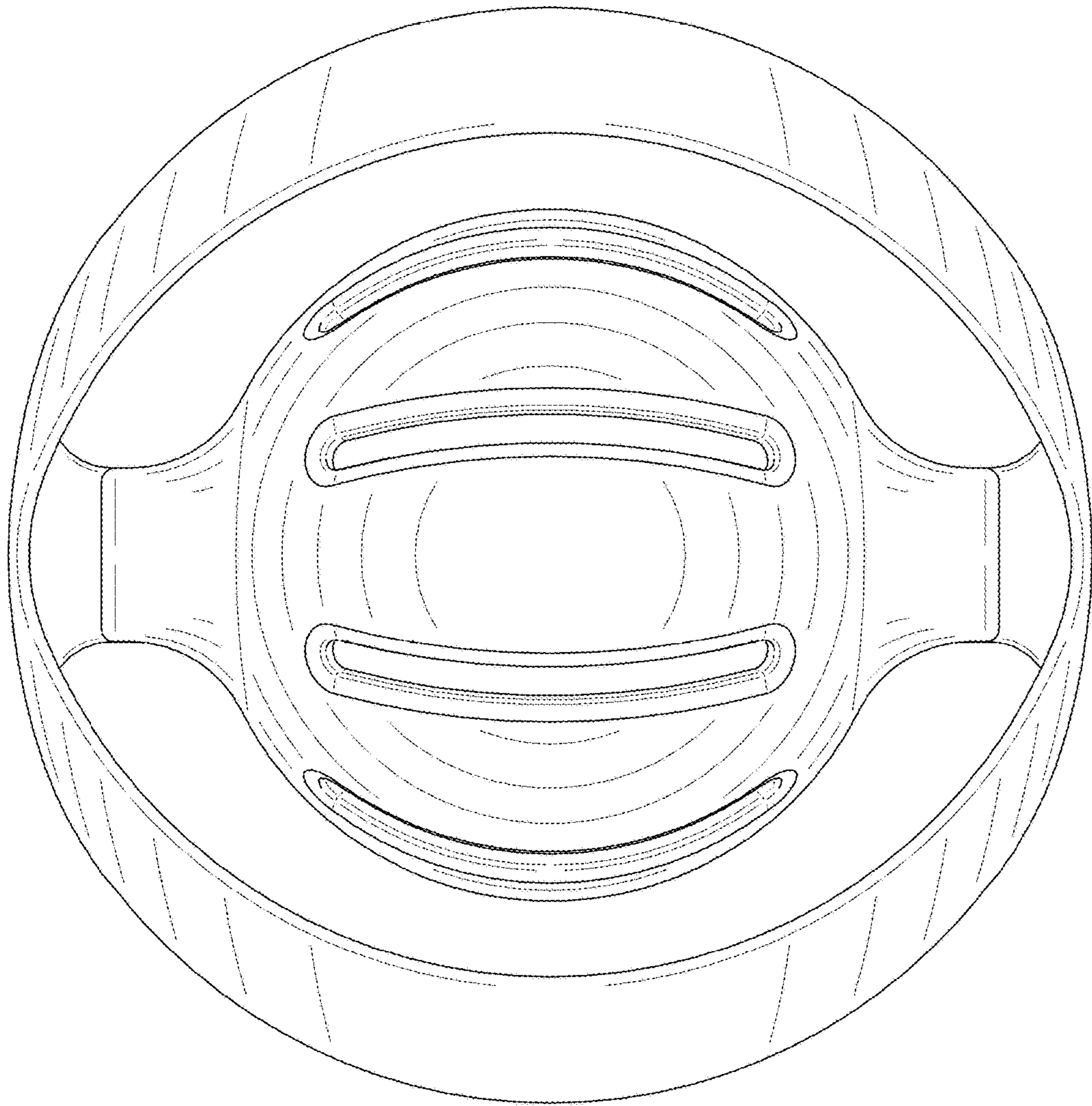


FIG. 11

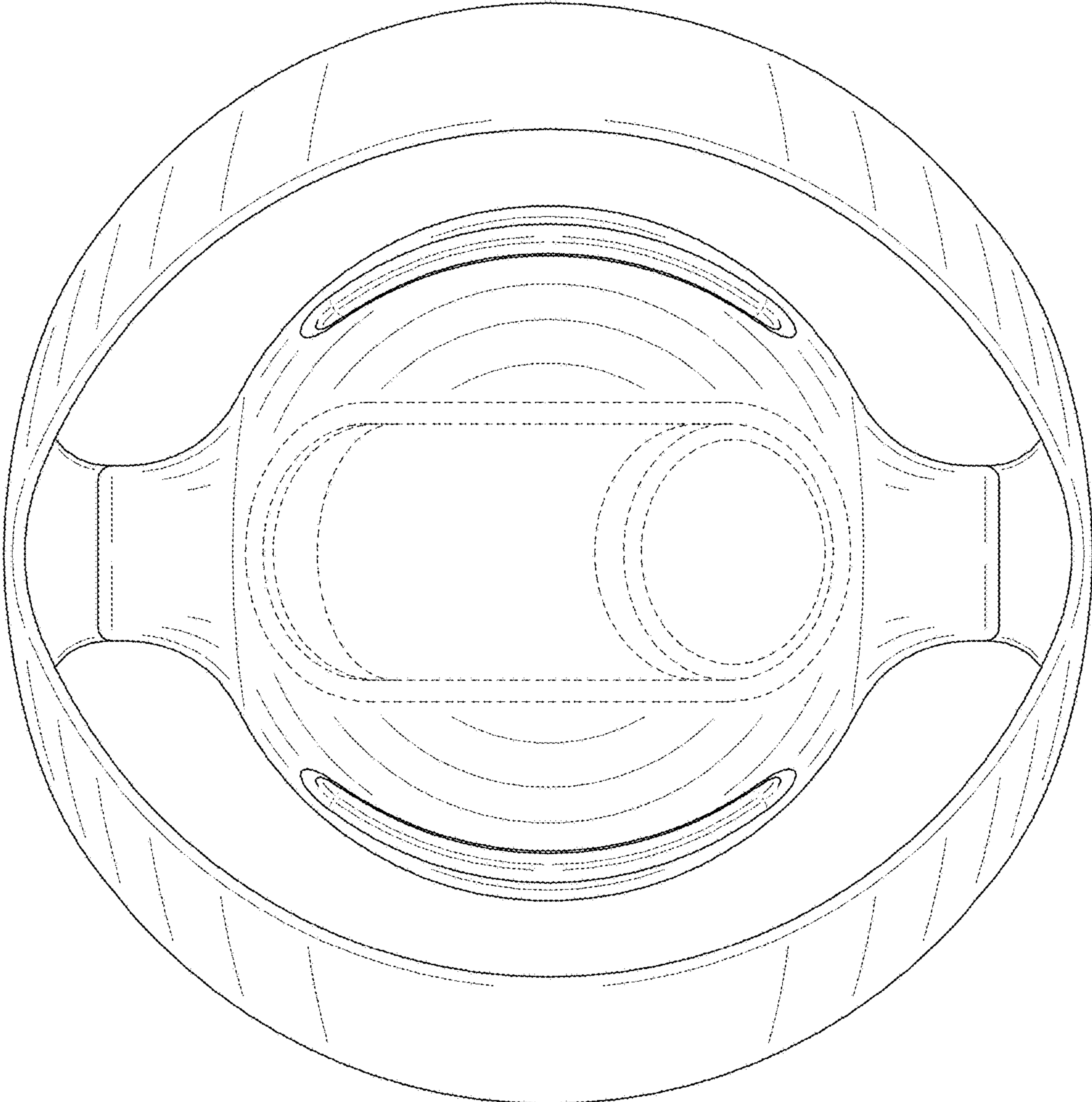


FIG. 12

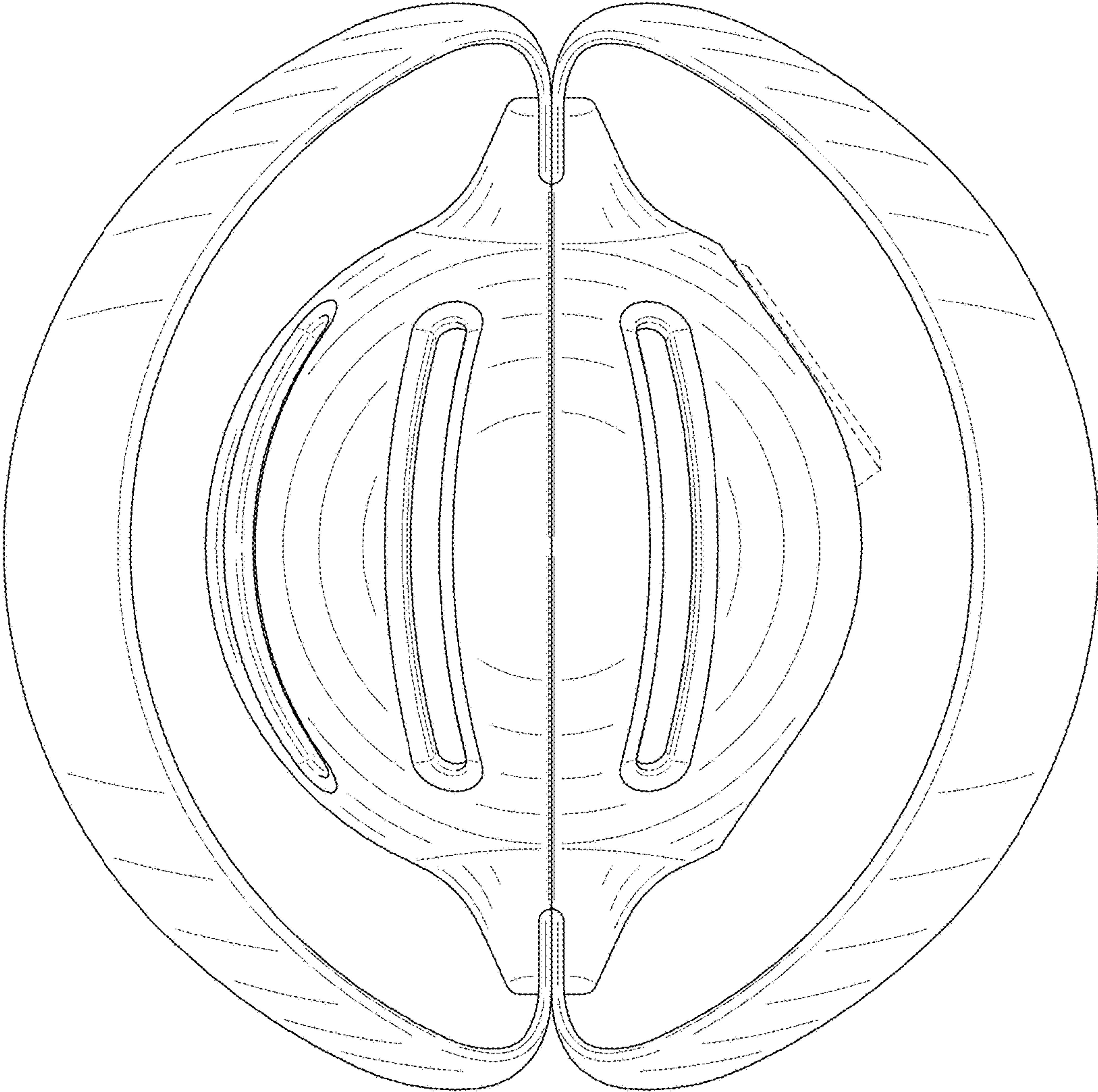


FIG. 13

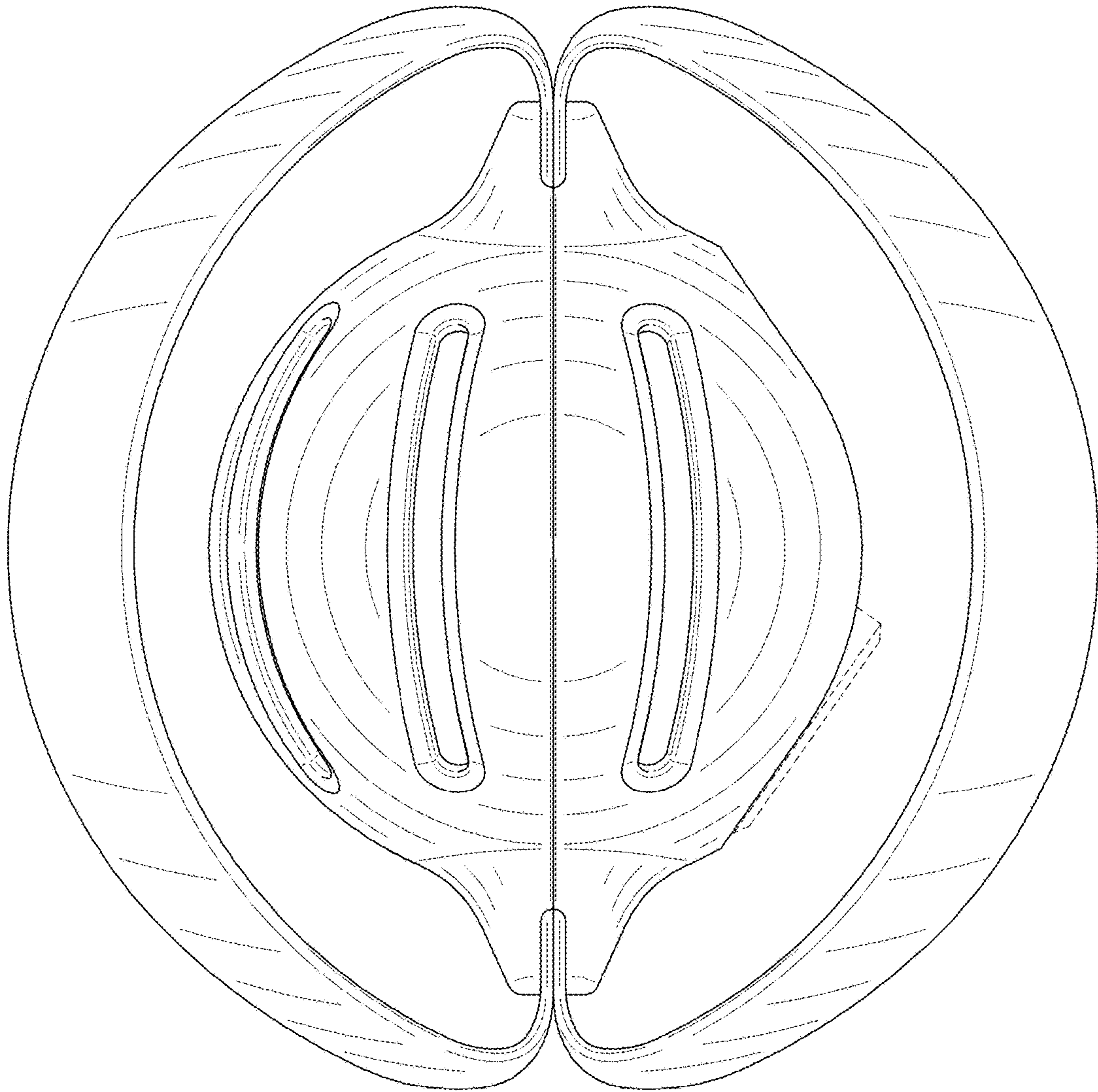


FIG. 14