



US00D848679S

(12) **United States Design Patent** (10) **Patent No.:** **US D848,679 S**
Wilson et al. (45) **Date of Patent:** **** May 14, 2019**

(54) **HEARING PROTECTION HEADSET**

(71) Applicant: **Honeywell International Inc.**, Morris Plains, NJ (US)

(72) Inventors: **May Wilson**, Wokingham (GB); **Weimin Zhou**, Shanghai (CN); **Jie Zhu**, Shanghai (CN)

(73) Assignee: **Honeywell International Inc.**, Morris Plains, NJ (US)

(**) Term: **15 Years**

(21) Appl. No.: **29/618,811**

(22) Filed: **Sep. 25, 2017**

(51) **LOC (11) Cl.** **29-02**

(52) **U.S. Cl.**
USPC **D29/112**

(58) **Field of Classification Search**
USPC D29/100, 102, 105, 106, 108, 112, 122;
D14/205, 223, 249

CPC A42B 3/16; A42B 3/163; A42B 3/166;
A61F 11/06; A61F 11/08; A61F 11/10;
A61F 11/12; A61F 11/14; A61F
2011/085; H04R 1/10; H04R 1/1008;
H04R 1/1016; H04R 1/105; H04R
1/1058; H04R 1/1066; H04R 1/1075;
H04R 1/1083; H04R 5/0335; H04R
25/652; H04R 25/654; H04R 25/656;
A63B 71/10

See application file for complete search history.

(56) **References Cited**

U.S. PATENT DOCUMENTS

- 2,883,671 A * 4/1959 Hornickel A61F 11/14
128/866
- 3,085,253 A * 4/1963 Ulrich A61F 11/14
181/256
- 3,104,398 A * 9/1963 Palmaer A61F 11/14
2/209
- D298,670 S * 11/1988 Palmaer D14/205

- D313,092 S * 12/1990 Nilsson D14/205
- D411,200 S * 6/1999 Almqvist D14/192
- D413,413 S * 8/1999 Dillon D14/205
- D434,191 S * 11/2000 Emilsson D29/112
- D509,323 S * 9/2005 Emilsson D29/112
- D541,483 S * 4/2007 Birgersson D29/112
- D651,764 S * 1/2012 Gresko A61F 11/14
D29/112
- D736,475 S * 8/2015 Fletcher D29/112
- D744,171 S * 11/2015 Rose D29/112
- D747,557 S * 1/2016 Bonney D29/112

(Continued)

OTHER PUBLICATIONS

China Patent Application No. 201830110096.6, filed Mar. 23, 2018, 17 pages.

(Continued)

Primary Examiner — Elizabeth J Oswecki

(74) *Attorney, Agent, or Firm* — Wick Phillips Gould & Martin, LLP

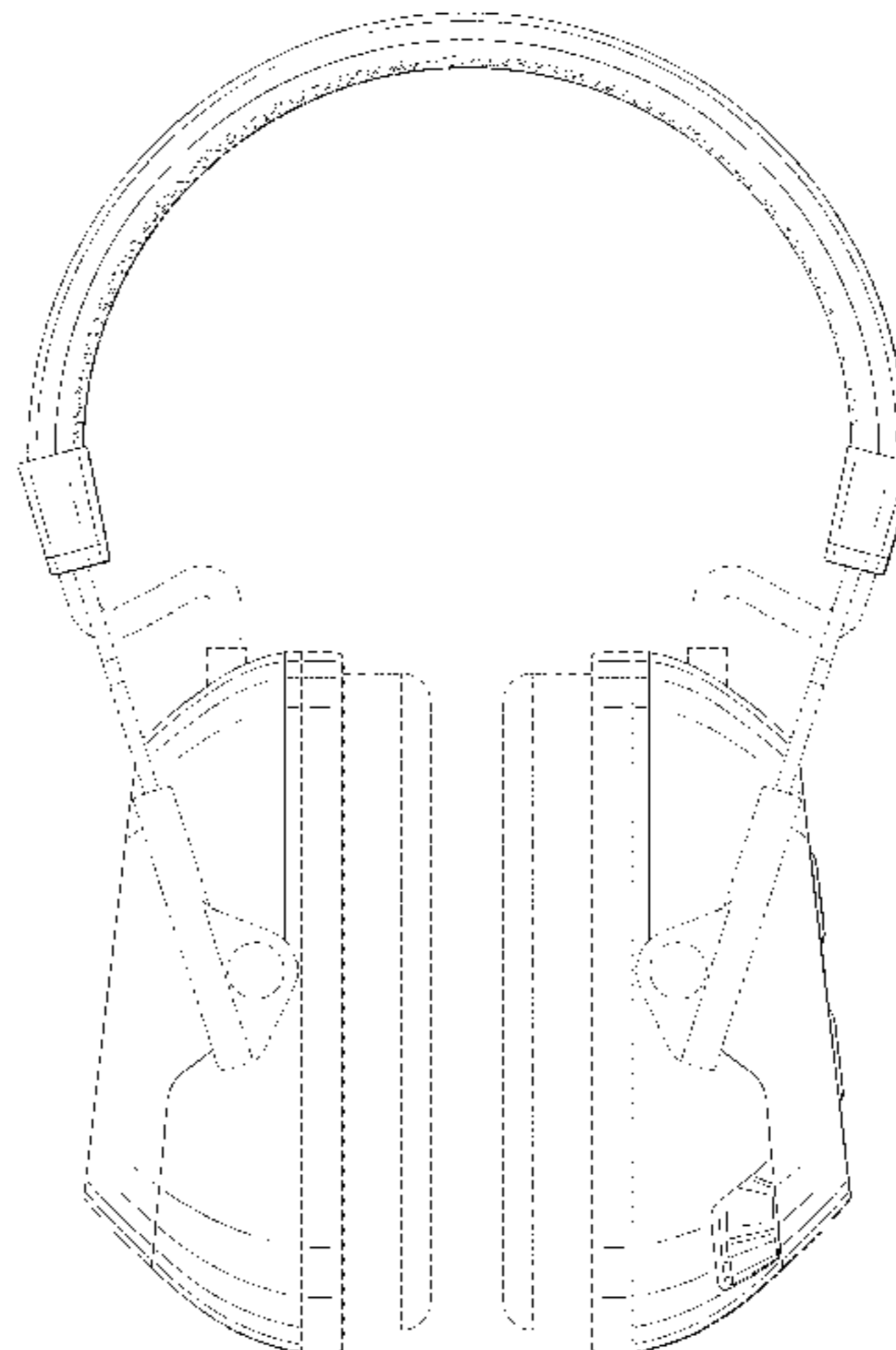
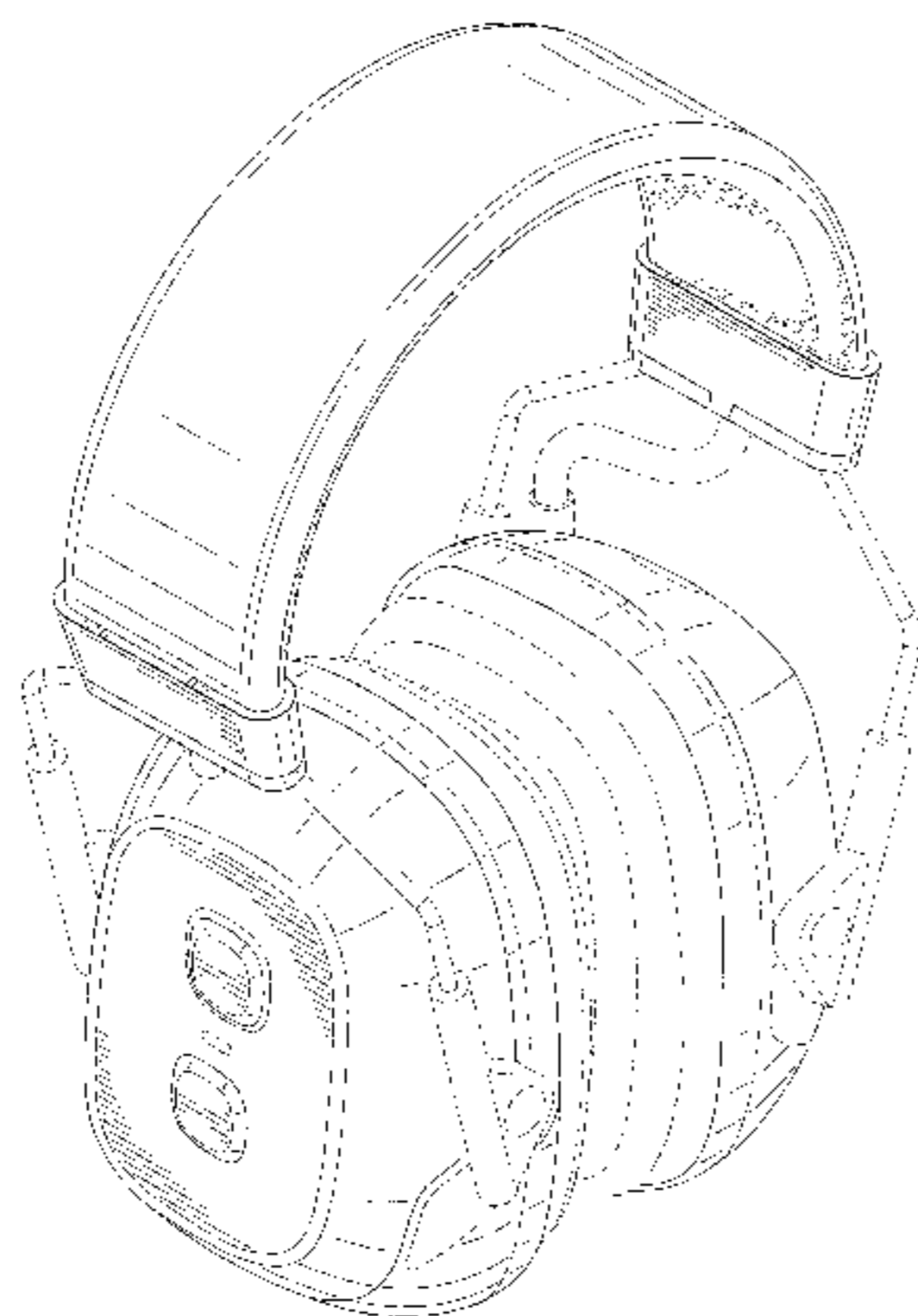
(57) **CLAIM**

The ornamental design for a hearing protection headset, as shown and described.

DESCRIPTION

FIG. 1 is a rear perspective view of a hearing protection headset showing our new design;
FIG. 2 is a front view thereof;
FIG. 3 is a rear view thereof;
FIG. 4 is a left side view thereof;
FIG. 5 is a right side view thereof;
FIG. 6 is a top view thereof;
FIG. 7 is a bottom view thereof; and,
FIG. 8 is a front perspective view thereof.
The broken lines shown in the drawings are only provided to illustrate the environment of the design, and form no part of the claimed design.

1 Claim, 7 Drawing Sheets



(56)

References Cited

U.S. PATENT DOCUMENTS

D752,816 S *	3/2016	Fletcher	D29/112
D753,884 S *	4/2016	Bonney	D29/112
D764,717 S *	8/2016	Fletcher	D29/112
D766,520 S *	9/2016	Fletcher	D29/112
D805,697 S *	12/2017	Pratley	D29/112
D821,653 S *	6/2018	Pratley	D29/112
D834,260 S *	11/2018	Garcia Mansilla	D29/112

OTHER PUBLICATIONS

European Community Design Registration Application No. 004969509,
filed Mar. 22, 2018, 9 pages.

Design U.S. Appl. No. 29/640,307, filed Mar. 13, 2018, 13 pages.

Design U.S. Appl. No. 29/647,556, filed May 14, 2018, 14 pages.

European Community Design Registration No. 004969509-0001,
dated May 31, 2018, 6 pages.

* cited by examiner

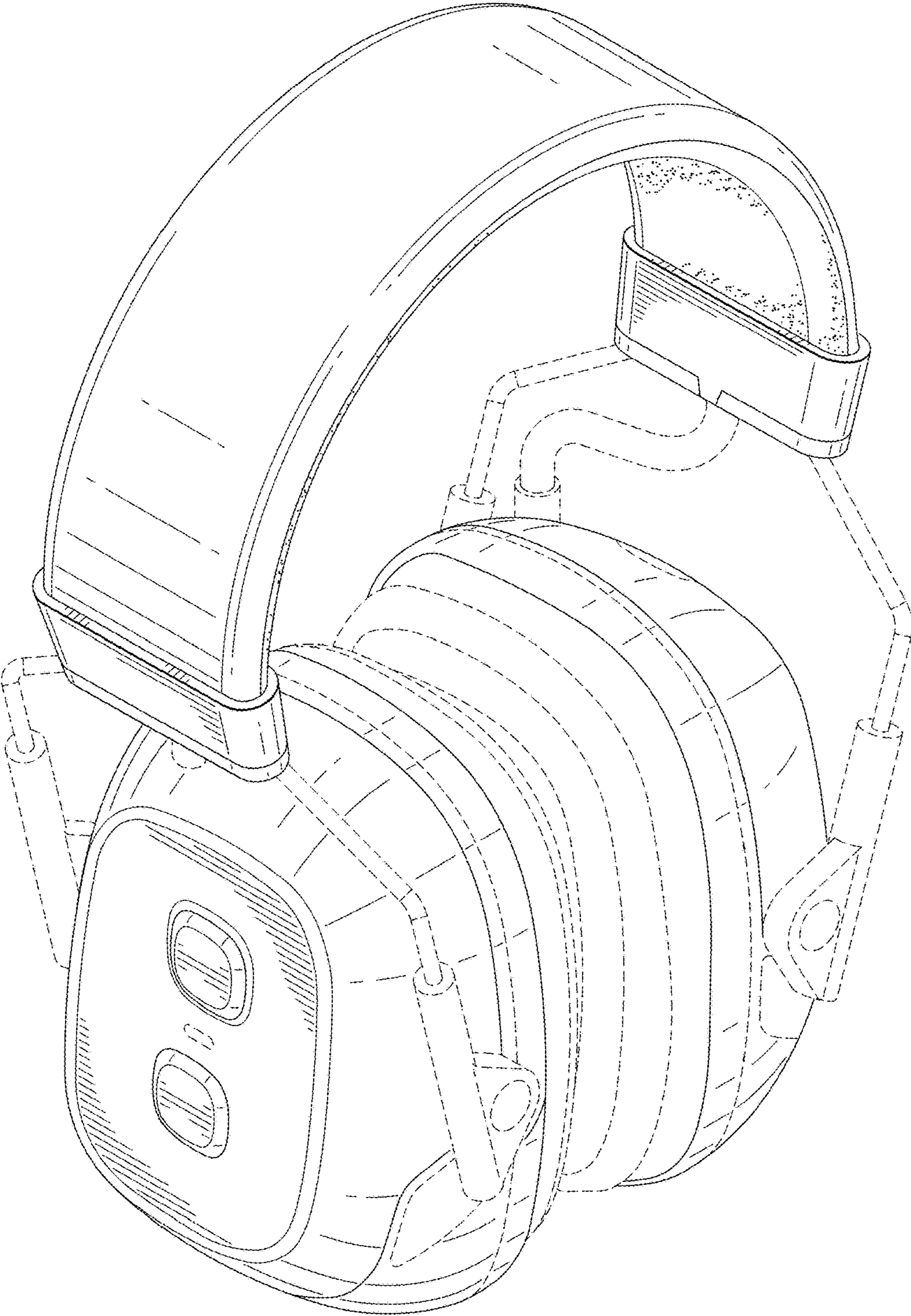


FIG. 1

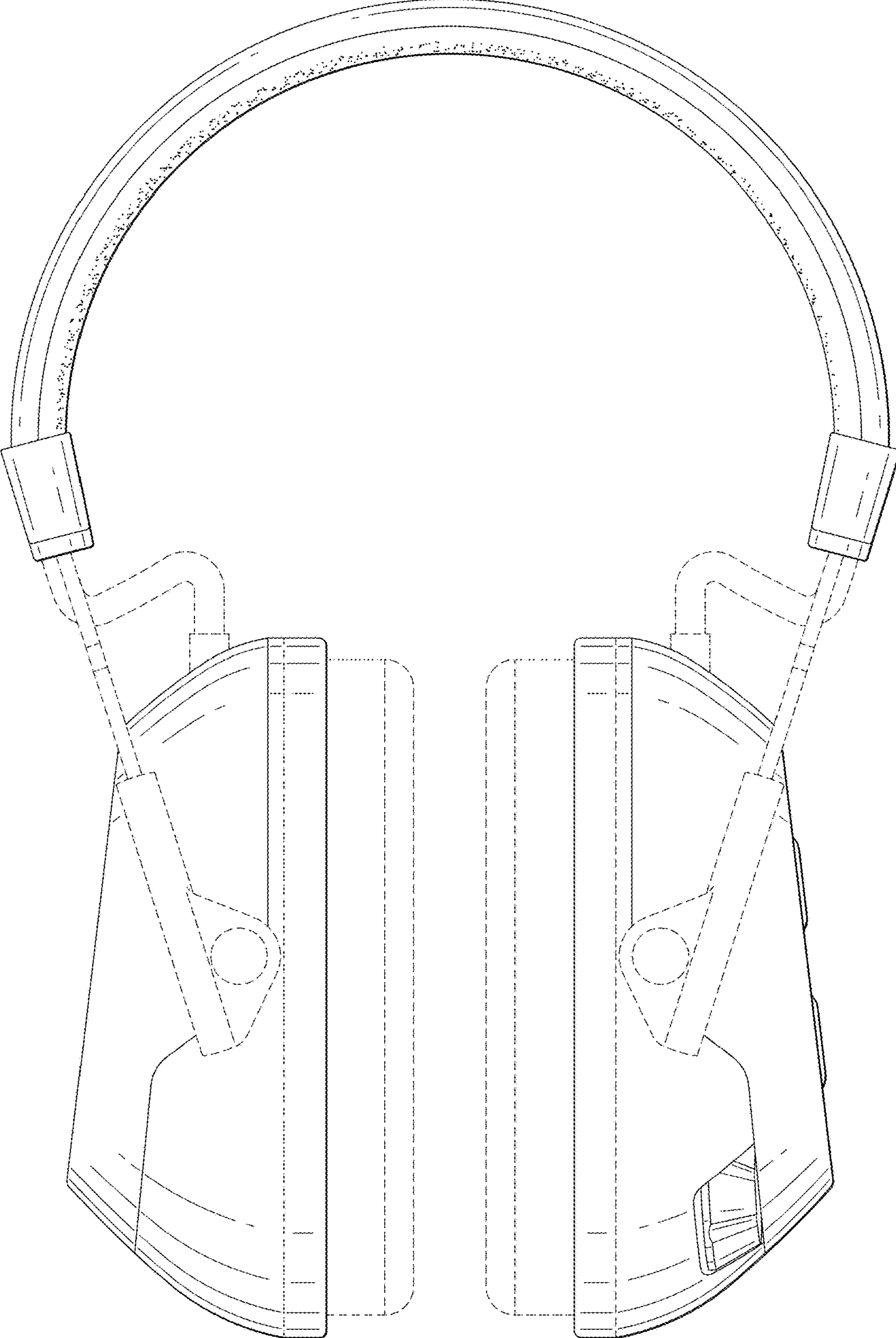


FIG. 2

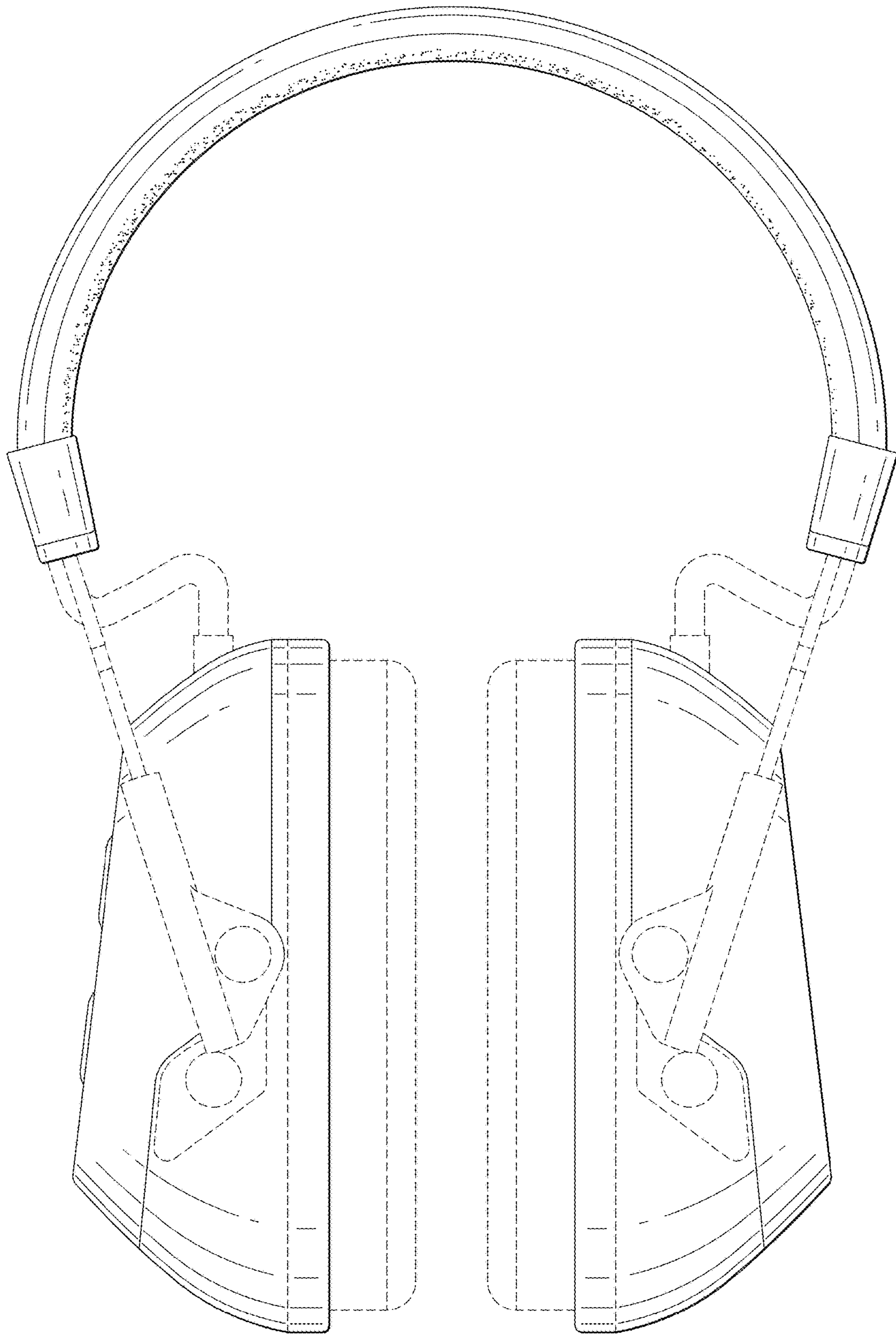


FIG. 3

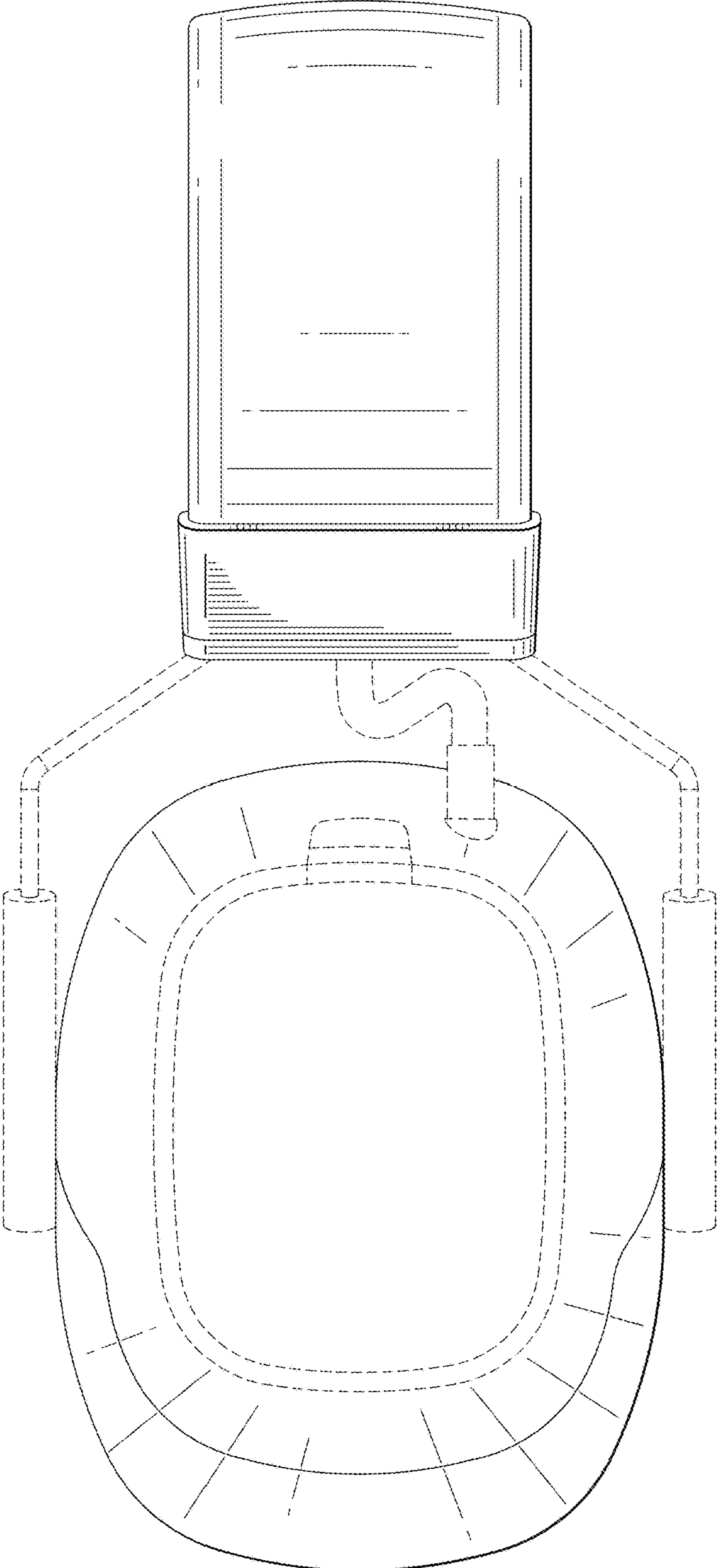


FIG. 4

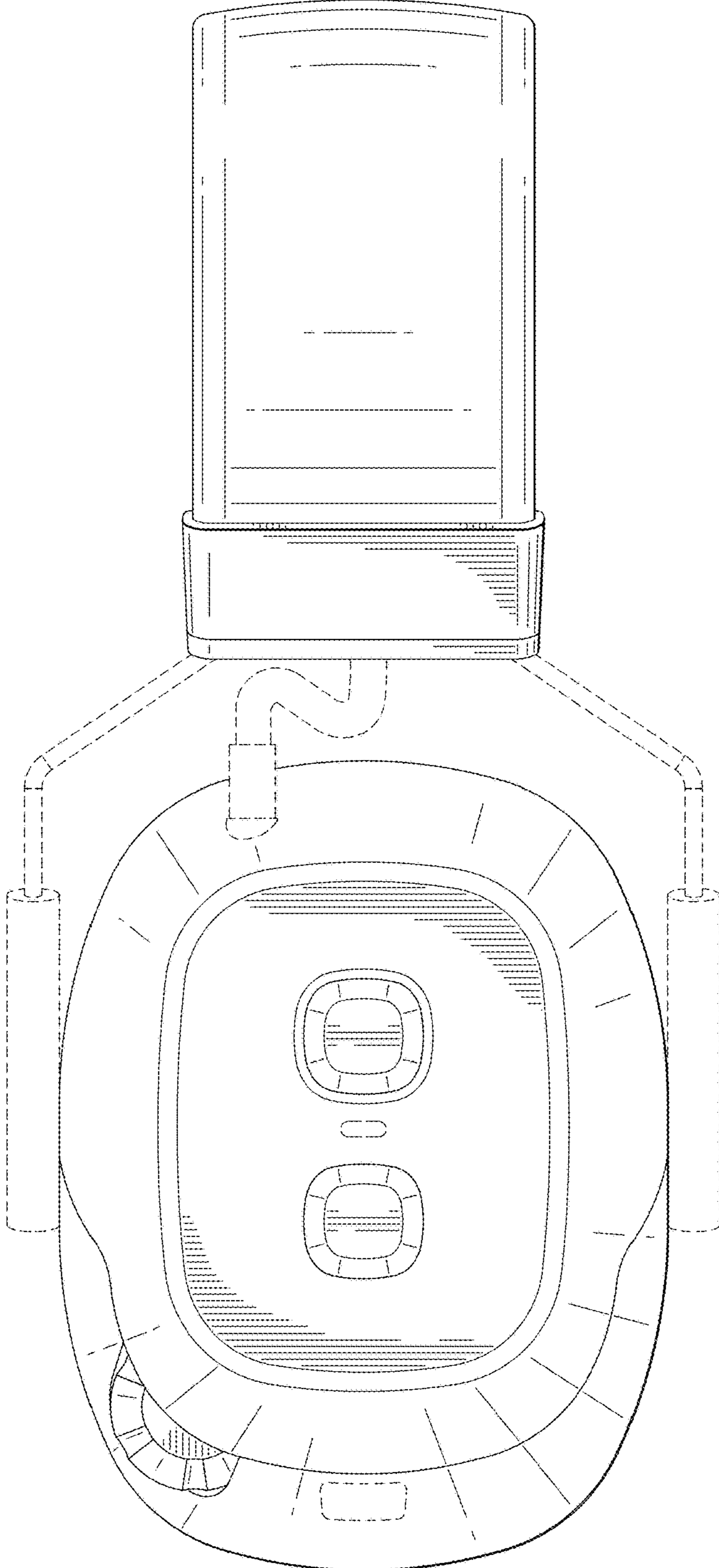


FIG. 5

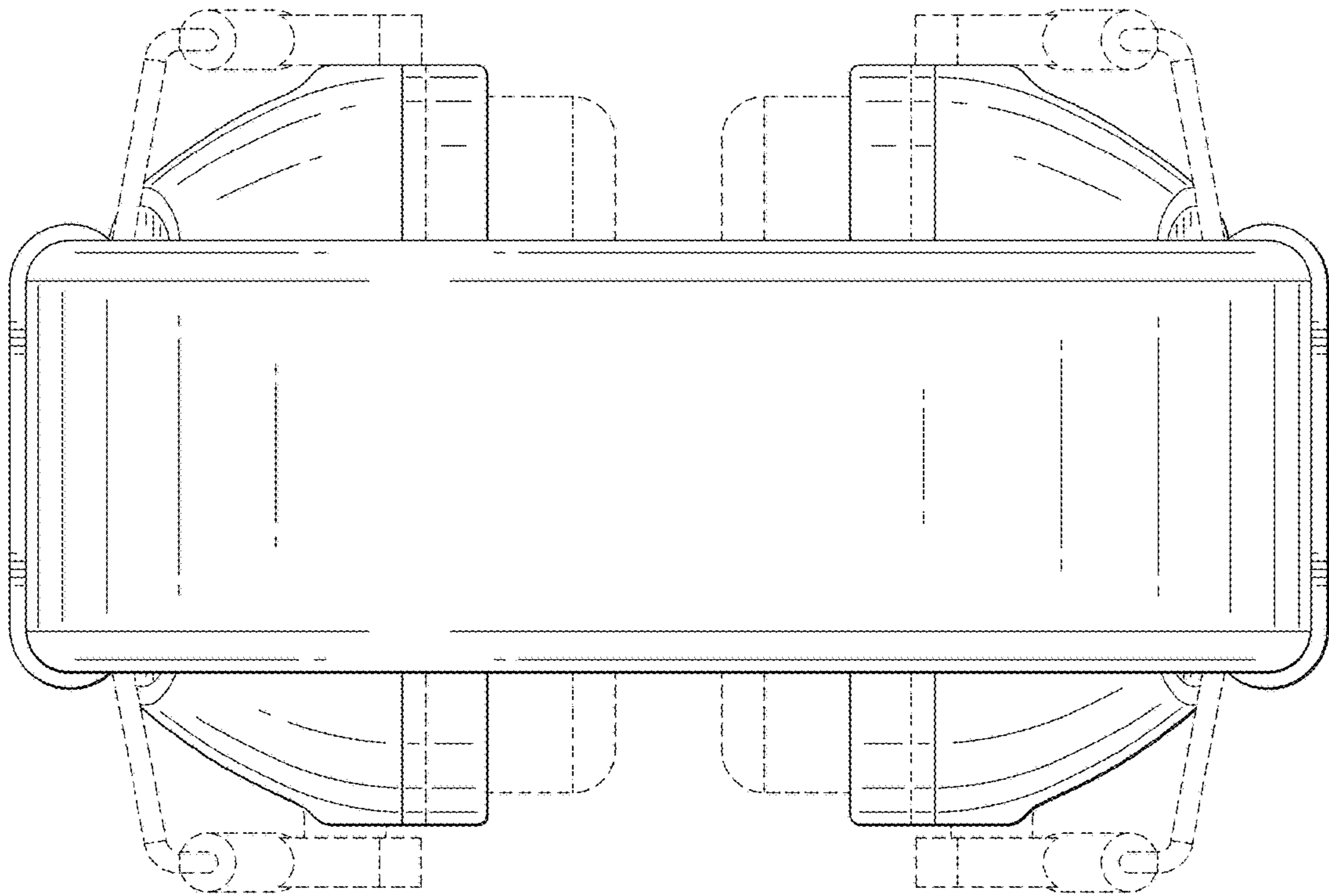


FIG. 6

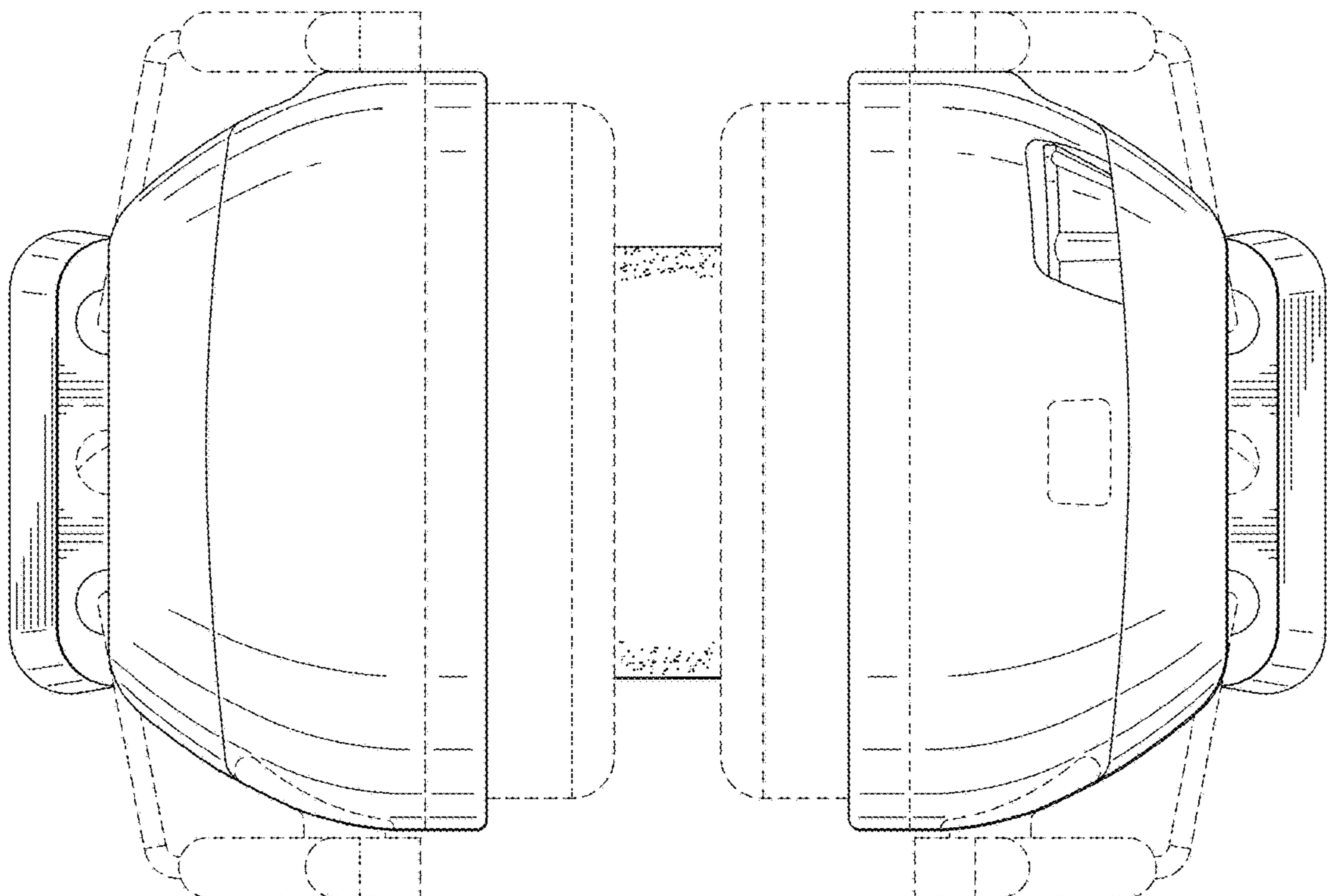


FIG. 7

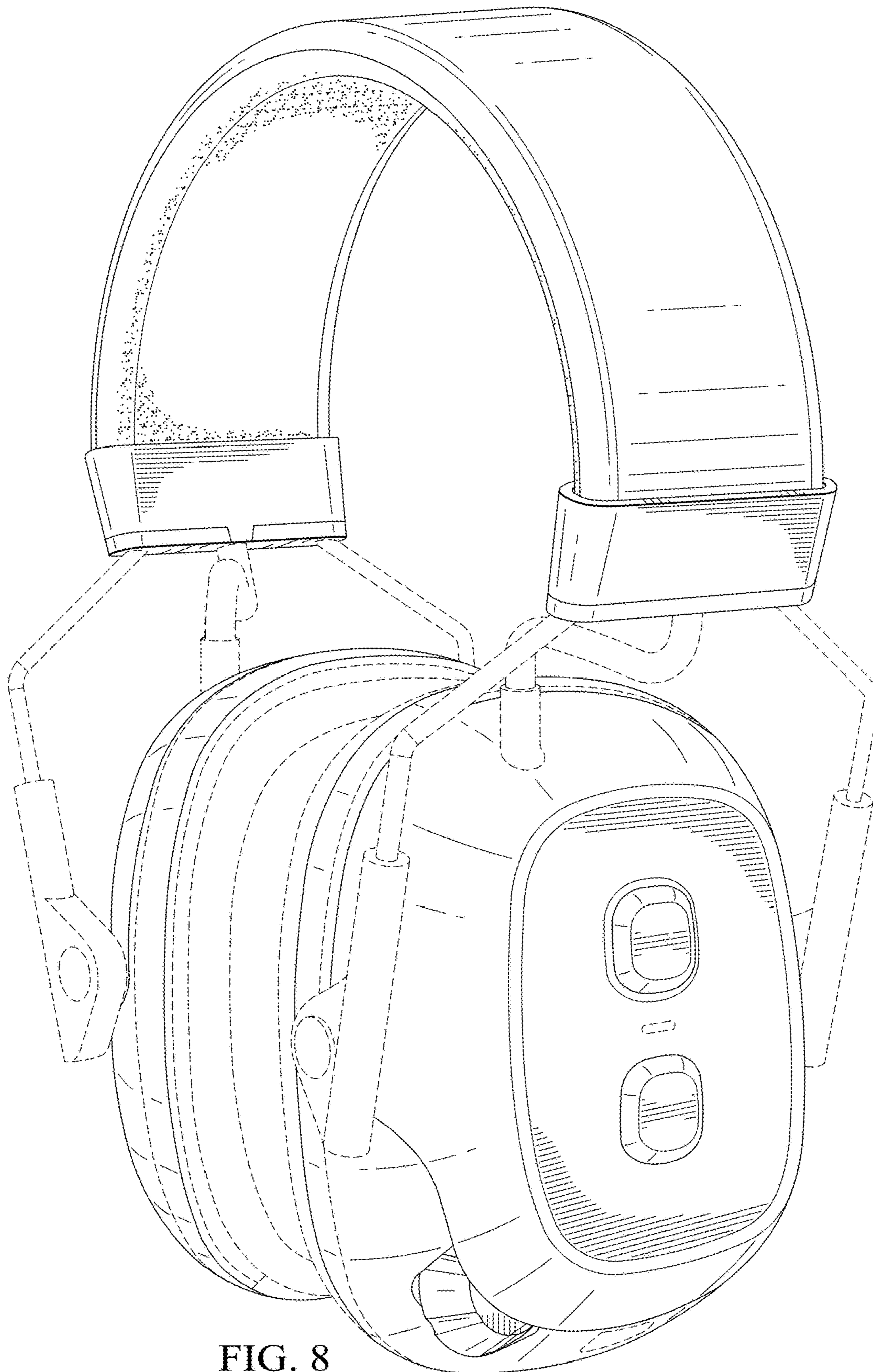


FIG. 8