



US00D848678S

(12) **United States Design Patent**
Andrews

(10) **Patent No.:** **US D848,678 S**
(45) **Date of Patent:** **** May 14, 2019**

(54) **ADJUSTABLE MASK**

(71) Applicant: **Medline Industries, Inc.**, Northfield, IL (US)

(72) Inventor: **Melanie Andrews**, Lake Villa, IL (US)

(73) Assignee: **Medline Industries, Inc.**, Northfield, IL (US)

(**) Term: **15 Years**

(21) Appl. No.: **29/670,908**

(22) Filed: **Nov. 20, 2018**

Related U.S. Application Data

(62) Division of application No. 29/603,744, filed on May 11, 2017, now Pat. No. Des. 837,456.

(51) **LOC (11) Cl.** **29-02**

(52) **U.S. Cl.**
USPC **D29/108**

(58) **Field of Classification Search**

USPC D29/100, 102, 105, 106, 107, 108, 110, D29/122; D2/878, 880, 881; D24/110.1
CPC A42B 5/00; A42B 3/18; A42B 3/20; A42B 1/046; A63B 71/08; A63B 71/10; A63B 71/105; A61F 9/04; A61F 9/06; A61F 9/029; A41D 13/11; A41D 13/1107; A41D 13/1161; A41D 13/1169; A41D 13/1176; A41G 7/00; A41G 7/02

See application file for complete search history.

(56) **References Cited**

U.S. PATENT DOCUMENTS

1,775,718 A 9/1930 Garvey
3,333,585 A 8/1967 Barghini
D210,181 S 2/1968 Solomon
3,603,315 A 9/1971 Becker, III
3,884,227 A 5/1975 Lutz et al.
4,419,993 A 12/1983 Petersen

4,635,628 A 1/1987 Hubbard et al.
4,867,148 A 9/1989 Gomez
4,920,960 A 5/1990 Hubbard et al.
4,941,470 A 7/1990 Hubbard
4,969,457 A * 11/1990 Hubbard A41D 13/1115
128/206.12
5,307,796 A 5/1994 Kronzer et al.
5,553,608 A 9/1996 Reese et al.

(Continued)

OTHER PUBLICATIONS

“3M Health Care”, 3M Coban Sterile Self Adherent Wraps and 3M Coban LF Latex Free Sterile Self-Adherent Wraps; Product Information; Copyright 2010; Unknown Publication Date but believed to be prior to filing of present application.

(Continued)

Primary Examiner — Elizabeth J Oswecki

(74) *Attorney, Agent, or Firm* — Philip H. Burrus, IV

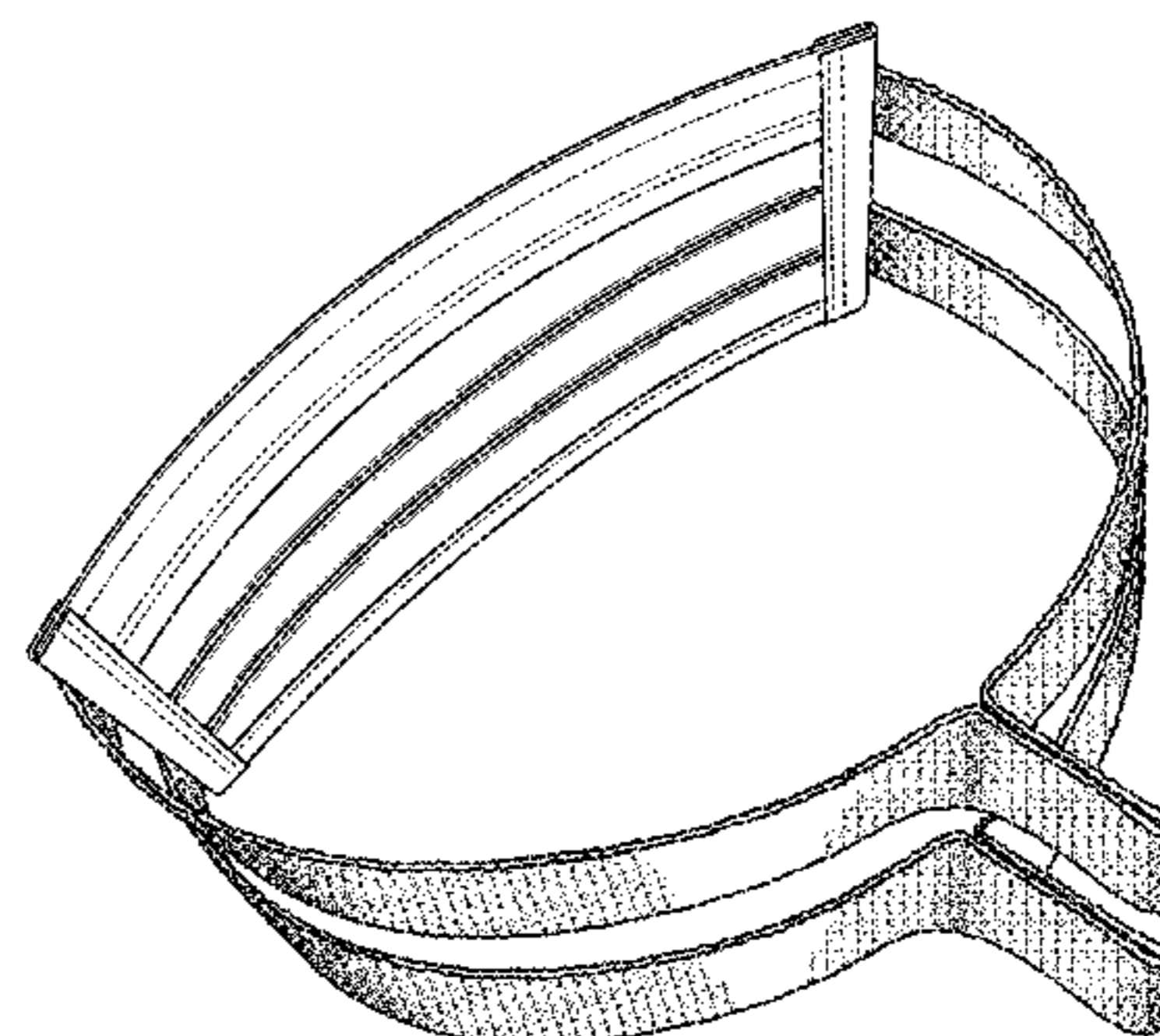
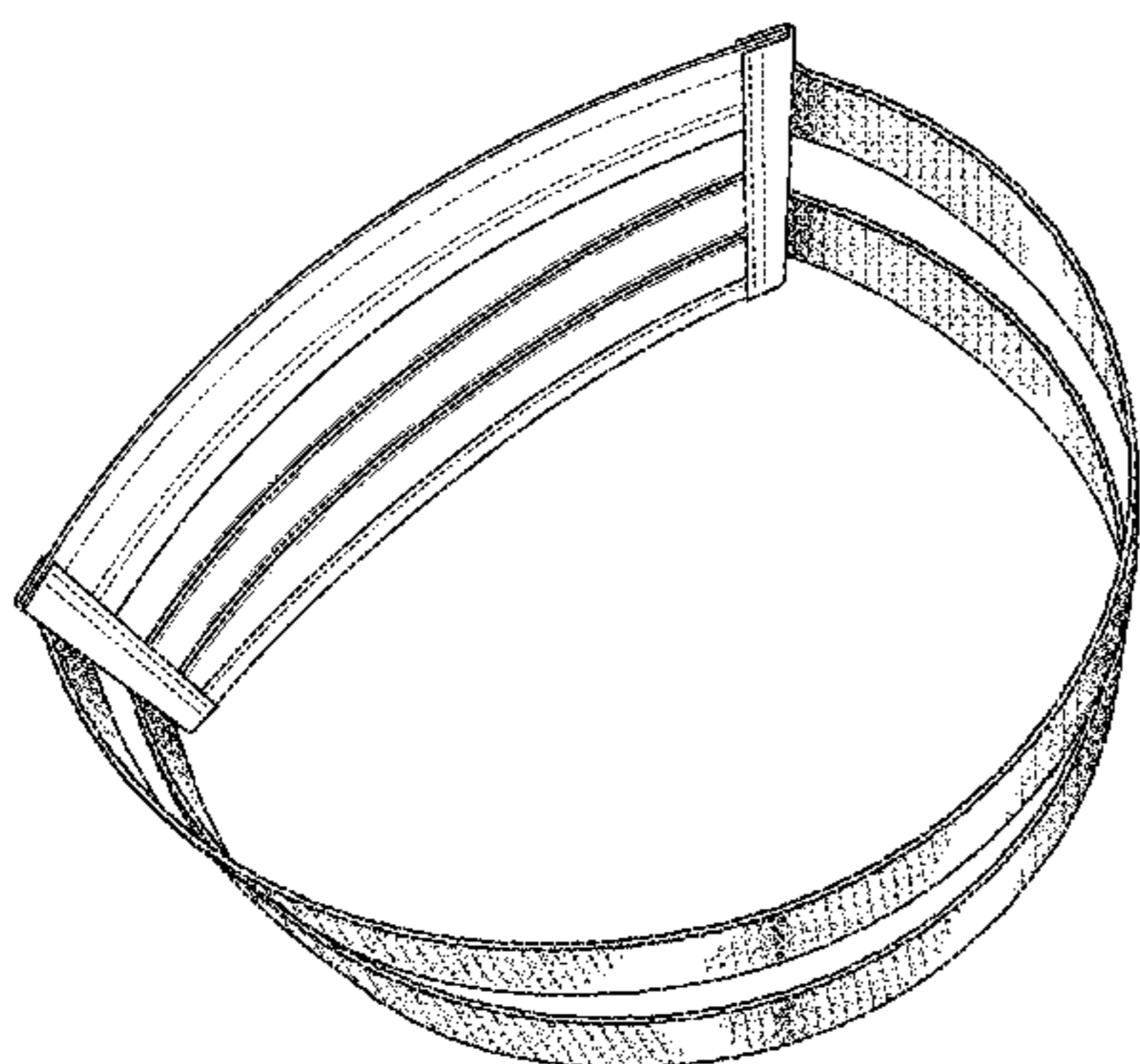
(57) **CLAIM**

The ornamental design for an adjustable mask, as shown and described.

DESCRIPTION

FIG. 1 is a perspective view of an adjustable mask, showing my new design in an unadjusted configuration; FIG. 2 is a left side elevation view thereof; FIG. 3 is a right side elevation view thereof; FIG. 4 is a rear elevation view thereof; FIG. 5 is a front elevation view thereof; FIG. 6 is a top plan view thereof; and FIG. 7 is a bottom plan view thereof. FIG. 8 is a perspective view thereof, shown in an adjusted configuration; FIG. 9 is a left side elevation view thereof; and FIG. 10 is a top plan view thereof. The broken lines shown on the adjustable mask, represent thread stitching.

1 Claim, 8 Drawing Sheets



(56)

References Cited

U.S. PATENT DOCUMENTS

D377,241 S 1/1997 Kenner
 5,636,628 A * 6/1997 Barnum A41D 13/1115
 128/206.12
 D383,537 S 9/1997 Lunden
 5,706,804 A * 1/1998 Baumann A41D 13/1115
 128/206.12
 5,803,075 A 9/1998 Yavitz
 5,813,398 A 9/1998 Baird et al.
 D400,674 S 11/1998 Miura
 5,842,470 A 12/1998 Ruben
 5,891,508 A * 4/1999 Barnum A41D 13/1115
 128/206.12
 5,927,280 A * 7/1999 Miyake A41D 13/1115
 128/206.12
 5,939,339 A 8/1999 Delmore et al.
 D420,769 S 2/2000 White
 6,062,220 A * 5/2000 Whitaker A41D 13/11
 128/206.12
 6,394,090 B1 5/2002 Chen et al.
 D493,920 S 8/2004 Hillman
 D511,209 S 11/2005 Callan
 7,004,167 B2 2/2006 Cheng
 D520,189 S 5/2006 Hillman
 7,044,127 B1 5/2006 Fernandez DeCastro
 D530,418 S 10/2006 Henry
 D533,686 S 12/2006 Hillman
 D536,834 S 2/2007 Hillman
 D537,210 S 2/2007 Hillman
 D537,572 S 2/2007 Hillman
 D539,484 S 3/2007 Hillman
 7,290,545 B2 * 11/2007 Kleman A41D 13/1115
 128/206.12
 D636,537 S 4/2011 Ladua
 D638,171 S 5/2011 Goranov et al.
 D640,011 S 6/2011 Teng
 8,066,006 B2 * 11/2011 Daugaard A41D 13/11
 128/205.27
 D654,250 S * 2/2012 Kaufman D2/876
 8,171,933 B2 * 5/2012 Xue A62B 23/025
 128/206.12
 8,342,180 B2 * 1/2013 Martin A62B 23/025
 128/206.12
 D681,881 S 5/2013 Pong
 D693,062 S 11/2013 Bowen et al.
 D737,002 S 8/2015 Olson
 9,386,813 B2 * 7/2016 Nagao A41D 13/1115
 D777,988 S 1/2017 Miros
 D782,029 S * 3/2017 Kuhn D24/110.1
 9,655,392 B2 * 5/2017 Mekler A41D 13/1123
 9,770,058 B2 * 9/2017 Angadjivand A41D 13/113
 D803,391 S 11/2017 Reese et al.
 9,868,002 B2 1/2018 Duffy

D822,195 S * 7/2018 Kwong D24/110.1
 2002/0052570 A1 5/2002 Naimer
 2004/0173216 A1 9/2004 Park
 2005/0058816 A1 3/2005 Gorres
 2008/0295843 A1 12/2008 Haas
 2009/0205666 A1 * 8/2009 Bowen A41D 13/1107
 128/206.13
 2009/0320849 A1 12/2009 Biedermann
 2010/0218774 A1 9/2010 Flaherty
 2011/0308525 A1 * 12/2011 Lu A41D 13/1115
 128/206.19
 2012/0272973 A1 11/2012 Palomo et al.
 2014/0076334 A1 * 3/2014 Cheng A61B 46/00
 128/857
 2014/0182600 A1 * 7/2014 Duffy A41D 13/1115
 128/863
 2014/0224261 A1 * 8/2014 Tsuei A62B 23/025
 128/863
 2014/0237695 A1 * 8/2014 Al Malki A41D 13/11
 2/9
 2014/0326255 A1 * 11/2014 Teng A41D 13/1115
 128/863
 2015/0056102 A1 * 2/2015 Yamada B01D 39/16
 422/120
 2015/0216241 A1 * 8/2015 Lee A41D 13/1192
 128/863
 2016/0015098 A1 * 1/2016 Conlon A62B 23/025
 128/863
 2016/0029715 A1 * 2/2016 Zheng A41D 13/11
 128/863
 2016/0029716 A1 * 2/2016 Duncan A41D 13/11
 128/863
 2016/0151650 A1 * 6/2016 Reese A41D 13/1161
 128/863
 2016/0235136 A1 8/2016 Palomo et al.
 2016/0310327 A1 10/2016 Rule et al.
 2017/0079868 A1 3/2017 Reid, Jr. et al.

OTHER PUBLICATIONS

Braswell, Melanie et al., "Implementing AORN Recommended Practices for Surgical Attired", AORN Journal, Jan. 2012; Published in AORN's Perioperative Standards and Recommended Practices in Nov. 2010.
 Ingris-Arkell, Esther, "How does cling wrap work", Gizmodo Article; View Apr. 20, 2017; Originally posted Jun. 3, 2011; <http://gizmodo.com/5807661/how-does-cling-wrap-cling>.
 Oswecki, Elizabeth, "Notice of Allowance", U.S. Appl. No. 29/603,744; filed May 11, 2017; dated Aug. 14, 2018.
 Spruce, Lisa et al., "Guideline for Surgical Attire", Guidelines for Perioperative Practice, 2015 edition; Aseptic Practice; Originally Published Mar. 1975 in AORN Journal.

* cited by examiner

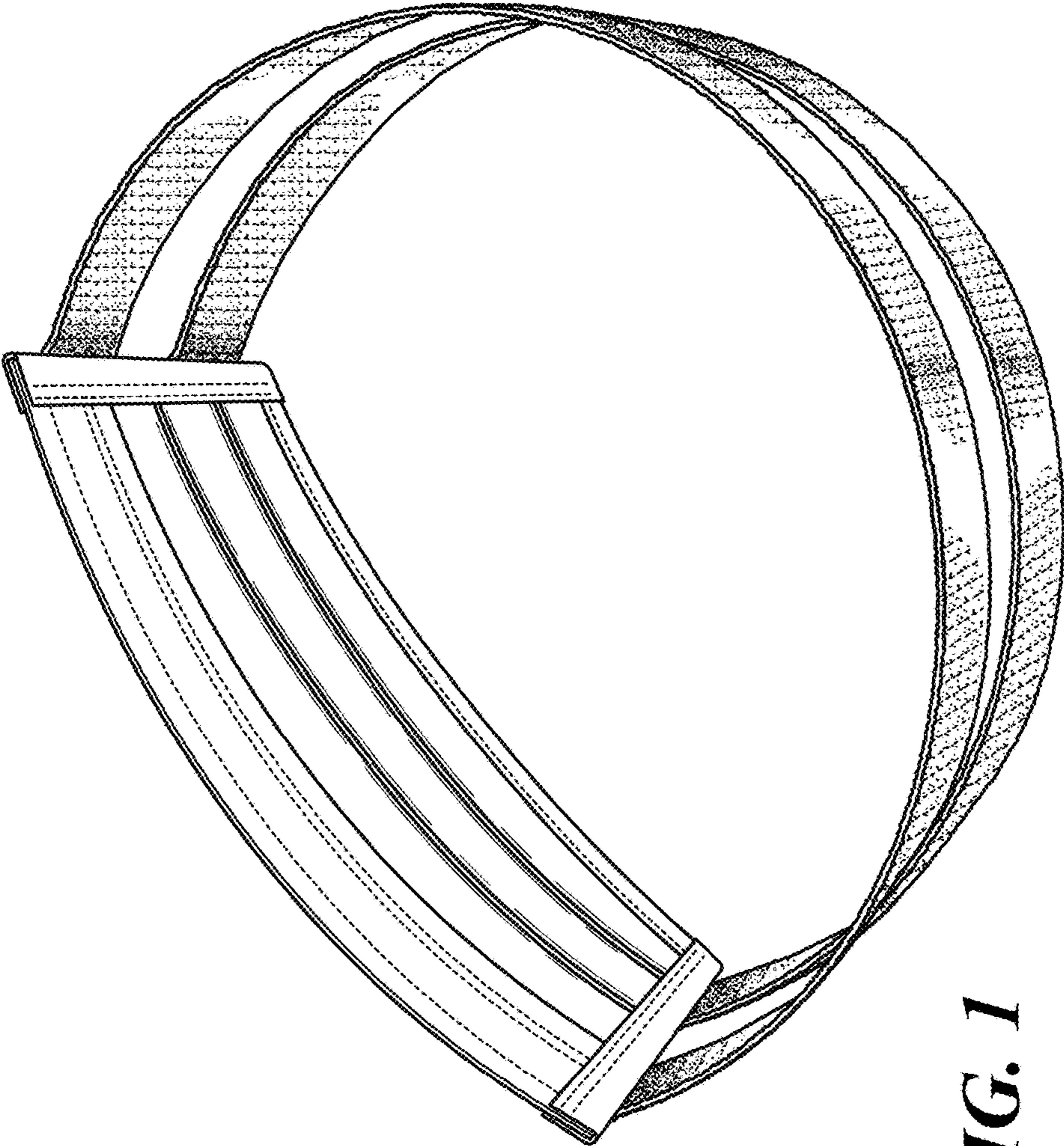


FIG. 1

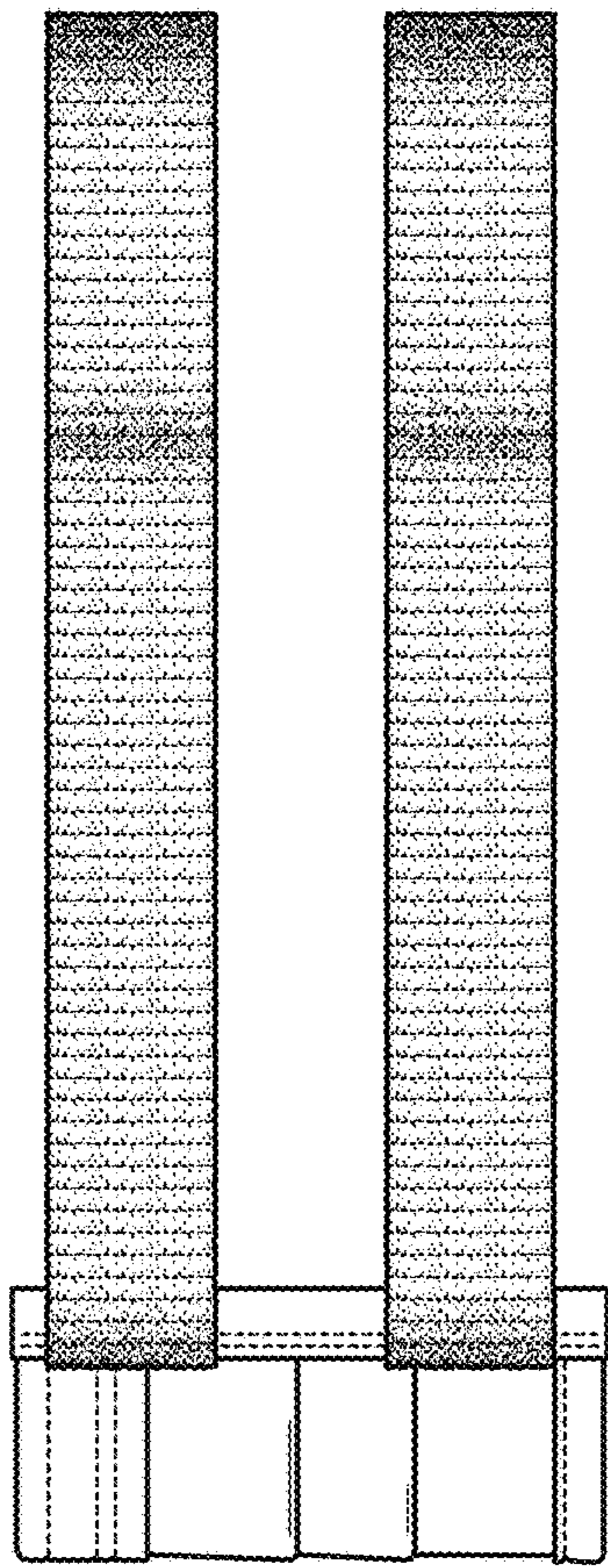


FIG. 2

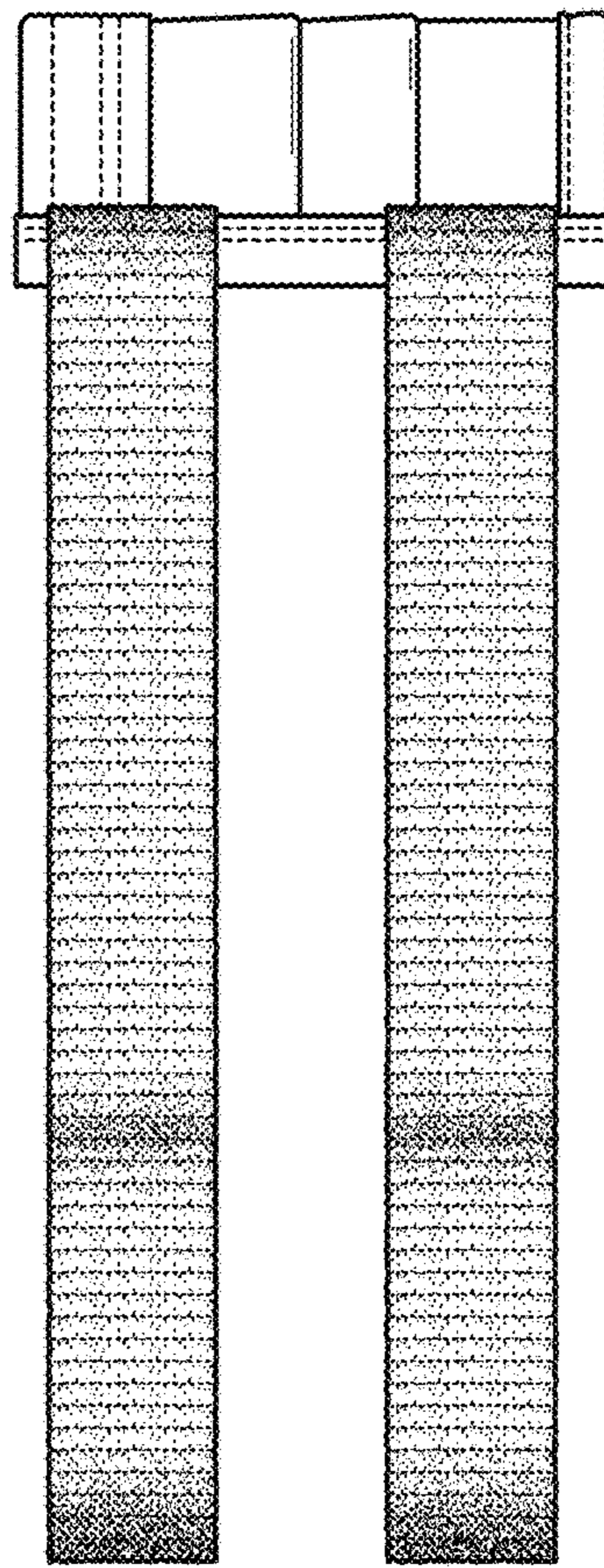


FIG. 3

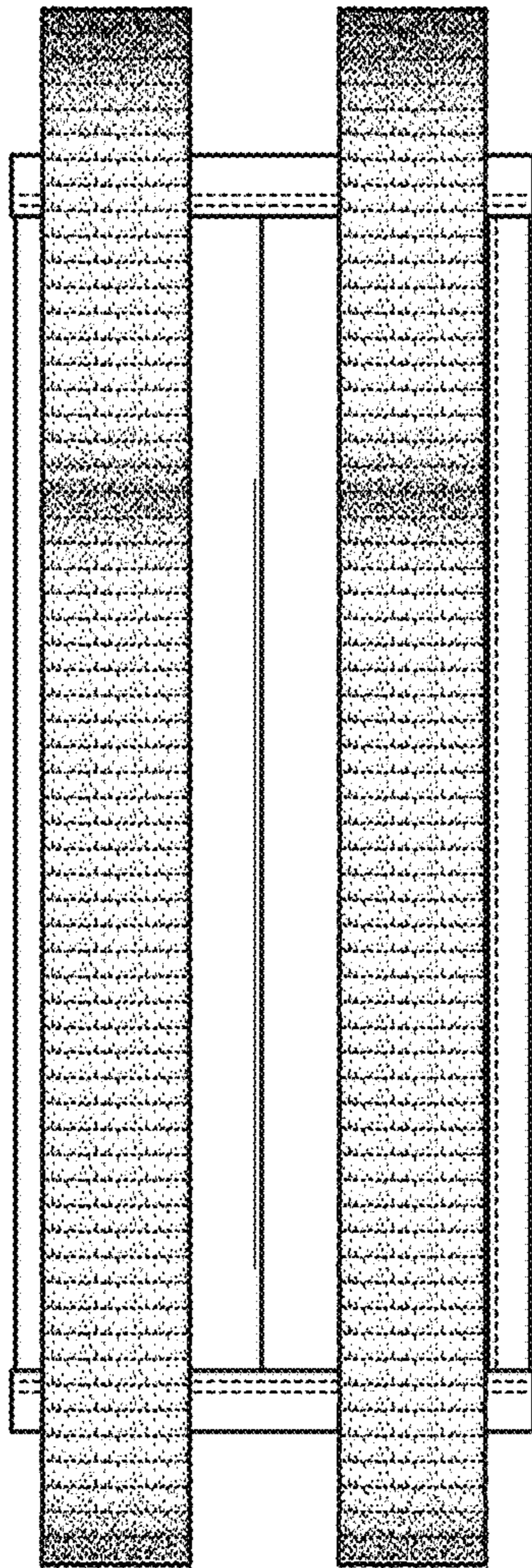


FIG. 4

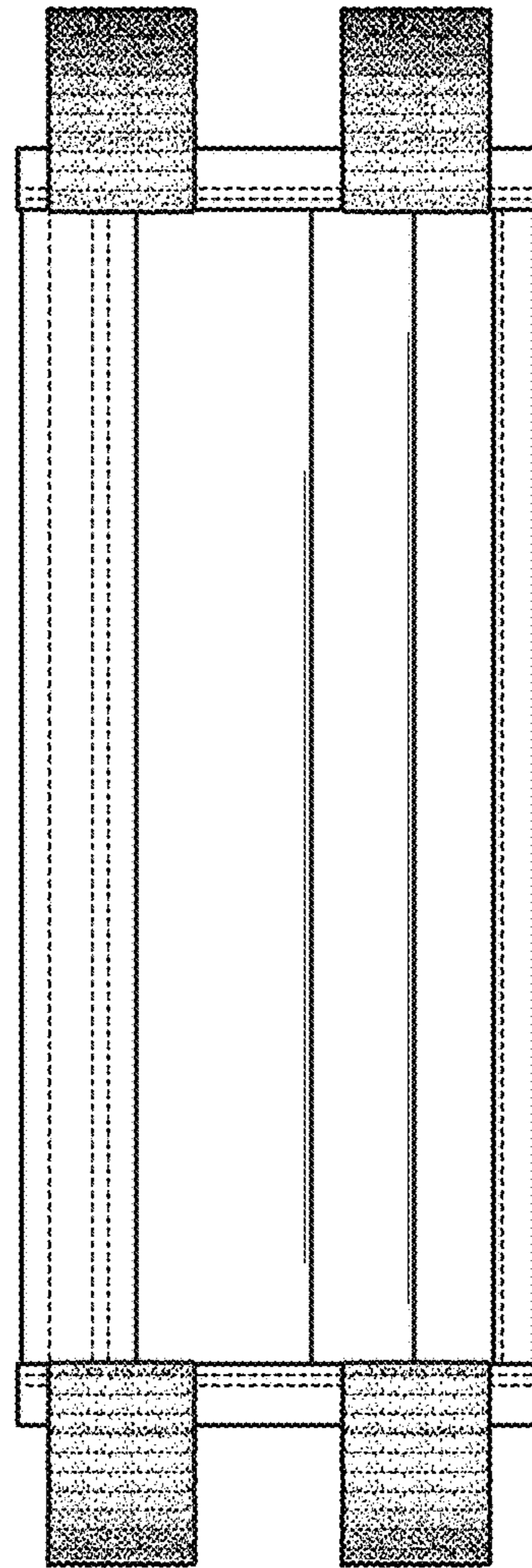


FIG. 5

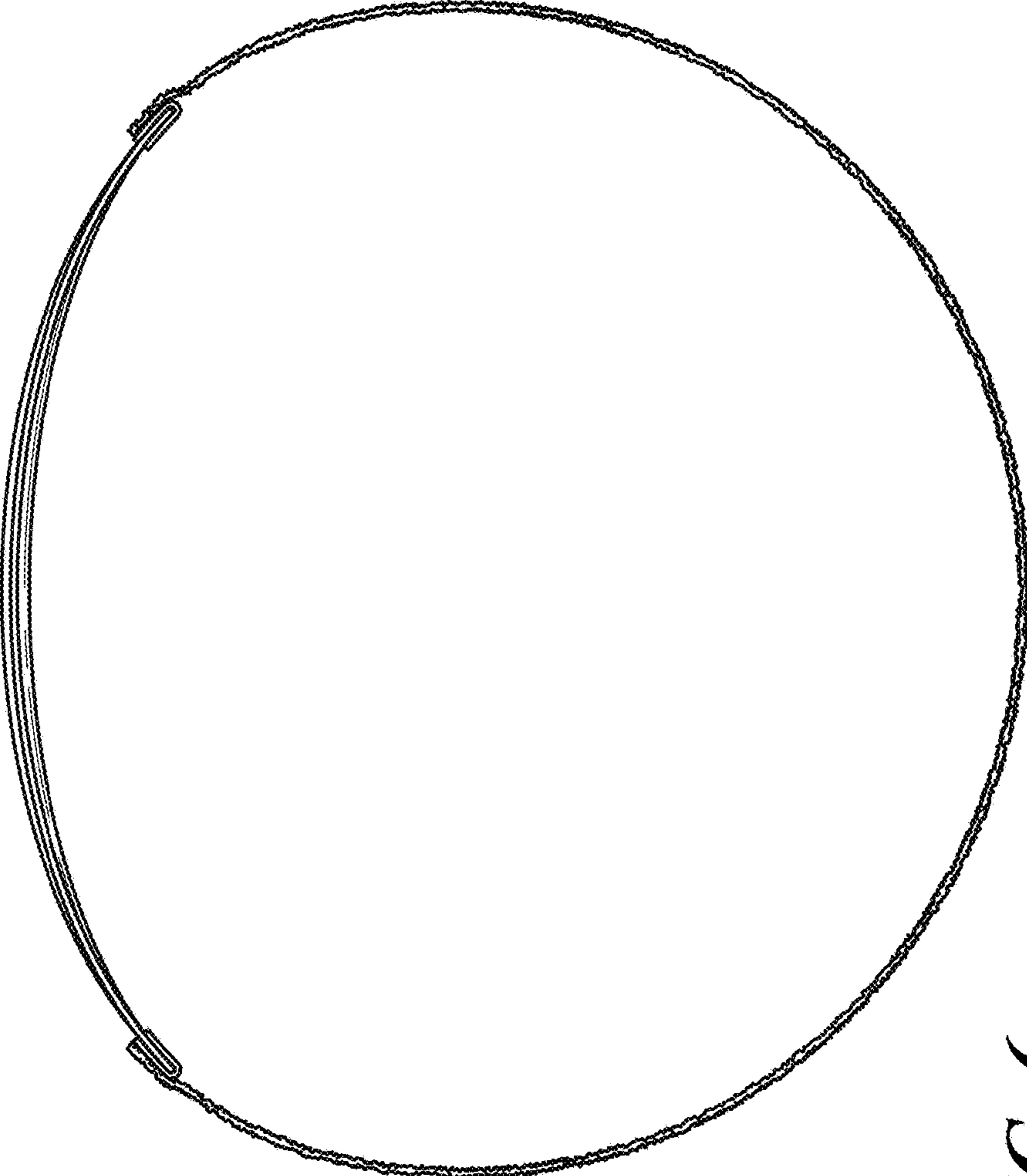


FIG. 6

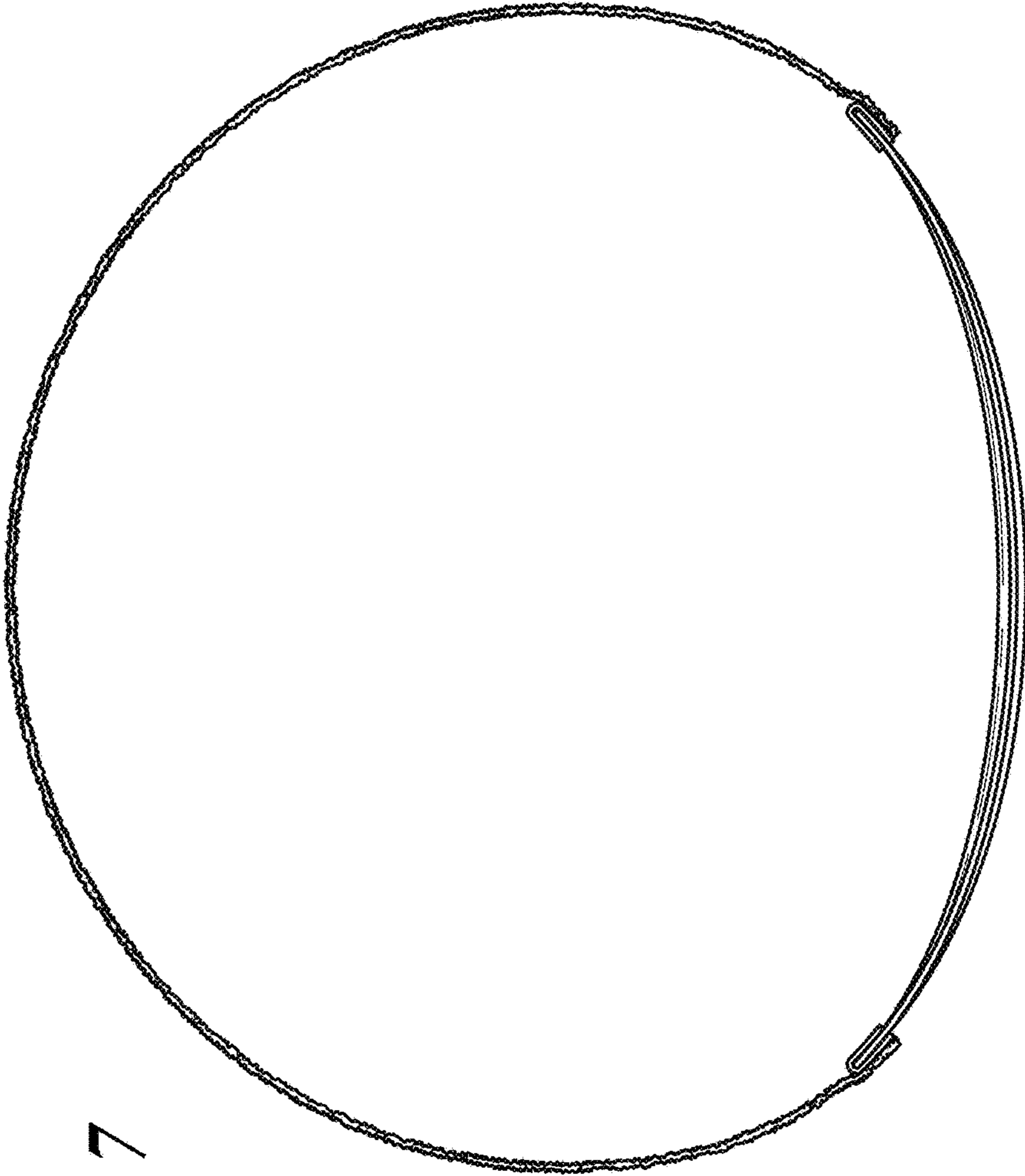


FIG. 7

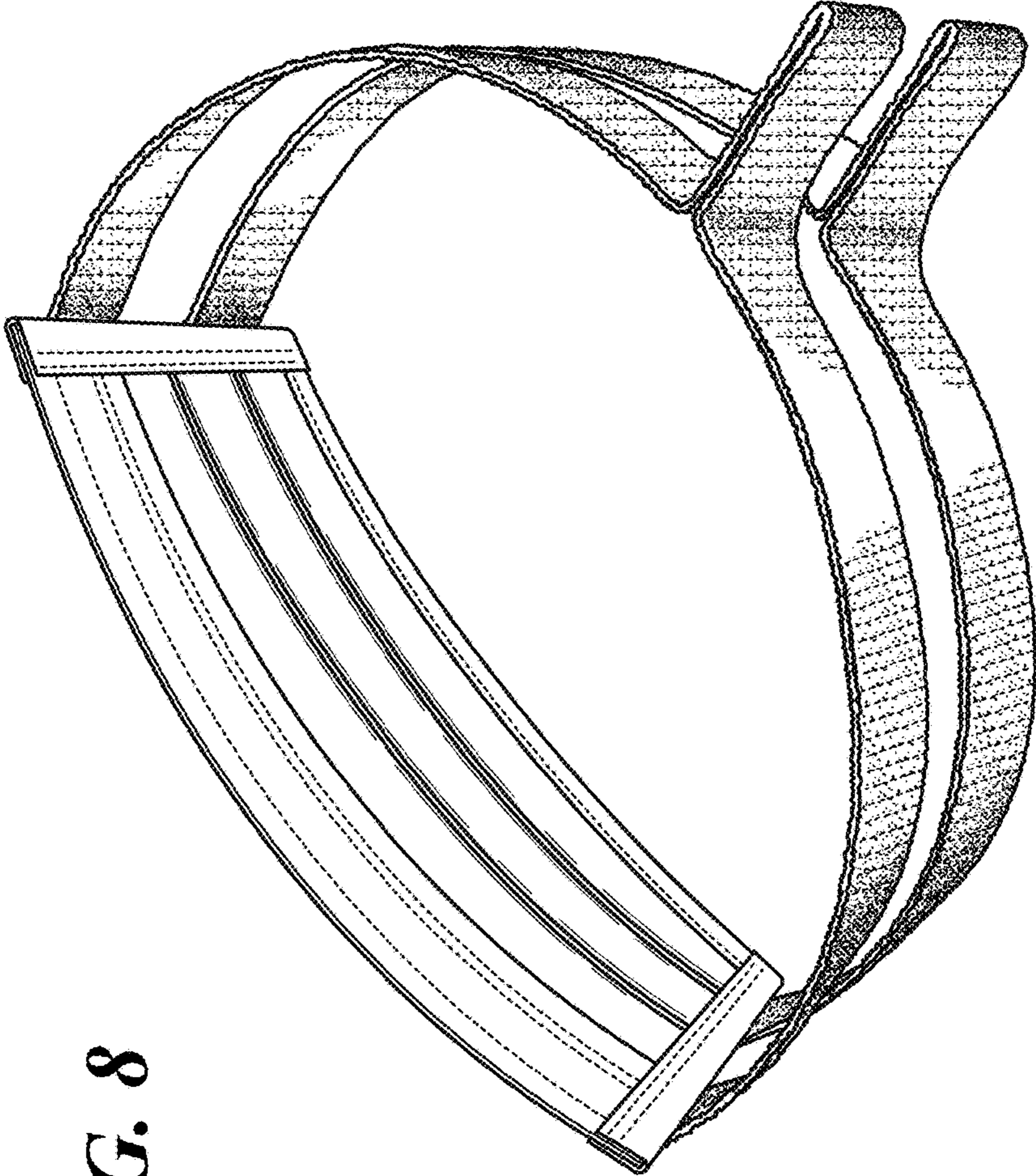


FIG. 8

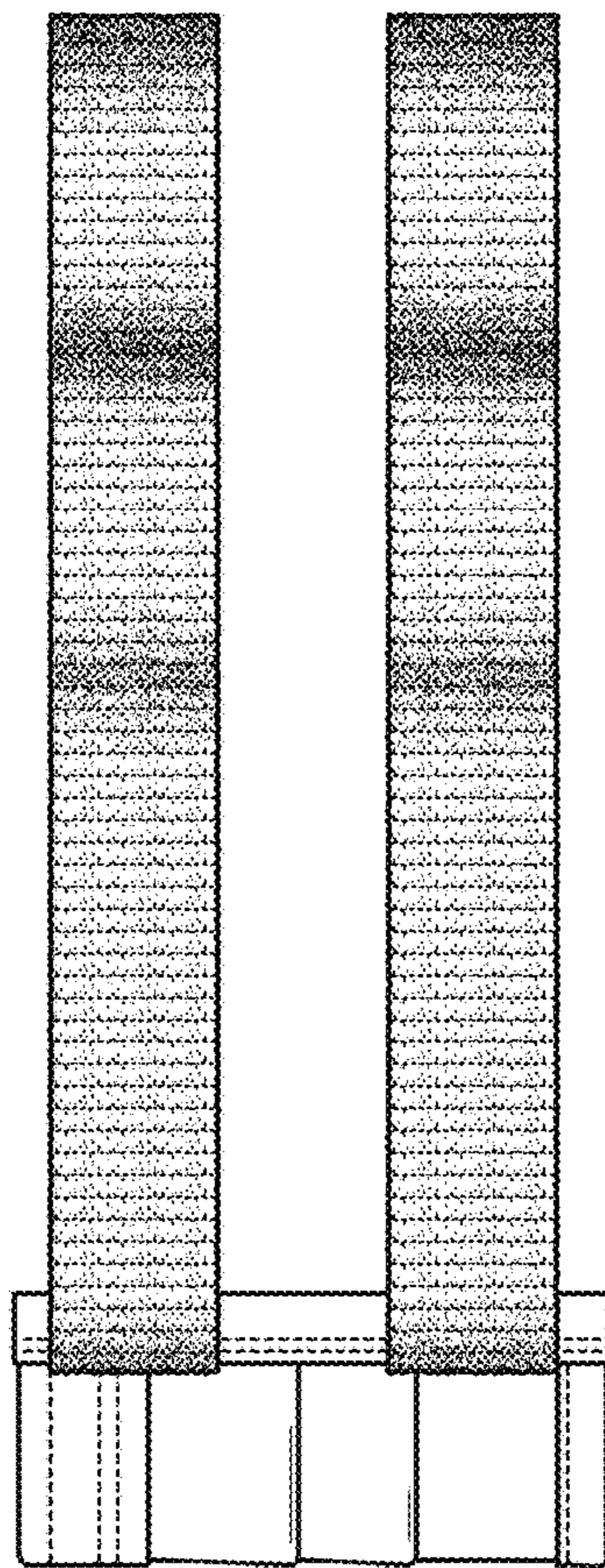


FIG. 9

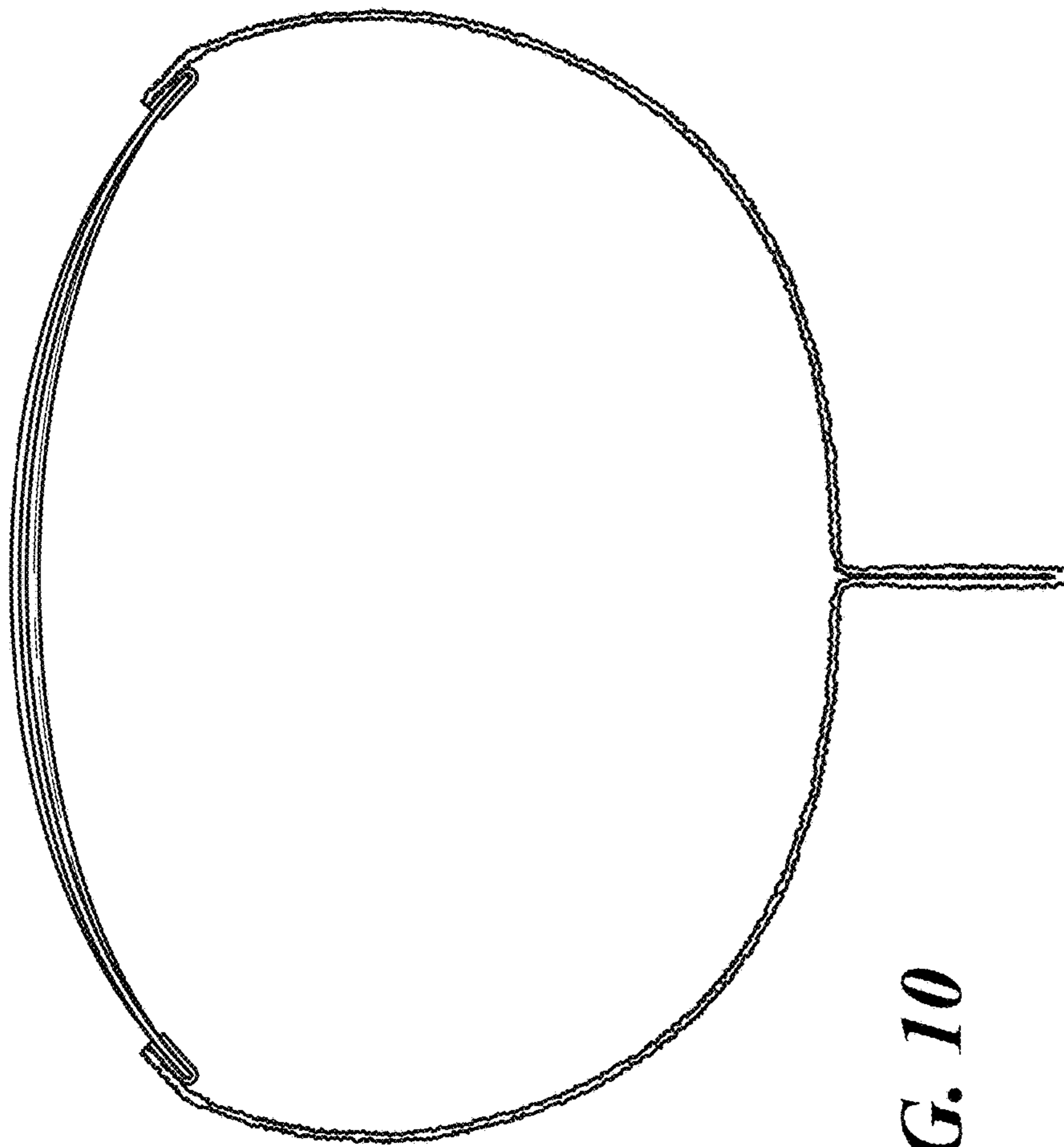


FIG. 10