



US00D848676S

(12) **United States Design Patent** (10) **Patent No.:** **US D848,676 S**  
**Aulwes et al.** (45) **Date of Patent:** **\*\* May 14, 2019**

(54) **SWITCH FOR A HAIR CUTTING DEVICE**  
(71) Applicant: **WAHL CLIPPER CORPORATION**,  
Sterling, IL (US)  
(72) Inventors: **Chad Aulwes**, Sterling, IL (US);  
**Dustin Taylor**, Ridott, IL (US); **Steven**  
**Arndt**, Geneseo, IL (US)  
(73) Assignee: **WAHL CLIPPER CORPORATION**,  
Sterling, IL (US)

7,621,011 B2 11/2009 Smith et al.  
D645,005 S \* 9/2011 Menheere ..... D13/171  
8,276,279 B2 10/2012 Heckman et al.  
D675,782 S 2/2013 Buck, Jr.  
D715,490 S 10/2014 Aulwes et al.  
D722,202 S 2/2015 Erickson et al.  
D722,203 S 2/2015 Erickson et al.  
D726,371 S 4/2015 Erickson et al.  
(Continued)

(\*\*) Term: **15 Years**

(21) Appl. No.: **29/617,288**

(22) Filed: **Sep. 13, 2017**

(51) **LOC (11) Cl.** ..... **28-03**

(52) **U.S. Cl.**  
USPC ..... **D28/54**; D8/310; D13/171

(58) **Field of Classification Search**  
USPC ..... D28/49-54; D13/169-171, 174; D8/310,  
D8/312, DIG. 2  
CPC ..... B26B 19/00-19/08; B26B 19/10-19/107;  
B26B 19/20-19/205; B26B  
19/38-19/3833; B26B 19/3853-19/3866;  
B26B 19/3886

See application file for complete search history.

(56) **References Cited**

U.S. PATENT DOCUMENTS

D99,244 S \* 4/1936 Lapteff ..... D8/310  
D384,572 S \* 10/1997 Ongaro ..... D8/312  
5,787,587 A 8/1998 Wahl et al.  
D497,452 S \* 10/2004 Nielsen ..... D28/53  
D500,744 S \* 1/2005 Michaud ..... D13/169  
7,281,461 B2 \* 10/2007 McCambridge ..... B26B 19/063  
30/528  
D555,605 S \* 11/2007 Parnell ..... D13/171  
D564,333 S \* 3/2008 McConnell ..... D8/310  
D577,865 S \* 9/2008 Long ..... D28/54  
D600,997 S \* 9/2009 McConnell ..... D8/310

OTHER PUBLICATIONS

US 5,658,740 A1, 12/2003, Habben (withdrawn)

*Primary Examiner* — Jennifer Rivard

(74) *Attorney, Agent, or Firm* — Greer, Burns & Crain,  
Ltd.

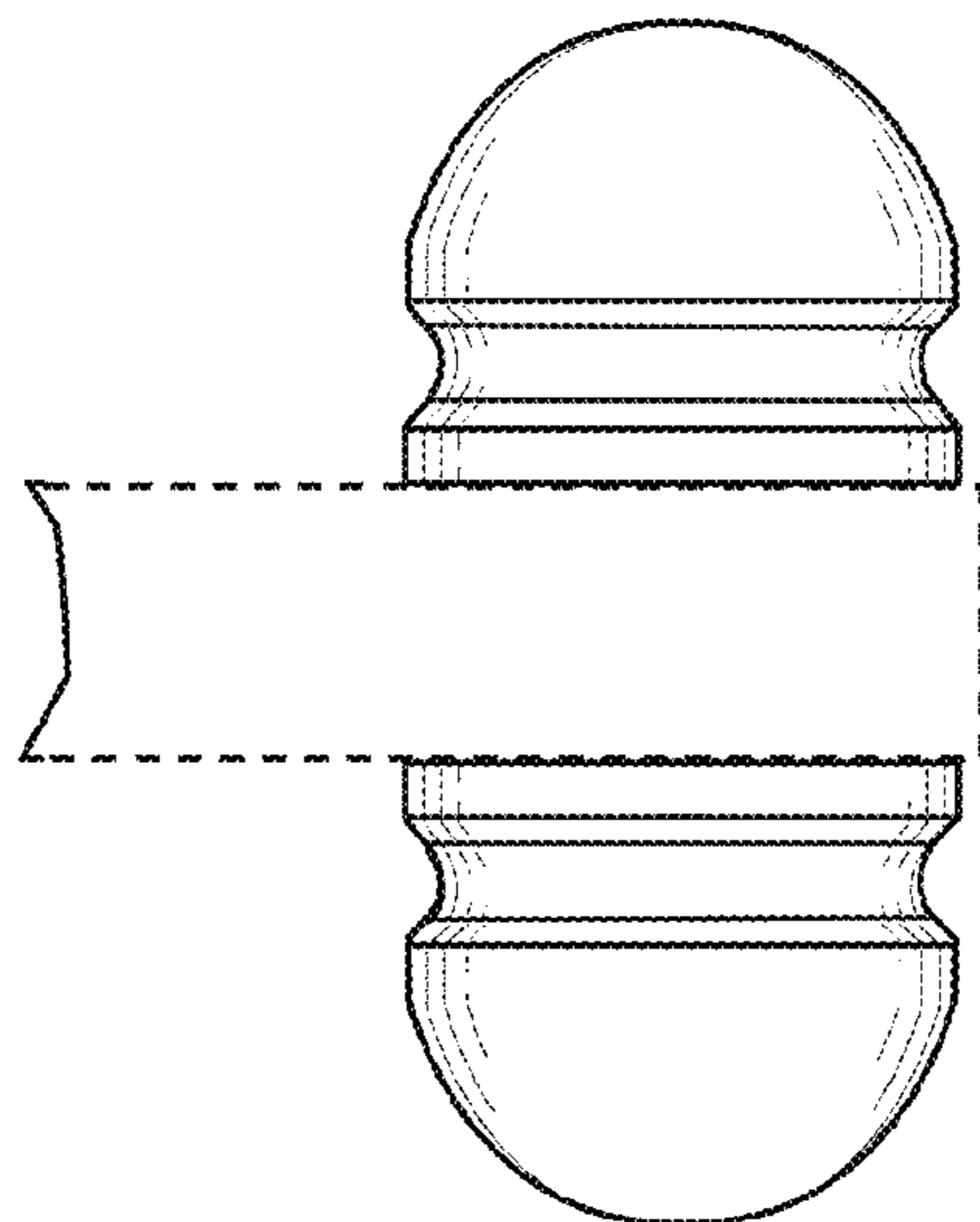
(57) **CLAIM**

The ornamental design for the switch for a hair cutting  
device, as shown and described.

**DESCRIPTION**

FIG. 1 is a top perspective view of the present switch for a  
hair cutting device;  
FIG. 2 is a left side view of same;  
FIG. 3 is a right side view of the switch for a hair cutting  
device of FIG. 1;  
FIG. 4 is a front view of same;  
FIG. 5 is a top view of the switch for a hair cutting device  
of FIG. 1;  
FIG. 6 is a bottom view of same; and,  
FIG. 7 is a top perspective view of the present switch for a  
hair cutting device shown mounted on a hair cutting device,  
the latter shown in broken lines.  
The broken line disclosure of a hair cutting device in FIG.  
7 illustrates the environment and forms no part of the  
claimed design. The broken lines shown throughout the  
remaining figures illustrate a portion of the switch that forms  
no part of the claimed design.

**1 Claim, 3 Drawing Sheets**



(56)

**References Cited**

U.S. PATENT DOCUMENTS

9,038,276 B2 *	5/2015	Arndt .....	B26B 19/3866 30/208
D751,760 S	3/2016	Zachrich et al.	
9,346,179 B2 *	5/2016	Ziegler .....	B26B 19/06
D787,297 S *	5/2017	Zimmer .....	D8/310
D790,132 S	6/2017	Aulwes et al.	
D790,133 S *	6/2017	Aulwes .....	D28/54
D800,389 S	10/2017	Fleming et al.	
D820,521 S *	6/2018	Nitsch .....	D28/53
2005/0097757 A1 *	5/2005	McCambridge .....	B26B 19/063 30/210

\* cited by examiner

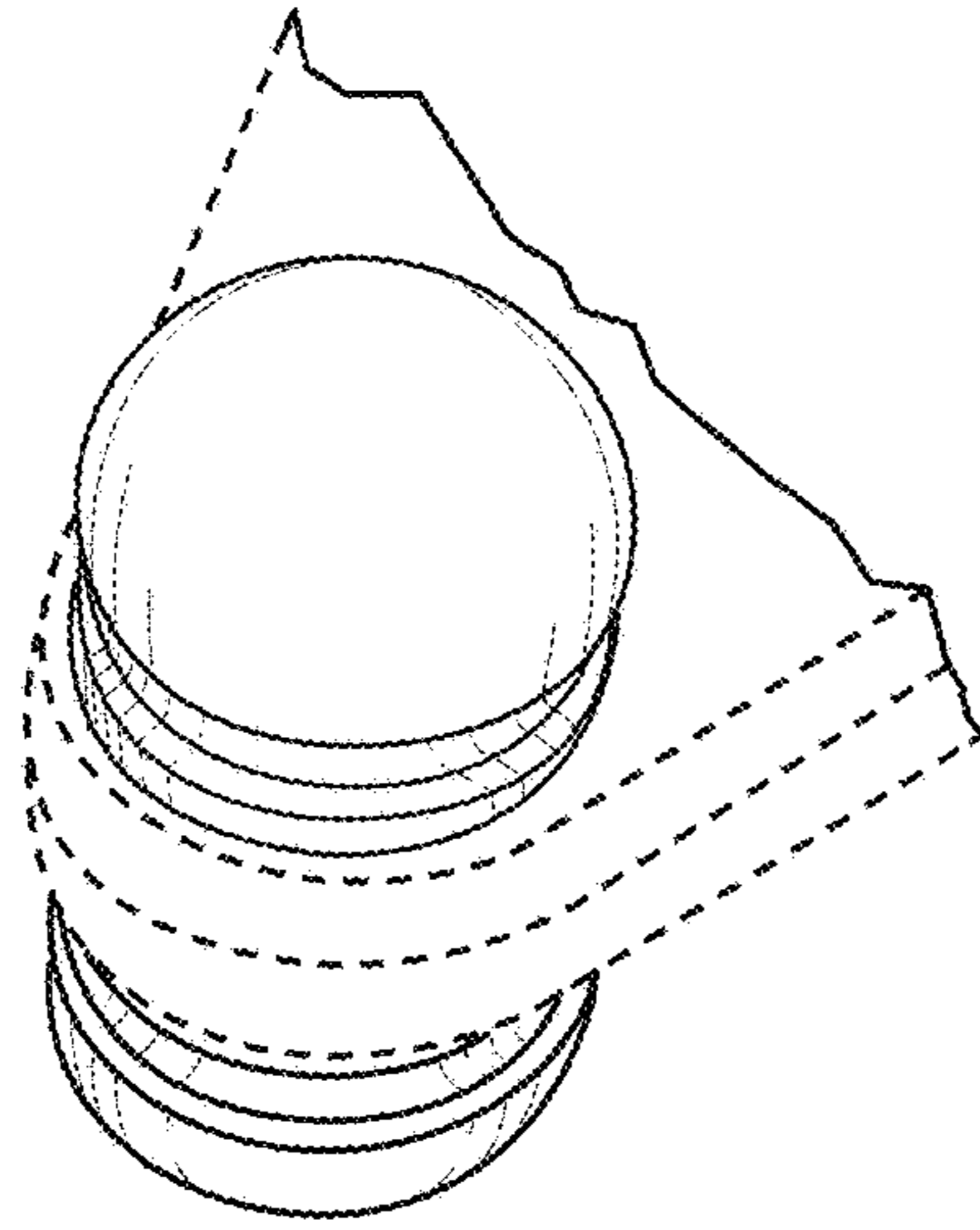


FIG. 1

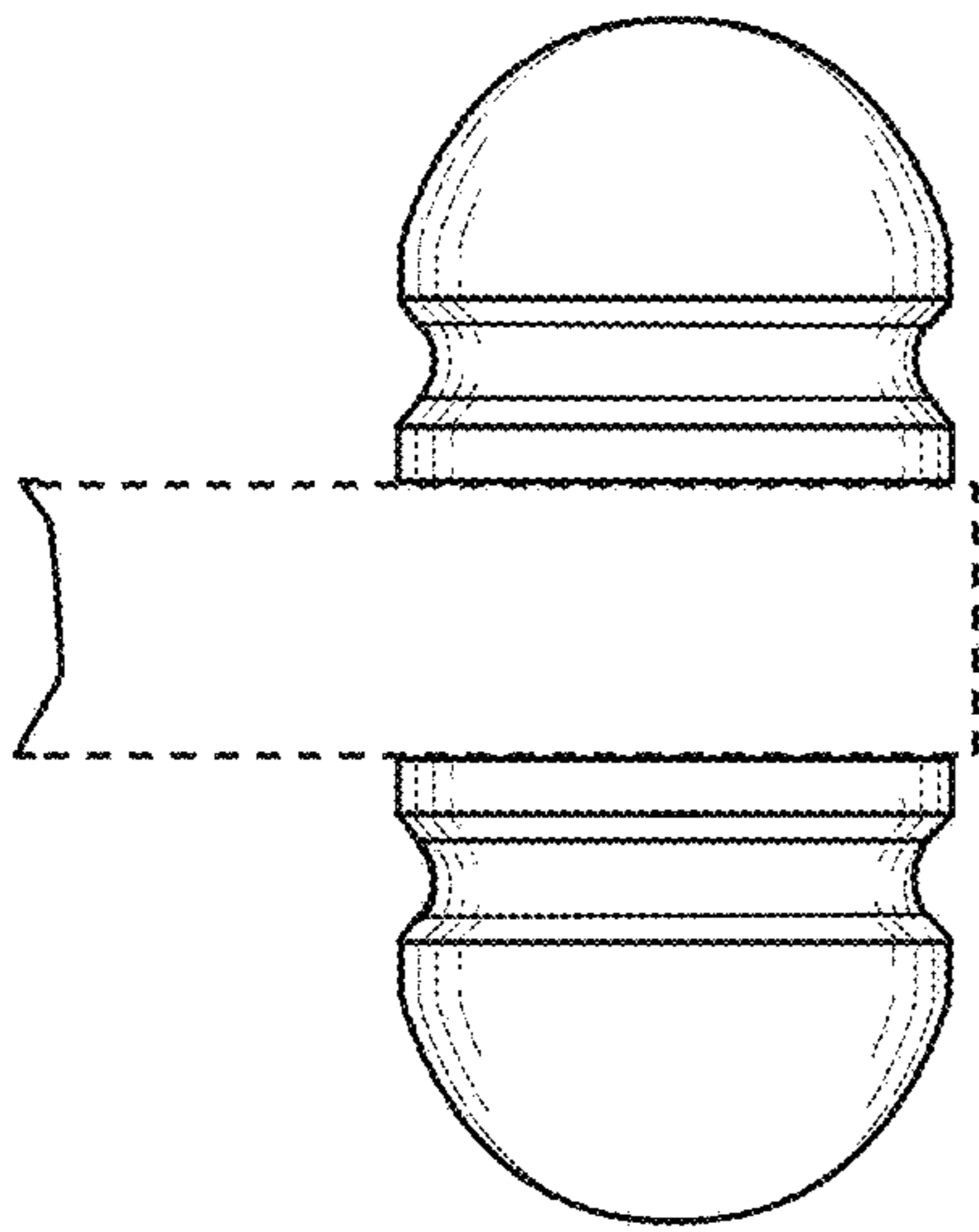


FIG. 2

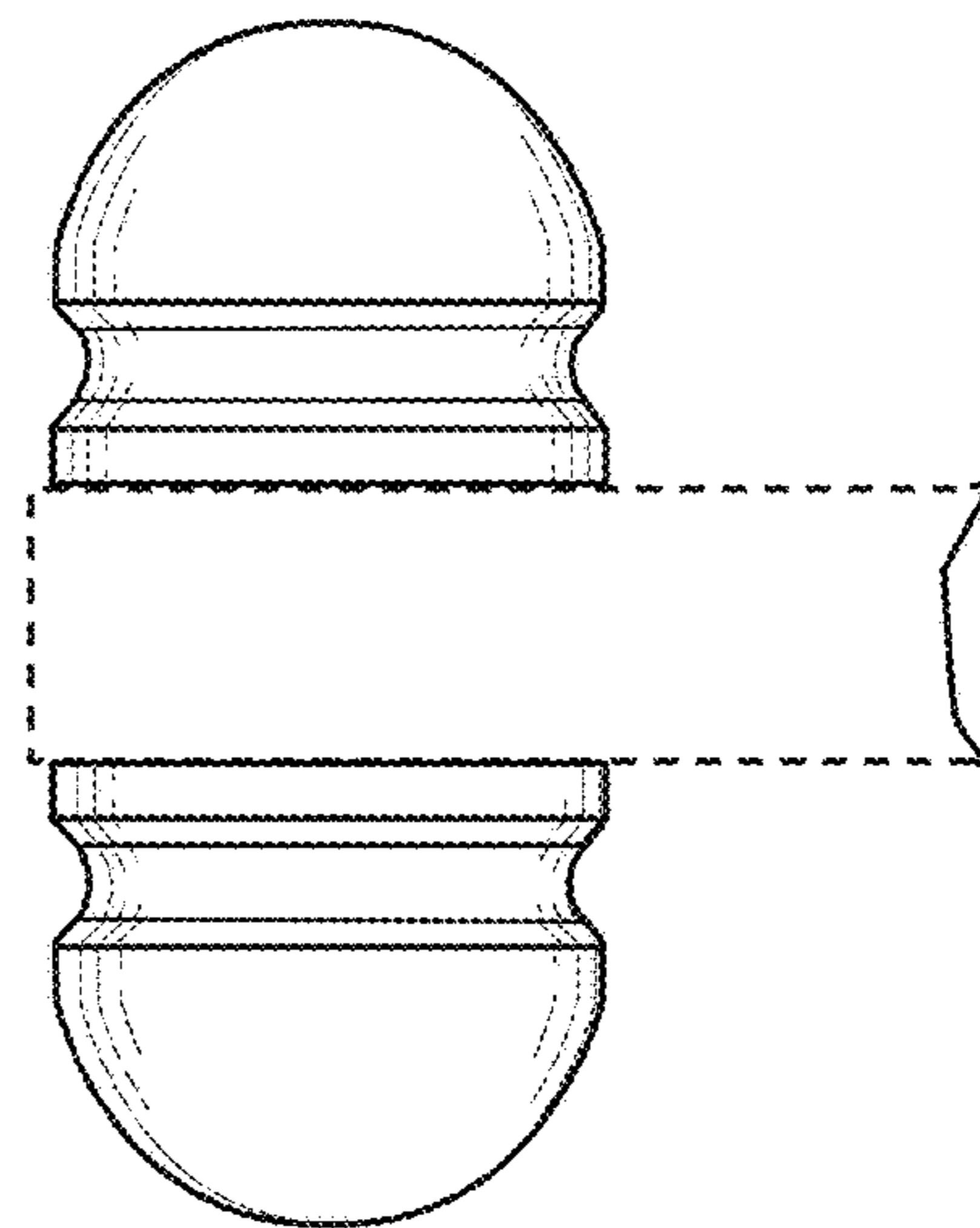


FIG. 3

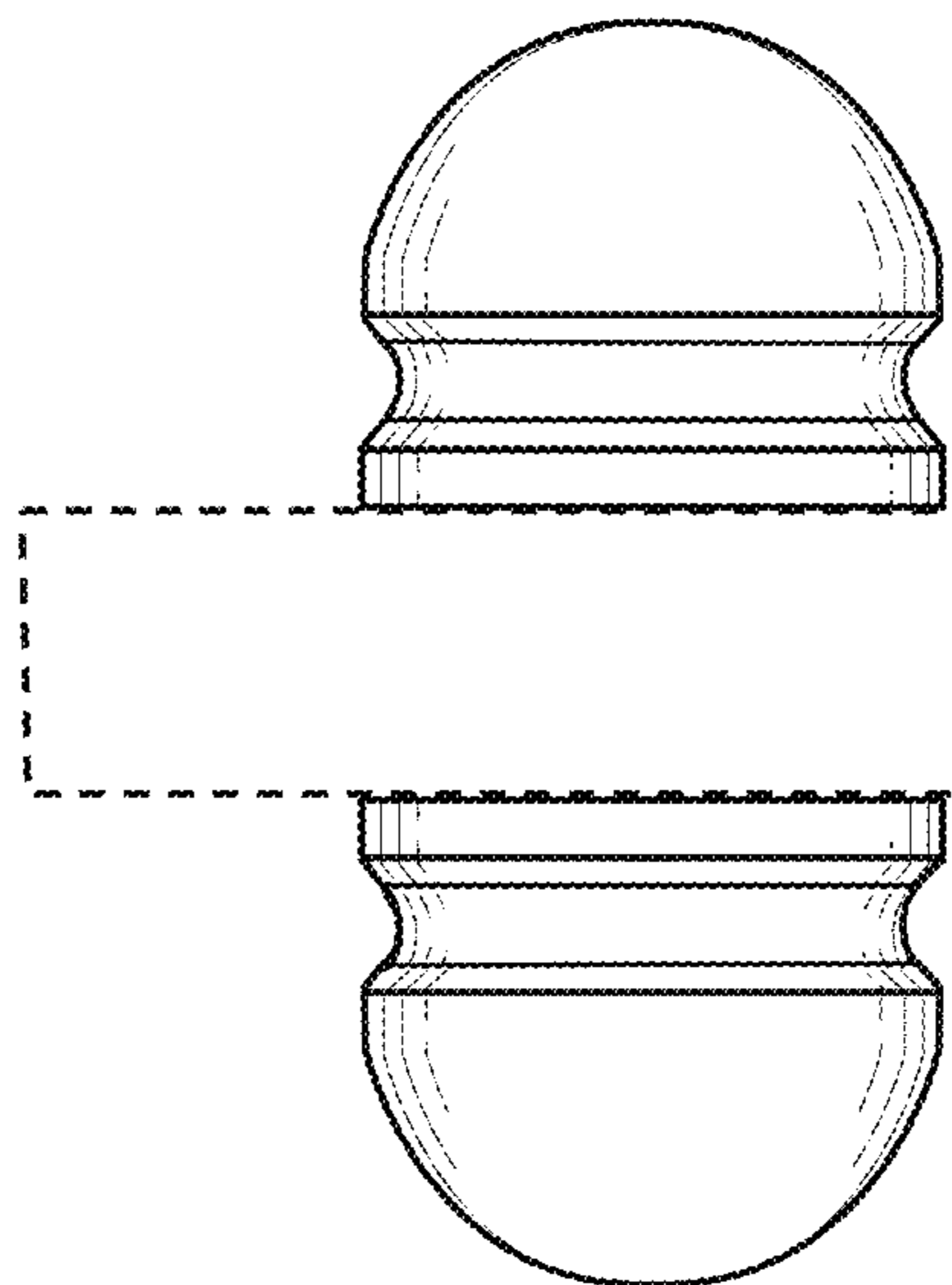


FIG. 4

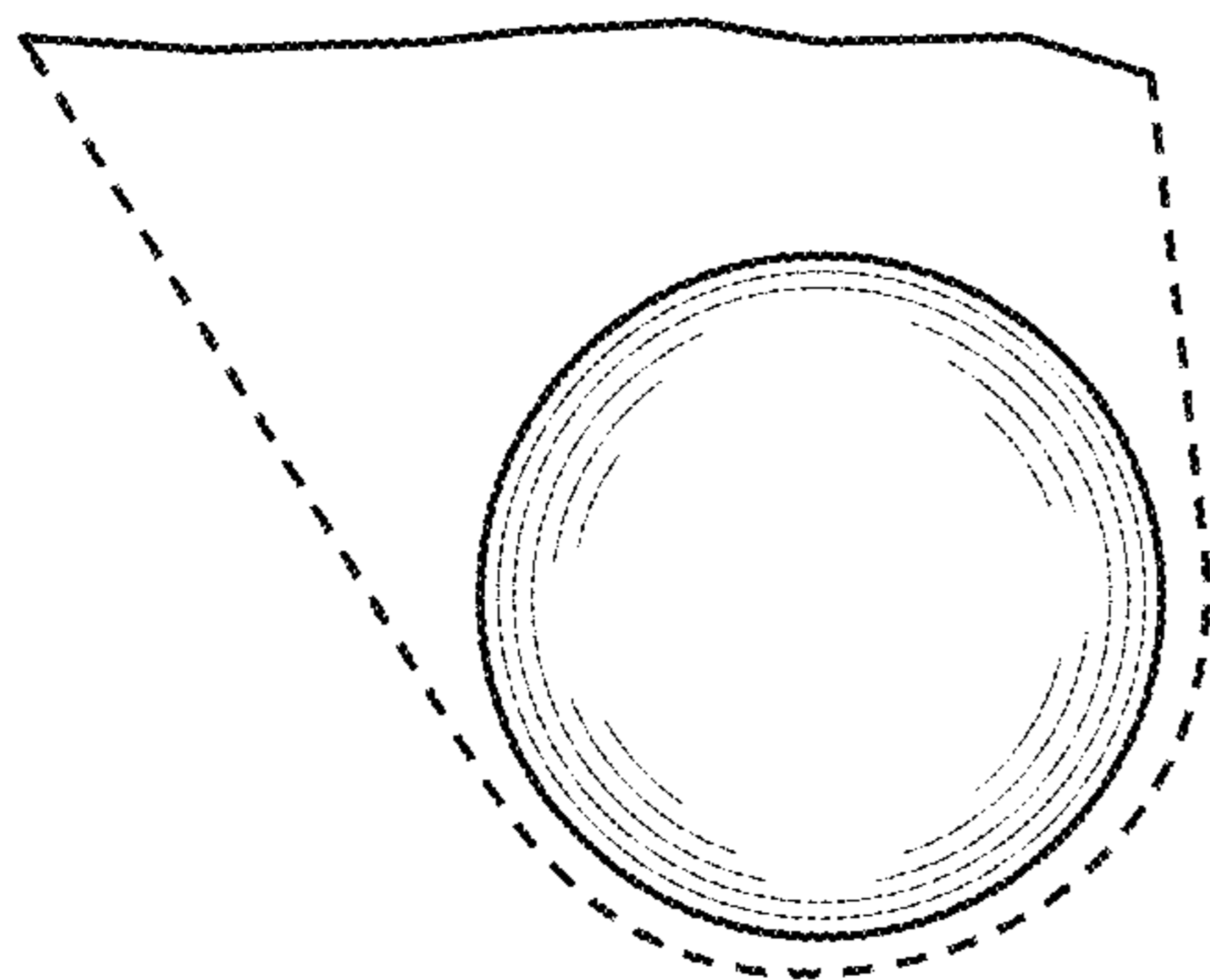


FIG. 5

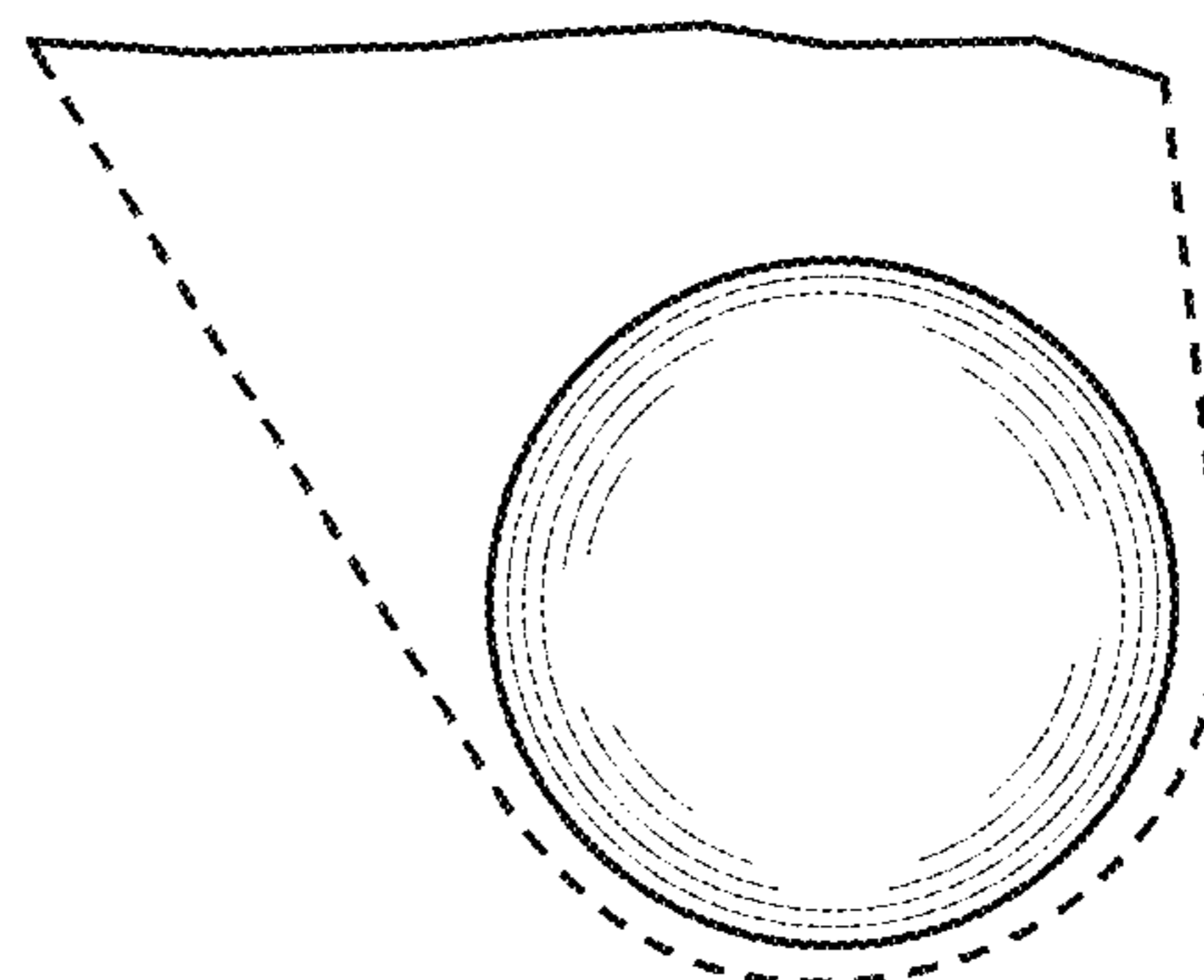


FIG. 6

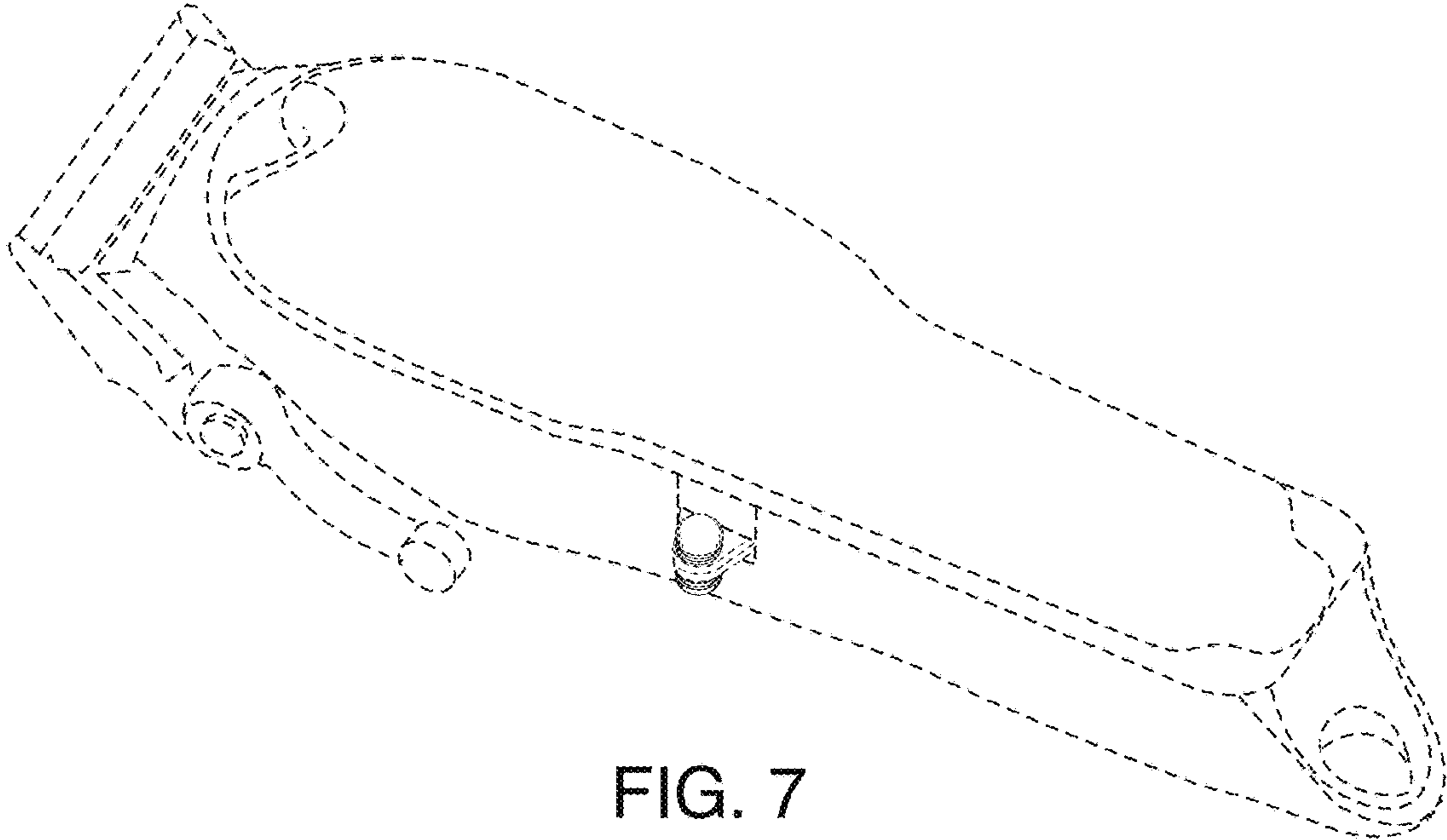


FIG. 7