



US00D848674S

(12) **United States Design Patent** (10) **Patent No.:** **US D848,674 S**
Zu (45) **Date of Patent:** **** May 14, 2019**

(54) **PERMANENT MAKE-UP DEVICE**
(71) Applicant: **Xupeng Zu**, Guangdong (CN)
(72) Inventor: **Xupeng Zu**, Guangdong (CN)
(**) Term: **15 Years**
(21) Appl. No.: **29/604,495**
(22) Filed: **May 18, 2017**
(51) **LOC (11) Cl.** **24-02**
(52) **U.S. Cl.**
USPC **D28/7; D24/144**
(58) **Field of Classification Search**
USPC D28/7, 8; D24/140–146, 168, 187, 189,
D24/190; D30/161; D19/164–166
CPC . A61K 8/99; A61K 8/042; A61K 8/34; A61K
8/245; A61K 8/19
See application file for complete search history.

2014/0328611 A1* 11/2014 Ishida A45D 34/04
401/184
2016/0271338 A1* 9/2016 Fournier A61M 5/3202
2016/0354592 A1* 12/2016 Juan A61M 37/0076

OTHER PUBLICATIONS

Metro Korea semi-permanent makeup device found online [May 24, 2018]—https://www.alibaba.com/product-detail/Semi-permanent-makeup-device-tattoo-device_50029445798.html.*

* cited by examiner

Primary Examiner — Lakiya G Rogers
Assistant Examiner — John A Voytek

(57) **CLAIM**

The ornamental design for a permanent makeup device, as shown and described.

DESCRIPTION

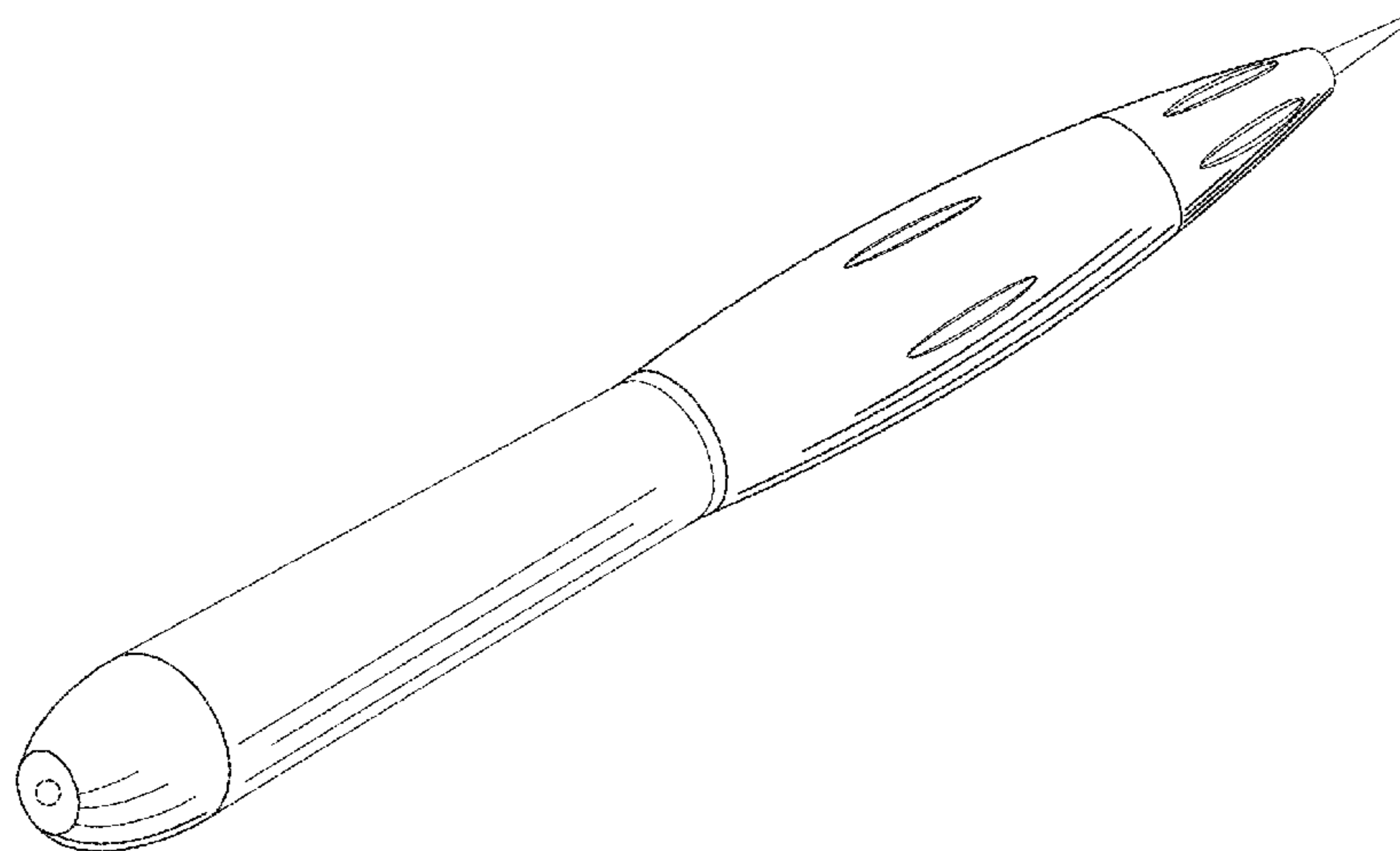
FIG. 1 is a left elevational view thereof;
FIG. 2 is a right elevational view thereof;
FIG. 3 is a top side elevational view thereof;
FIG. 4 is a bottom side elevational view thereof;
FIG. 5 is a rear plan view thereof;
FIG. 6 is a front plan view thereof, The broken lines in the figures represent portions of the article which form no part of the claim; and,
FIG. 7 is a perspective view of a permanent makeup device showing my new design.
The broken lines in the figures represent portions of the article which form no part of the claim.

1 Claim, 7 Drawing Sheets

(56) **References Cited**

U.S. PATENT DOCUMENTS

5,097,853 A * 3/1992 Nehashi A45D 34/045
132/218
D432,714 S * 10/2000 Leslie D28/7
D598,953 S * 8/2009 Yu D19/166
D622,000 S * 8/2010 Kluge D24/146
2008/0296320 A1* 12/2008 Kang A45D 34/042
401/156
2008/0306502 A1* 12/2008 Lisec A01K 11/005
606/186
2010/0191268 A1* 7/2010 Lee A61M 37/0084
606/185
2014/0018835 A1* 1/2014 Scherkowski A61B 17/3494
606/185



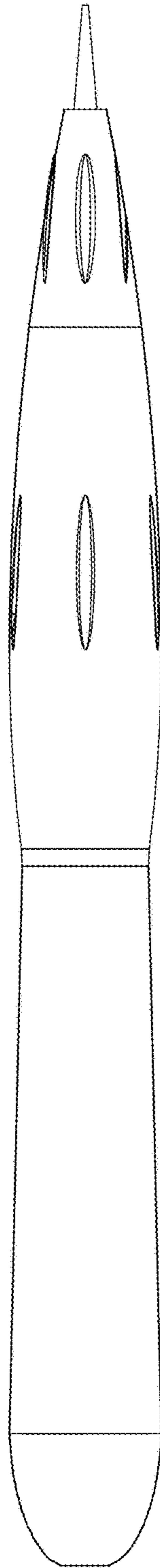


FIG. 1

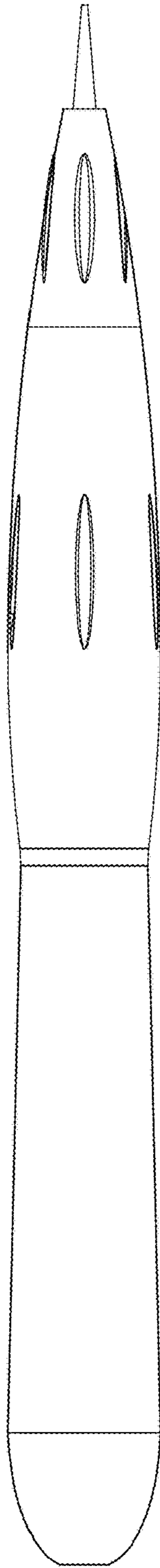


FIG. 2

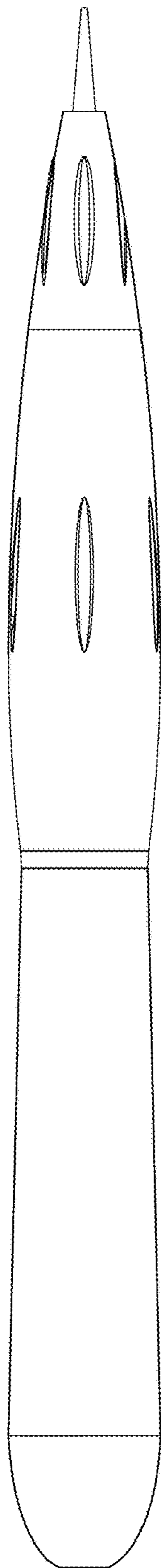


FIG. 3

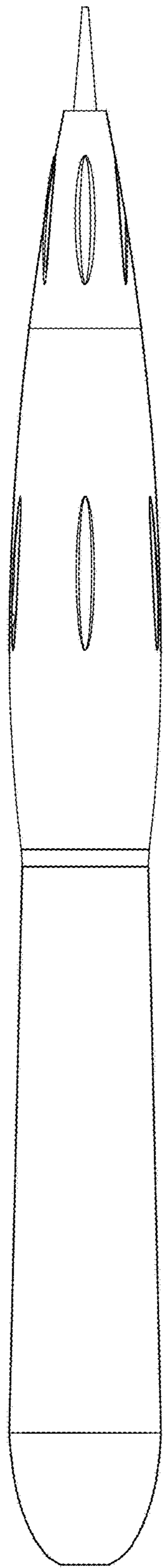


FIG. 4

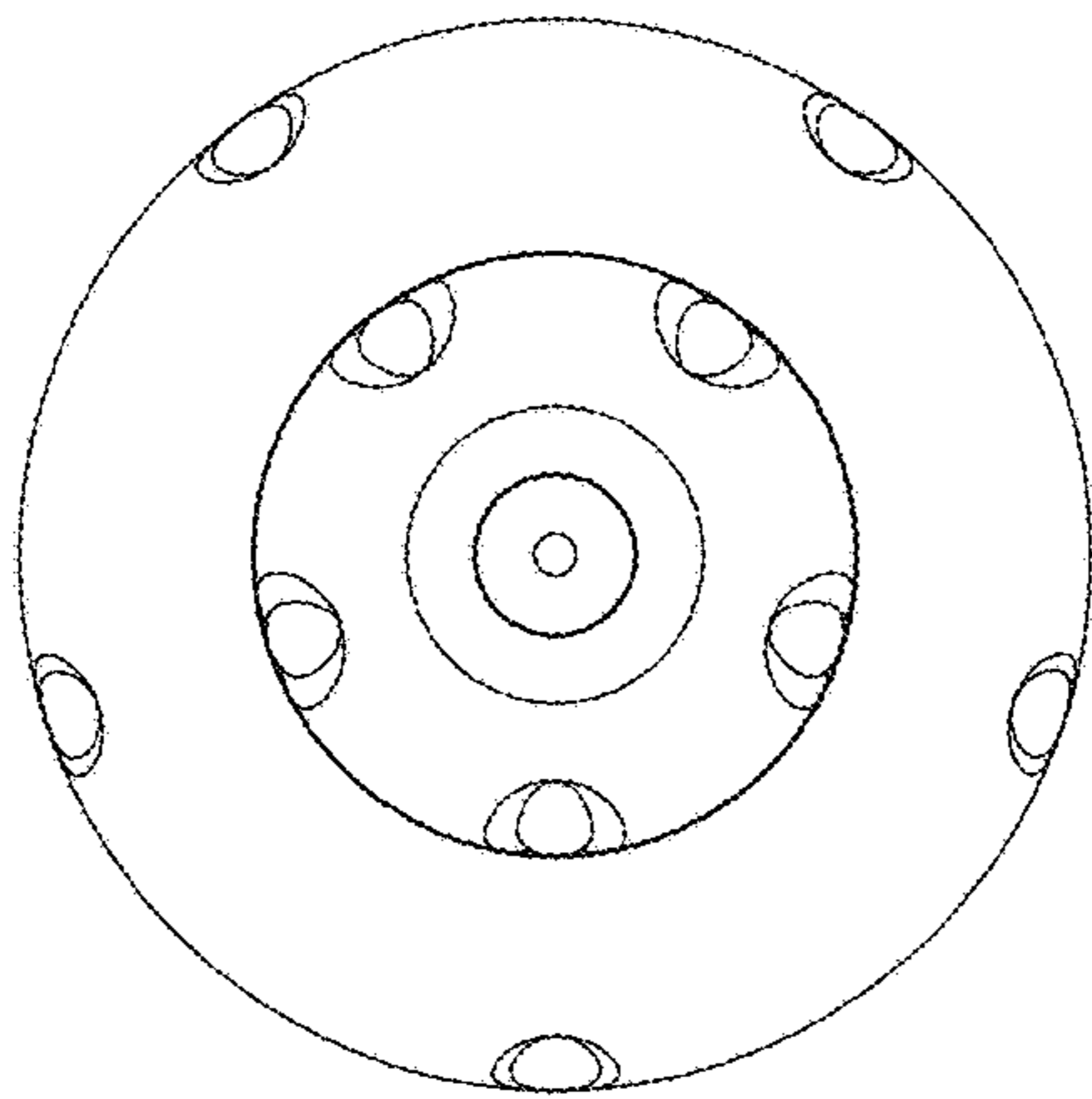


FIG. 5

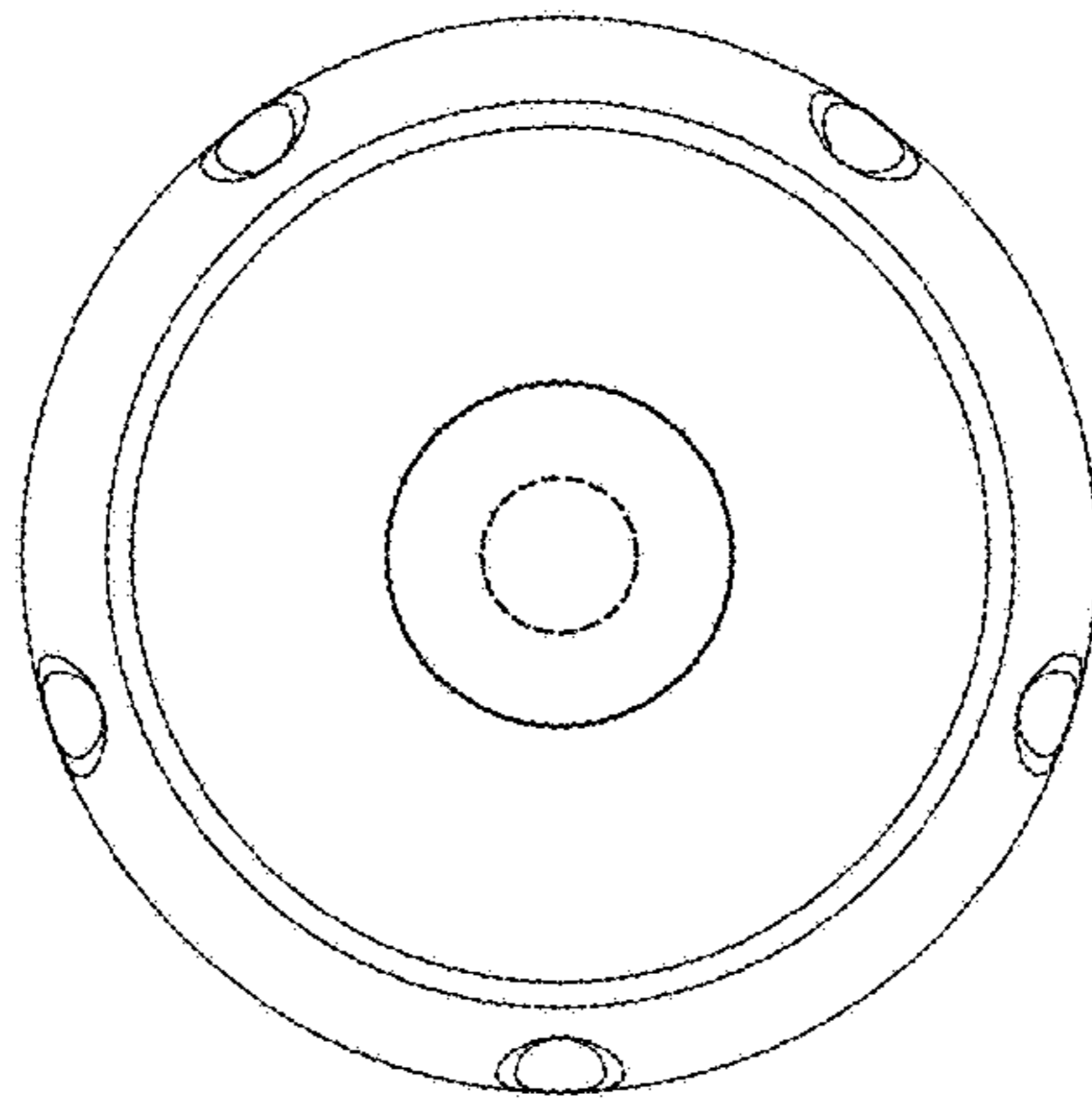


FIG. 6

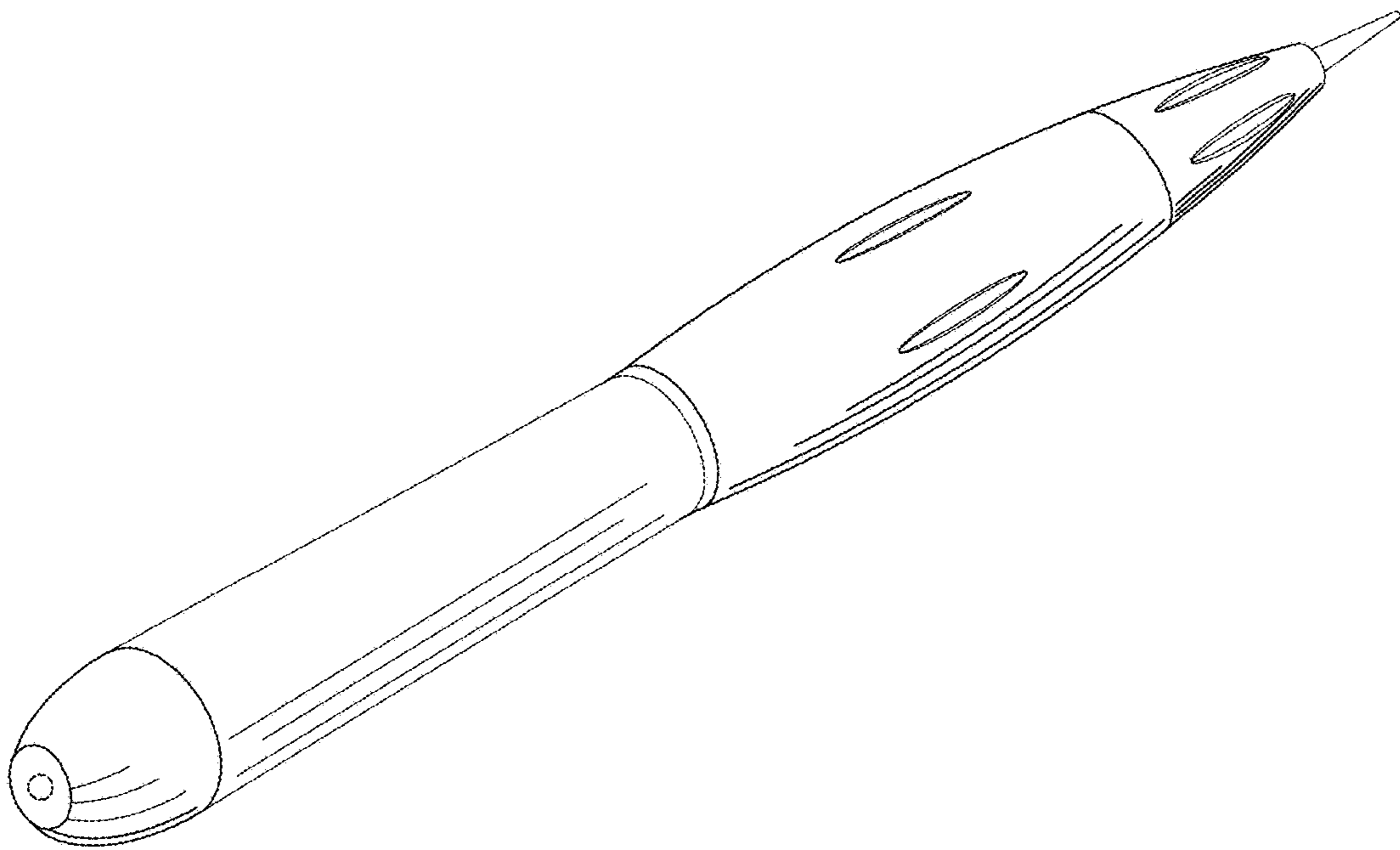


FIG. 7