



US00D848668S

(12) **United States Design Patent**
Pukall

(10) **Patent No.:** **US D848,668 S**

(45) **Date of Patent:** **** May 14, 2019**

(54) **BASE FOR A LIGHT**

(71) Applicant: **Ivoclar Vivadent AG**, Schaan (LI)

(72) Inventor: **Britta Pukall**, Wädenswil (CH)

(73) Assignee: **Ivoclar Vivadent AG**, Schaan (LI)

(**) Term: **15 Years**

(21) Appl. No.: **29/612,115**

(22) Filed: **Jul. 28, 2017**

(30) **Foreign Application Priority Data**

Feb. 13, 2017 (WO) 60530

(51) **LOC (11) Cl.** **26-05**

(52) **U.S. Cl.**
USPC **D26/142**

(58) **Field of Classification Search**
USPC D25/142, 143, 148; D26/35, 38.1, 41.1,
D26/43, 44, 48.1, 48.2, 55, 119-120, 136,
D26/137, 164, 199
CPC E06B 1/02; E06B 1/04; E04C 2/30; A47B
43/00; A47F 5/00; E04B 2/74
See application file for complete search history.

(56) **References Cited**

U.S. PATENT DOCUMENTS

D330,261 S * 10/1992 Wertz D25/113
D380,274 S * 6/1997 Stamets D25/38.1

D425,214 S * 5/2000 Speck D25/118
D426,015 S * 5/2000 Chen D26/142
D442,724 S * 5/2001 Chen D26/85
D583,091 S * 12/2008 Benensohn D26/89
8,522,503 B1 * 9/2013 Egan, Jr. E04H 12/2292
52/292
D723,717 S * 3/2015 Toyne D25/135
D749,750 S * 2/2016 Cline D25/113

* cited by examiner

Primary Examiner — Mark A Goodwin

Assistant Examiner — Benjamin M Weeks

(74) *Attorney, Agent, or Firm* — Ann M. Knab; Thad McMurray

(57) **CLAIM**

The ornamental design for a base for a light, as shown and described.

DESCRIPTION

FIG. 1 is a perspective view of a base for a light, showing my new design

FIG. 2 is a front view thereof.

FIG. 3 is a rear view thereof.

FIG. 4 is a left side view thereof.

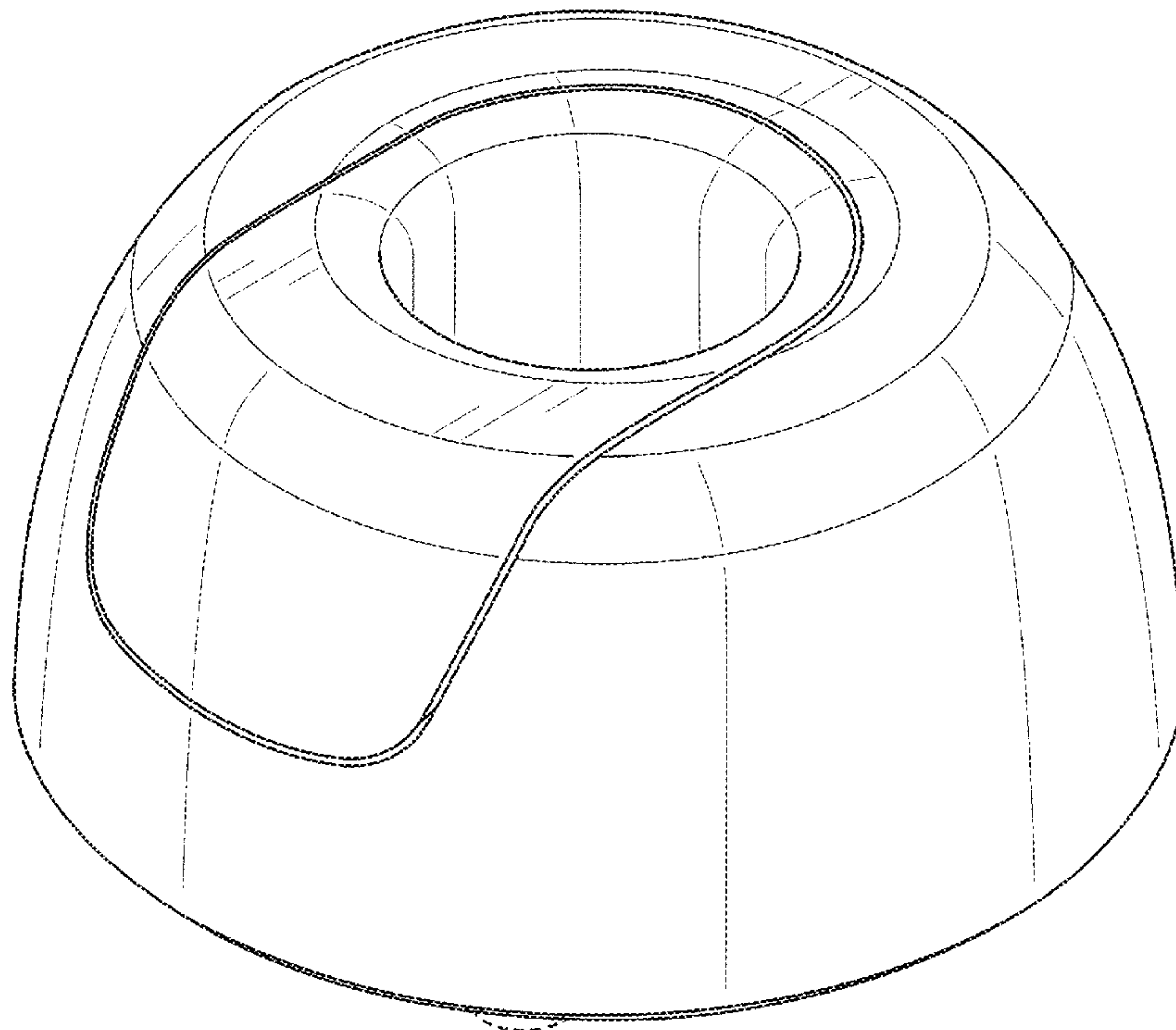
FIG. 5 is a right side view thereof.

FIG. 6 is a top plan view thereof; and,

FIG. 7 is a bottom plan view thereof.

The broken lines in the figures depict portions of the base for a light that are not part of the claimed design.

1 Claim, 7 Drawing Sheets



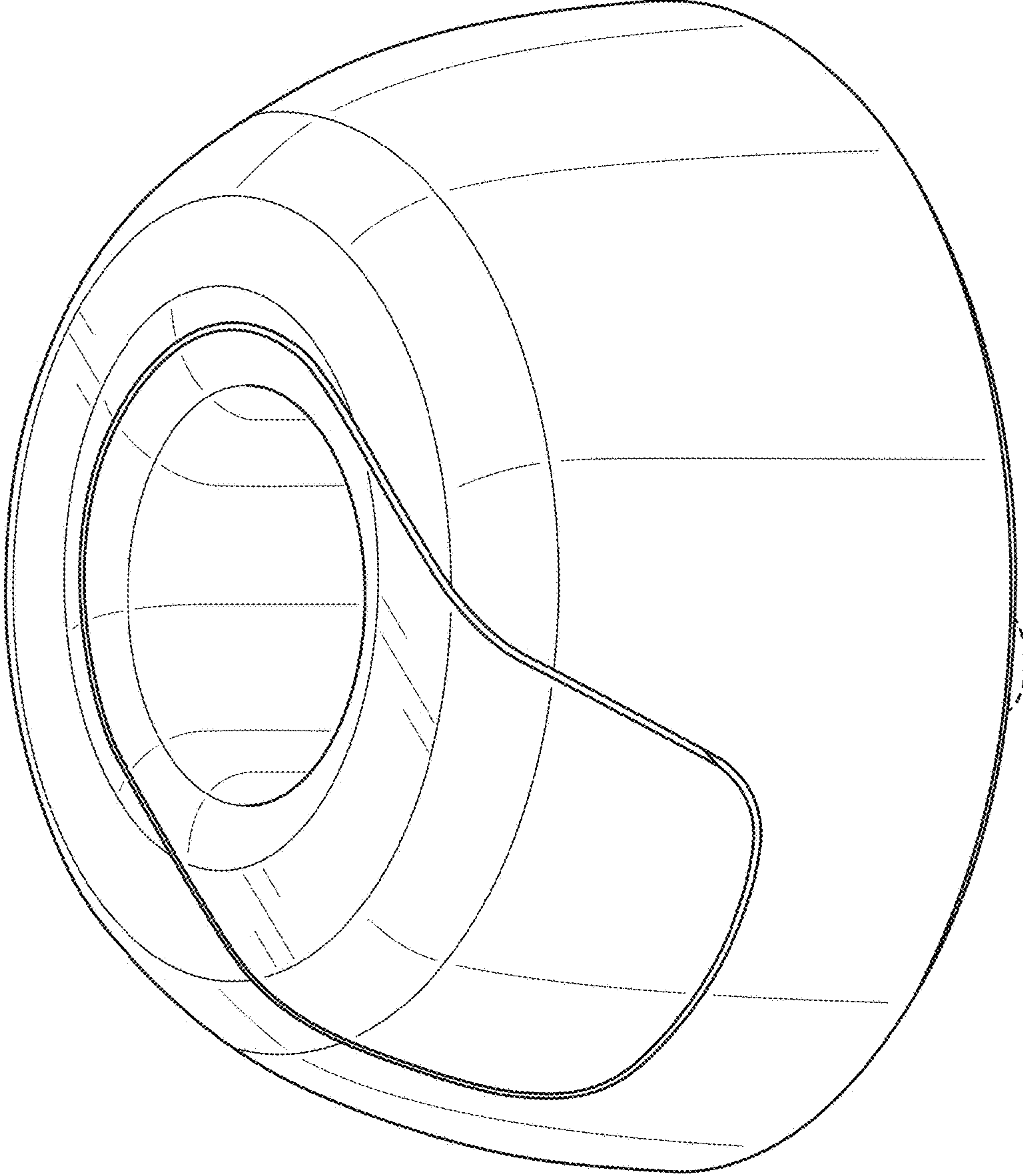


FIG. 1

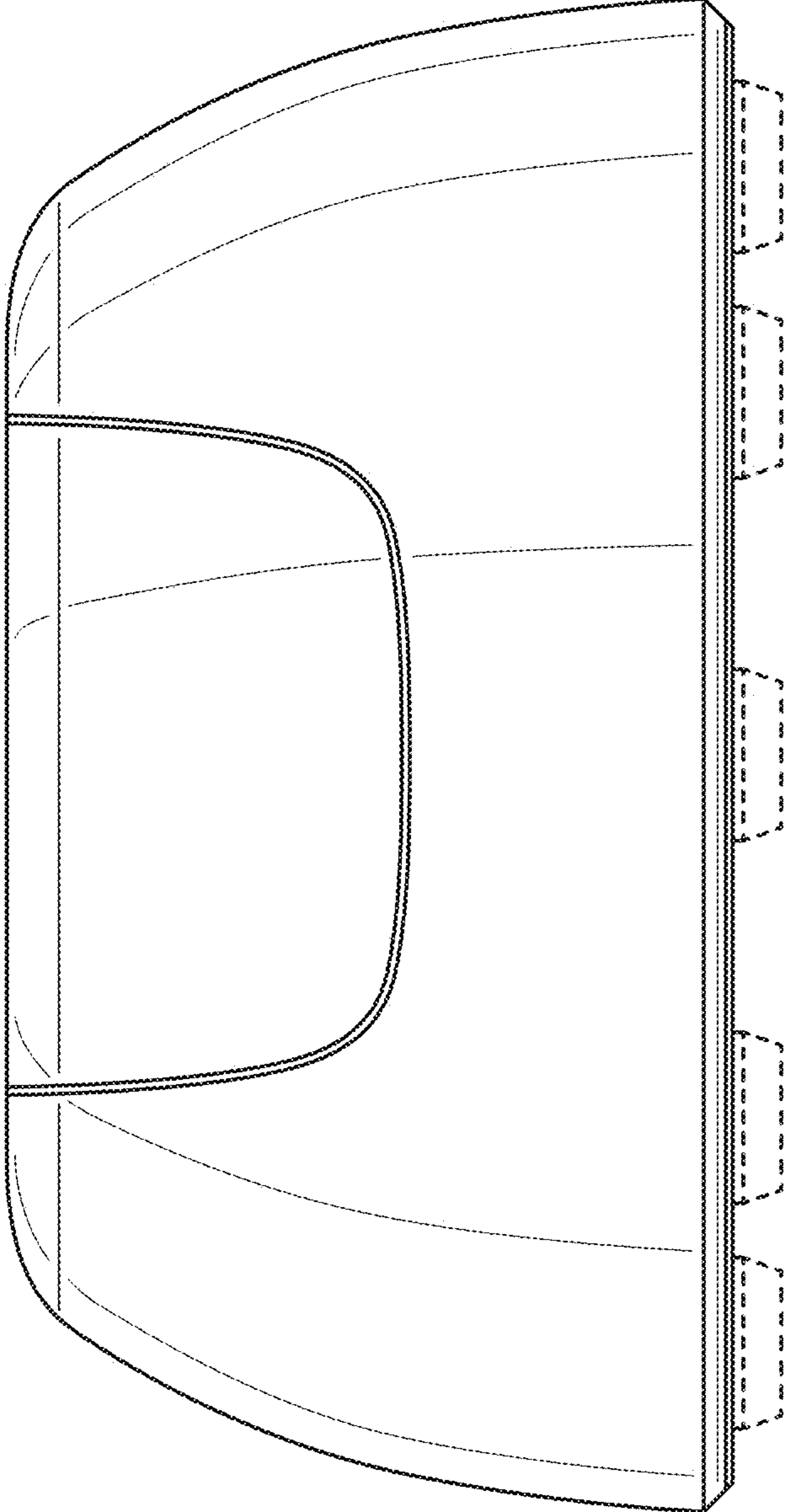


FIG. 2

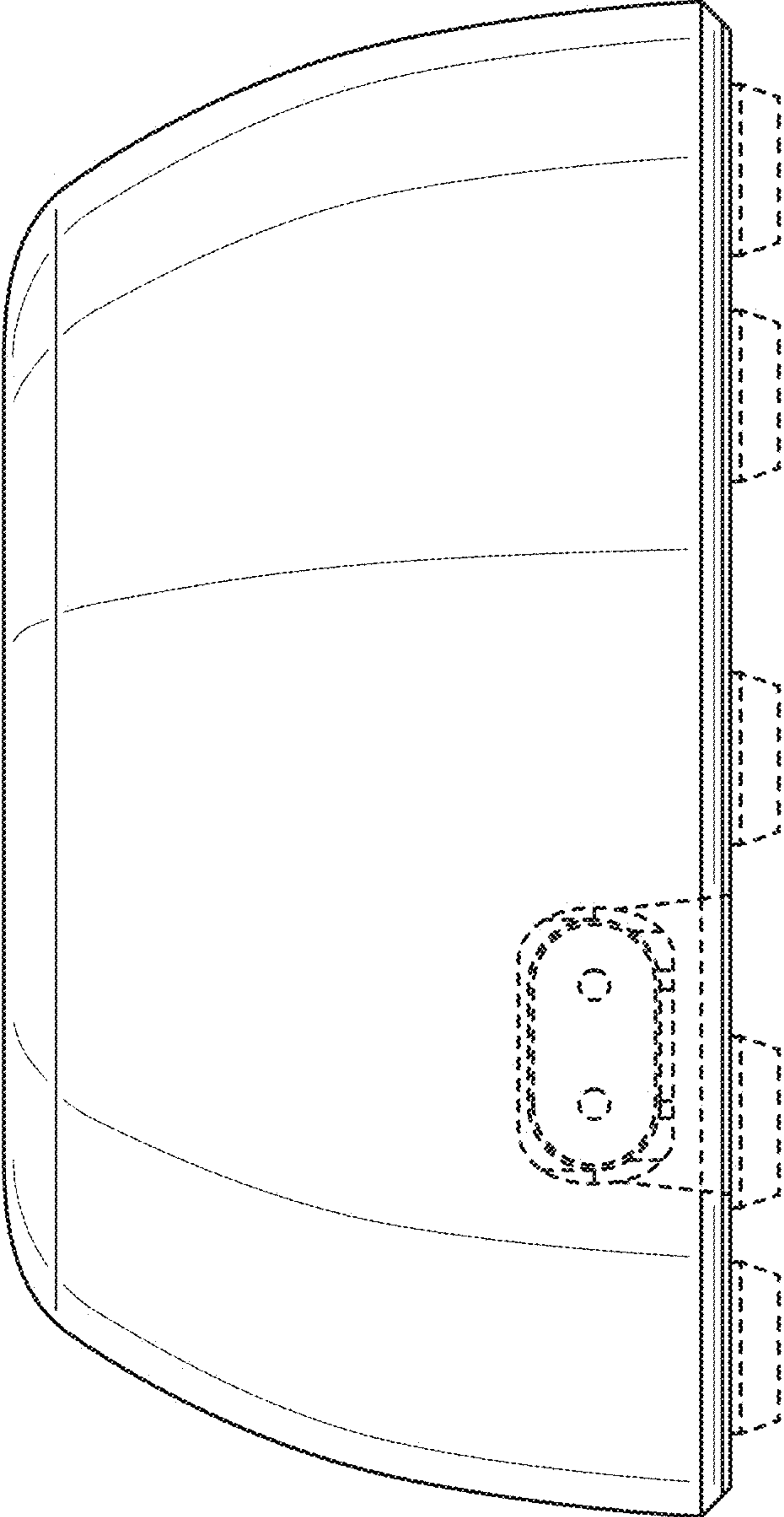


FIG. 3

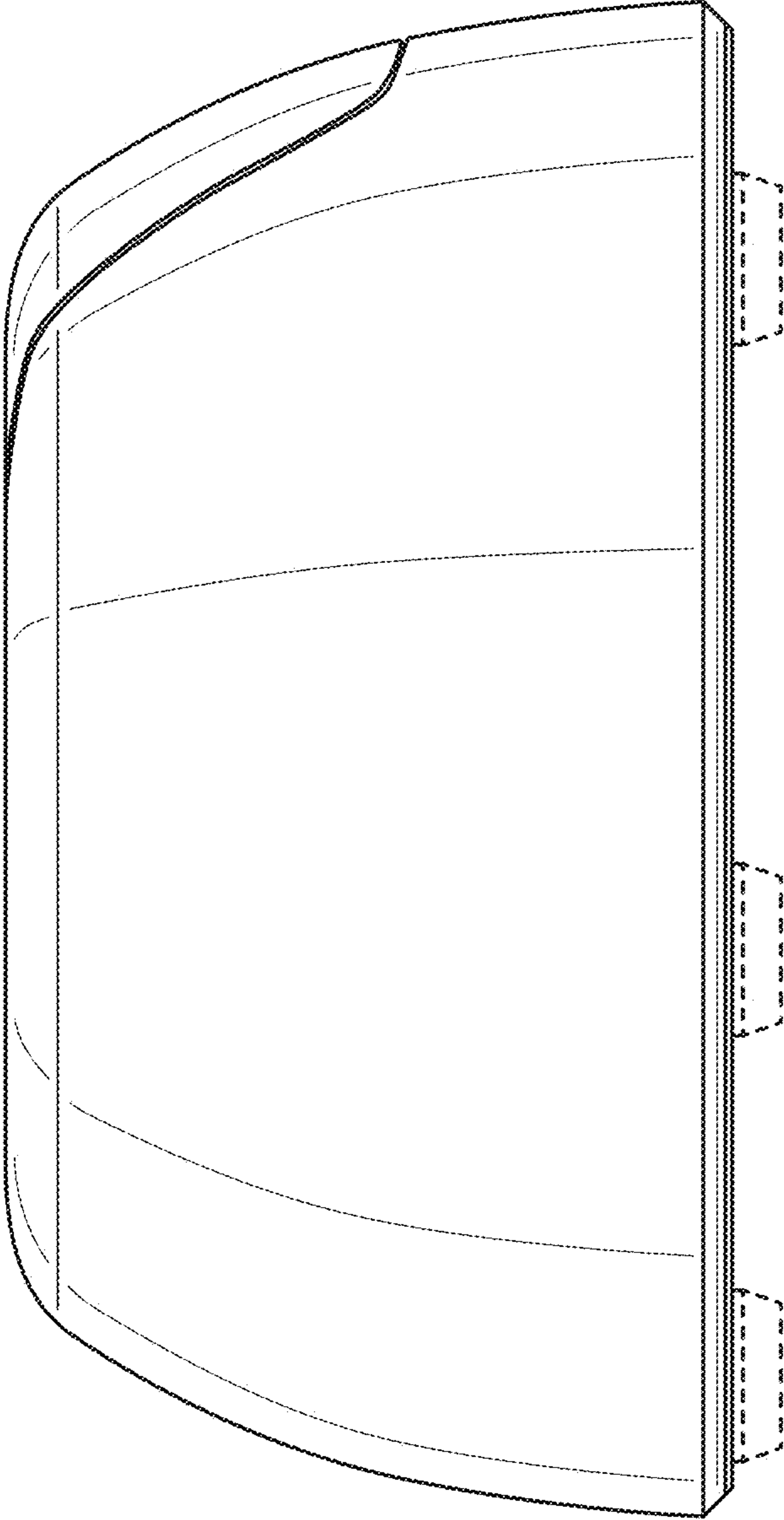


FIG. 4

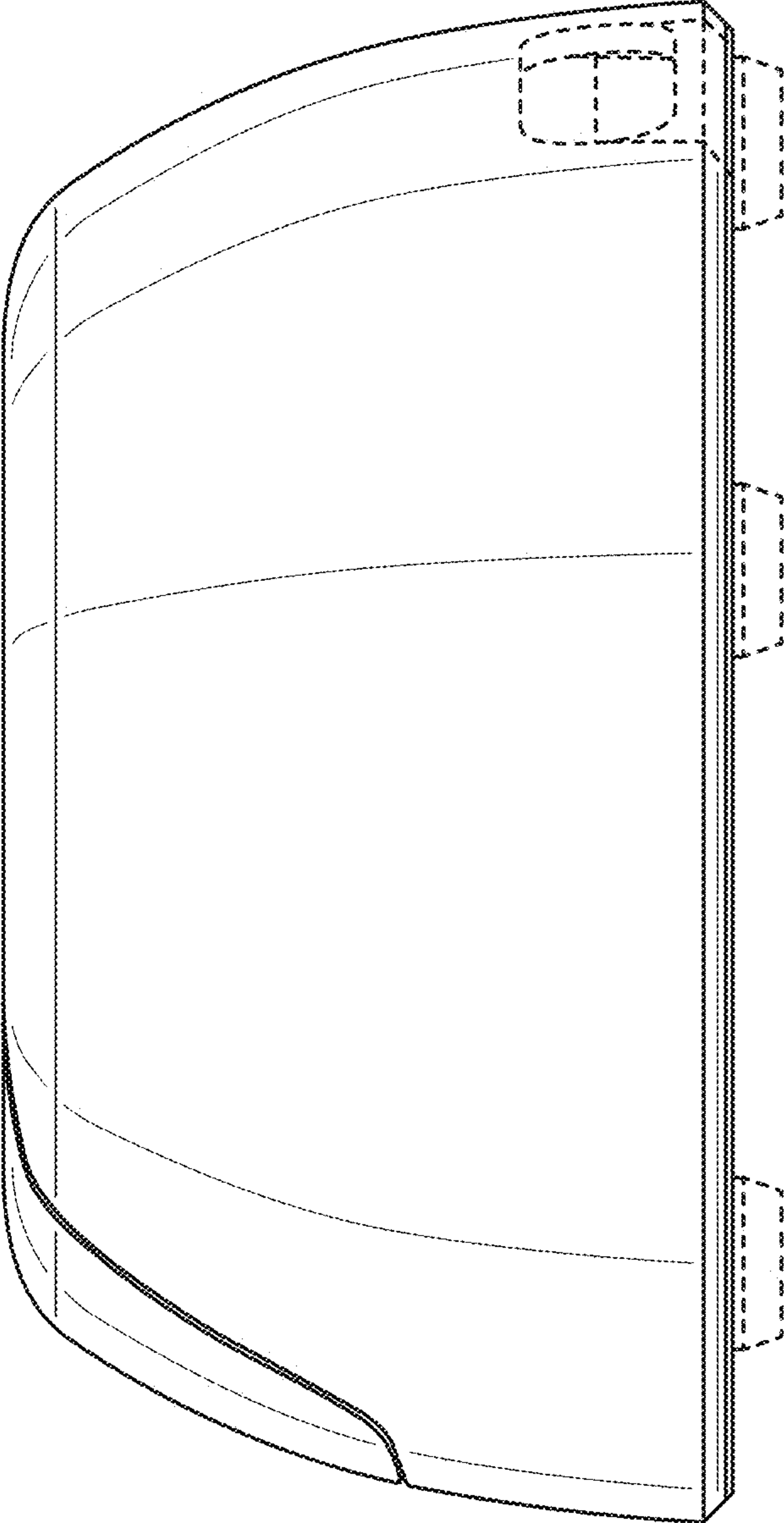


FIG. 5

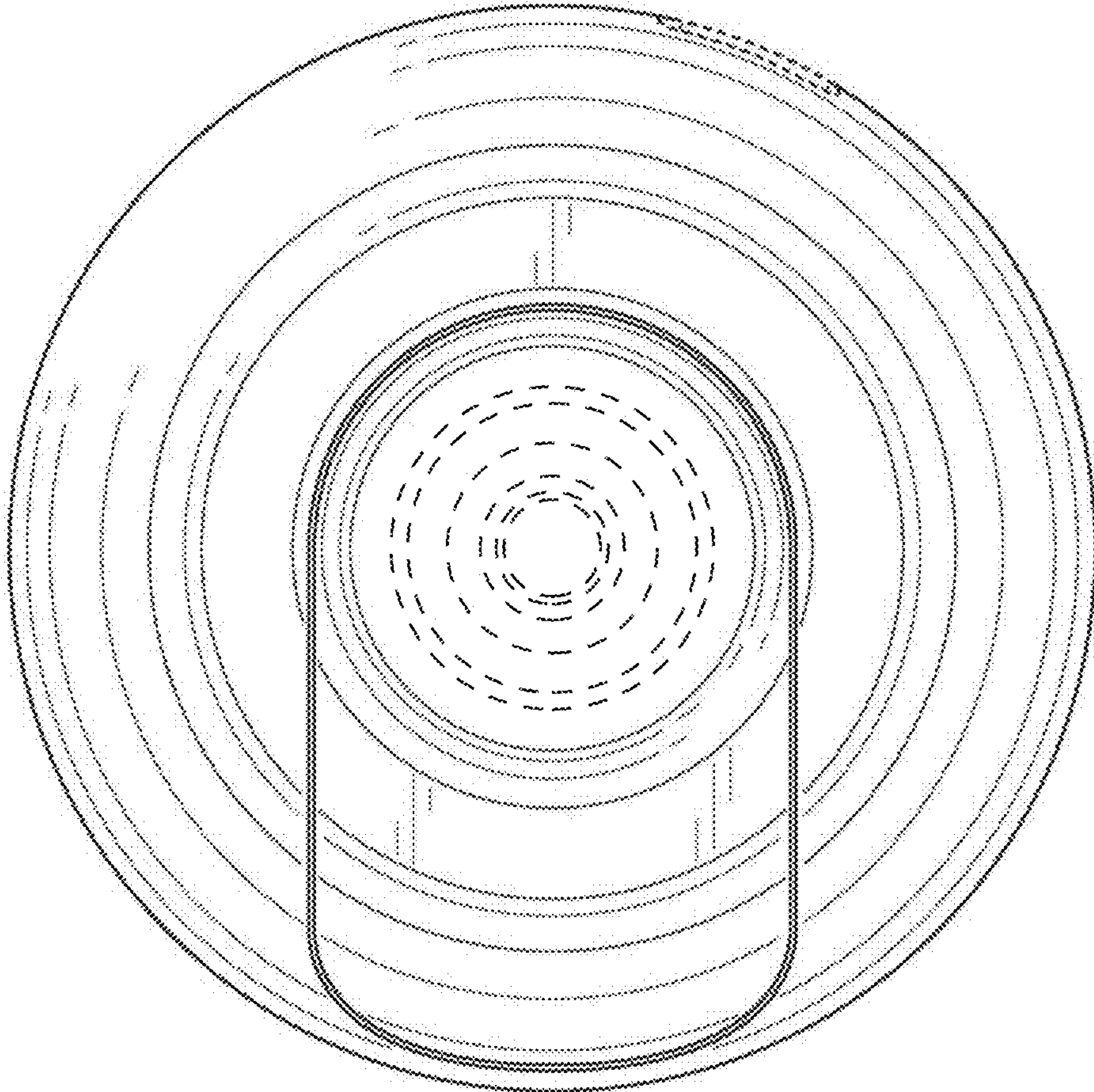


FIG. 6

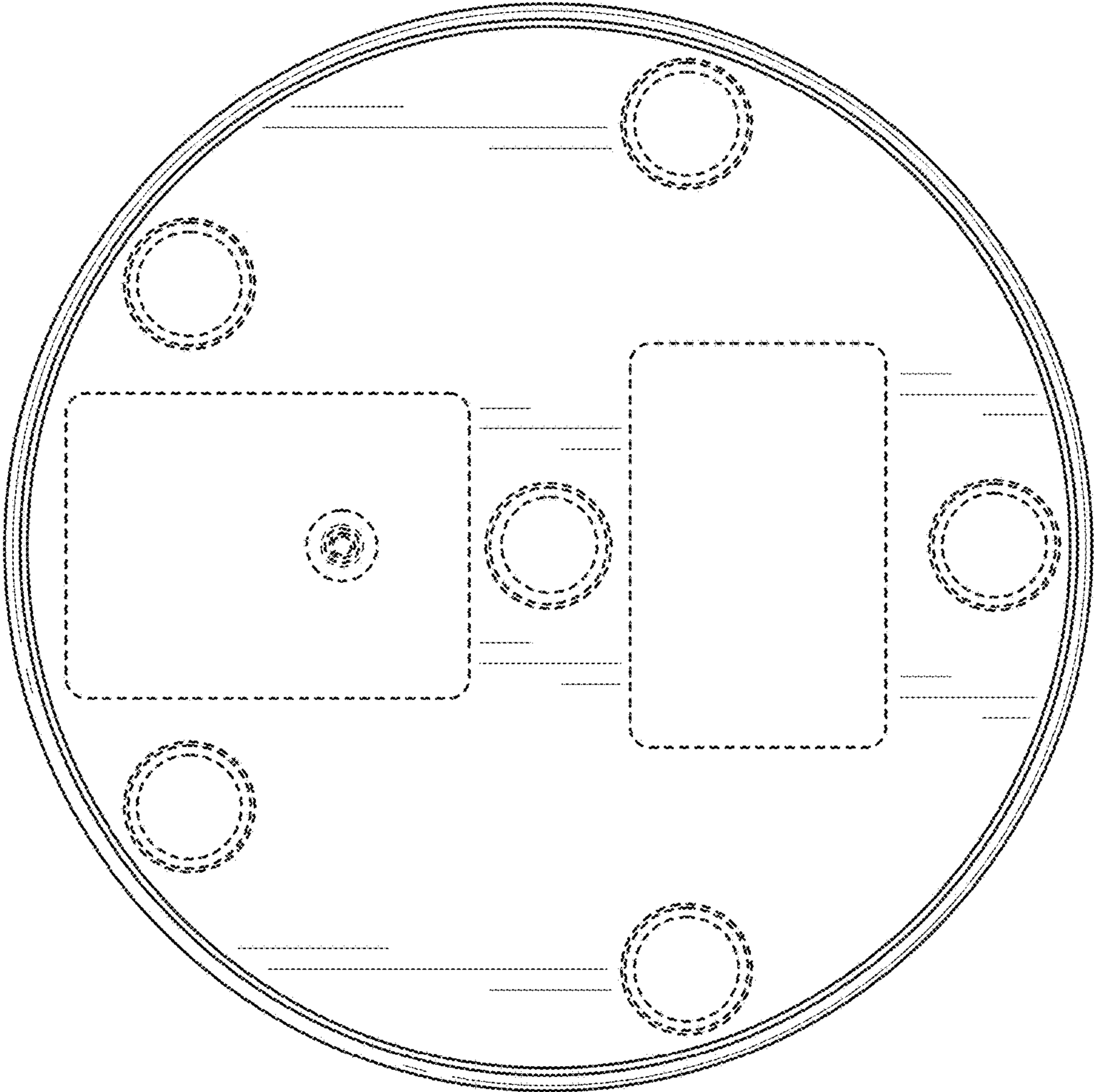


FIG. 7