



US00D848666S

(12) **United States Design Patent** (10) **Patent No.:** **US D848,666 S**
Lacour (45) **Date of Patent:** **** May 14, 2019**

(54) **BALL TOP LIGHT DISPLAY APPARATUS**
(71) Applicant: **Exotic Christmas LLC**, Mandeville, LA (US)
(72) Inventor: **Jeffery Lacour**, Mandeville, LA (US)
(**) Term: **15 Years**
(21) Appl. No.: **29/615,186**
(22) Filed: **Aug. 26, 2017**

(56) **References Cited**

U.S. PATENT DOCUMENTS

D359,929 S *	7/1995	Thornhill	D11/143
D427,455 S *	7/2000	Walters-Dowding	D6/677.2
D459,492 S *	6/2002	Branch	D25/100
D587,627 S *	3/2009	Kurtz	D11/155
D713,553 S *	9/2014	Cute	D25/101
D721,187 S *	1/2015	Cute	D25/101
D724,238 S *	3/2015	Ramadan	D25/100
D780,368 S *	2/2017	Smith	D26/105

* cited by examiner

Primary Examiner — Brian N. Vinson
(74) *Attorney, Agent, or Firm* — Norton IP Law Firm; Taylor M. Norton

Related U.S. Application Data

(63) Continuation-in-part of application No. 15/687,468, filed on Aug. 26, 2017.
(51) **LOC (11) Cl.** **26-99**
(52) **U.S. Cl.**
USPC **D26/138**
(58) **Field of Classification Search**
USPC D26/1, 24, 93, 106, 107, 105, 110, 51, D26/55, 138, 141; D6/329, 672, 677, D6/677.2; D32/58; D25/100, 101, 105; D11/143, 131, 152, 155; D8/1, 349
CPC F21S 6/00; F21S 6/002; F21S 6/004; F21S 6/006; F21S 8/00; F21S 10/00; F21V 21/02; F21W 2131/30; F21Y 2105/00; G01N 21/956

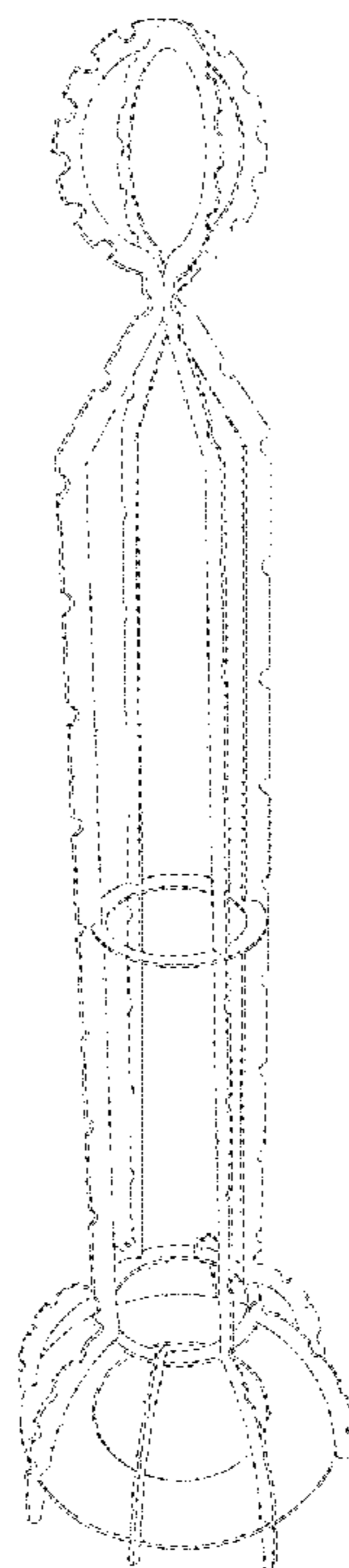
See application file for complete search history.

(57) **CLAIM**
The ornamental design for a ball top light display apparatus, as shown and described.

DESCRIPTION

FIG. 1 is a front left perspective view of a ball top light display apparatus showing my new design; FIG. 2 is a front side elevation view thereof; FIG. 3 is a back side elevation view thereof; FIG. 4 is a right side elevation view thereof; FIG. 5 is a left side elevation view thereof; FIG. 6 is a top view thereof; and, FIG. 7 is a bottom view thereof.

1 Claim, 7 Drawing Sheets



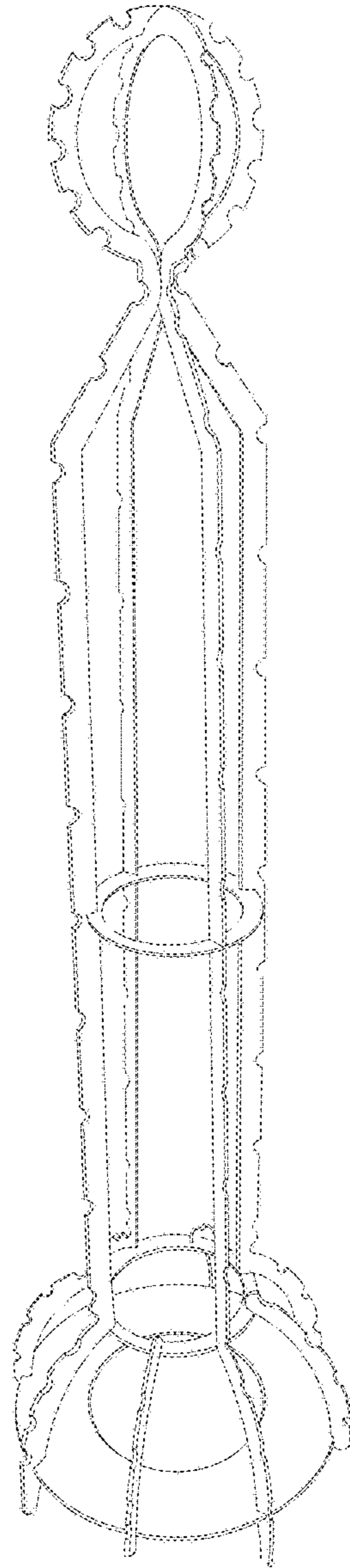


FIG. 1

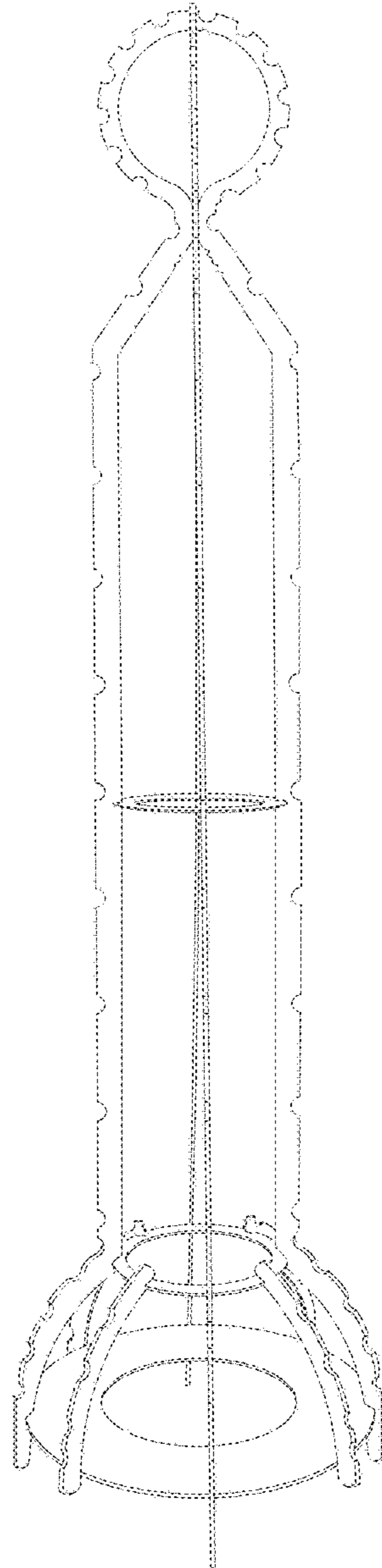


FIG. 2

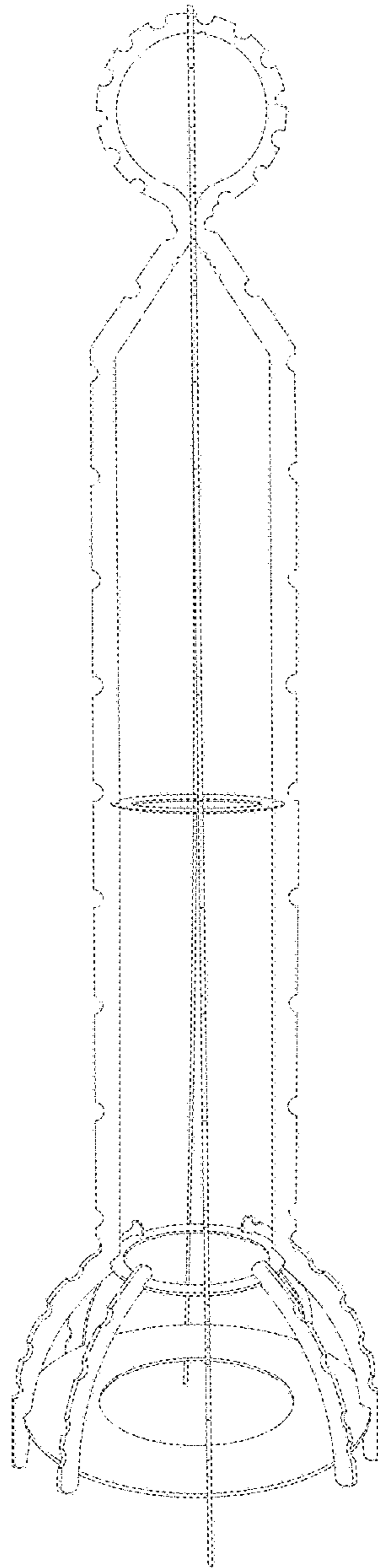


FIG. 3

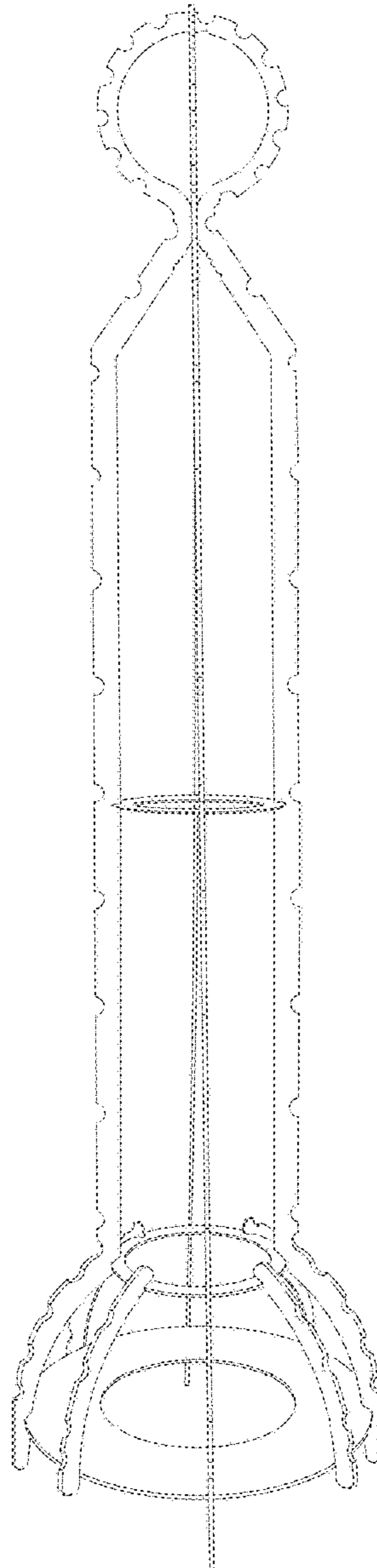


FIG. 4

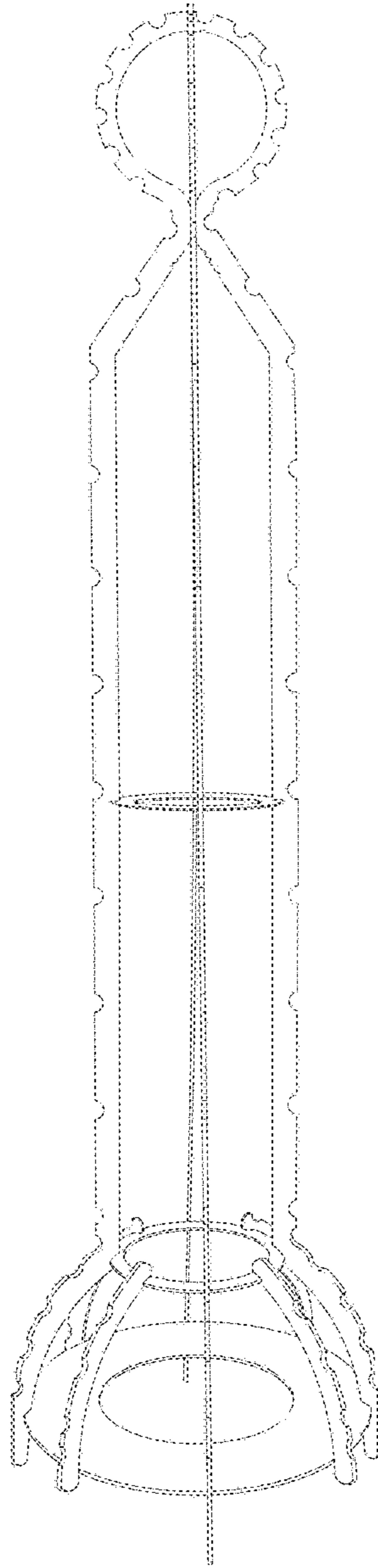


FIG. 5

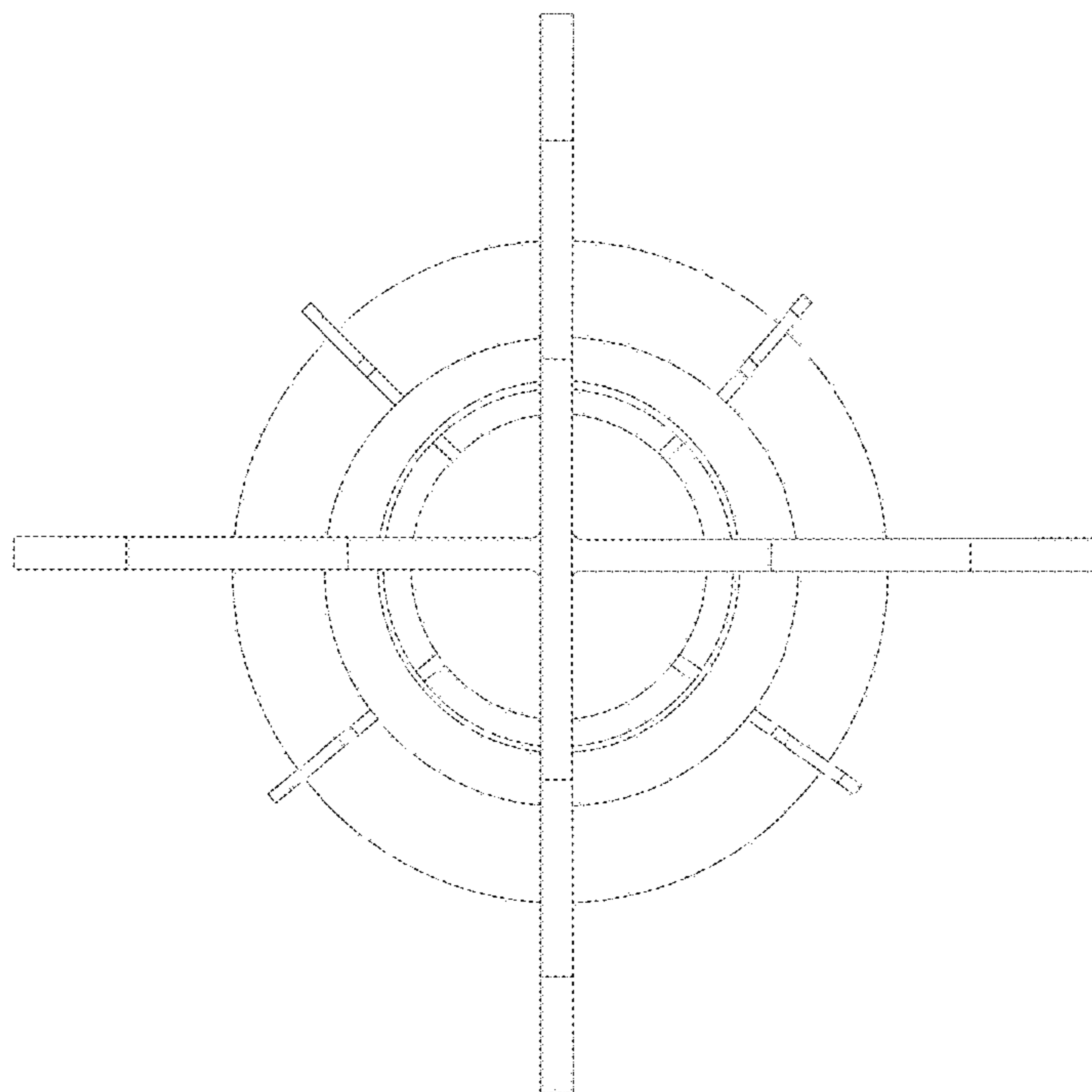


FIG. 6

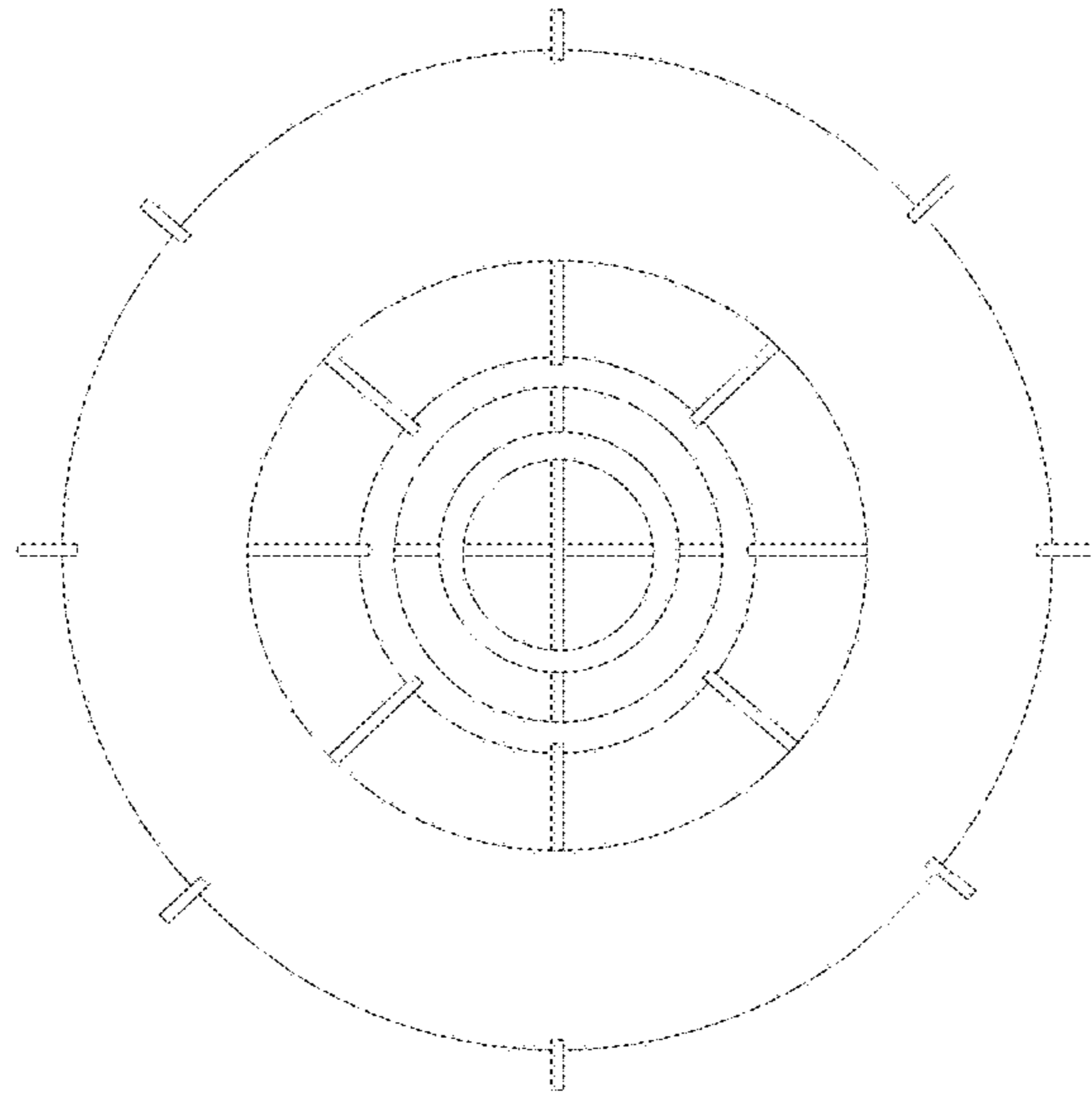


FIG. 7