



US00D848663S

(12) **United States Design Patent** (10) **Patent No.:** **US D848,663 S**  
**Reynolds** (45) **Date of Patent:** **\*\* May 14, 2019**

(54) **LIGHT FIXTURE**

(71) Applicant: **HGCI, Inc.**, Las Vegas, NV (US)  
(72) Inventor: **Christopher Reynolds**, Vancouver, WA (US)  
(73) Assignee: **HGCI, Inc.**, Las Vegas, NV (US)  
(\*\*) Term: **15 Years**

(21) Appl. No.: **29/624,841**

(22) Filed: **Nov. 3, 2017**

(51) **LOC (11) Cl.** ..... **26-99**

(52) **U.S. Cl.**  
USPC ..... **D26/118**

(58) **Field of Classification Search**

USPC ... D26/9, 10, 12, 13, 15, 16, 24, 51, 61, 72,  
D26/76, 80, 81, 85, 86, 88, 90, 113, 118,  
D26/119, 120, 122, 128, 129, 138, 143,  
D26/144  
CPC .... B60Q 1/04; B60Q 1/26; F21S 8/026; F21S  
8/04; F21V 29/004; F21V 21/02; F21V  
21/04; F21V 29/2212; F21V 7/22; F21V  
29/83; F21V 37/002; F21V 7/00; F21L  
19/00; F23D 11/443; F21Y 2101/02;  
A61L 9/037

See application file for complete search history.

(56) **References Cited**

**U.S. PATENT DOCUMENTS**

32,722 A 7/1861 Schmidlin  
D46,253 S 8/1914 Kopp  
1,410,945 A 3/1922 Mayfield  
1,547,026 A 7/1925 Canney  
1,798,567 A 3/1931 Wagenhorst  
D85,049 S 9/1931 Kopp

(Continued)

**FOREIGN PATENT DOCUMENTS**

CA 2034710 8/1991  
CA 1314529 3/1993

(Continued)

**OTHER PUBLICATIONS**

Apollo Horticulture GLRCTAC 6" Air Cool Tube Grow Light Deluxe Glass Cylinder with Hood Reflector, image post date Oct. 15, 2010, site visted Oct. 3, 2014, (online), <[http://www.amazon.com/apollo-horticulture-glrectac-cylinder-reflector/dp/b003qkvv04/ref=pd\\_sbs\\_lg\\_5?ie=utf8&refrid=1y9v9qhh4n5vnctjmfr](http://www.amazon.com/apollo-horticulture-glrectac-cylinder-reflector/dp/b003qkvv04/ref=pd_sbs_lg_5?ie=utf8&refrid=1y9v9qhh4n5vnctjmfr)>.

(Continued)

*Primary Examiner* — Brian N. Vinson

(74) *Attorney, Agent, or Firm* — J. Douglas Wells

(57) **CLAIM**

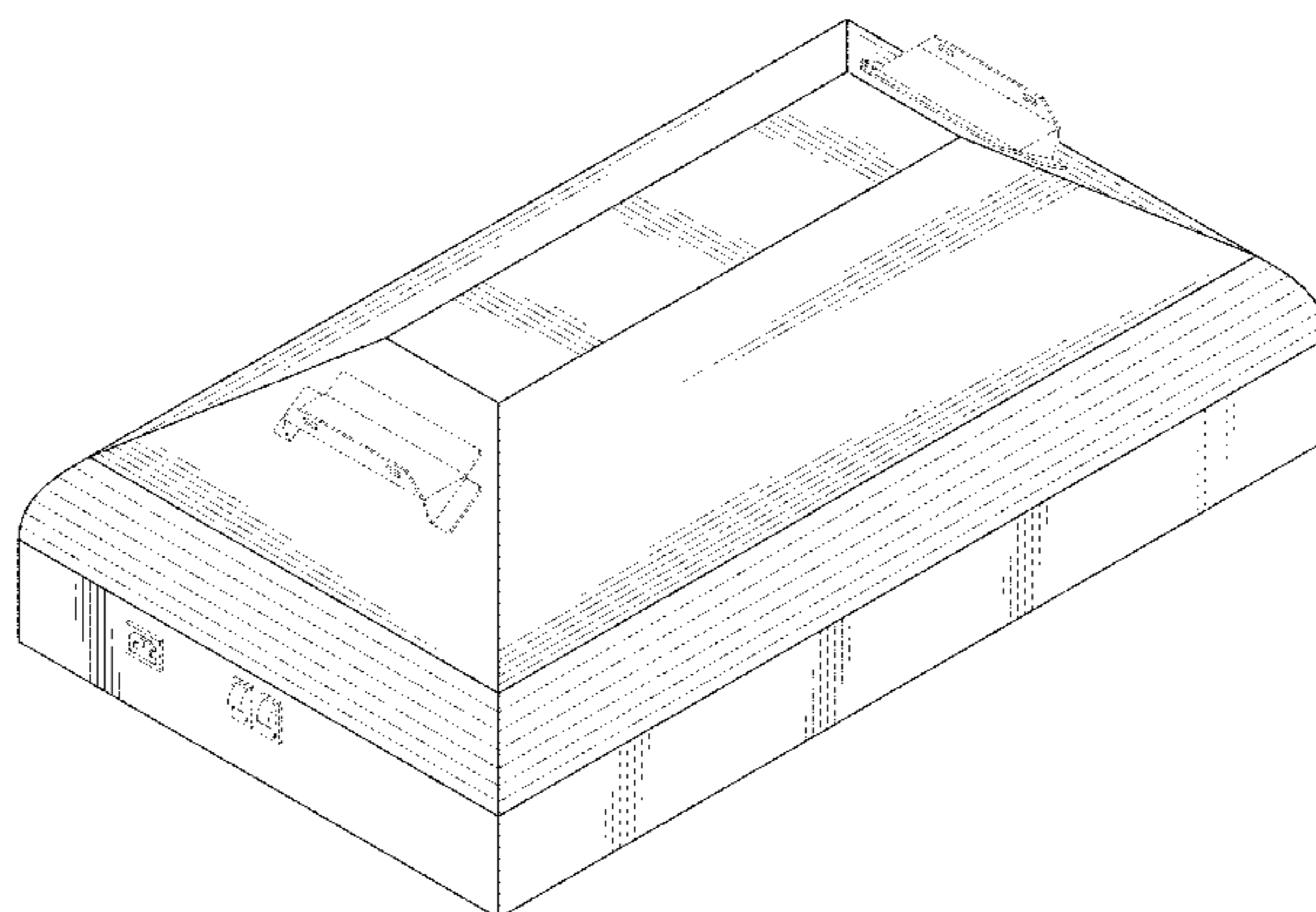
The ornamental design for a light fixture, as shown and described.

**DESCRIPTION**

FIG. 1 is a perspective view of a light fixture, as viewed from above, showing my new design;  
FIG. 2 is a perspective view of the light fixture shown in FIG. 1, as viewed from below;  
FIG. 3 is a left side view of the light fixture shown in FIG. 1;  
FIG. 4 is a right side view of the light fixture shown in FIG. 1;  
FIG. 5 is a front elevation view of the light fixture shown in FIG. 1;  
FIG. 6 is a rear elevation view of the light fixture shown in FIG. 1;  
FIG. 7 is a top plan view of the light fixture shown in FIG. 1; and,  
FIG. 8 is a bottom plan view of the light fixture shown in FIG. 1.

The broken-line disclosure shown in the views is understood to represent portions of the article in which the claimed design is embodied, but which form no part of the claimed design.

**1 Claim, 6 Drawing Sheets**



(56)

## References Cited

## U.S. PATENT DOCUMENTS

D85,382 S	10/1931	Guth	5,353,746 A	10/1994	Del Rosario
1,848,734 A	3/1932	Luce	D352,126 S	11/1994	Ruud
1,873,310 A	8/1932	Doane	5,440,470 A	8/1995	Ly
1,930,070 A	10/1933	Zecher	5,461,554 A	10/1995	Leonetti
1,987,705 A	1/1935	Pedersen	D365,159 S	12/1995	Tinen
D106,614 S	10/1937	Waterbury	5,486,737 A	1/1996	Hrubowchak
2,194,841 A	3/1940	Welch	5,510,676 A	4/1996	Cottaar
D119,800 S	4/1940	Carter	D373,000 S	8/1996	Brady
D123,768 S	12/1940	Scribner	5,555,162 A	9/1996	Shemitz
D125,559 S	3/1941	Biller	D374,301 S	10/1996	Kleffman
2,242,590 A	5/1941	Marcel	D376,437 S	10/1996	Karlo
D128,049 S	7/1941	Kurtz	5,568,680 A	10/1996	Parker
D135,375 S	3/1943	Biller	5,570,947 A	11/1996	Felland
2,339,100 A	1/1944	Netting	D377,993 S	2/1997	Herst
2,348,617 A	5/1944	Furedy	5,621,267 A	4/1997	Shaffner
D156,014 S	11/1949	Lazerson	D383,243 S	9/1997	Fry
2,492,946 A	1/1950	Barber	5,698,947 A	12/1997	Choi
D174,221 S	3/1955	Hatch	5,702,179 A	12/1997	Sidwell
2,740,883 A	4/1956	Kruger	D391,632 S	3/1998	Thomas
2,741,694 A	4/1956	Wiig	D396,319 S	7/1998	Sutton
2,998,511 A	8/1961	Chan	D397,481 S	8/1998	Schafer
3,025,391 A	3/1962	Golko	D399,328 S	10/1998	Compton
D193,802 S	10/1962	Thomsen	D399,329 S	10/1998	Compton
D195,012 S	4/1963	Hoyle	D399,587 S	10/1998	Compton
3,125,301 A	3/1964	Stotter	D400,289 S	10/1998	Wardenburg
3,263,071 A	7/1966	Fabbri	5,816,694 A	10/1998	Ideker
3,272,978 A	9/1966	Jackson	D401,006 S	11/1998	Edwards
3,322,946 A	5/1967	Cooper	D405,976 S	2/1999	Beall
3,420,995 A	1/1969	Dunckel	5,896,004 A	4/1999	Feldman
D213,391 S	2/1969	Bruno	5,924,789 A	7/1999	Thornton
3,433,941 A	3/1969	Hall	5,932,955 A	8/1999	Berger
3,675,008 A	7/1972	Hill	5,938,317 A	8/1999	Thornton
3,684,883 A	8/1972	Entwistle	D415,304 S	10/1999	Brown
3,701,898 A	10/1972	McNamara, Jr.	5,983,564 A	11/1999	Stragnola
3,755,667 A	8/1973	Price	5,987,697 A	11/1999	Song
3,829,677 A	8/1974	DeLlano	5,999,943 A	12/1999	Nori
3,902,059 A	8/1975	McNamara, Jr.	D418,626 S	1/2000	Herst
3,911,265 A	10/1975	Landrum	D419,248 S	1/2000	Lyons
4,028,542 A	6/1977	McReynolds, Jr.	6,024,468 A	2/2000	Kassay
D245,016 S	7/1977	Barr	6,042,250 A	3/2000	Stragnola
4,037,096 A	7/1977	Brengord	6,051,927 A	4/2000	Graser
4,078,169 A	3/1978	Armstrong	6,053,624 A	4/2000	Cronk
4,175,360 A	11/1979	Mulvey	D425,237 S	5/2000	Scott
4,229,782 A	10/1980	Ruud	D425,652 S	5/2000	Brok
D259,738 S	6/1981	Boschetti	D426,010 S	5/2000	Compton
4,308,473 A	12/1981	McNamara, Jr.	6,061,690 A	5/2000	Nori
D262,659 S	1/1982	Lalita	6,065,849 A	5/2000	Chen
D266,578 S	10/1982	Moshier	6,070,173 A	5/2000	Huber
D268,287 S	3/1983	Boschetti	6,076,944 A	6/2000	Maranon
D270,577 S	9/1983	DeVos	6,079,851 A	6/2000	Altman
4,446,506 A	5/1984	Larson	D428,516 S	7/2000	Reo
4,531,180 A	7/1985	Hernandez	6,094,919 A	8/2000	Bhatia
4,616,293 A	10/1986	Baliozian	6,111,739 A	8/2000	Wu
4,669,033 A	5/1987	Lee	6,152,579 A	11/2000	Reed
D290,662 S	7/1987	Basil	D439,008 S	3/2001	Kim
D300,877 S	4/1989	Cyr	D440,289 S	4/2001	Olson et al.
4,855,884 A	8/1989	Richardson	6,210,025 B1	4/2001	Schmidt
4,893,221 A	1/1990	Friedman	6,230,497 B1	5/2001	Morris
4,933,821 A	6/1990	Anderson	D443,198 S	6/2001	Snyder
4,939,629 A	7/1990	Glanton	D443,949 S	6/2001	Dimonte
D311,597 S	10/1990	Poot	6,247,830 B1	6/2001	Winnett
4,970,428 A	11/1990	Hayakawa	D445,943 S	7/2001	Littman
4,980,809 A	12/1990	Baldwin	6,257,735 B1	7/2001	Baar
D316,301 S	4/1991	Michael	6,267,483 B1	7/2001	Hembery
5,006,752 A	4/1991	Eggink	D447,272 S	8/2001	Smith
5,065,294 A	11/1991	Poot	6,279,012 B1	8/2001	Sexton
5,072,349 A	12/1991	Waniga	6,299,327 B1	10/2001	Camarota
D323,897 S	2/1992	Compton	D452,559 S	12/2001	Schonberger
5,088,015 A	2/1992	Baggio	6,343,984 B1	2/2002	Langdon
D329,104 S	9/1992	Dieperink	6,371,630 B1	4/2002	Unger
D330,438 S	10/1992	Herst	D456,927 S	5/2002	Russello
5,192,129 A	3/1993	Figuroa	D456,928 S	5/2002	Russello
5,199,784 A	4/1993	Hempleman	D456,938 S	5/2002	Wardenburg
5,253,152 A	10/1993	Yang	D457,450 S	5/2002	Lamond et al.
D349,358 S	4/1994	Herst	D459,825 S	7/2002	Field
			6,488,387 B2	12/2002	Wardenburg
			D469,564 S	1/2003	Brok
			6,527,422 B1	3/2003	Hutchison
			6,548,948 B1	4/2003	Muessli



(56)

## References Cited

## U.S. PATENT DOCUMENTS

6,595,662 B2	7/2003	Wardenburg	D634,060 S	3/2011	Wardenburg
6,601,972 B2	8/2003	Sei	D634,240 S	3/2011	Junkeer
6,658,652 B1	12/2003	Alexander	D634,468 S	3/2011	Hargreaves
6,679,619 B2	1/2004	Saieva	D634,469 S	3/2011	Hargreaves
D486,593 S	2/2004	Griffin	D637,162 S	5/2011	Bridgman
6,688,759 B1	2/2004	Hadjimichael	D637,341 S	5/2011	Wardenburg
6,709,131 B1	3/2004	Herst	D637,752 S	5/2011	Mekhtarian
6,729,383 B1	5/2004	Cannell	D640,404 S	6/2011	Chipperfield
6,783,263 B1	8/2004	Cronk	7,959,331 B2	6/2011	Ho
D496,121 S	9/2004	Santoro	D641,100 S	7/2011	Li
D499,504 S	12/2004	Meyer	7,972,044 B2	7/2011	Burkhauser
D499,505 S	12/2004	Benensohn	D644,185 S	8/2011	Hargreaves
D504,343 S	4/2005	Ek	7,987,632 B2	8/2011	May
6,885,134 B2	4/2005	Kurashima	8,018,630 B2	9/2011	Herloski
6,908,212 B2	6/2005	Schultz	8,038,318 B2	10/2011	Plunk
7,011,424 B1	3/2006	Poulson	D648,652 S	11/2011	Hawkins
7,083,309 B2	8/2006	Chan	D649,685 S	11/2011	Trzesniowski
7,101,060 B2	9/2006	Oppenheimer	D650,515 S	12/2011	Bradley
7,131,753 B1	11/2006	Edwards, Jr.	D650,935 S	12/2011	Beghelli
7,156,539 B2	1/2007	Cronk	D653,376 S	1/2012	Kong
7,175,309 B2	2/2007	Craw	8,113,696 B2	2/2012	Striebel
D542,460 S	5/2007	Hargreaves	D655,403 S	3/2012	Zakula
D543,652 S	5/2007	Hargreaves	D657,748 S	4/2012	Hargreaves
D543,654 S	5/2007	Hargreaves	D660,252 S	5/2012	Hargreaves
D543,655 S	5/2007	Hargreaves	D661,370 S	6/2012	Imajo
D544,982 S	5/2007	Hargreaves	D661,833 S	6/2012	Imajo
7,213,948 B2	5/2007	Hein	8,209,912 B2	7/2012	Hargreaves
D544,136 S	6/2007	Hargreaves	8,215,799 B2	7/2012	Vanden Eynden
D544,138 S	6/2007	Hargreaves	D667,584 S	9/2012	Beghelli
D544,139 S	6/2007	Hargreaves	D668,370 S	10/2012	Guercio
D544,626 S	6/2007	Hargreaves	D671,259 S	11/2012	Chen
D544,980 S	6/2007	Hargreaves	D672,908 S	12/2012	Wilcox
D544,981 S	6/2007	Hargreaves	D672,911 S	12/2012	Mayfield, III
D544,983 S	6/2007	Hargreaves	D673,324 S	12/2012	Mayfield
D544,984 S	6/2007	Hargreaves	8,334,640 B2	12/2012	Reed
D544,985 S	6/2007	Hargreaves	D675,369 S	1/2013	Michaud
D544,987 S	6/2007	Hargreaves	8,348,481 B2	1/2013	Chang
D544,994 S	6/2007	Hargreaves	D675,772 S	2/2013	Tran
D544,995 S	6/2007	Hargreaves	8,371,726 B2	2/2013	Collins
D545,460 S	6/2007	Mason, II	D678,597 S	3/2013	Lehman
D545,484 S	6/2007	Hargreaves	D678,599 S	3/2013	Boyer
D545,485 S	6/2007	Hargreaves	D679,848 S	4/2013	Pickard
D545,990 S	7/2007	Hargreaves	D683,064 S	5/2013	Tuck
D545,994 S	7/2007	Hargreaves	8,505,224 B2	8/2013	Huang
D545,996 S	7/2007	Hargreaves	D689,238 S	9/2013	Halsey
D549,869 S	8/2007	Ward	D689,986 S	9/2013	Lord
D553,781 S	10/2007	Pickard	D690,875 S	10/2013	McKenzie
7,296,914 B1	11/2007	Russello	D693,959 S	11/2013	Boyer
7,360,927 B2	4/2008	Oka	D697,663 S	1/2014	Speier
D569,024 S	5/2008	Redfern	D698,074 S	1/2014	Hargreaves
D572,858 S	7/2008	Santoro	D698,075 S	1/2014	Klus
7,445,363 B2	11/2008	Vanden Eynden	D698,986 S	2/2014	Reynolds
7,524,090 B2	4/2009	Hargreaves	D698,987 S	2/2014	Stanley
7,534,011 B2	5/2009	Townsley	D699,386 S	2/2014	Park
D595,894 S	7/2009	Verfuertth	D702,827 S	4/2014	Mase
D602,625 S	10/2009	Santoro	8,702,283 B2	4/2014	Bradley, Jr.
D603,087 S	10/2009	Mo	D705,474 S	5/2014	Philips
7,617,057 B2	11/2009	May	D705,974 S	5/2014	Blessitt
D605,342 S	12/2009	Chung	8,723,086 B2	5/2014	McMahan
D608,490 S	1/2010	Chung	D707,385 S	6/2014	Wardenburg
7,641,367 B2	1/2010	Hargreaves	D708,390 S	7/2014	Roos
7,654,702 B1	2/2010	Ding	D710,528 S	8/2014	Wardenburg
D611,183 S	3/2010	Duarte	8,801,235 B2	8/2014	Yurich
D613,900 S	4/2010	Hargreaves	D713,953 S	9/2014	Jepson
D614,801 S	4/2010	Collins	D714,988 S	10/2014	Park
7,722,228 B2	5/2010	Broer	D715,994 S	10/2014	Klus
D617,028 S	6/2010	Verfuertth	D716,995 S	11/2014	Zhu
D620,190 S	7/2010	Chung	D717,487 S	11/2014	Guzzini
D621,993 S	8/2010	Jong	D717,636 S	11/2014	Stanley
7,771,086 B2	8/2010	Goverde	D720,488 S	12/2014	Toyohisa
D628,335 S	11/2010	Hyland	D720,505 S	12/2014	Kersten
7,854,534 B2	12/2010	Liu	8,905,575 B2	12/2014	Durkee
D632,419 S	2/2011	Ng	D720,876 S	1/2015	Haverfield
D633,247 S	2/2011	Kong	D721,844 S	1/2015	Lay
D633,640 S	3/2011	Wauters	D722,654 S	2/2015	Martone
			D725,820 S	3/2015	Hargreaves
			8,967,821 B2	3/2015	Pickard
			D726,359 S	4/2015	Grigore
			8,998,473 B1	4/2015	Anderson



(56)

References Cited

U.S. PATENT DOCUMENTS

9,016,892 B1	4/2015	Scribante	9,551,482 B2	1/2017	Seward
9,016,907 B2	4/2015	Stanley	D780,985 S	3/2017	Stanley
D728,848 S	5/2015	Reyes	D780,986 S	3/2017	Reynolds
D729,435 S	5/2015	Arndt	D781,492 S	3/2017	Reynolds
D730,556 S	5/2015	Toyohisa	D783,887 S	4/2017	Stanley
D725,819 S	6/2015	Reynolds	D783,888 S	4/2017	Reynolds
D731,103 S	6/2015	Wilke	D786,477 S	5/2017	Lauderdale
D731,109 S	6/2015	Wardenburg	D786,488 S	5/2017	Reynolds
D731,701 S	6/2015	Hargreaves	D786,489 S	5/2017	Stanley
D732,233 S	6/2015	Reynolds	D786,490 S	5/2017	Stanley
D732,234 S	6/2015	Rashidi Doust	D786,491 S *	5/2017	Reynolds ..... D26/118
D732,235 S	6/2015	Reynolds	D792,635 S	7/2017	Reynolds
D732,236 S	6/2015	Reynolds	D793,616 S	8/2017	Reynolds
D733,347 S	6/2015	Dungan	D796,727 S *	9/2017	Reynolds ..... D26/118
9,052,075 B2	6/2015	Demuynck	D796,728 S	9/2017	Reynolds
D733,952 S	7/2015	Lay	D797,350 S	9/2017	Reynolds
D733,960 S	7/2015	Howe	D797,353 S	9/2017	Stanley
D734,534 S	7/2015	Howe	9,750,199 B2	9/2017	Stanley
D735,391 S	7/2015	Blessitt	9,752,766 B2	9/2017	Stanley
D735,401 S	7/2015	Clements	D802,826 S	11/2017	Stanley
D736,450 S	8/2015	Reynolds	D802,828 S	11/2017	Stanley
D737,498 S	8/2015	Stanley	D802,829 S *	11/2017	Reynolds ..... D26/118
9,110,209 B2	8/2015	Blessitt	D802,830 S	11/2017	Stanley
D738,031 S	9/2015	Martins	D814,687 S *	4/2018	Stanley ..... D26/118
D739,595 S	9/2015	Reynolds	D825,096 S *	8/2018	Reynolds ..... D26/118
9,127,826 B2	9/2015	Boyer	D825,828 S *	8/2018	Reynolds ..... D26/118
D740,486 S	10/2015	Reynolds	D826,468 S *	8/2018	Stanley ..... D26/118
D740,996 S	10/2015	Tragatschnig	D826,469 S *	8/2018	Reynolds ..... D26/118
D745,993 S *	12/2015	Reynolds ..... D26/118	2002/0073285 A1	6/2002	Butterworth
D747,029 S	1/2016	Reynolds	2002/0141195 A1	10/2002	Wardenburg
D747,538 S	1/2016	Reynolds	2003/0031011 A1	2/2003	Miller
D747,825 S	1/2016	Reynolds	2003/0191783 A1	10/2003	Wolczko
D747,849 S	1/2016	Reynolds	2003/0191783 A1	10/2003	Wolczko
D747,923 S	1/2016	Cornu	2004/0240214 A1	12/2004	Whitlow
D748,319 S	1/2016	Johnson	2005/0117333 A1	6/2005	Yoshida
D748,320 S	1/2016	Johnson	2005/0160481 A1	7/2005	Todd
D748,847 S	1/2016	Johnson	2005/0233691 A1	10/2005	Horton
D748,850 S	1/2016	Johnson	2006/0231081 A1	10/2006	Kirakosyan
D748,849 S	2/2016	Stanley	2006/0232984 A1	10/2006	Schuknecht
D749,773 S	2/2016	Waible	2006/0282457 A1	12/2006	Williams
D750,312 S	2/2016	Reynolds	2007/0051321 A1	3/2007	Chang
D750,313 S	2/2016	Reynolds	2007/0070633 A1	3/2007	Eynden
D750,316 S	2/2016	Reynolds	2007/0228993 A1	10/2007	Stuer
9,255,690 B2	2/2016	Dimitriadis	2007/0246631 A1	10/2007	Brown
D750,831 S	3/2016	Clements	2007/0282806 A1	12/2007	Hoffman
D751,244 S	3/2016	Reynolds	2008/0059799 A1	3/2008	Scarlata
D751,245 S	3/2016	Stanley	2008/0117617 A1	5/2008	Hargreaves
D751,247 S	3/2016	Reynolds	2008/0130304 A1	6/2008	Rash
9,279,553 B1	3/2016	Scribante	2008/0205030 A1	8/2008	Hargreaves
D753,654 S	4/2016	Eastwood	2008/0205071 A1	8/2008	Townsley
9,310,037 B2	4/2016	Cercone	2008/0212326 A1	9/2008	Chon
D756,016 S	5/2016	Hargreaves	2008/0178957 A1	11/2008	Pickard
D756,023 S	5/2016	Hoffer	2008/0278950 A1	11/2008	Pickard
D756,026 S	5/2016	Reynolds	2009/0166250 A1	5/2009	Hargreaves
D757,323 S	5/2016	Reynolds	2009/0231840 A1	9/2009	Boehme
D757,326 S	5/2016	Reynolds	2009/0262540 A1	10/2009	Hargreaves
D757,346 S	5/2016	Stanley	2009/0276478 A1	11/2009	Soman
9,335,038 B2	5/2016	Stanley	2009/0310373 A1	12/2009	Burkhauser
9,366,947 B2	6/2016	Miyata	2009/0316404 A1	12/2009	Mo
D762,320 S	7/2016	Reynolds	2009/0323335 A1	12/2009	Yang
D765,306 S	8/2016	Wardenburg	2010/0214789 A1	8/2010	Hawkes
D766,756 S	9/2016	Franc	2010/0238661 A1	9/2010	Pfund
9,451,743 B2	9/2016	Koerner	2010/0277908 A1	11/2010	Hu
D769,513 S	10/2016	Reynolds	2010/0277929 A1	11/2010	Hargreaves
D769,514 S	10/2016	Reynolds	2010/0295468 A1	11/2010	Pedersen
D770,079 S	10/2016	Stanley	2010/0302768 A1	12/2010	Collins
D770,082 S	10/2016	Reynolds	2011/0169412 A1	7/2011	Yurich
D770,670 S	11/2016	Reynolds	2011/0203096 A1	8/2011	Hargreaves
D770,671 S	11/2016	Reynolds	2011/0259665 A1	10/2011	Morgan
D771,301 S	11/2016	Stanley	2012/0051041 A1	3/2012	Edmond
D771,304 S	11/2016	Goltche	2012/0092859 A1	4/2012	Gregoris
D773,107 S	11/2016	Stanley	2012/0145699 A1	6/2012	McMahan
D774,234 S	12/2016	Plourde	2012/0212883 A1	8/2012	Hargreaves
D775,406 S	12/2016	Hargreaves	2012/0230035 A1	9/2012	Bradley, Jr.
D775,760 S	1/2017	Reynolds	2012/0302768 A1	11/2012	Janka et al.
			2013/0083539 A1	1/2013	Dimitriadis
			2013/0077329 A1	3/2013	Hessling
			2013/0155685 A1	6/2013	Stanley
			2013/0242573 A1	9/2013	Petrsoiki
			2013/0250567 A1	9/2013	Edmond



(56)

**References Cited**

## U.S. PATENT DOCUMENTS

2014/0378283	A1	12/2014	Qiu
2015/0023022	A1	1/2015	Stanley
2015/0098215	A1	4/2015	Torabifard
2015/0252992	A1	9/2015	Stanley
2015/0252993	A1	9/2015	Stanley
2015/0252994	A1	9/2015	Stanley
2015/0260381	A1	9/2015	Verfuerrth
2017/0211801	A1	7/2017	Stanley

## FOREIGN PATENT DOCUMENTS

EP	0325003	7/1989
EP	0440274	8/1991
WO	2002063210	8/2002
WO	2003060379	7/2003
WO	2008018000	2/2008
WO	2009096775	8/2009
WO	2011119451	9/2011

## OTHER PUBLICATIONS

Apollo Horticulture GLRLS24 6" Air Cooled Hydroponic Grow Light Glass Reflector Hood, image post date Oct. 15, 2010, site visited Oct. 3, 2014, (online), <[http://www.amazon.com/apollo-horticulture-GLRLS24-hydroponic-reflector/dp/B00BMVK8HG/ref=cm\\_cd\\_qh\\_dp\\_i](http://www.amazon.com/apollo-horticulture-GLRLS24-hydroponic-reflector/dp/B00BMVK8HG/ref=cm_cd_qh_dp_i)>.

Adjustable Reflector, image post date Apr. 23, 2012, site visited Sep. 23, 2015, [http://web.archive.org/web/2012043260757/http://hydroponics-products.en.alibaba.com/product/519225678-213056444/adjustable\\_reflector\\_grow\\_light\\_hydroponics\\_greenhouse\\_horticulture\\_reflector\\_hood.html](http://web.archive.org/web/2012043260757/http://hydroponics-products.en.alibaba.com/product/519225678-213056444/adjustable_reflector_grow_light_hydroponics_greenhouse_horticulture_reflector_hood.html).

Agrotech Magnum Reflector, image post date Feb. 5, 2012, site visited Oct. 31, 2014, [www.hydroponics.net/136580](http://www.hydroponics.net/136580).

Cree CR22, image post date Apr. 28, 2011, site visited Nov. 15, 2014, <http://ledsmagazine.com/content/dam/leds/migrated/objects/news/8/4/19/cree204272011.jpg>.

ZR series High Efficacy Troffer, image post date Apr. 13, 2012, site visited Oct. 31, 2014, [www.cree.com/lighting/products](http://www.cree.com/lighting/products).

Grow Lights Home Depot: Find many types of grow lights for your plant, published Dec. 22, 2012, online. Site visited Jun. 25, 2014. [Http://besthomedecorfurniture.com/gardening-d%C3%A9cor/grow-lights-home-depot-few-things-to-consider-when-buying-grow-lighting-plants-online.html](http://besthomedecorfurniture.com/gardening-d%C3%A9cor/grow-lights-home-depot-few-things-to-consider-when-buying-grow-lighting-plants-online.html).

LED Grow Light Comparison Test Review, Youtube.com, published Jun. 29, 2012, online. Site visited Jun. 25, 2014. [www.youtube.com/watch?v=f-8oy0qbgrs](http://www.youtube.com/watch?v=f-8oy0qbgrs).

Illuminator Pro-Series Hybrid 350W, wordpress.com, published Dec. 22, 2010, online, site visited Jun. 25, 2014. <http://growsetup.wordpress.com/category/grow-lights/>.

California Lightworks New SolarStorm 440W LED Grow Light with UVB, hydrobuilder.com, online. Site visited May 25, 2014. [http://hydrobuilder.com/solarstorm-440w-led-grow-light-with-uvb.html?dzid=strands\\_CLW-SS-440](http://hydrobuilder.com/solarstorm-440w-led-grow-light-with-uvb.html?dzid=strands_CLW-SS-440).

2013 Sunlight Supply Cataog, Issuu.com, published Aug. 1, 2013, online. Site visited Feb. 2, 2015. [http://issuu.com/sunlightsupply/docs/2013\\_sunlightproductcatalog/49](http://issuu.com/sunlightsupply/docs/2013_sunlightproductcatalog/49).

Pages 29 and 54 from 2014-2015 dealer catalog showing and describing Super Sun DE reflector published by Sunlight Supply, Inc. 2014.

Dominator XXXL Non AC Reflector pack of 3 Spec Sheet, GreenTreesHydroponics.com, date available Mar. 12, 2014, online. Site visited Feb. 3, 2015, <https://www.hydroponics.net/i/141477>.

Low Rider Air-Cooled Reflector—TinEye, image post date Oct. 11, 2012, site visited Oct. 1, 2015, [www.tineye.com/search/1b0e187c5ed9e4e9cfb55d0472271385a2c0e88/?pluginver](http://www.tineye.com/search/1b0e187c5ed9e4e9cfb55d0472271385a2c0e88/?pluginver).

OG Air Cooled Parabolic Reflector Only—Make the Most of Your Grow Light, GroWell Hydroponics, <http://www.growell.co.uk/og-air-cooled-parabolic-reflector-only.html>, pp. 1-2, accessed Aug. 26, 2014.

Air Resistance: Distinguishing Between Laminar and Turbulent Flow, [www.docstoc.com](http://www.docstoc.com), Dec. 29, 2010, p. 1-6.

Sun Systems LEC 630 Light Emitting Ceramic Fixture, Spec Sheet for 906217—Sun System LEC 630 120 Volt w/3100 K Lamps, [www.sunlightsupply.com/shop/bycategory/led-lighting/sun-system-lec-630-light-emitting-ceramic-fixture](http://www.sunlightsupply.com/shop/bycategory/led-lighting/sun-system-lec-630-light-emitting-ceramic-fixture), online, updated Feb. 9, 2015. Site visited Mar. 30, 2015, p. 1.

Mohri, Mineko, International Preliminary Report on Patentability for PCT/US2014/014959, dated Jan. 19, 2016.

A3V Reflector, Titaness Light Shop, [www.titanesslightshop.com/products-page/reflectors/a3v-reflector](http://www.titanesslightshop.com/products-page/reflectors/a3v-reflector), online. Site visited Jan. 14, 2015.

G2V Grow Light Reflector, Titaness Light Shop, [www.titanesslightshop.com/products-page/reflectors/g2v-grow-light-reflector](http://www.titanesslightshop.com/products-page/reflectors/g2v-grow-light-reflector), online. Site visited Jan. 14, 2015.

1000 Watt Galaxy Grow Amp Double Ended Grow Light Packages, image post date Jan. 30, 2014, site visited Jul. 8, 2016, <<http://www.ehydroponics.com/100-watt-galaxy-grow-amp-double-ended-grow-light-package.html>>.

2009-10-watt-light-set—TinEye, image post date May 23, 2012, site visited Jul. 8, 2016, <<https://www.tineye.com/search/2de39cf51f7a031139a80ce555e2f30d0abd5216/>>.

Square 10 Watt LED Grow Light, image post date Aug. 1, 2011, site visited Jul. 8, 2016, <<http://www.dhgate.com/store/product/hydroponic-vegetable-10-watt-led-grow-light/216755031.html>>.

Sun System 630 Ceramic Metal Halide 120v Specifications, GrowersHouse.com, update on Sep. 9, 2014, Online. Site visited Feb. 3, 2015. <[http://growershouse.com/aitdownloadablefiles/download/aitfile/aitfile\\_id/583/](http://growershouse.com/aitdownloadablefiles/download/aitfile/aitfile_id/583/)>.

Growlite HDE 600W-1000W Double Ended Lamp Concealed Vacuum Airflow Technology, Indoor Grow Science, site visited Aug. 3, 2016, <<http://www.indoorgrowscience.net/downloads/specs/hde.pdf>>.

Sun Systems LEC 315—Reviews?, rollitup.com forum, published Oct. 23, 2013, online. Visited Nov. 8, 2016. <<http://rollitup.org/t/sun-sytems-lec-315-reviews.742794>>.

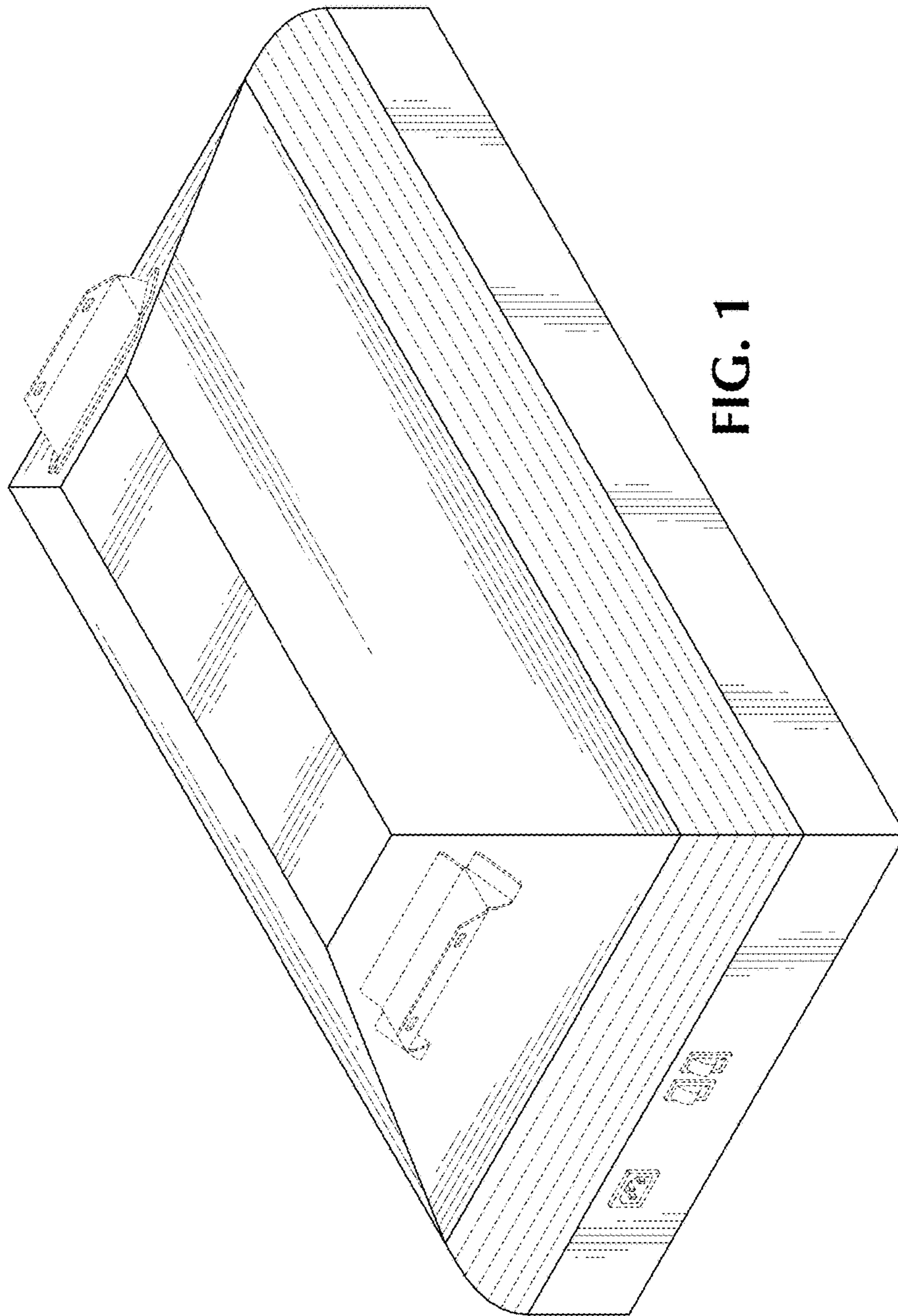
Sun System LEC 315 120v Light Emitting Ceramic Metal Halide Fixture w/ Free Ratchet Light Hangers, Amazon.com, earliest review of Jul. 2, 2014, online. Visited Nov. 8, 2016 <<https://www.amazon.com/sun-system-emitting-ceramic-fixture/dp/B00HBCV8TM>>. LEC 315 Watt Grow Light Great Yield Reports!, YouTube.com, published Mar. 31, 2014, online. Visited Nov. 8, 2016. <<https://www.youtube.com/watch?v=QqcoW19KnUk>>.

Air Cooled Grow Lights, greensteamhydroponics.com, published May 24, 2014, online. Site visited Nov. 16, 2016. <[http://web.archive.org/web/20140524103407/http://www.greensteamhydroponics.com/aircooled-reflector-range-from-greenstream-hydroponics/prod\\_699.html](http://web.archive.org/web/20140524103407/http://www.greensteamhydroponics.com/aircooled-reflector-range-from-greenstream-hydroponics/prod_699.html)>.

AplusChoice—Hydroponics, image post date Dec. 2, 2014, site visited Jul. 13, 2017, (online), <[https://www.tineye.com/search/6589596c8738268de70acceca20d64855d0f1d2/?sort=crawal\\_date&order=asc](https://www.tineye.com/search/6589596c8738268de70acceca20d64855d0f1d2/?sort=crawal_date&order=asc)>.

Power 600 wat HPS MH Grow Light Digital Dimm System Indoor Garden Set, image post date 2013, site visited Jul. 13, 2017, (online), <[https://bidjapon.com/item\\_View.aspx?itemId=150928769289](https://bidjapon.com/item_View.aspx?itemId=150928769289)>.

\* cited by examiner





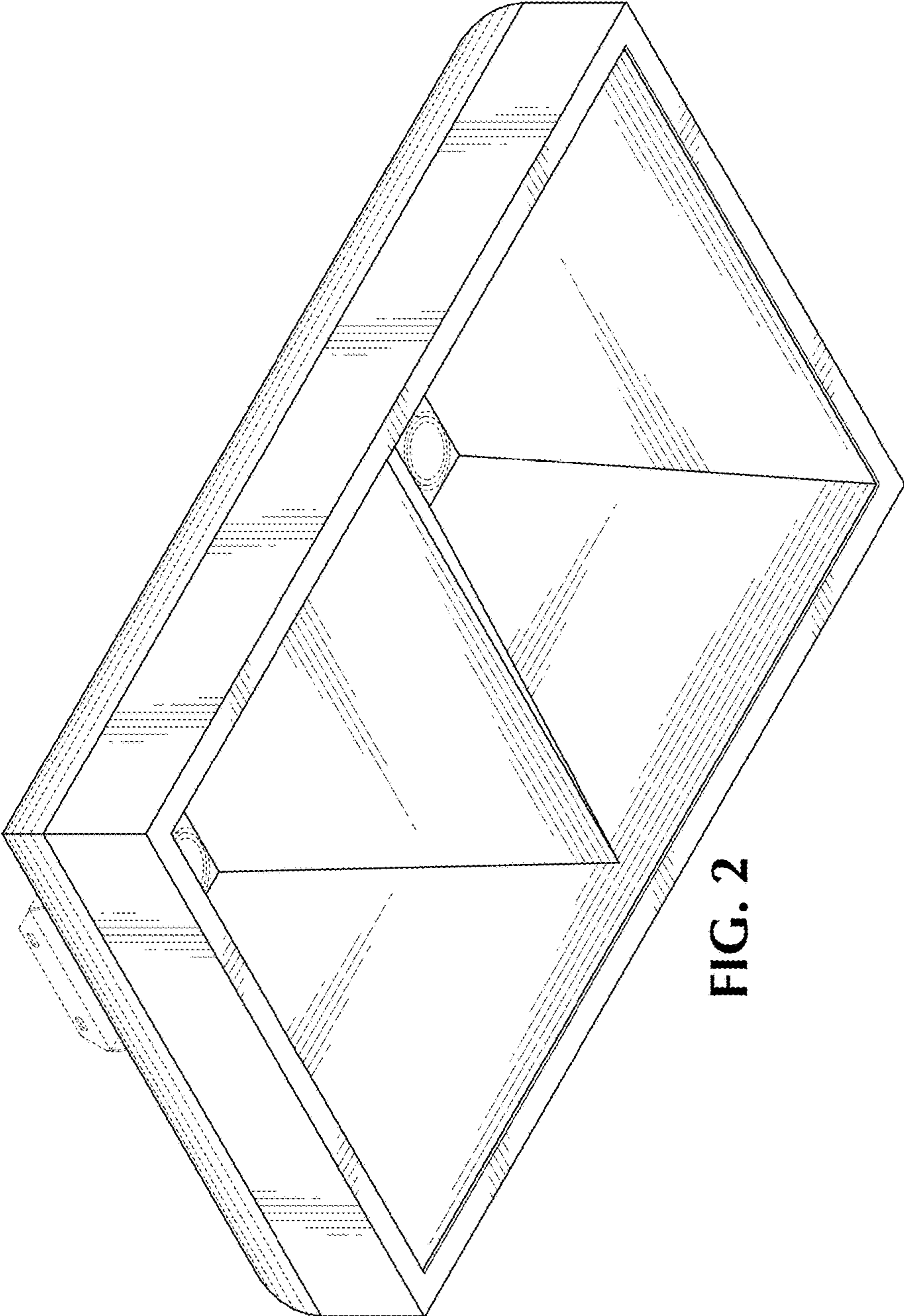


FIG. 2

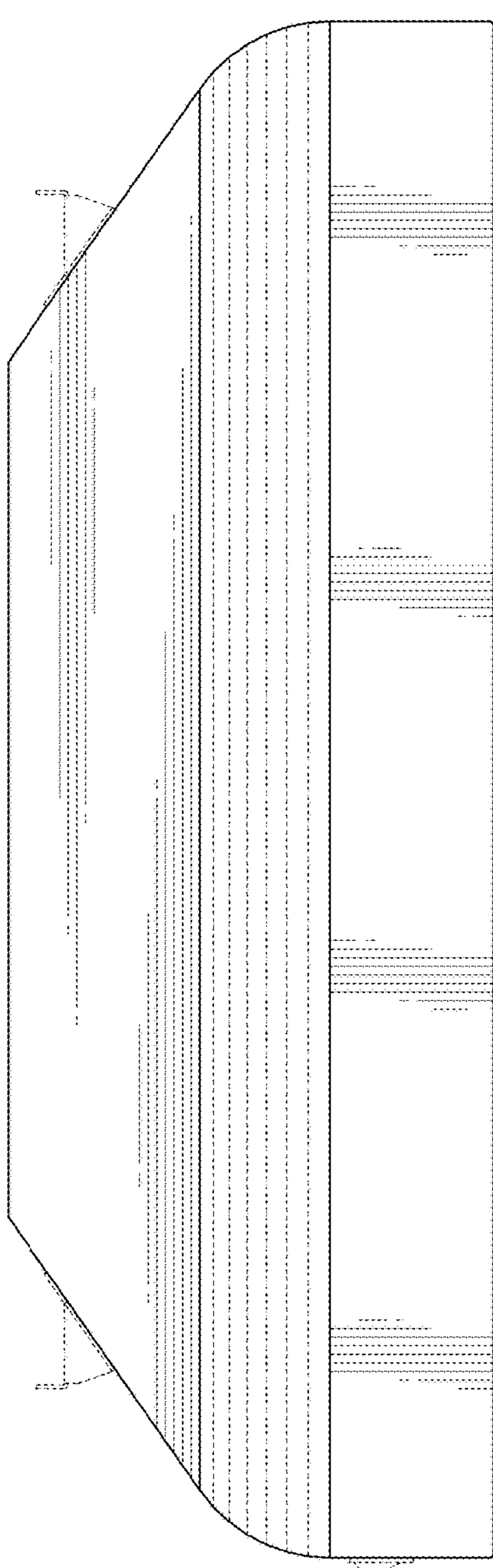


FIG. 3

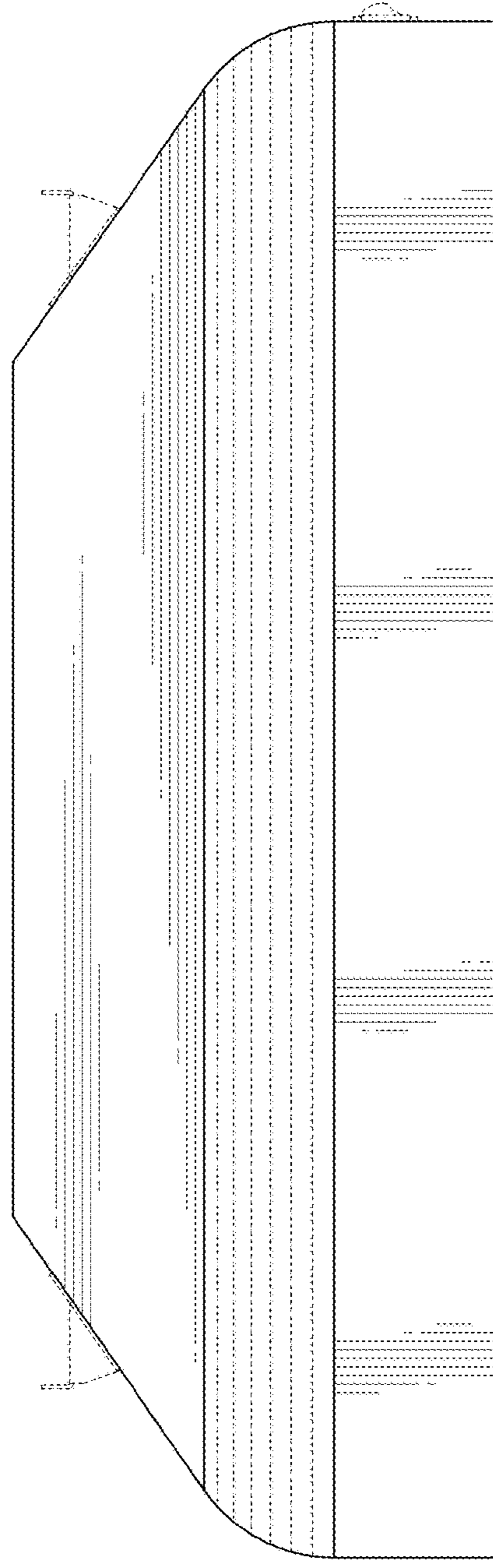


FIG. 4



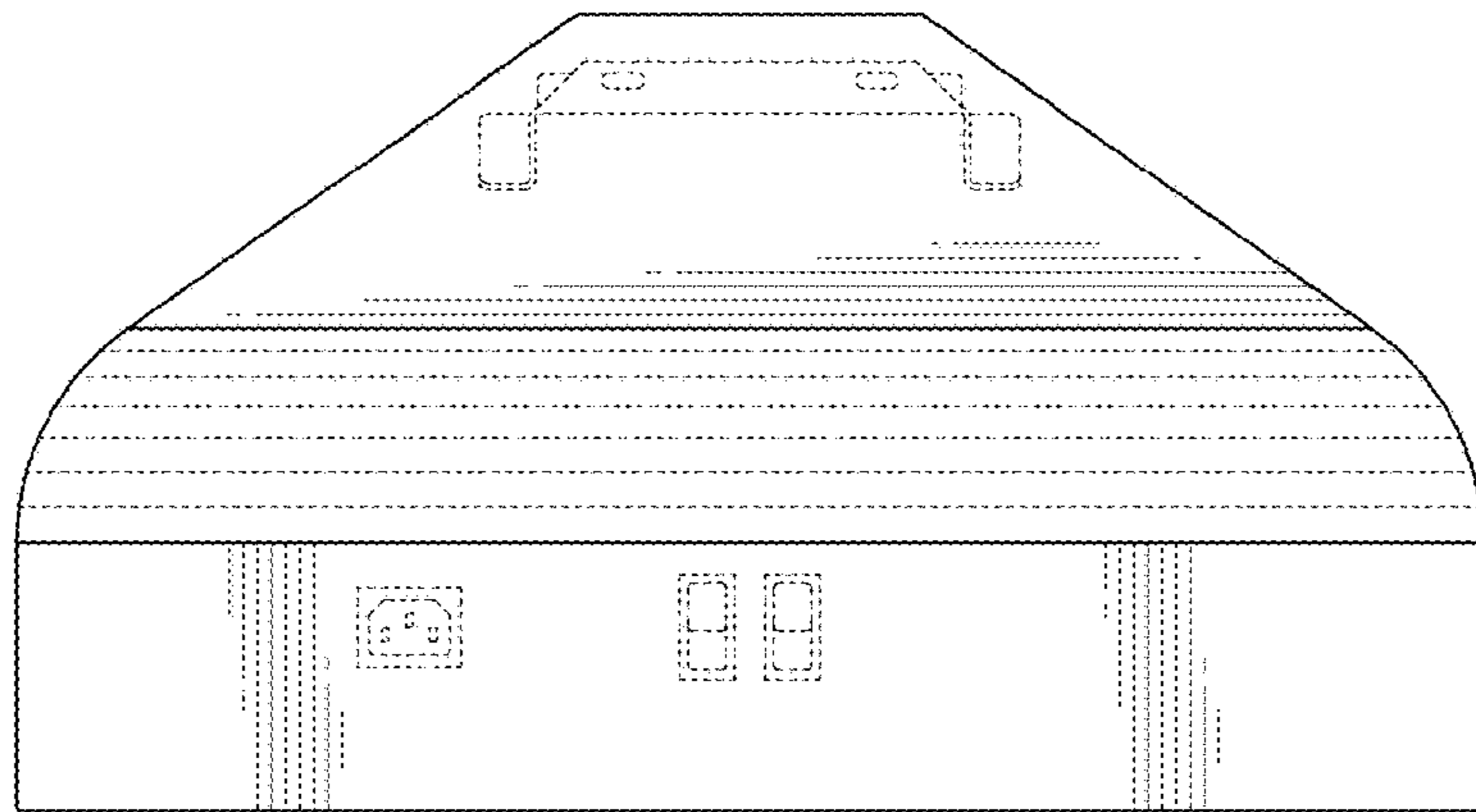


FIG. 5

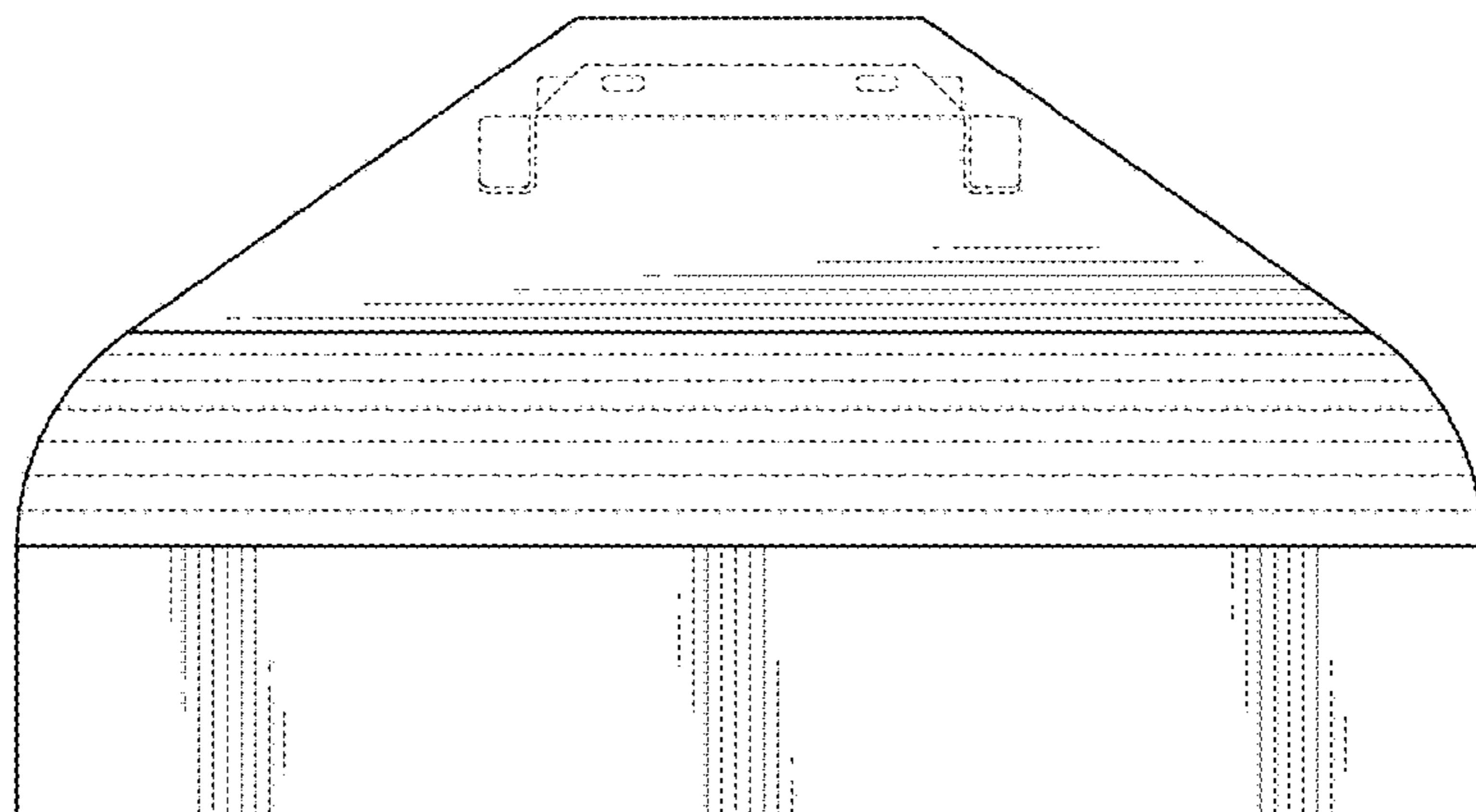


FIG. 6

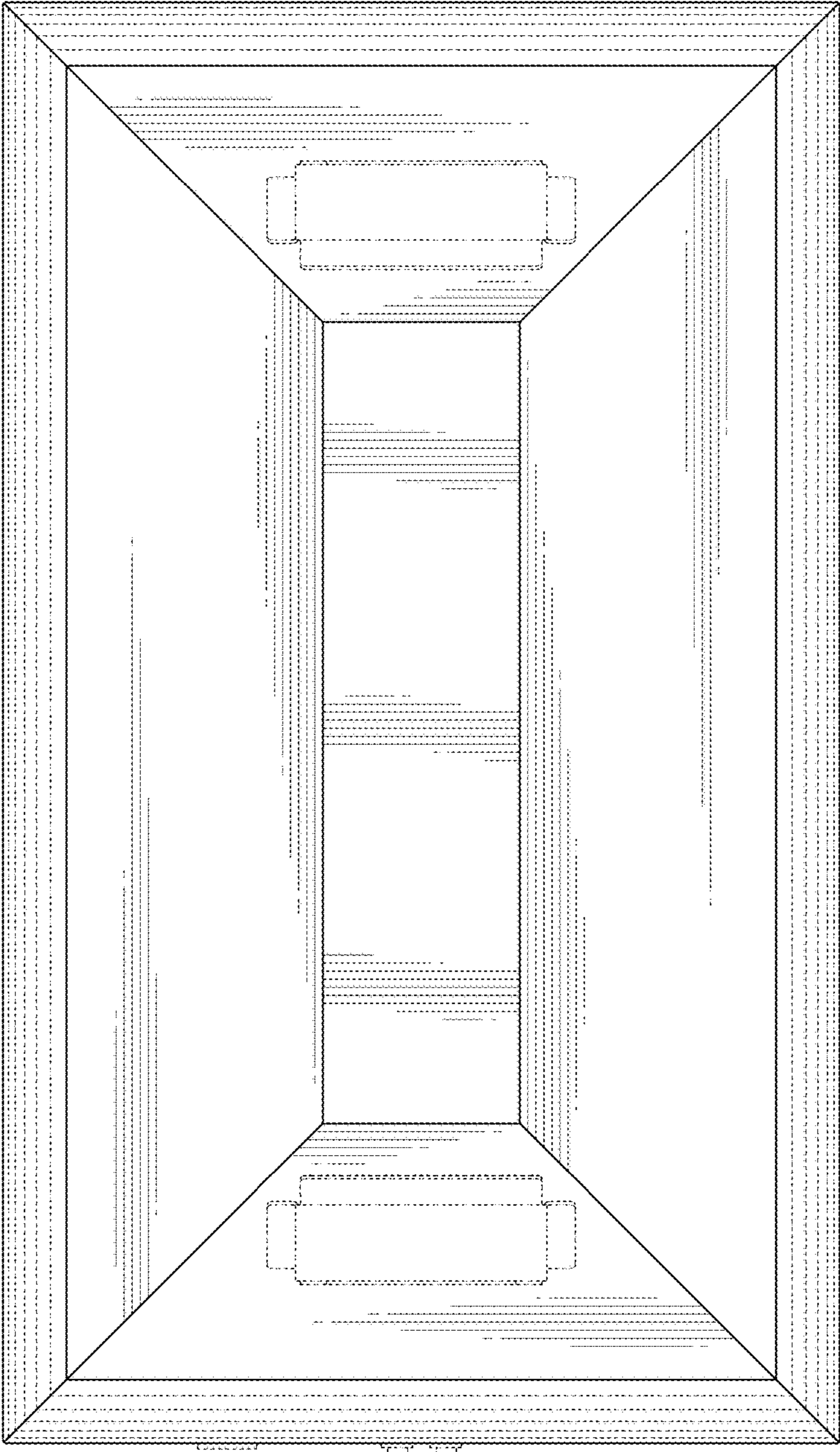


FIG. 7



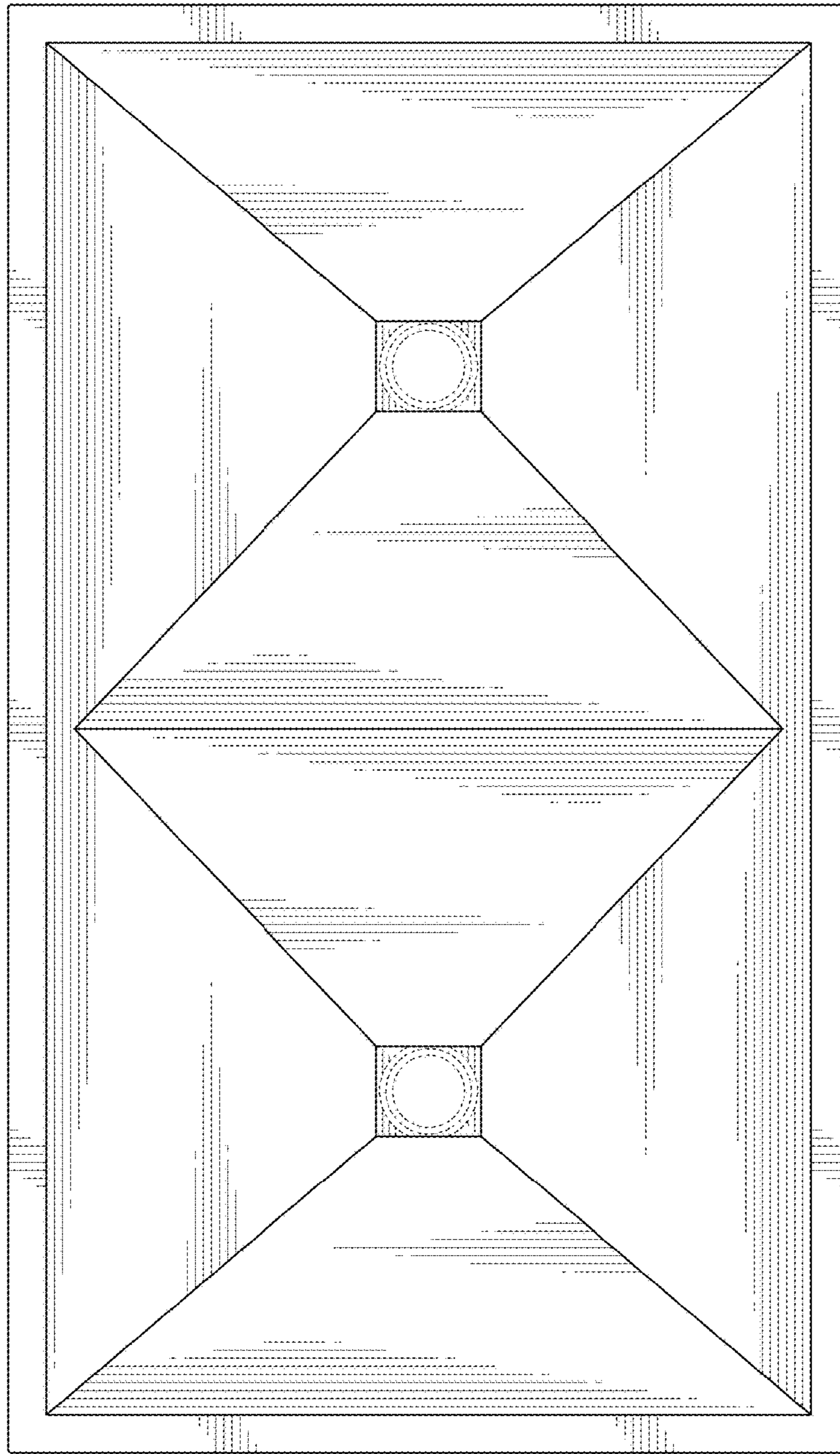


FIG. 8