



US00D848662S

(12) **United States Design Patent**  
**Reynolds**

(10) **Patent No.:** **US D848,662 S**

(45) **Date of Patent:** **\*\* May 14, 2019**

(54) **LIGHT REFLECTOR**

(71) Applicant: **HGCI, Inc.**, Las Vegas, NV (US)  
(72) Inventor: **Christopher Reynolds**, Vancouver, WA (US)

(73) Assignee: **HGCI, Inc.**, Las Vegas, NV (US)

(\*\*) Term: **15 Years**

(21) Appl. No.: **29/624,824**

(22) Filed: **Nov. 3, 2017**

(51) **LOC (11) Cl.** ..... **26-99**

(52) **U.S. Cl.**  
USPC ..... **D26/118**

(58) **Field of Classification Search**  
USPC ... D26/9, 10, 12, 13, 15, 16, 24, 51, 61, 72,  
D26/76, 80, 81, 85, 86, 88, 90, 113, 118,  
(Continued)

(56) **References Cited**

U.S. PATENT DOCUMENTS

D85,382 S 10/1931 Guth  
2,194,841 A 3/1940 Welch  
(Continued)

*Primary Examiner* — Brian N. Vinson

(74) *Attorney, Agent, or Firm* — J. Douglas Wells

(57) **CLAIM**

The ornamental design for a light reflector, as shown and described.

**DESCRIPTION**

FIG. 1 is a perspective view of a first embodiment of a light reflector, as viewed from above, showing my new design;  
FIG. 2 is a perspective view of the light reflector shown in FIG. 1, as viewed from below;  
FIG. 3 is a left side view of the light reflector shown in FIG. 1;

FIG. 4 is a right side view of the light reflector shown in FIG. 1;  
FIG. 5 is a front elevation view of the light reflector shown in FIG. 1;  
FIG. 6 is a rear elevation view of the light reflector shown in FIG. 1;  
FIG. 7 is a top plan view of the light reflector shown in FIG. 1;  
FIG. 8 is a bottom plan view of the light reflector shown in FIG. 1;  
FIG. 9 is a perspective view of a second embodiment of a light reflector, stippled for a contrasted color or surface finish appearance, as viewed from above, showing my new design;  
FIG. 10 is a perspective view of the light reflector shown in FIG. 9, as viewed from below;  
FIG. 11 is a left side view of the light reflector shown in FIG. 9;  
FIG. 12 is a right side view of the light reflector shown in FIG. 9;  
FIG. 13 is a front elevation view of the light reflector shown in FIG. 9;  
FIG. 14 is a rear elevation view of the light reflector shown in FIG. 9;  
FIG. 15 is a top plan view of the light reflector shown in FIG. 9;  
FIG. 16 is a bottom plan view of the light reflector shown in FIG. 9;  
FIG. 17 is a perspective view of a third embodiment of a light reflector, stippled for a contrasted color or surface finish appearance, as viewed from above, showing my new design;  
FIG. 18 is a perspective view of the light reflector shown in FIG. 1, as viewed from below;  
FIG. 19 is a left side view of the light reflector shown in FIG. 1;  
FIG. 20 is a right side view of the light reflector shown in FIG. 1;  
FIG. 21 is a front elevation view of the light reflector shown in FIG. 1;  
FIG. 22 is a rear elevation view of the light reflector shown in FIG. 1;  
FIG. 23 is a top plan view of the light reflector shown in FIG. 1; and,

(Continued)

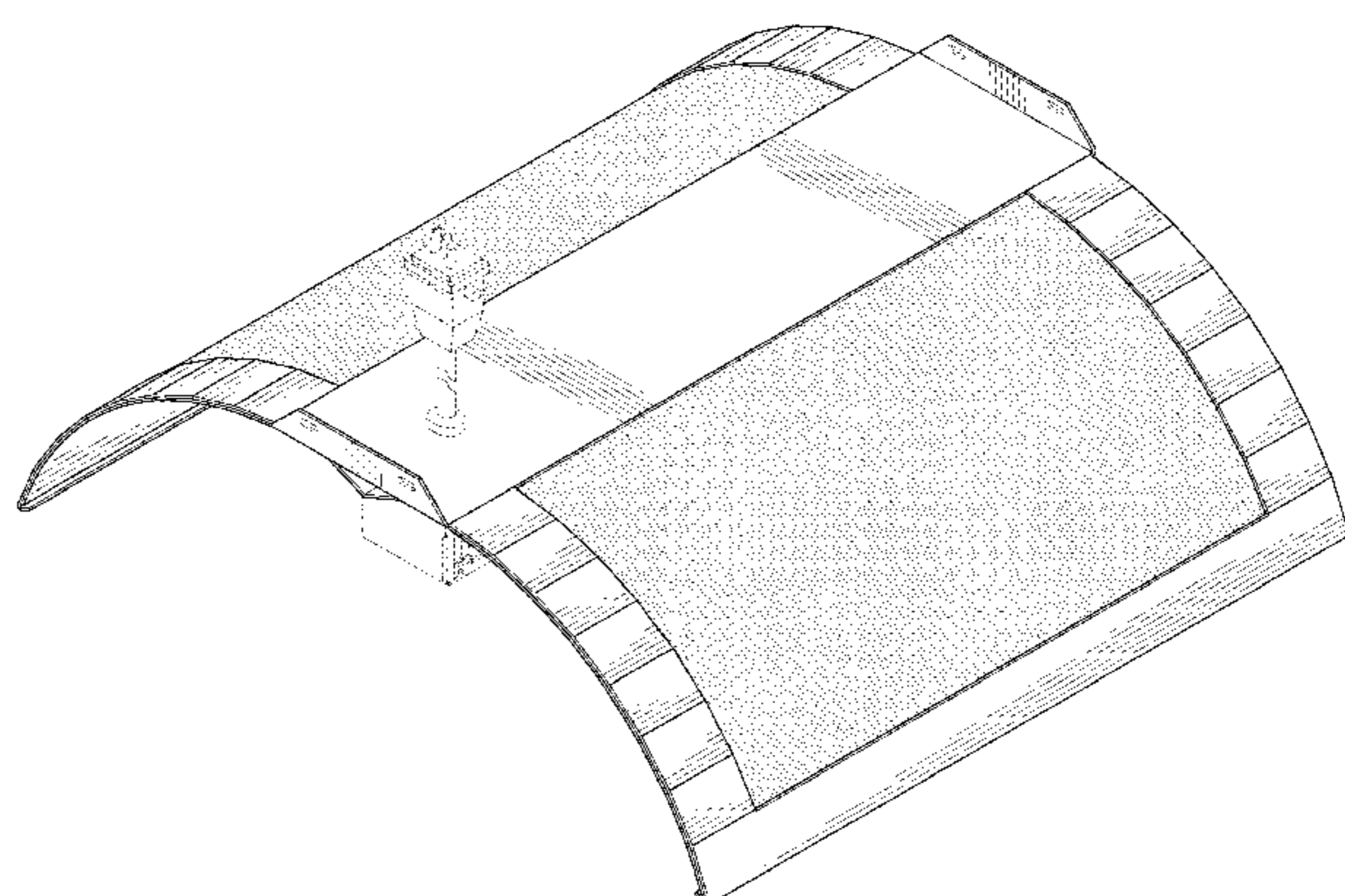
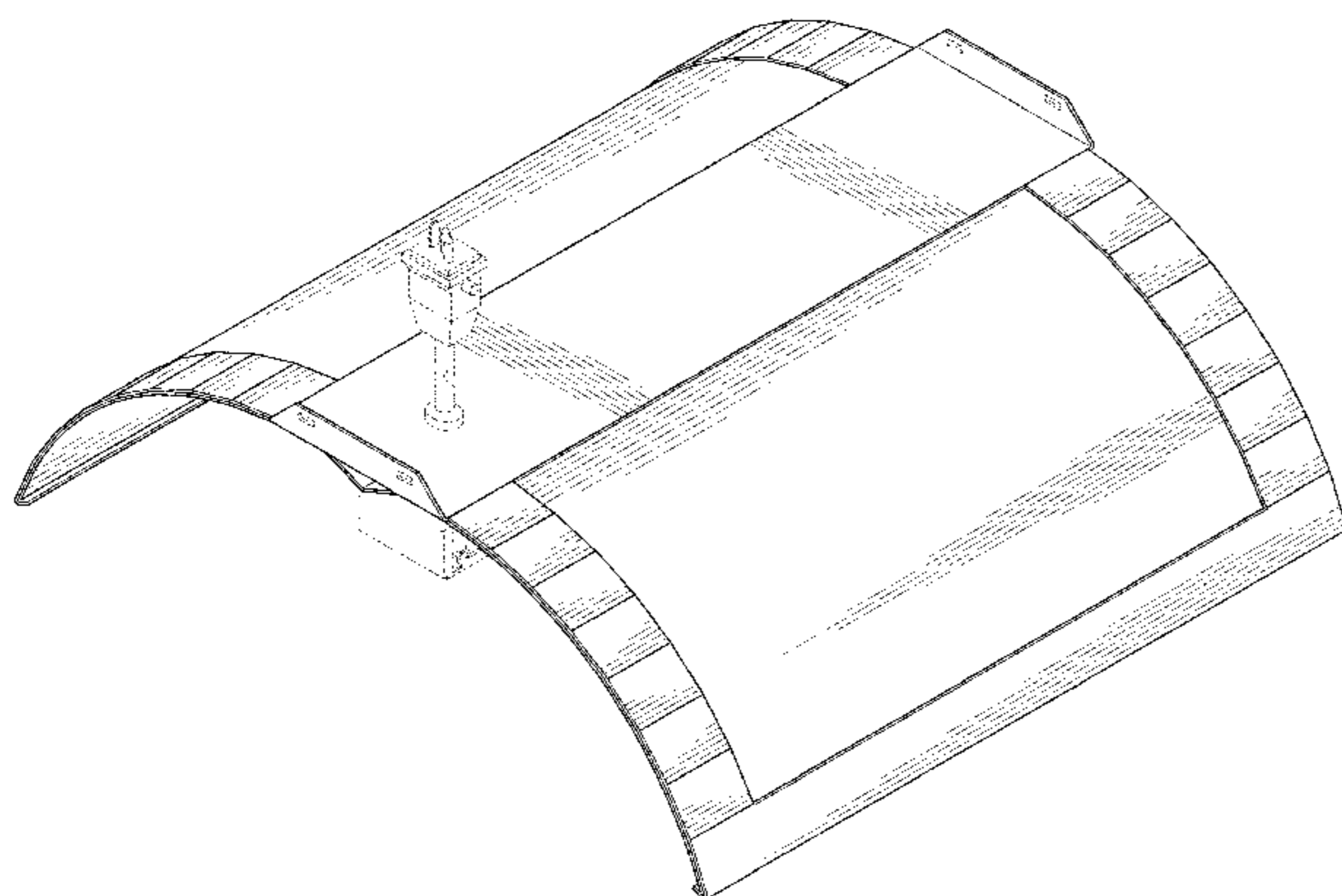


FIG. 24 is a bottom plan view of the light reflector shown in FIG. 1.

The broken-line disclosure shown in the views is understood to represent portions of the article in which the claimed design is embodied, but which form no part of the claimed design.

The stippling shown in the drawings illustrate portions of the light reflector to which color or surface treatment form a part of the claimed design, and the stippling itself forms no part of the claimed design.

**1 Claim, 21 Drawing Sheets**

(58) **Field of Classification Search**

USPC ..... D26/119, 120, 122, 128, 129, 138, 143, D26/144  
 CPC .... B60Q 1/04; B60Q 1/26; F21S 8/026; F21S 8/04; F21V 21/02; F21V 29/004; F21V 21/04; F21V 29/2212; F21V 7/22; F21V 29/83; F21V 37/002; F21V 7/00; F21L 19/00; F23D 11/443; F21Y 2101/02; A61L 9/037

See application file for complete search history.

(56) **References Cited**

U.S. PATENT DOCUMENTS

D177,532 S 4/1956 Meyer  
 3,025,391 A 3/1962 Golko  
 D193,802 S 10/1962 Thomsen  
 3,125,301 A 3/1964 Stotter  
 3,272,978 A 9/1966 Jackson  
 4,078,169 A 3/1978 Armstrong  
 D259,738 S 6/1981 Boschetti  
 4,669,033 A 5/1987 Lee  
 4,814,954 A 3/1989 Spitz  
 4,933,821 A 6/1990 Anderson  
 D311,597 S 10/1990 Poot  
 5,132,885 A 7/1992 Hocheim  
 5,192,129 A 3/1993 Figueroa  
 5,195,822 A 3/1993 Takahashi  
 5,440,470 A 8/1995 Ly  
 5,570,947 A 11/1996 Felland  
 D376,437 S 12/1996 Karlo  
 D383,243 S 9/1997 Fry

D397,481 S 8/1998 Shafer  
 D399,328 S 10/1998 Compton  
 D400,289 S 10/1998 Wardenburg  
 D415,304 S 10/1999 Brown  
 D418,626 S 1/2000 Herst  
 6,024,468 A 2/2000 Kassay  
 6,042,250 A 3/2000 Stragnola  
 6,053,624 A 4/2000 Cronk  
 D425,237 S 5/2000 Scott  
 D428,516 S 7/2000 Reo  
 6,231,209 B1 5/2001 Leibig  
 D445,943 S 7/2001 Littman  
 6,257,735 B1 7/2001 Baar  
 D447,272 S 8/2001 Smith  
 D456,938 S 5/2002 Wardenburg  
 D467,026 S 12/2002 Parker  
 6,659,628 B2 12/2003 Del Campo  
 6,908,212 B2 6/2005 Schultz  
 D543,652 S 5/2007 Hargreaves  
 D544,136 S 6/2007 Hargreaves  
 D544,994 S 6/2007 Hargreaves  
 D544,995 S 6/2007 Hargreaves  
 D545,484 S 6/2007 Hargreaves  
 D545,485 S 6/2007 Hargreaves  
 D545,996 S 7/2007 Hargreaves  
 D614,801 S 4/2010 Collins  
 D634,060 S 3/2011 Wardenburg  
 D634,469 S 3/2011 Hargreaves  
 D675,369 S 1/2013 Michaud  
 D693,959 S 11/2013 Boyer  
 D698,986 S 2/2014 Reynolds  
 D699,386 S \* 2/2014 Park ..... D26/118  
 8,905,575 B2 12/2014 Durkee  
 D731,701 S 6/2015 Hargreaves  
 D732,235 S 6/2015 Reynolds  
 D732,236 S 6/2015 Reynolds  
 D736,450 S 8/2015 Reynolds  
 D740,486 S 10/2015 Stanley  
 D747,029 S 1/2016 Reynolds  
 D748,849 S 2/2016 Stanley  
 D750,316 S 2/2016 Reynolds  
 D751,244 S 3/2016 Reynolds  
 D751,247 S 3/2016 Reynolds  
 D768,910 S \* 10/2016 Reynolds ..... D26/118  
 D770,081 S 10/2016 Reynolds  
 D786,486 S \* 5/2017 Reynolds ..... D26/118  
 D797,352 S \* 9/2017 Stanley ..... D26/118  
 D822,883 S \* 7/2018 Stanley ..... D26/118  
 D831,265 S \* 10/2018 Stanley ..... D26/118  
 D835,334 S \* 12/2018 Dal Ponte ..... D26/118  
 2002/0141195 A1 10/2002 Peter

\* cited by examiner

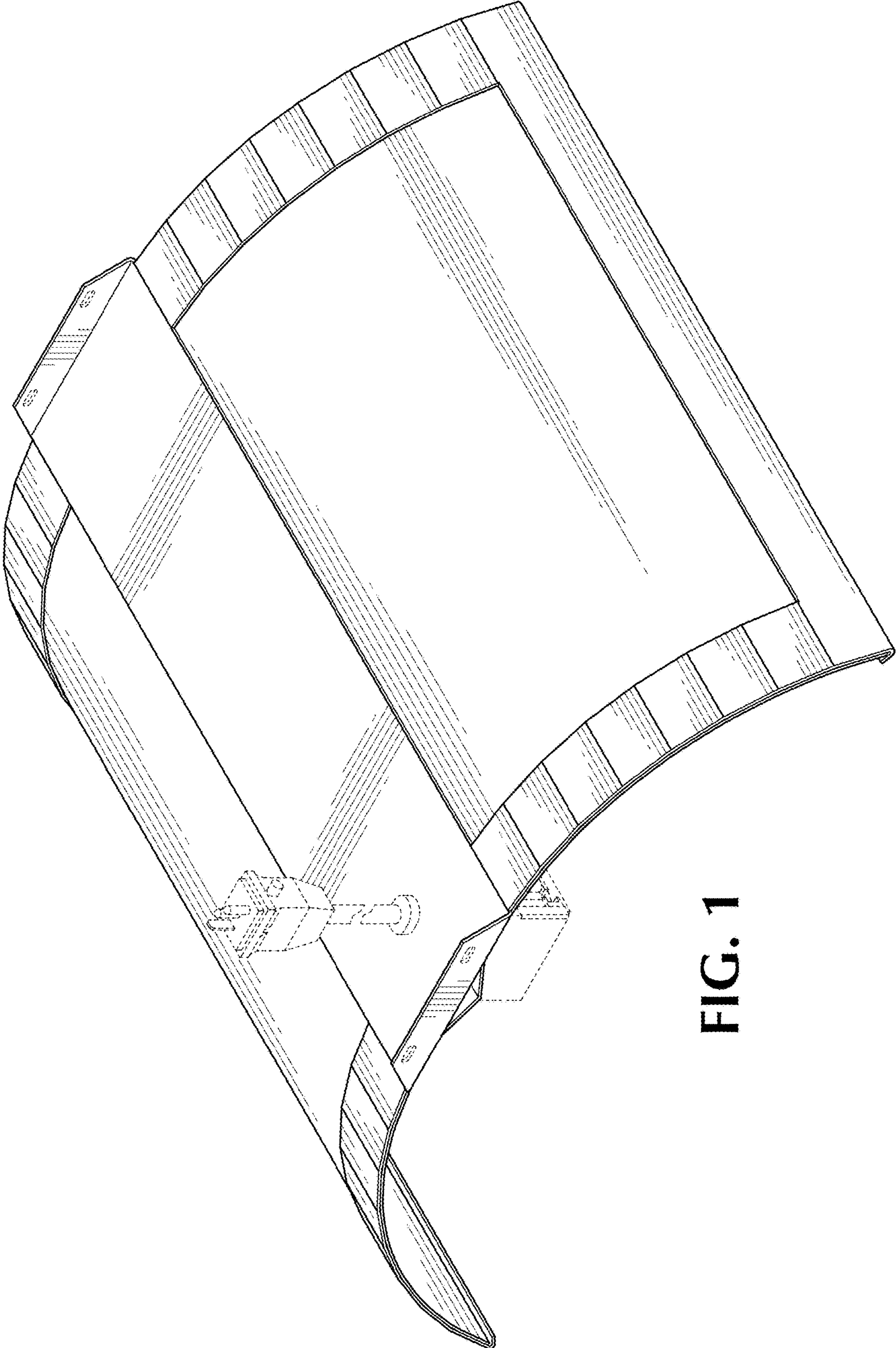


FIG. 1

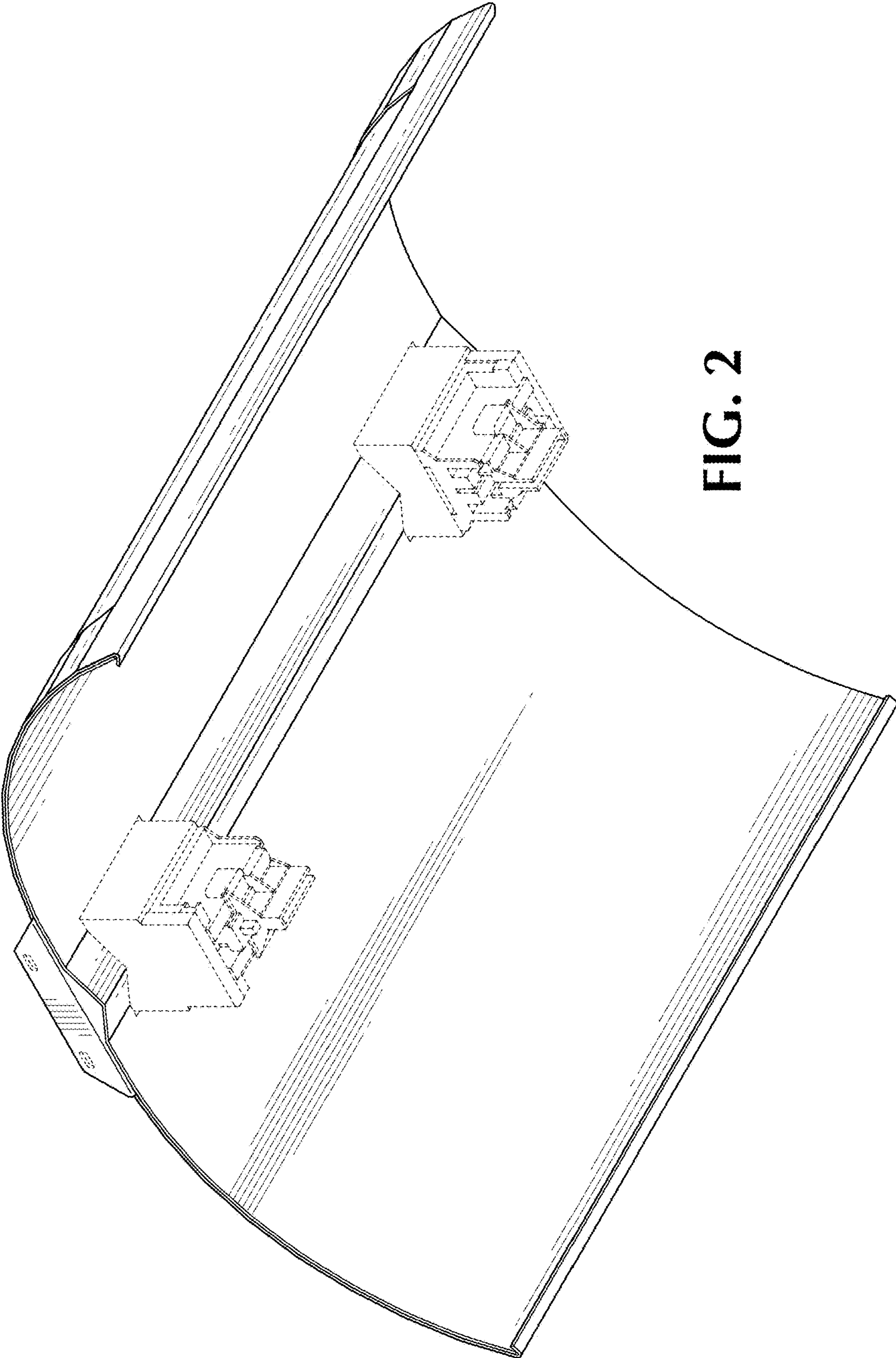


FIG. 2

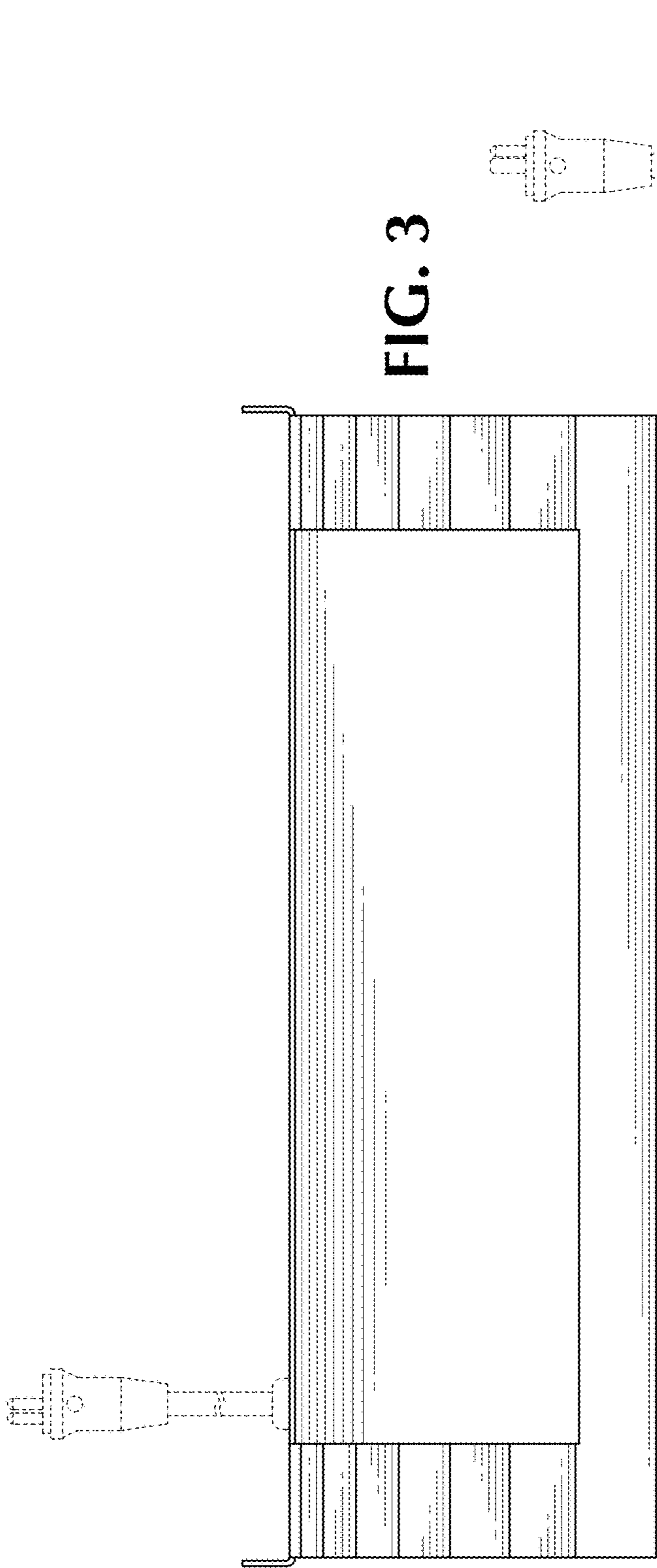


FIG. 3

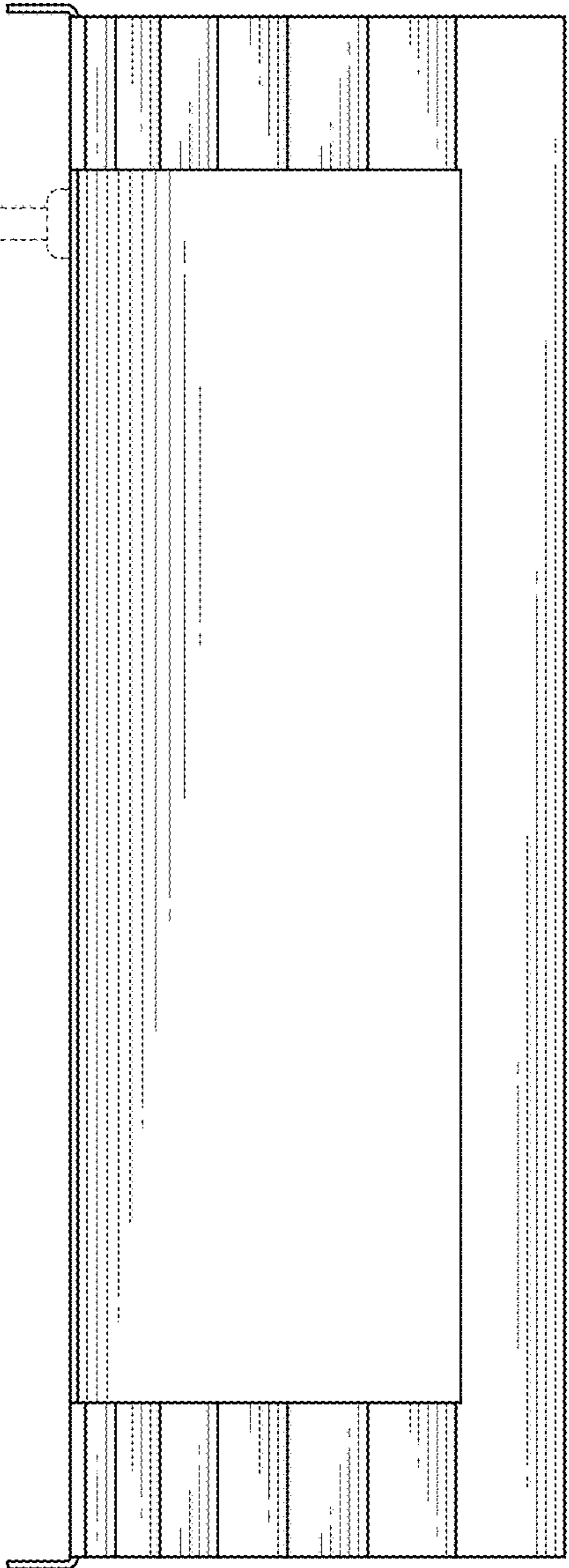


FIG. 4

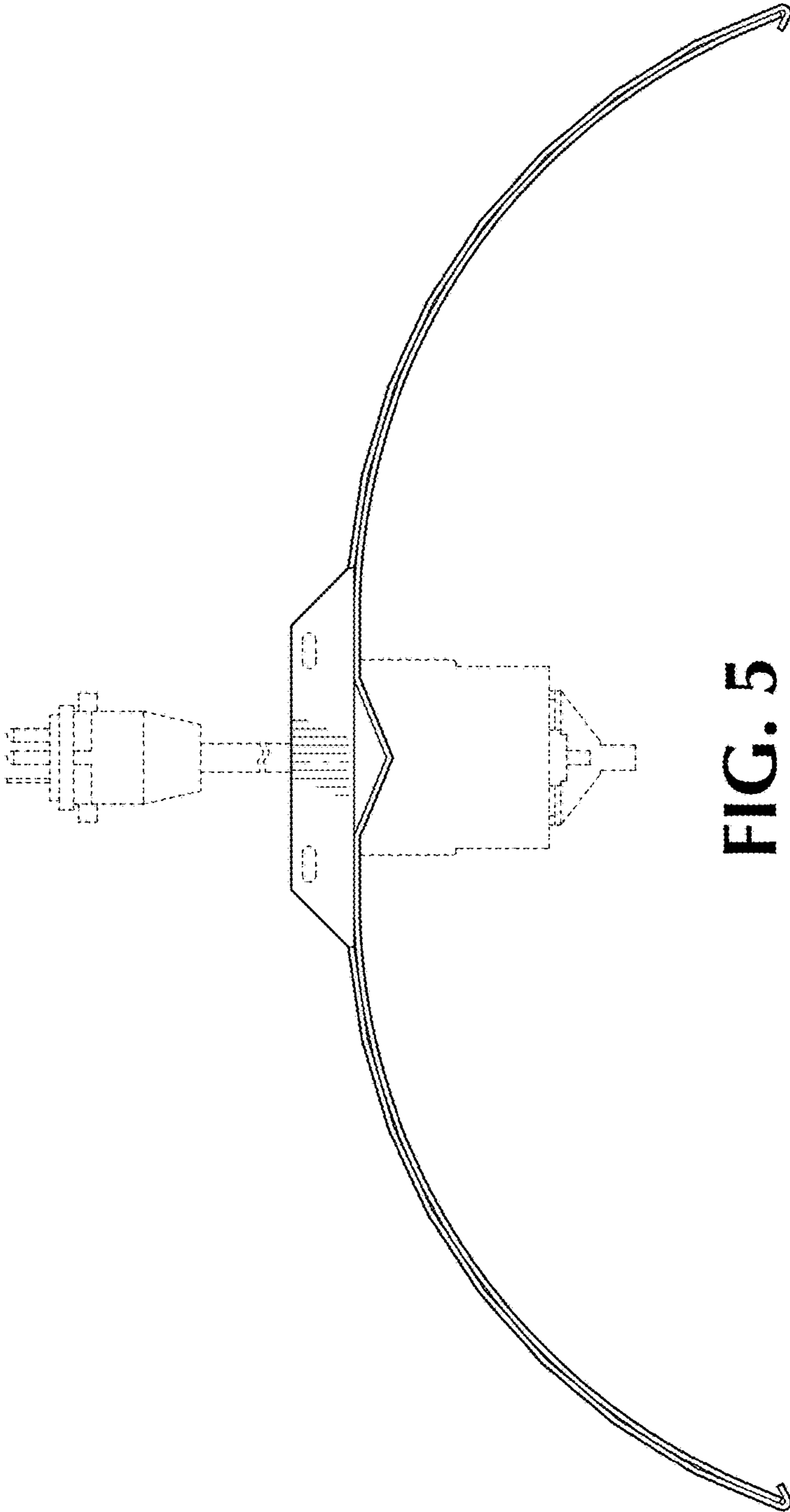
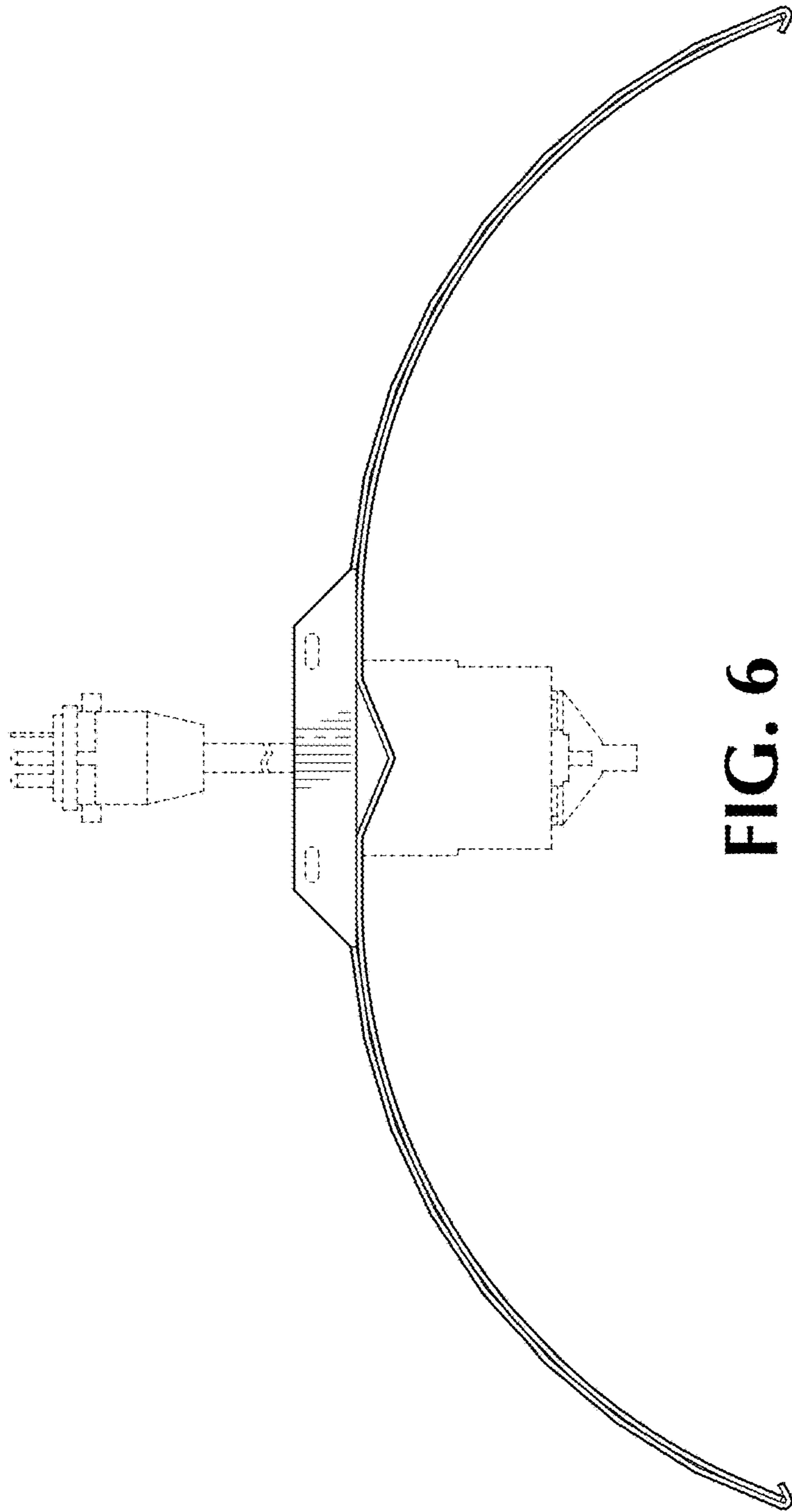


FIG. 5



**FIG. 6**

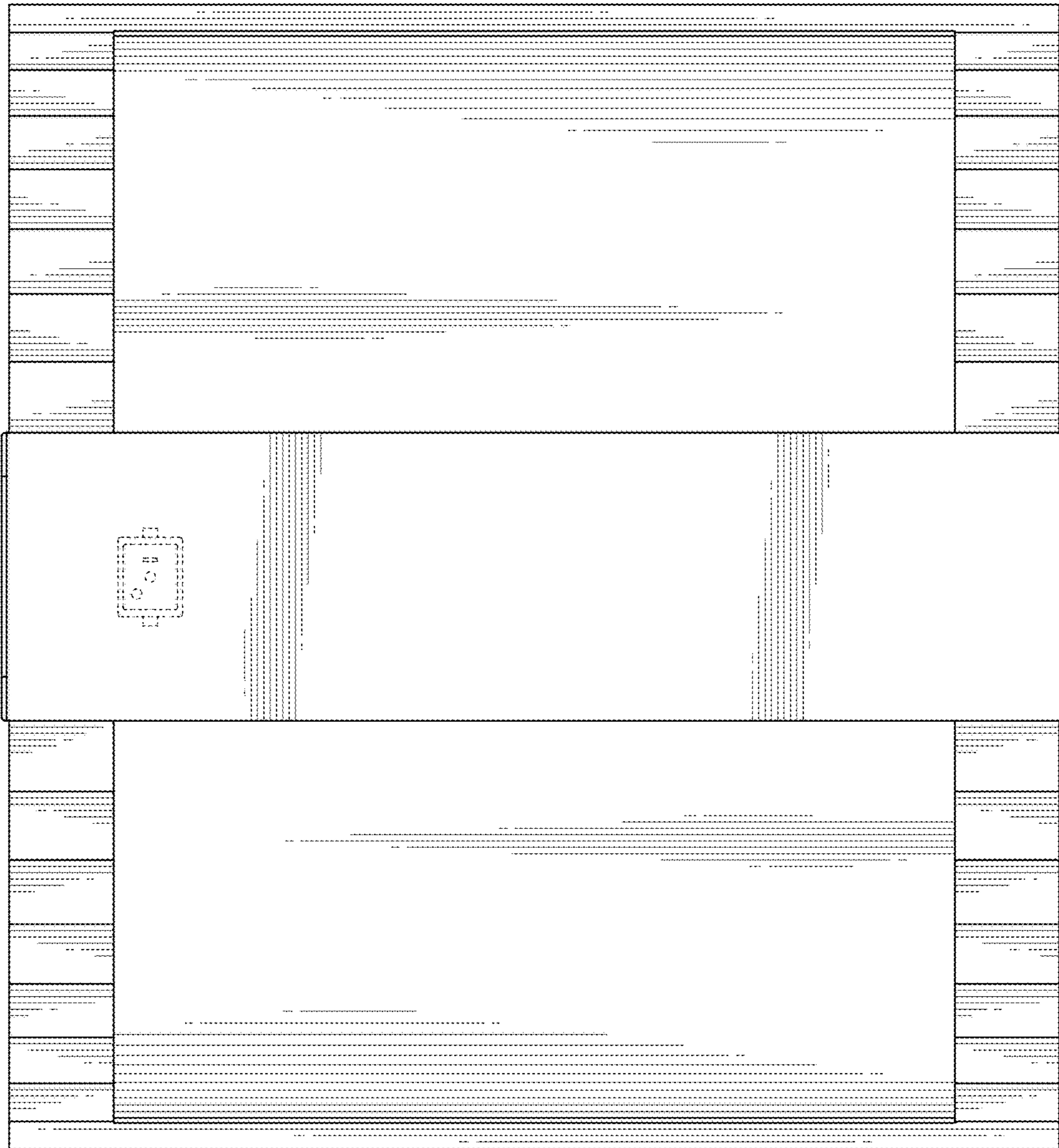


FIG. 7



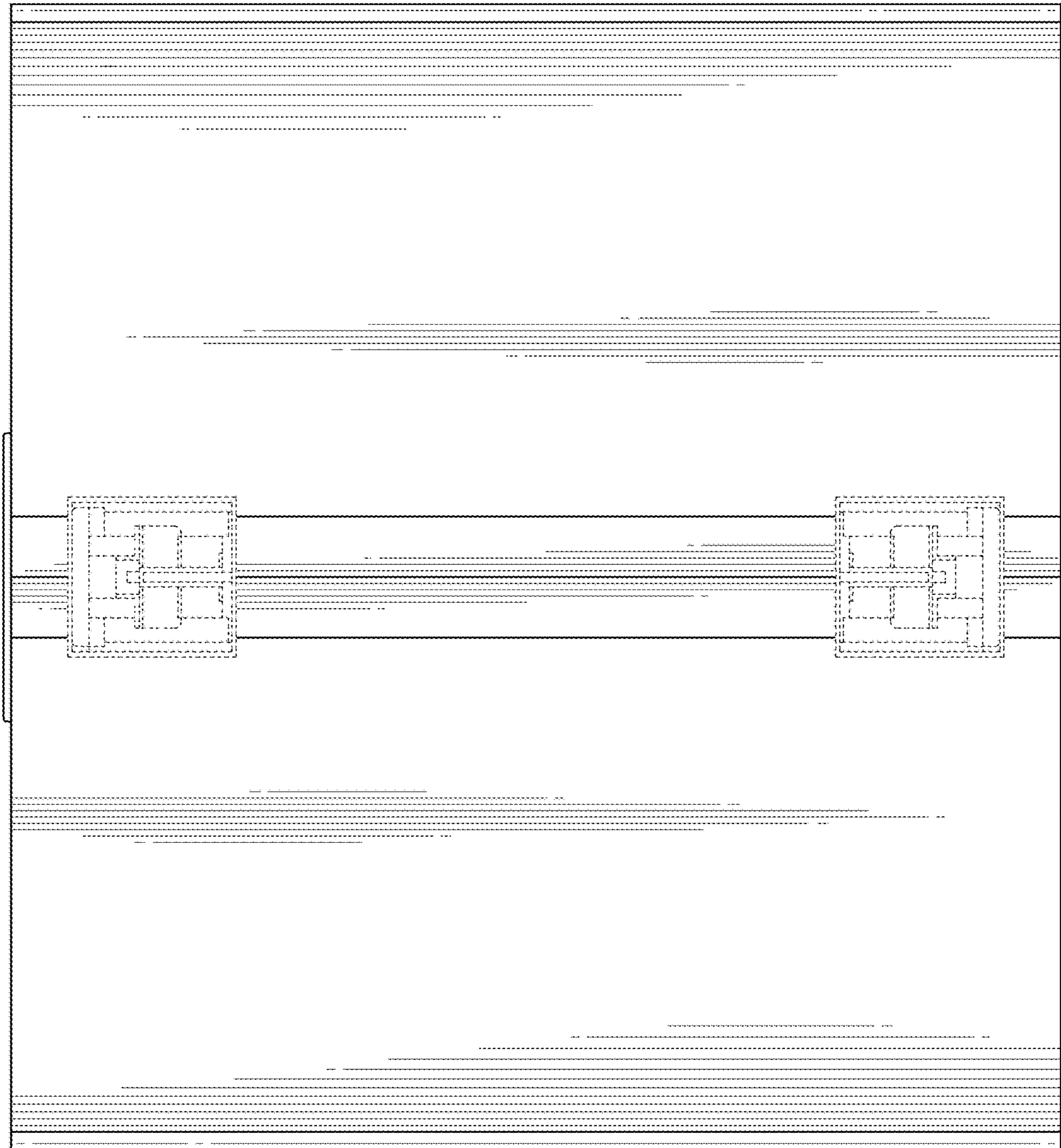


FIG. 8

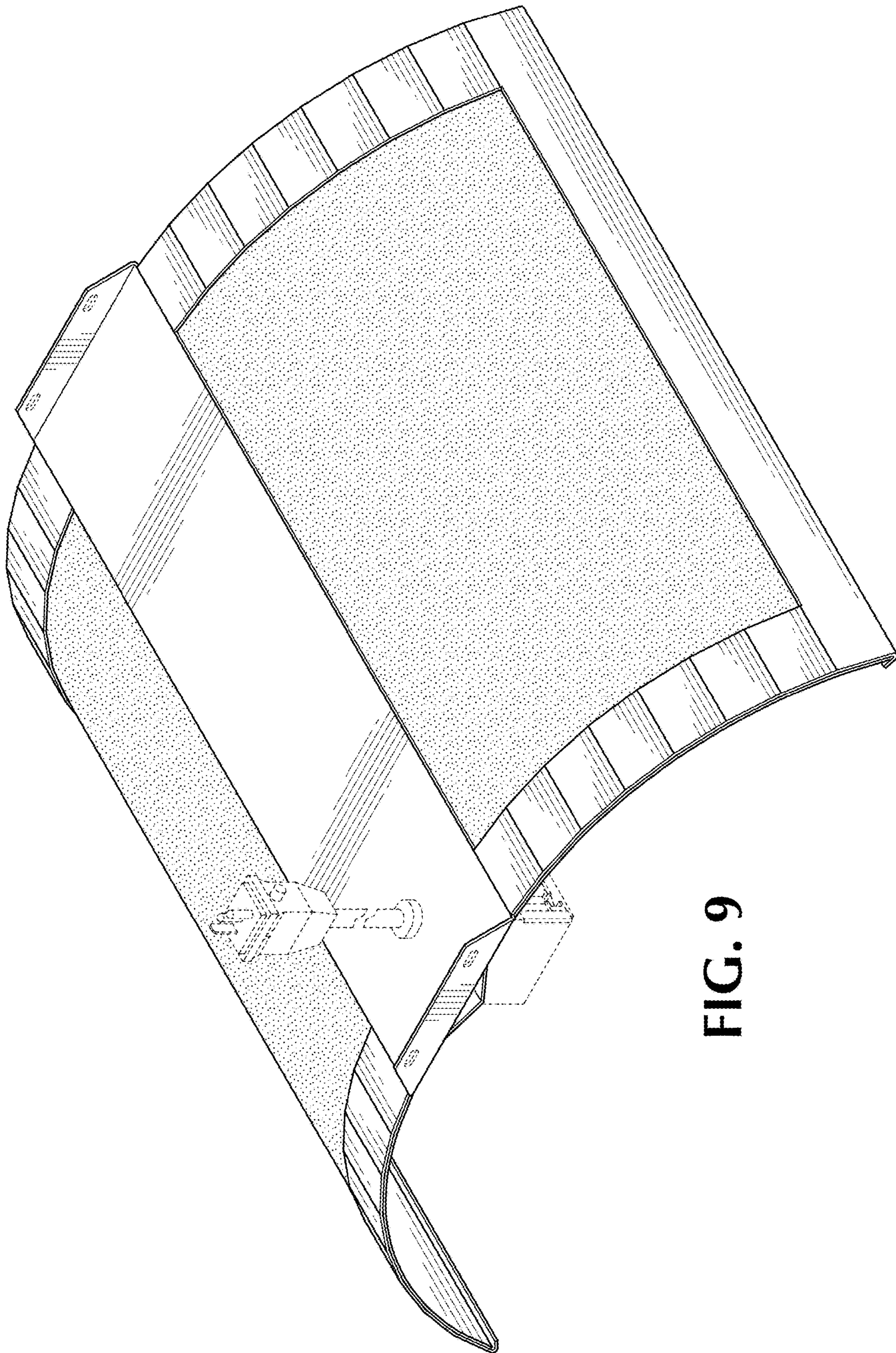


FIG. 9

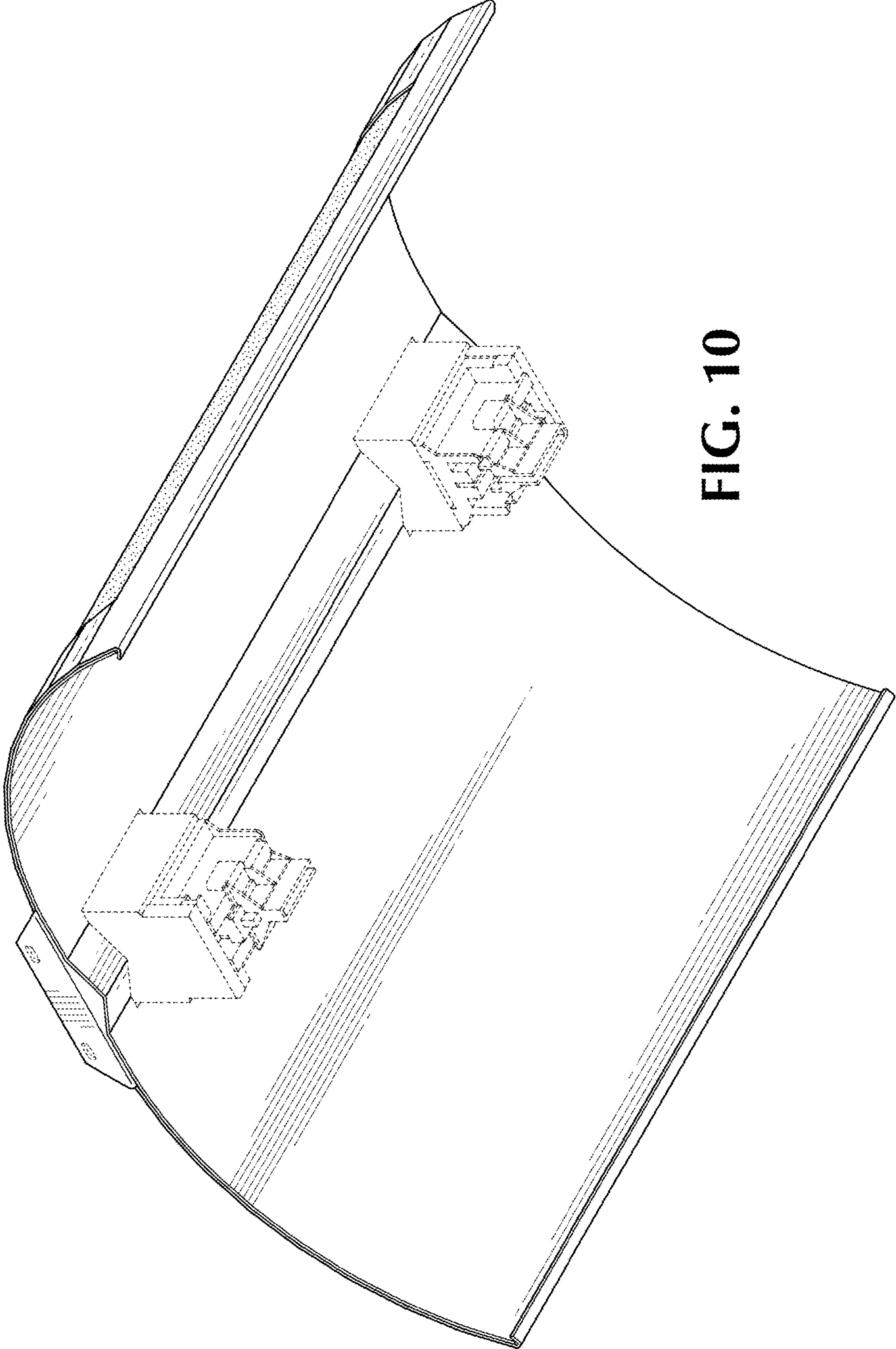


FIG. 10

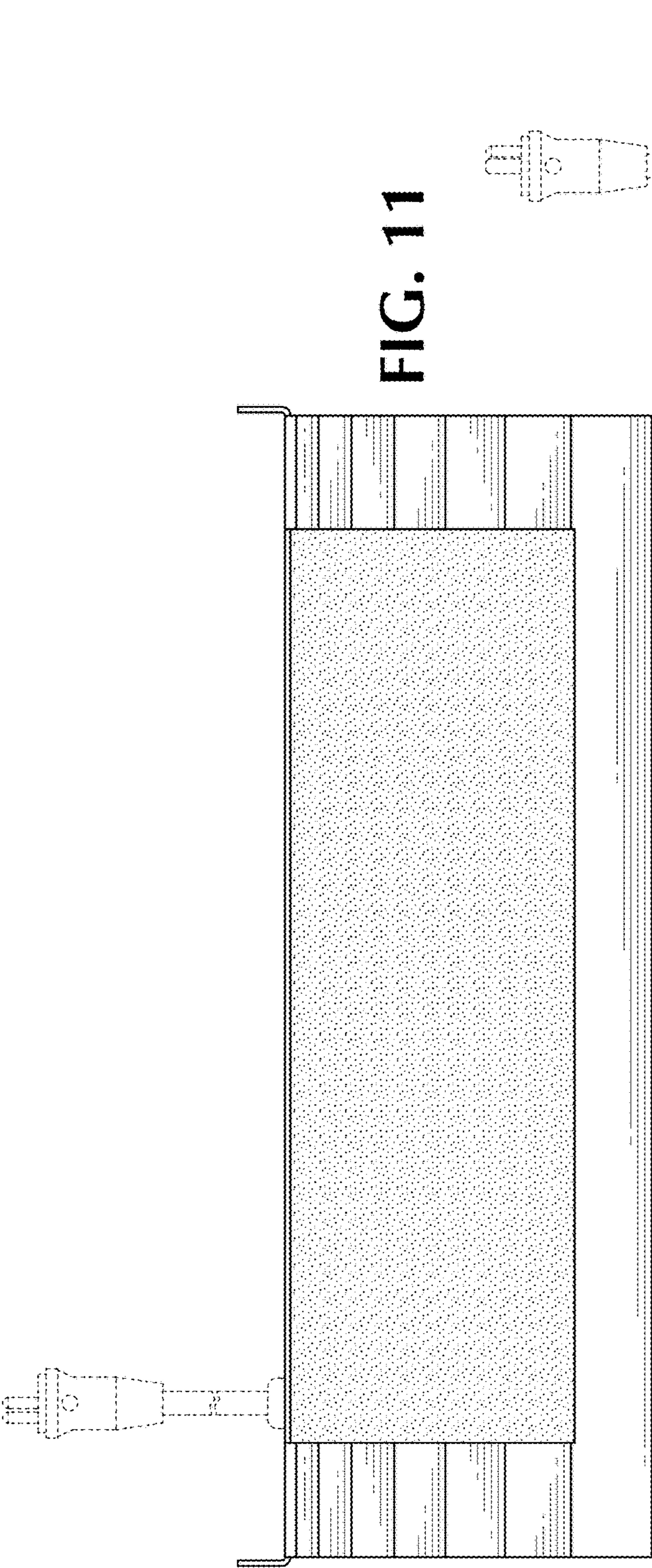


FIG. 11

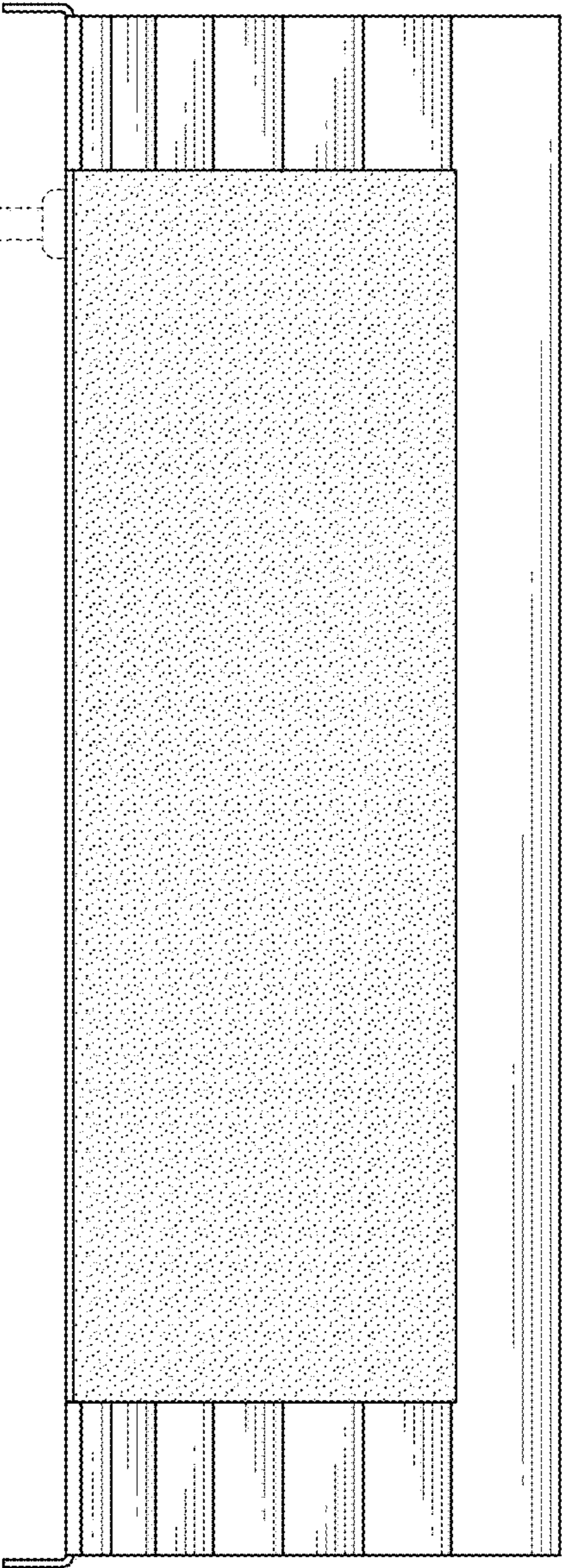


FIG. 12

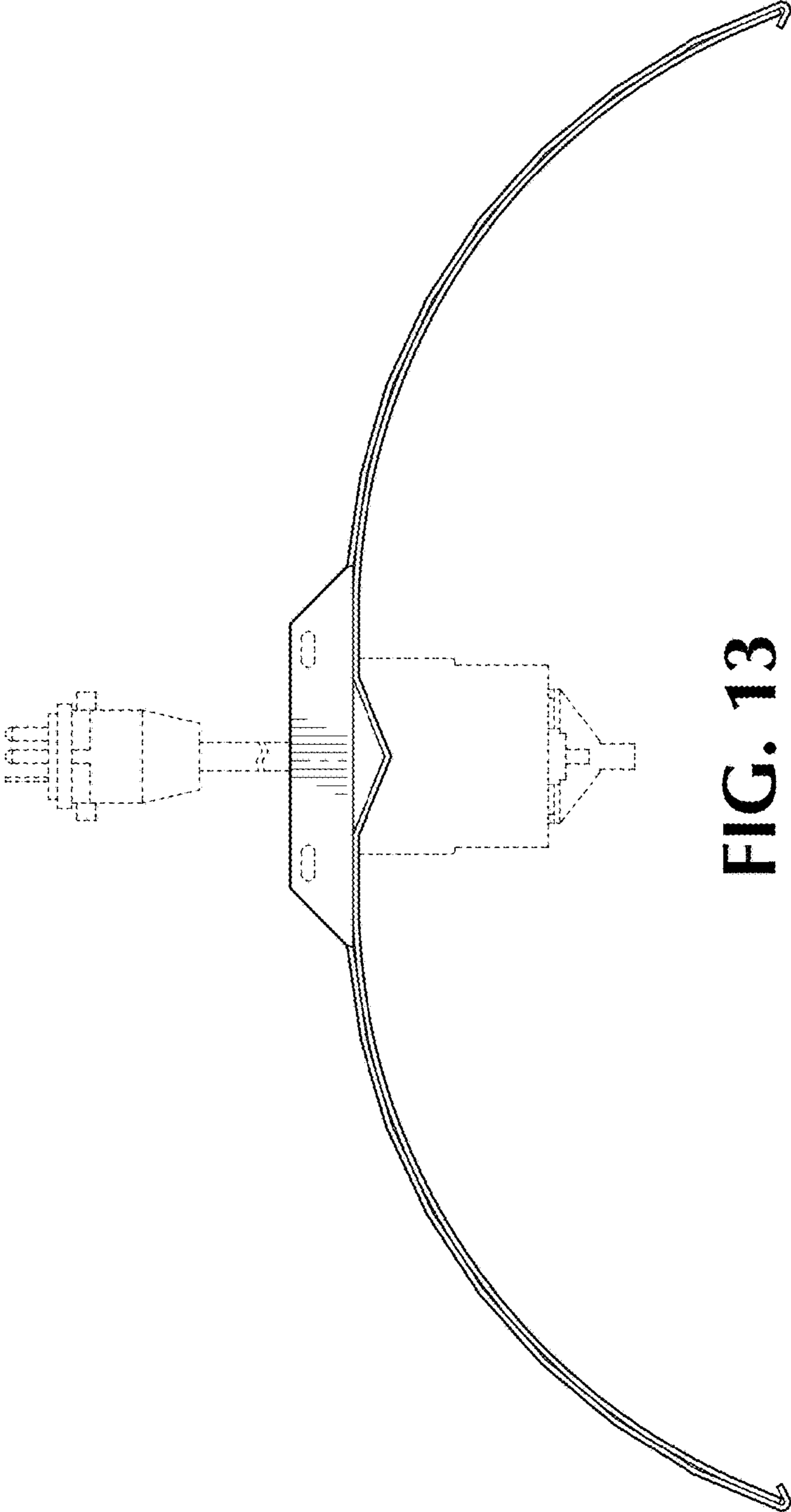
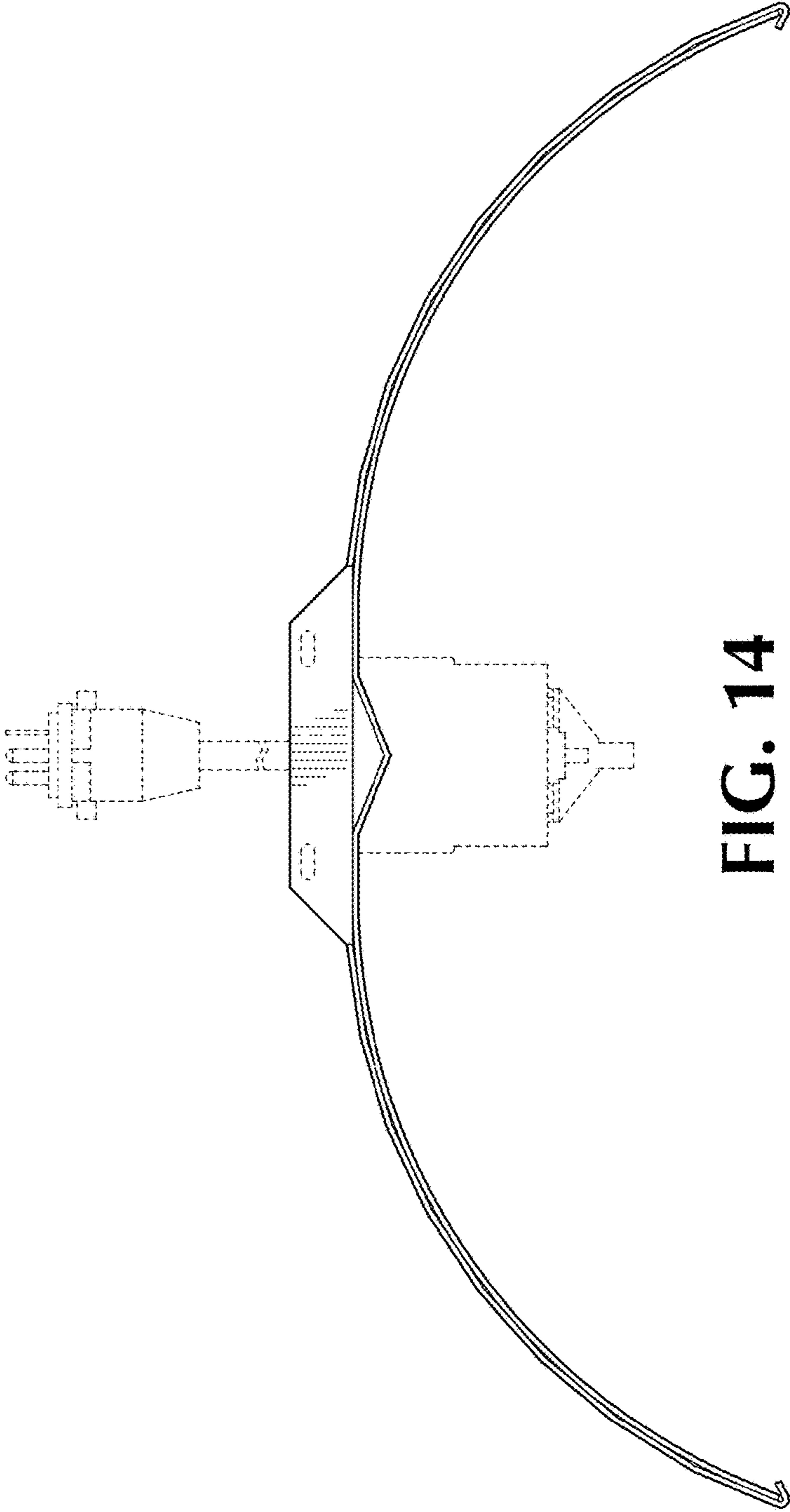


FIG. 13



**FIG. 14**

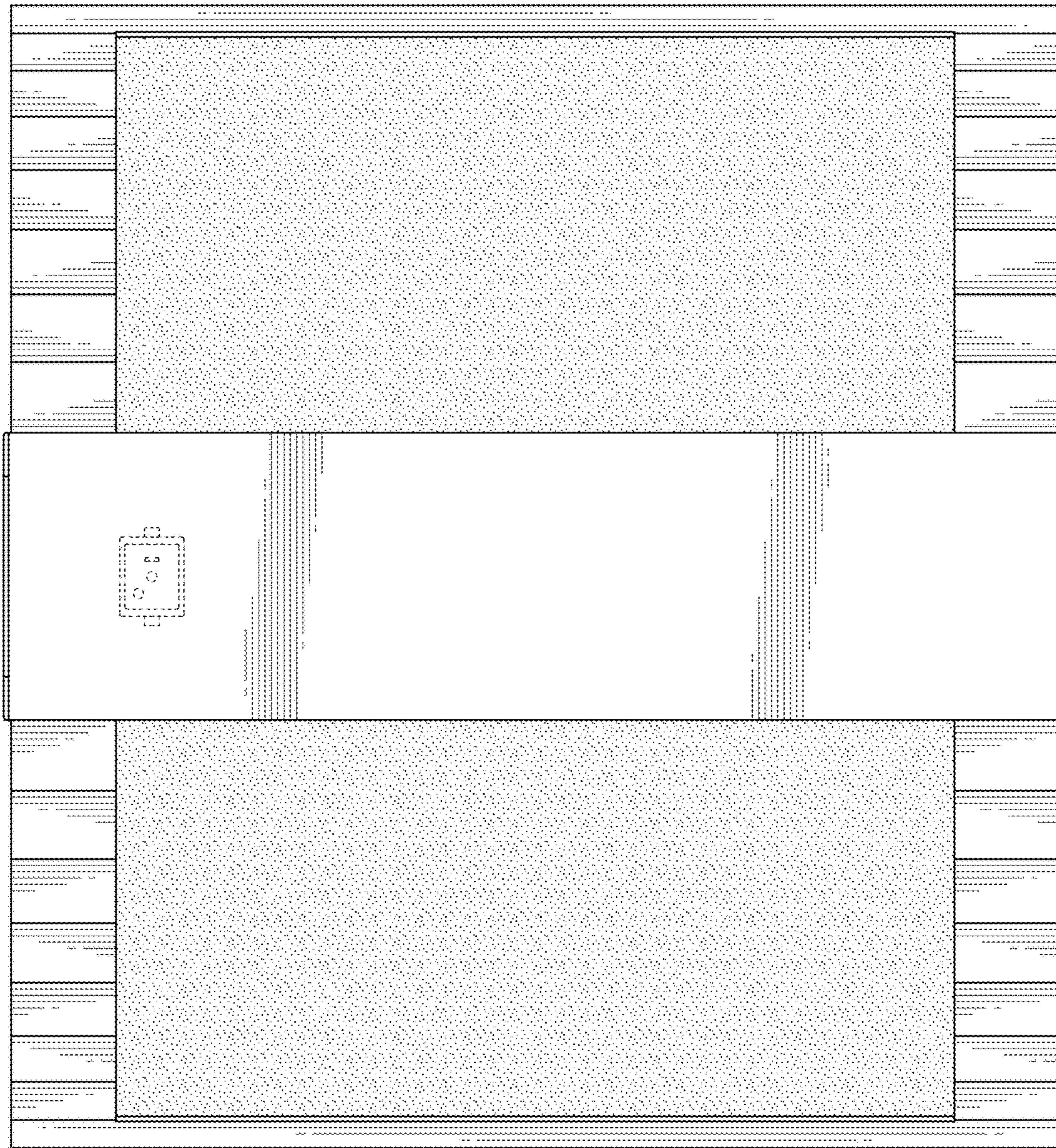


FIG. 15

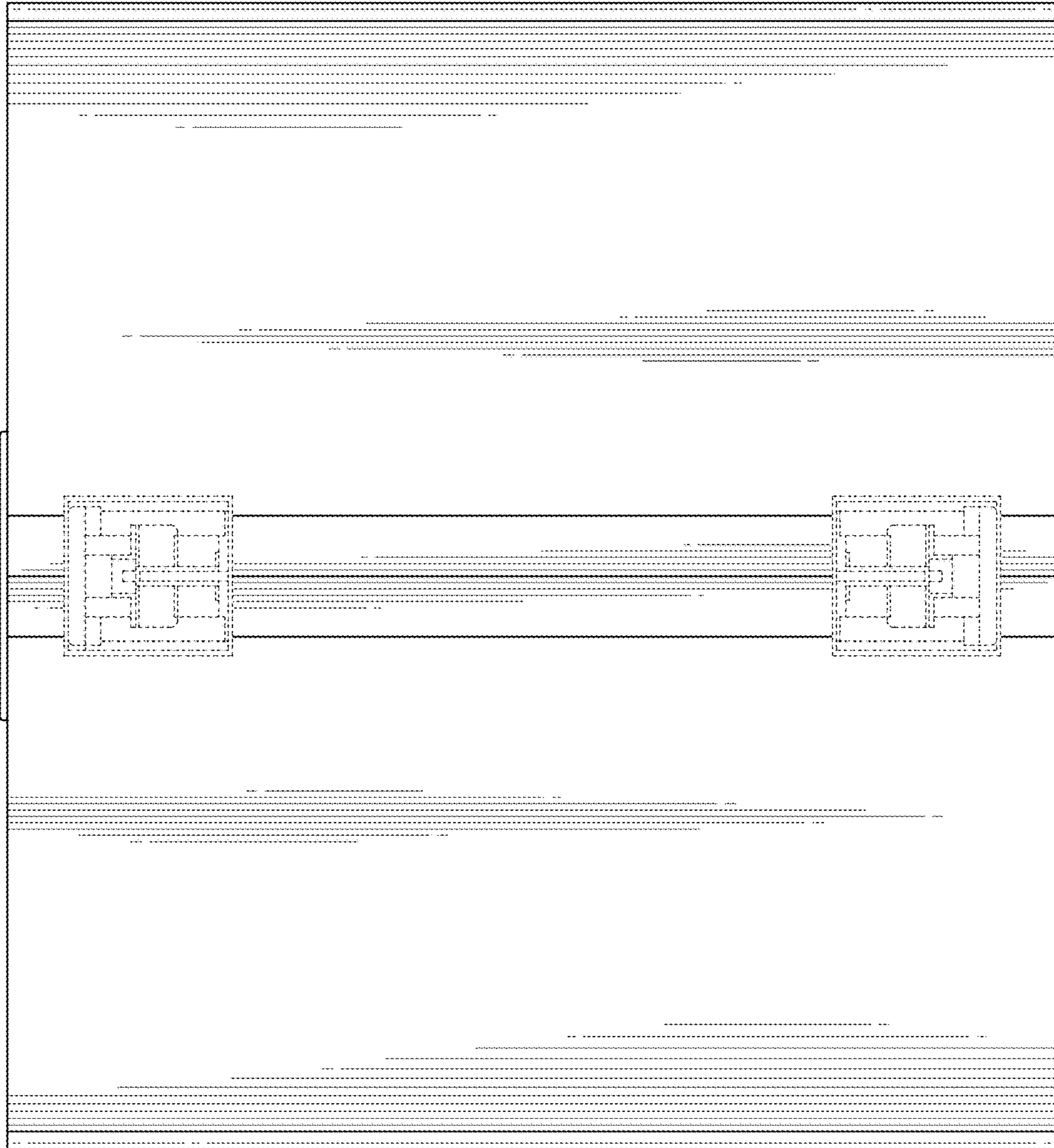


FIG. 16



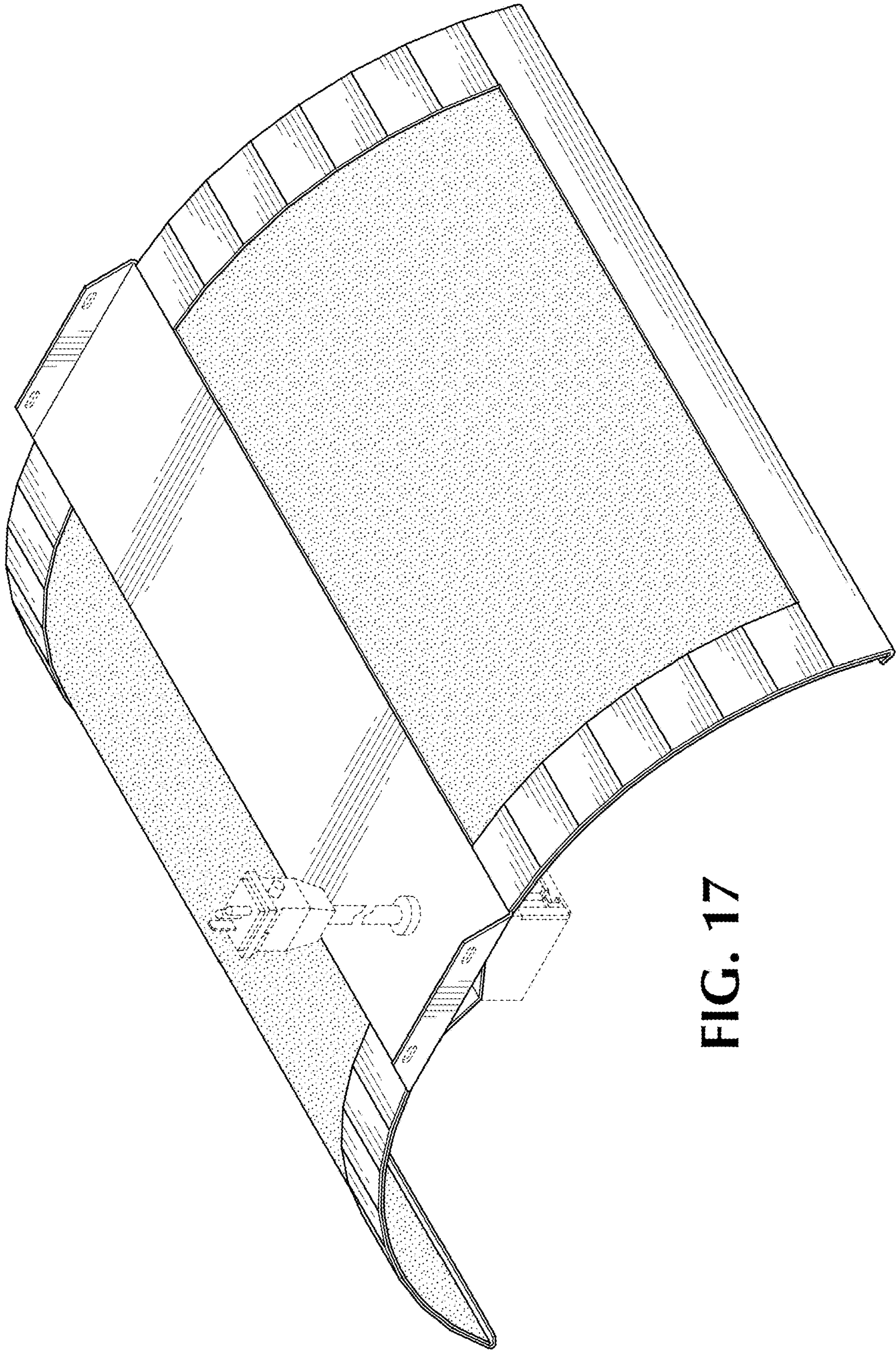


FIG. 17

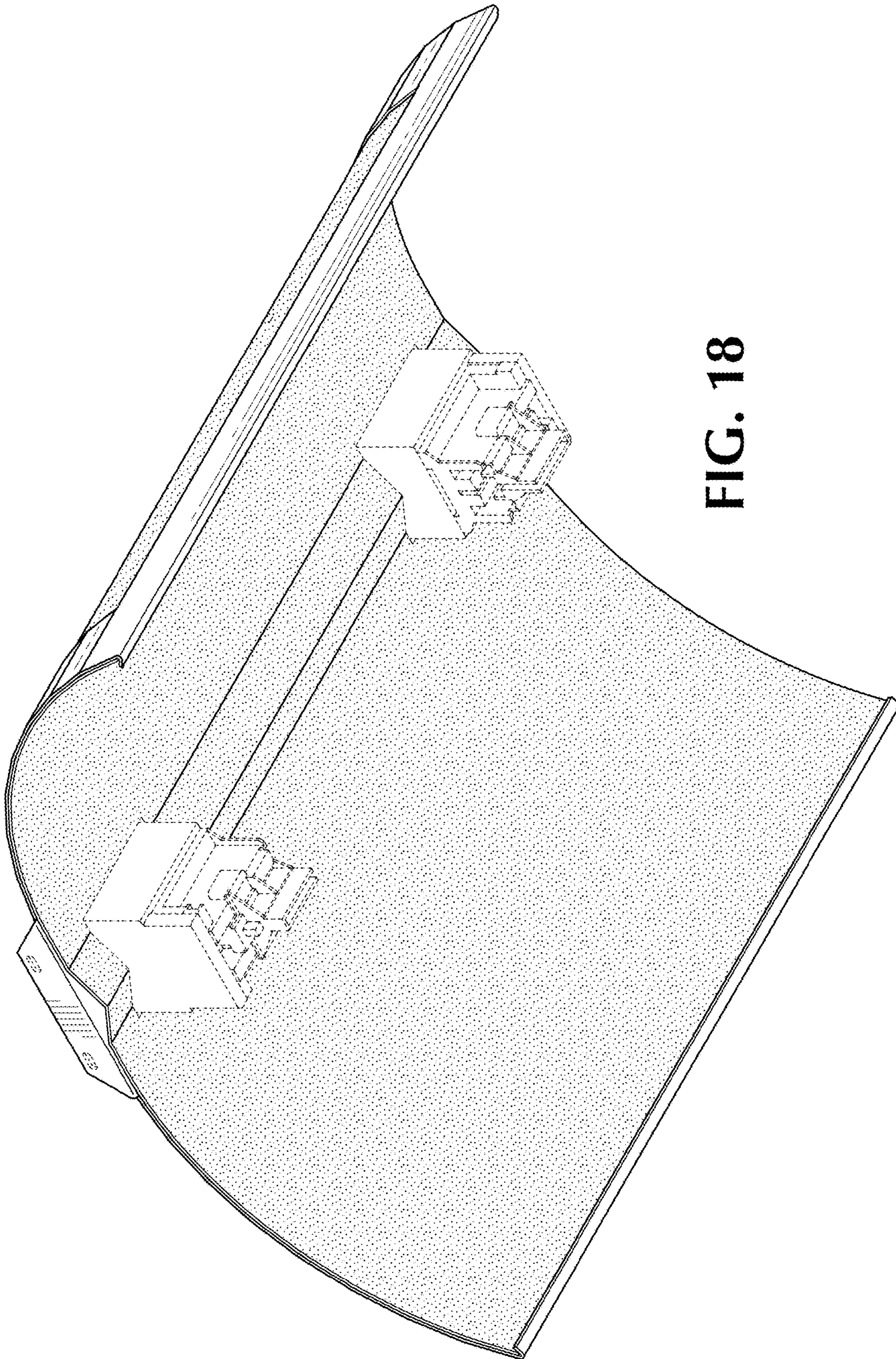


FIG. 18

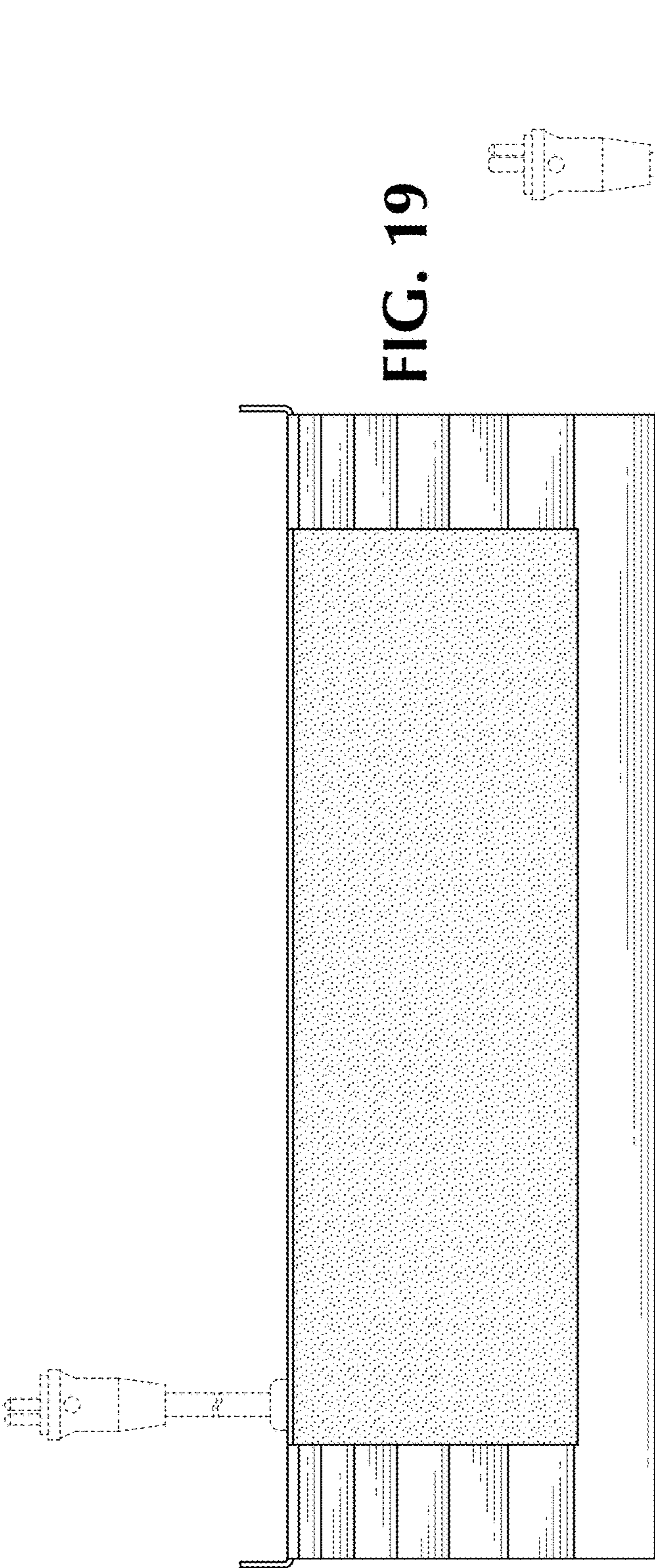


FIG. 19

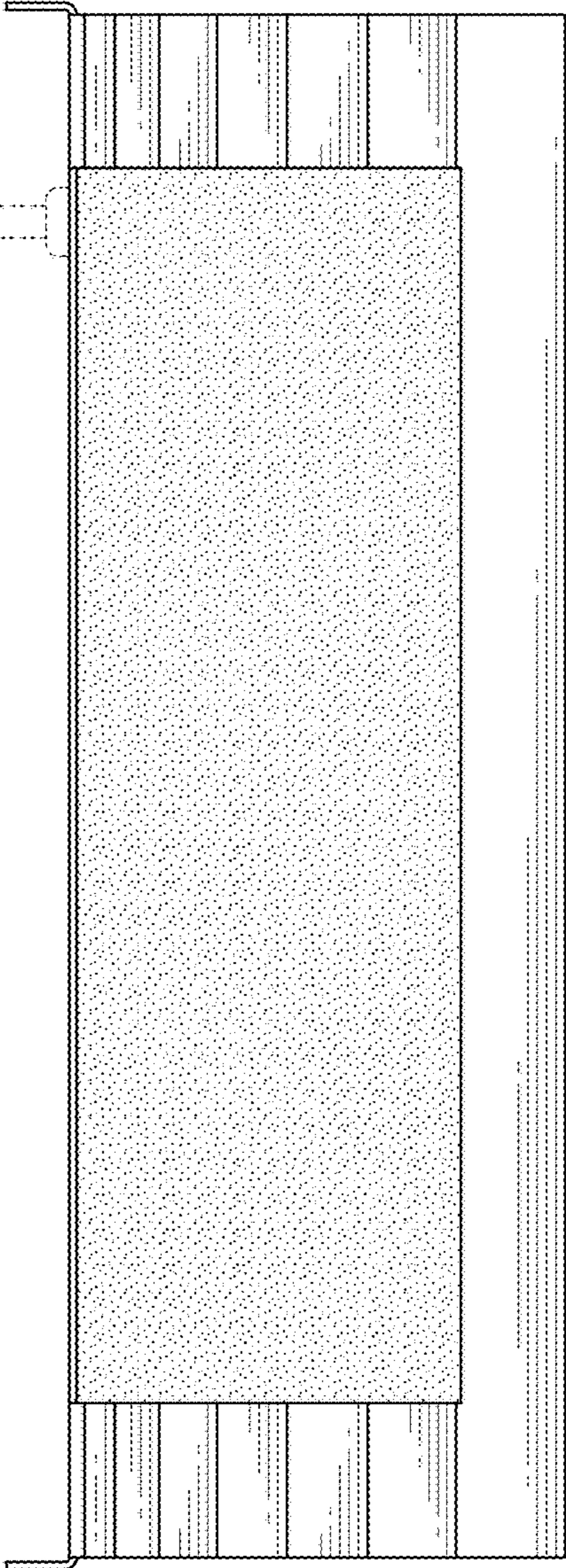


FIG. 20

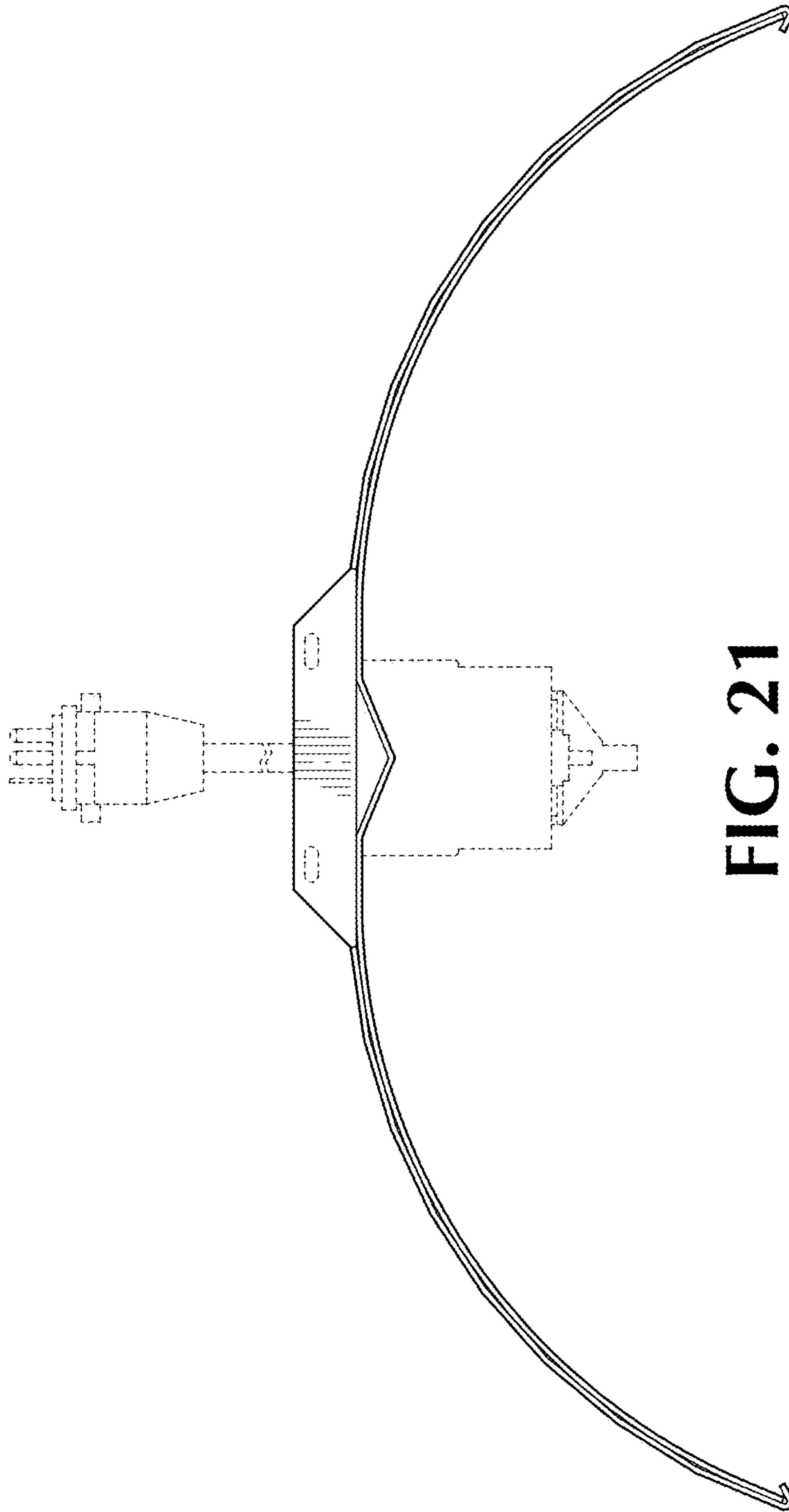


FIG. 21

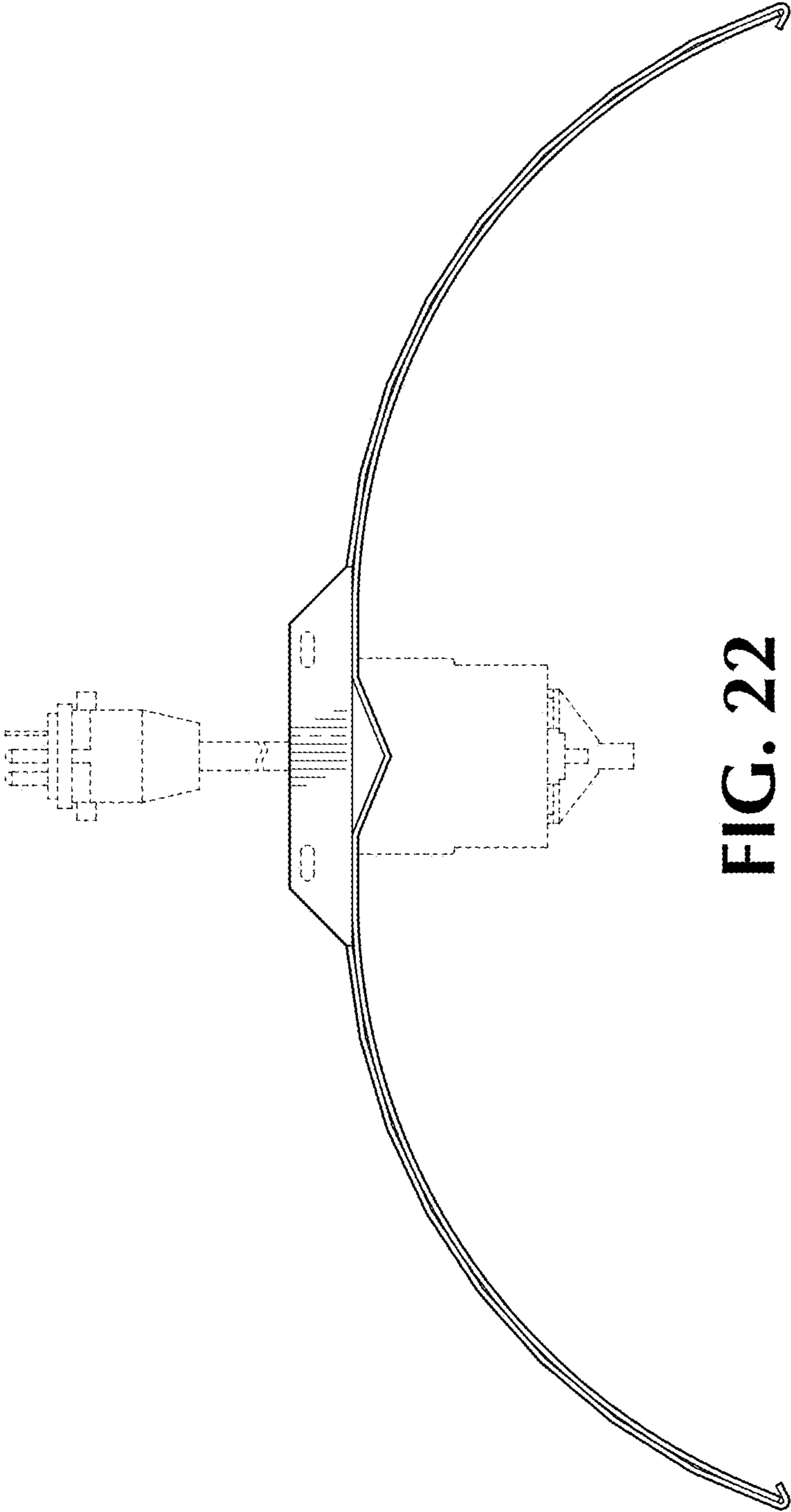


FIG. 22

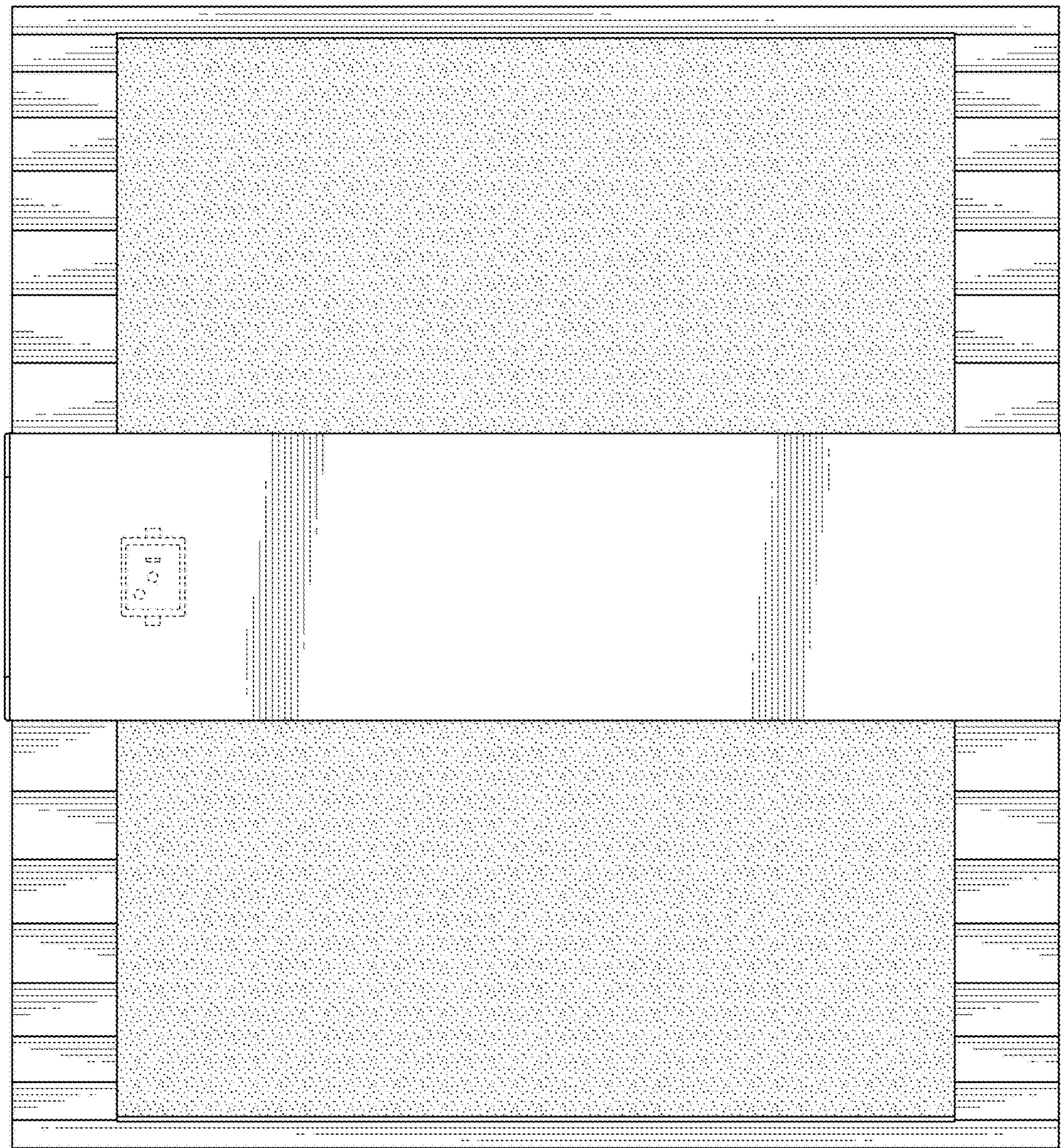


FIG. 23

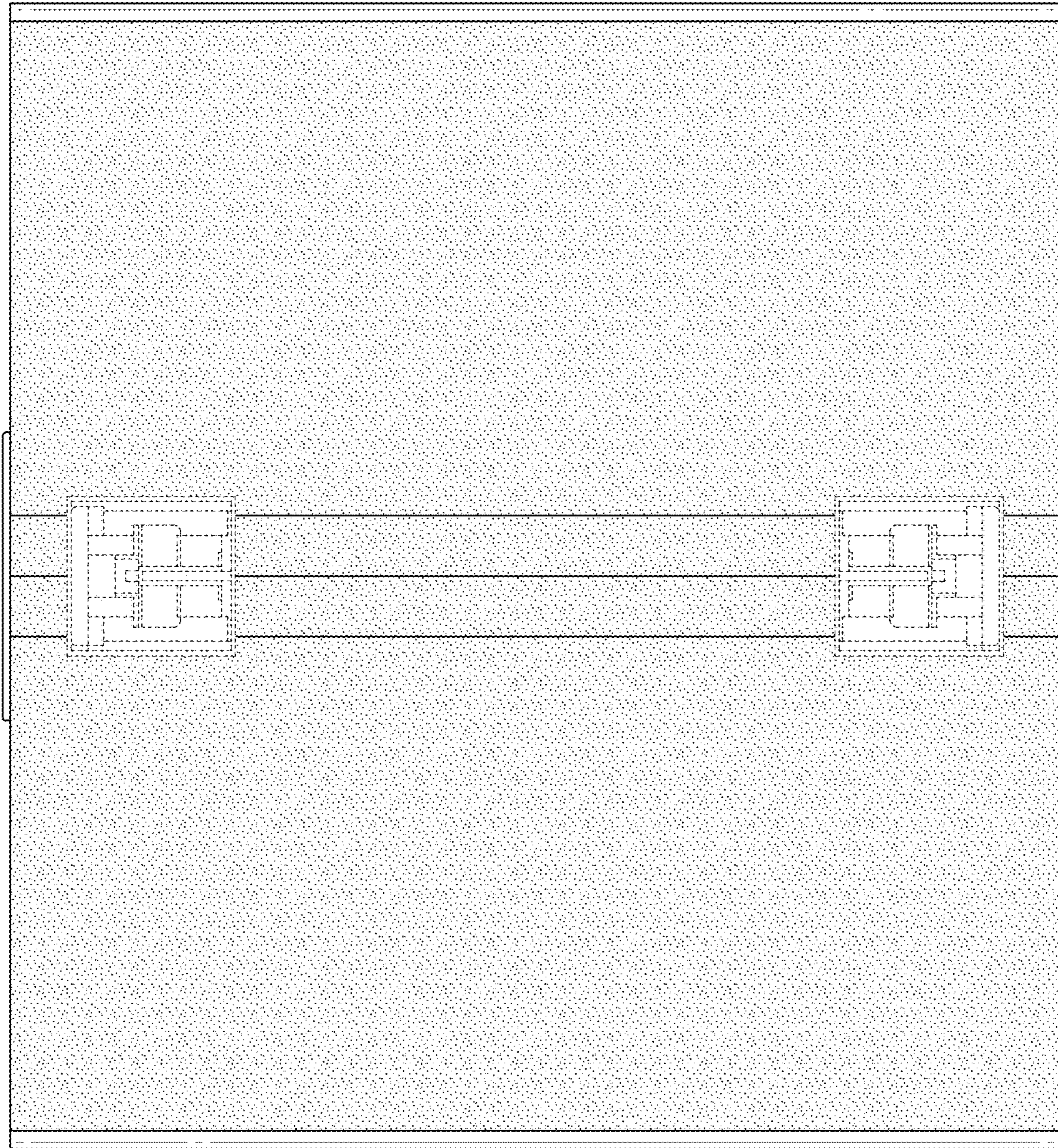


FIG. 24