



US00D848659S

(12) **United States Design Patent**
Mou

(10) **Patent No.:** **US D848,659 S**

(45) **Date of Patent:** **** May 14, 2019**

(54) **LIGHT-EMITTING DIODE PENDANT LAMP**

(71) Applicant: **NINGBO ROYALUX LIGHTING CO., LTD.**, Ningbo, Zhejiang (CN)

(72) Inventor: **Jinhong Mou**, Zhejiang (CN)

(73) Assignee: **NINGBO ROYALUX LIGHTING CO., LTD.**, Ningbo, Zhejiang (CN)

(**) Term: **15 Years**

(21) Appl. No.: **29/598,072**

(22) Filed: **Mar. 22, 2017**

(51) **LOC (11) Cl.** **26-05**

(52) **U.S. Cl.**
USPC **D26/89**

(58) **Field of Classification Search**
USPC D26/28, 35, 72, 74, 79–81, 83, 85, 86,
D26/88, 89, 91, 118–122
CPC F21S 8/02; F21S 8/03; F21S 8/04; F21S
8/026; F21S 8/033; F21S 8/043; F21V
21/02; F21V 21/03
See application file for complete search history.

(56) **References Cited**

U.S. PATENT DOCUMENTS

D213,464 S * 3/1969 Meyer D26/89
D473,966 S * 4/2003 Lecluze D26/74
D532,142 S * 11/2006 Matsui D26/80
D622,434 S * 8/2010 Ward F21S 8/026
D26/74
D663,880 S * 7/2012 Janssen D26/74
D671,668 S * 11/2012 Rowlette, Jr. D26/74

9,110,216 B2 * 8/2015 Blessitt G02B 6/0091
D770,076 S * 10/2016 Li D26/89
D779,104 S * 2/2017 Krueckeberg D26/88
D785,848 S * 5/2017 Couture D26/89
D785,852 S * 5/2017 Rashidi Doust D26/138
D808,565 S * 1/2018 Ambrozus D26/74
D834,236 S * 11/2018 Amato D26/89

* cited by examiner

Primary Examiner — Kevin K Rudzinski

Assistant Examiner — Richard Kearney

(74) *Attorney, Agent, or Firm* — Yue (Robert) Xu; Apex Attorneys at Law, LLP

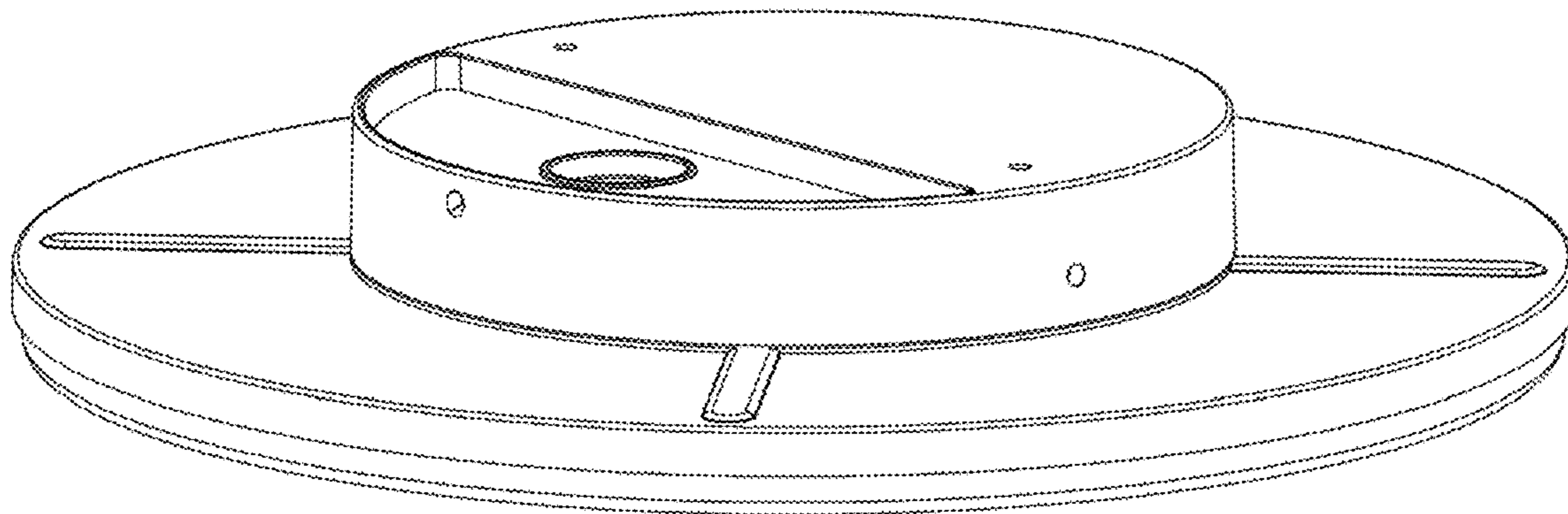
(57) **CLAIM**

The ornamental design for a light-emitting diode pendant lamp, as shown and described.

DESCRIPTION

FIG. 1 is a front view of a light-emitting diode pendant lamp according to the present application;
FIG. 2 is a rear view of the light-emitting diode pendant lamp according to the present application;
FIG. 3 is a left view of the light-emitting diode pendant lamp according to the present application;
FIG. 4 is a right view of the light-emitting diode pendant lamp according to the present application;
FIG. 5 is a top view of the light-emitting diode pendant lamp according to the present application;
FIG. 6 is a bottom view of the light-emitting diode pendant lamp according to the present application; and,
FIG. 7 is a perspective view of the light-emitting diode pendant lamp according to the present application.

1 Claim, 7 Drawing Sheets



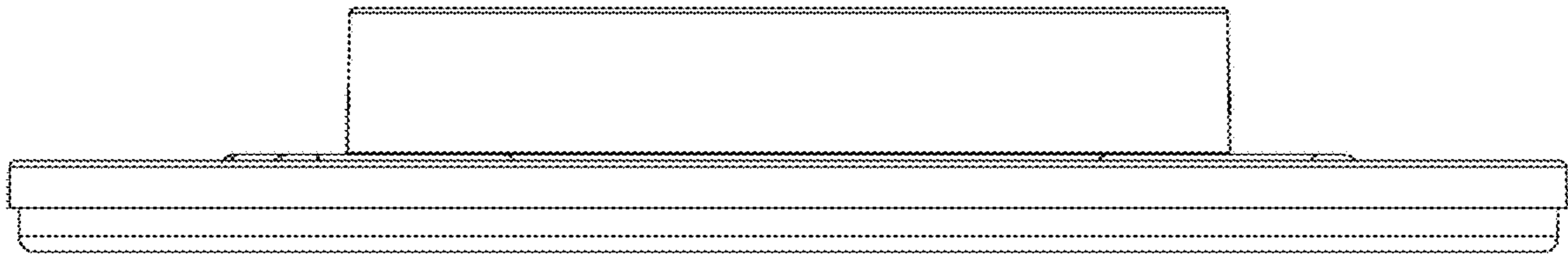


Figure 1

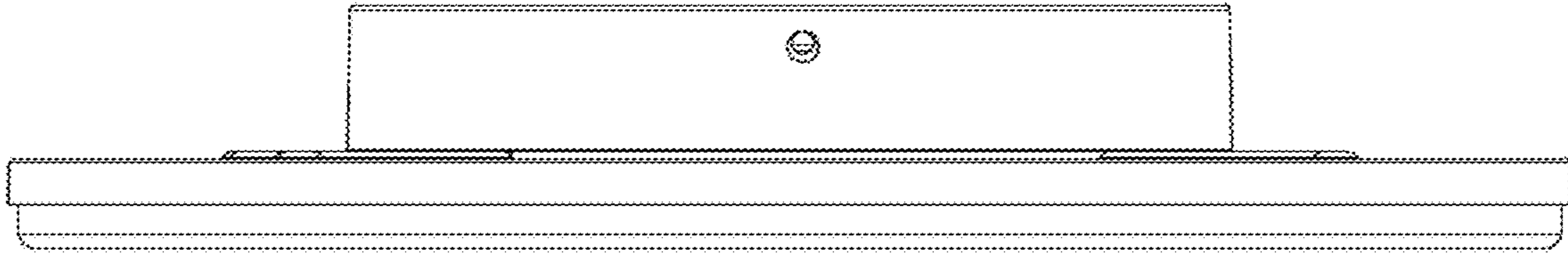


Figure 2

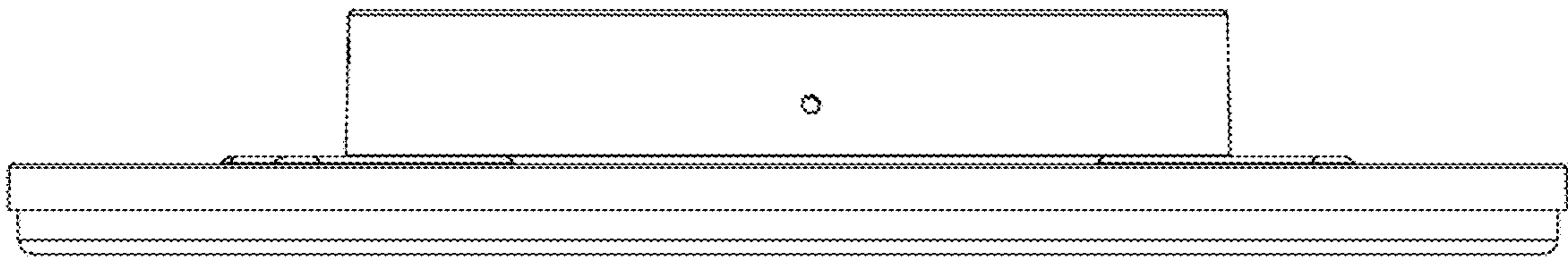


Figure 3

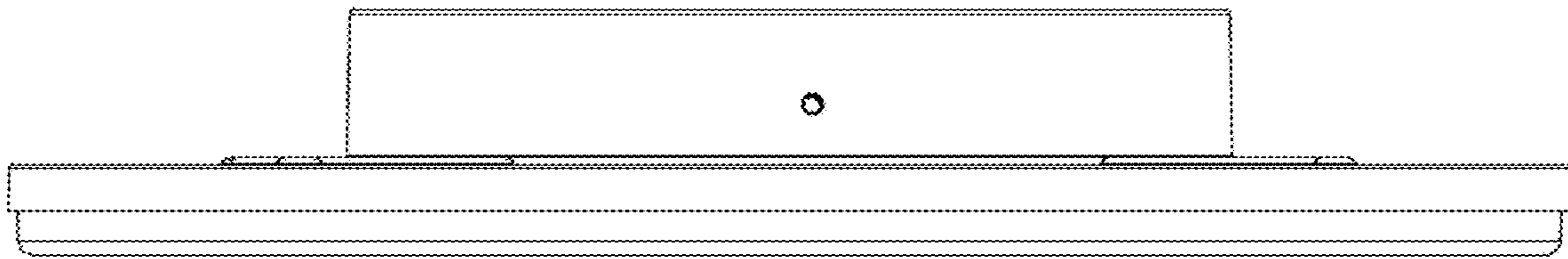


Figure 4

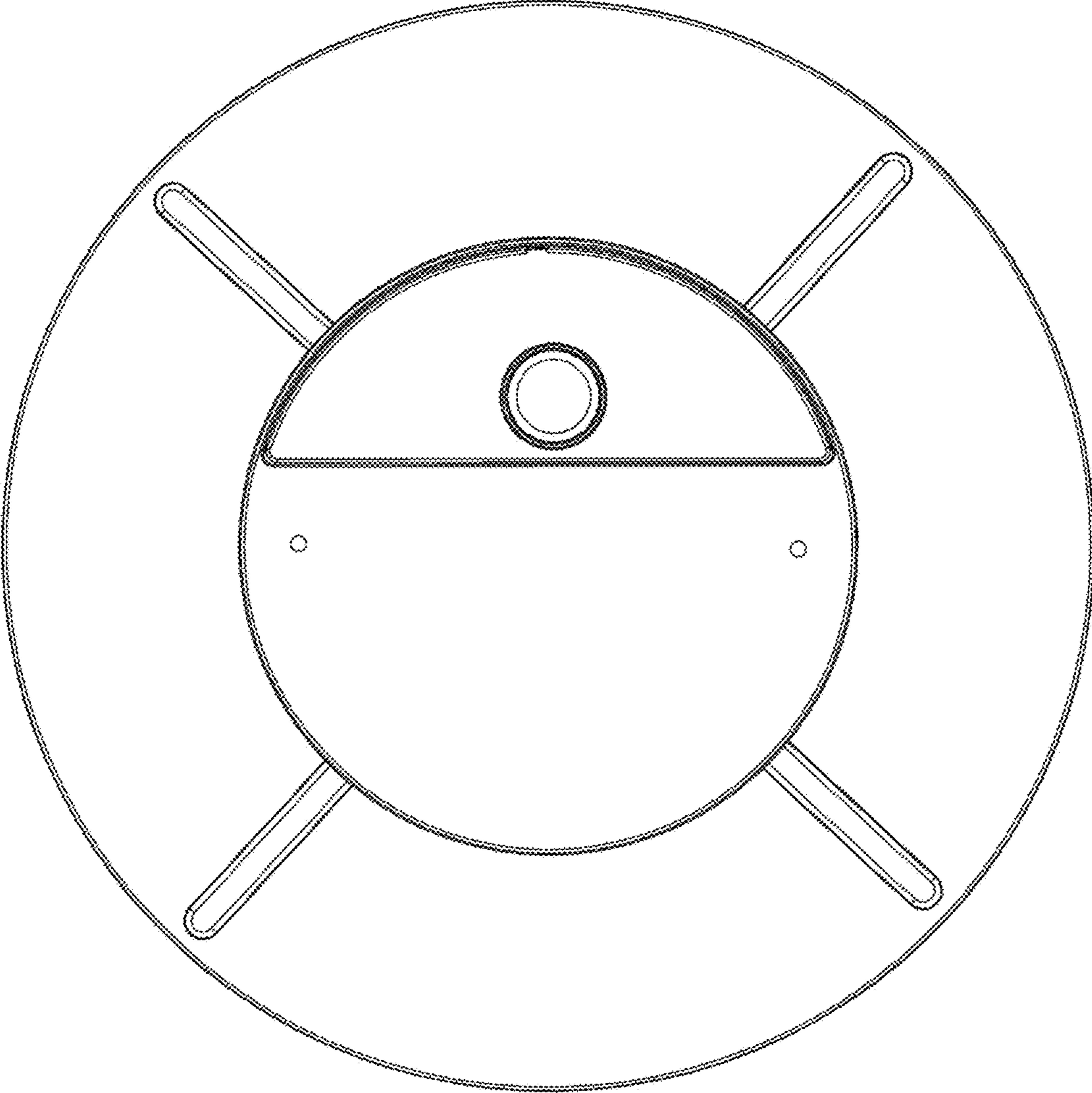


Figure 5

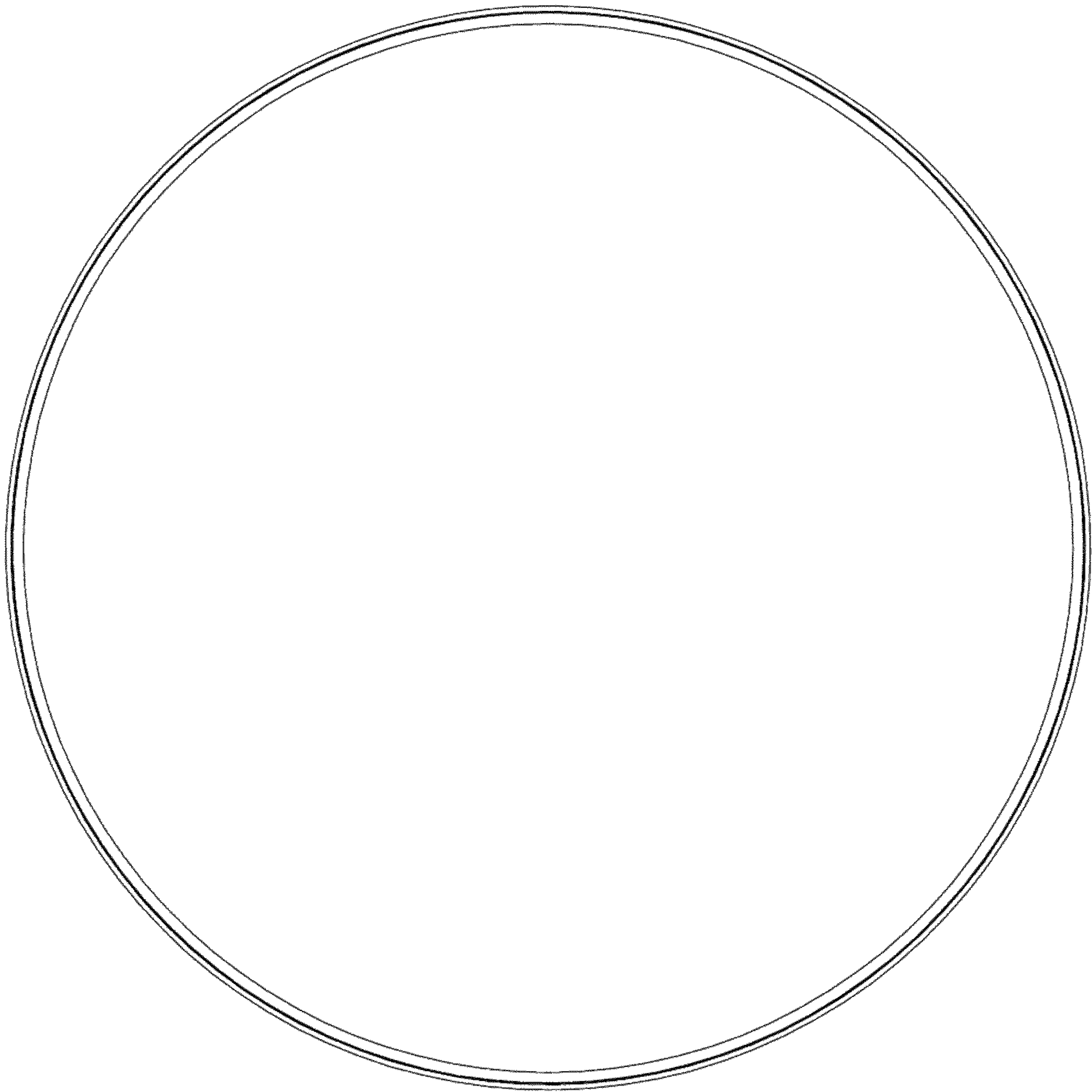


Figure 6

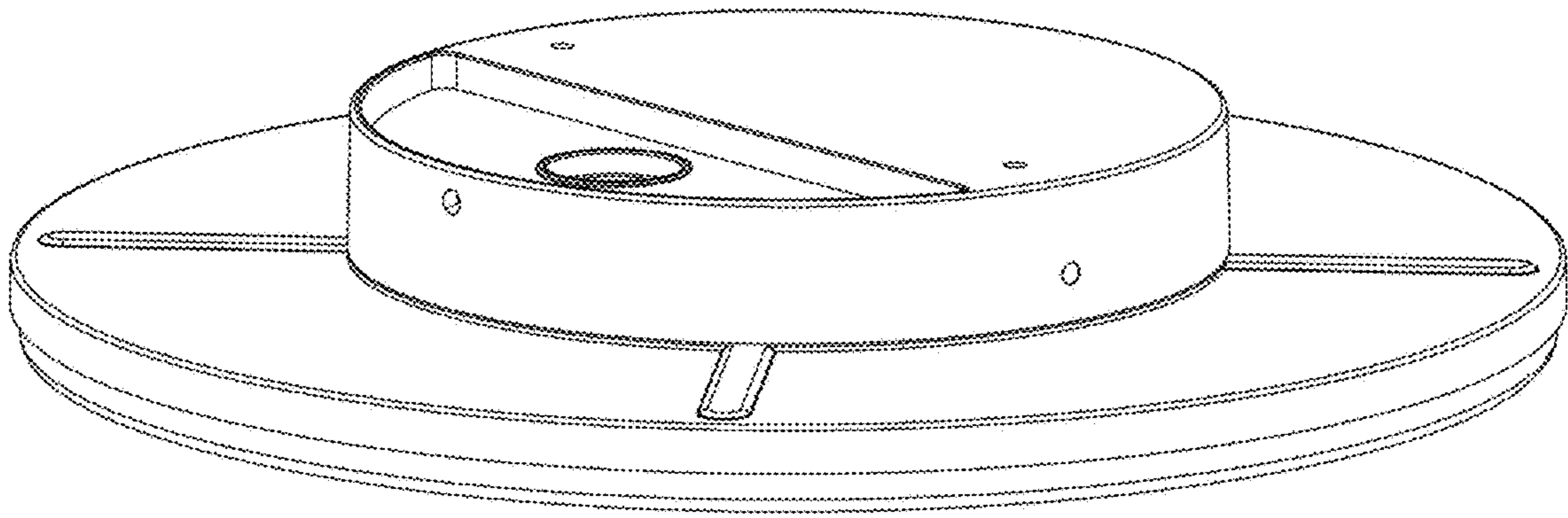


Figure 7