



US00D848657S

(12) **United States Design Patent**
Farzan

(10) **Patent No.:** **US D848,657 S**

(45) **Date of Patent:** **** May 14, 2019**

(54) **RECESSED LIGHTING FIXTURE WITH INDEPENDENT ADJUSTMENT BETWEEN A LIGHT ASSEMBLY AND A DRIVER ASSEMBLY**

(71) Applicant: **NORA LIGHTING, INC.**, Commerce, CA (US)

(72) Inventor: **Fred Farzan**, Beverly Hills, CA (US)

(73) Assignee: **Nora Lighting, Inc.**, Commerce, CA (US)

(**) Term: **15 Years**

(21) Appl. No.: **29/591,403**

(22) Filed: **Jan. 19, 2017**

(51) **LOC (11) Cl.** **26-05**

(52) **U.S. Cl.**
USPC **D26/74**

(58) **Field of Classification Search**
USPC D26/74, 72, 75, 76, 77, 78, 85, 88, 89, D26/118, 138, 141; 362/364, 365, 373, 362/145, 146, 147, 148, 150, 153, 153.1, 362/294, 296.01, 296.07, 296.08
See application file for complete search history.

(56) **References Cited**

U.S. PATENT DOCUMENTS

5,662,414	A *	9/1997	Jennings	F21V 15/01 362/365
D550,868	S	9/2007	Egawa et al.		
D571,944	S *	6/2008	Pickard	D26/74
7,478,931	B2	1/2009	Miletich		
D596,330	S *	7/2009	Pickard	D26/74
D611,644	S	3/2010	Tsai		
D613,444	S *	4/2010	Rashidi	D26/74
D617,934	S *	6/2010	Rashidi	D26/74
D624,688	S *	9/2010	Johnson	D26/74
D641,909	S *	7/2011	Johnson	D26/74

D642,317	S *	7/2011	Rashidi	D26/74
9,671,091	B2	6/2017	Jones		
D791,382	S *	7/2017	Holscher	D26/74
9,726,354	B1	8/2017	Delano et al.		
2007/0268708	A1 *	11/2007	O'Brien	F21S 8/02 362/364
2009/0080189	A1 *	3/2009	Wegner	F21S 8/02 362/235

(Continued)

OTHER PUBLICATIONS

Taiwan Office Action, Appl. No. 106304088—Based on U.S. Appl. No. 29/591,403, dated Mar. 1, 2018.

(Continued)

Primary Examiner — Angela J Lee

(74) *Attorney, Agent, or Firm* — K&L Gates LLP

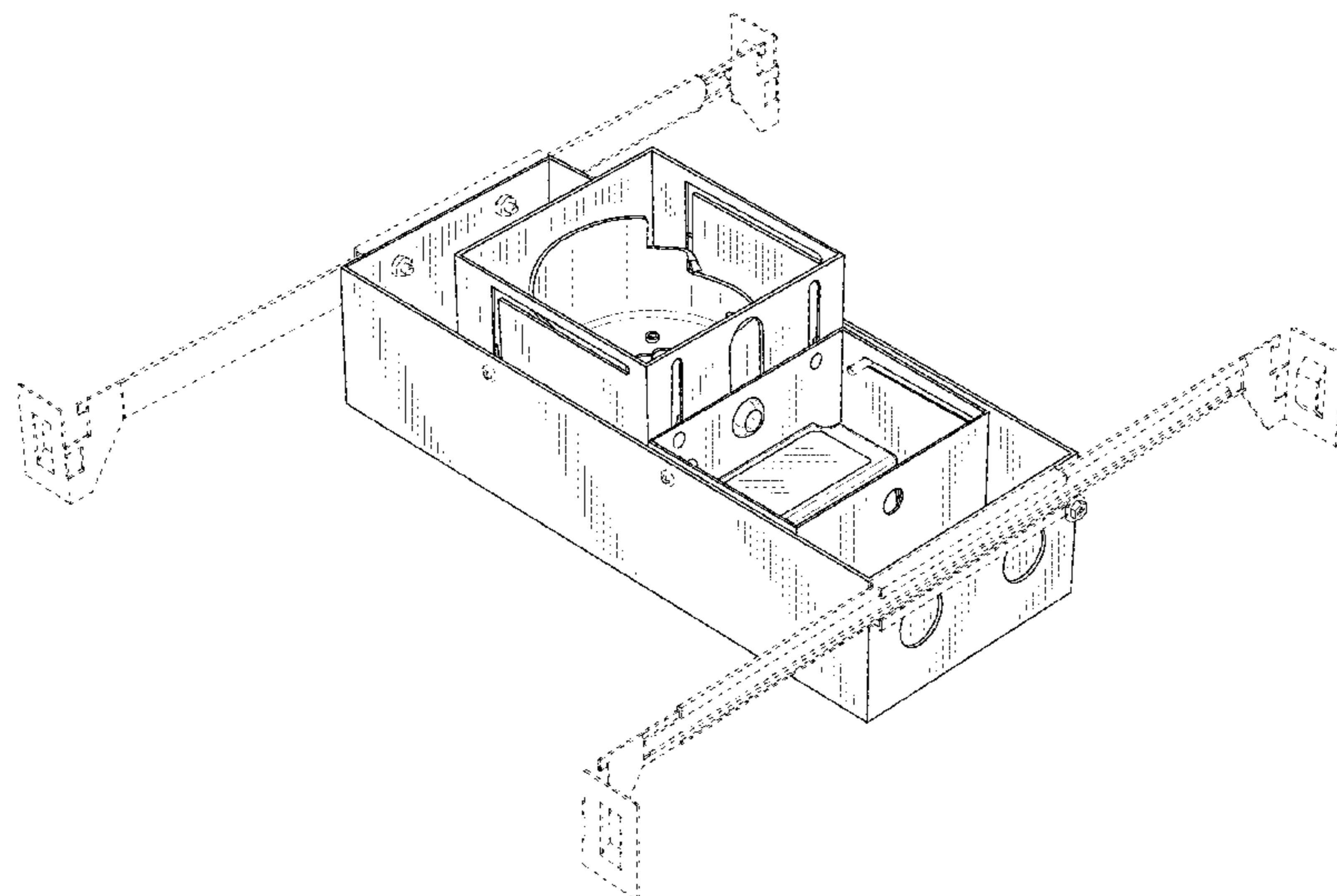
(57) **CLAIM**

The ornamental design for a recessed lighting fixture with independent adjustment between a light assembly and a driver assembly, as shown and described herein.

DESCRIPTION

FIG. 1 illustrates a view of the front side of a recessed lighting fixture.
FIG. 2 illustrates a cross-sectional view of the recessed lighting fixture.
FIG. 3 illustrates a perspective view of the recessed lighting fixture.
FIG. 4 illustrates a bottom-up view of the recessed lighting fixture; and,
FIG. 5 illustrates a perspective view of a top side of the recessed lighting fixture.
The broken lines in the drawings show portions of the recessed lighting fixture that form no part of the claimed design.

1 Claim, 5 Drawing Sheets



(56)

References Cited

U.S. PATENT DOCUMENTS

2009/0290343 A1 11/2009 Brown
2010/0149822 A1 6/2010 Cogliano
2012/0320577 A1 12/2012 Wang
2014/0233246 A1* 8/2014 Lafreniere F21S 8/026
362/364
2017/0138576 A1* 5/2017 Peng F21S 8/02
2017/0307188 A1 10/2017 Oudina et al.

OTHER PUBLICATIONS

U.S. Appl. No. 15/865,981 Non-Final Office Action dated Mar. 8, 2018.
Taiwan Office Action, Appl. No. 106304088 dated Jul. 16, 2018—2 pages.
Search Report for Taiwan Patent Appl. No. 106304088 dated Jul. 16, 2018—1 page.

* cited by examiner

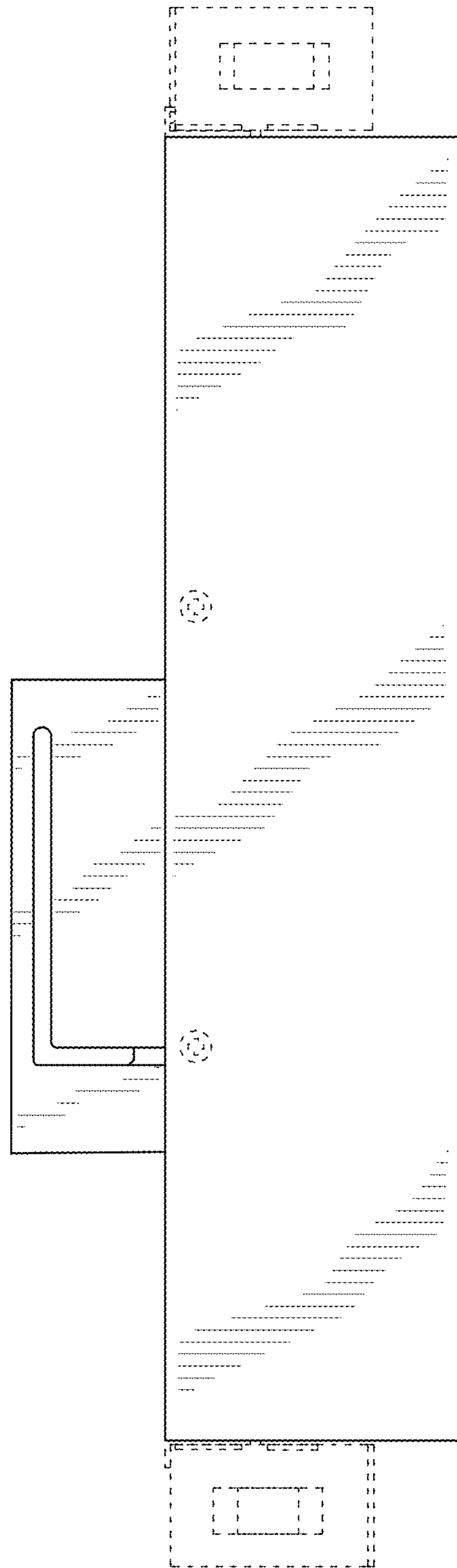


FIG. 1

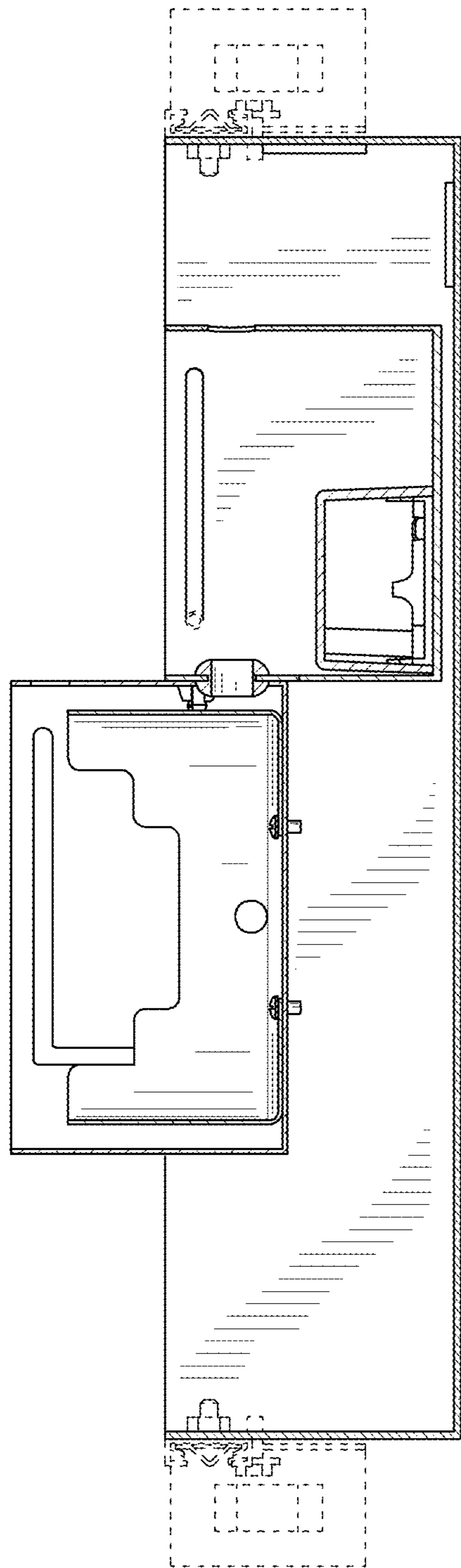


FIG. 2

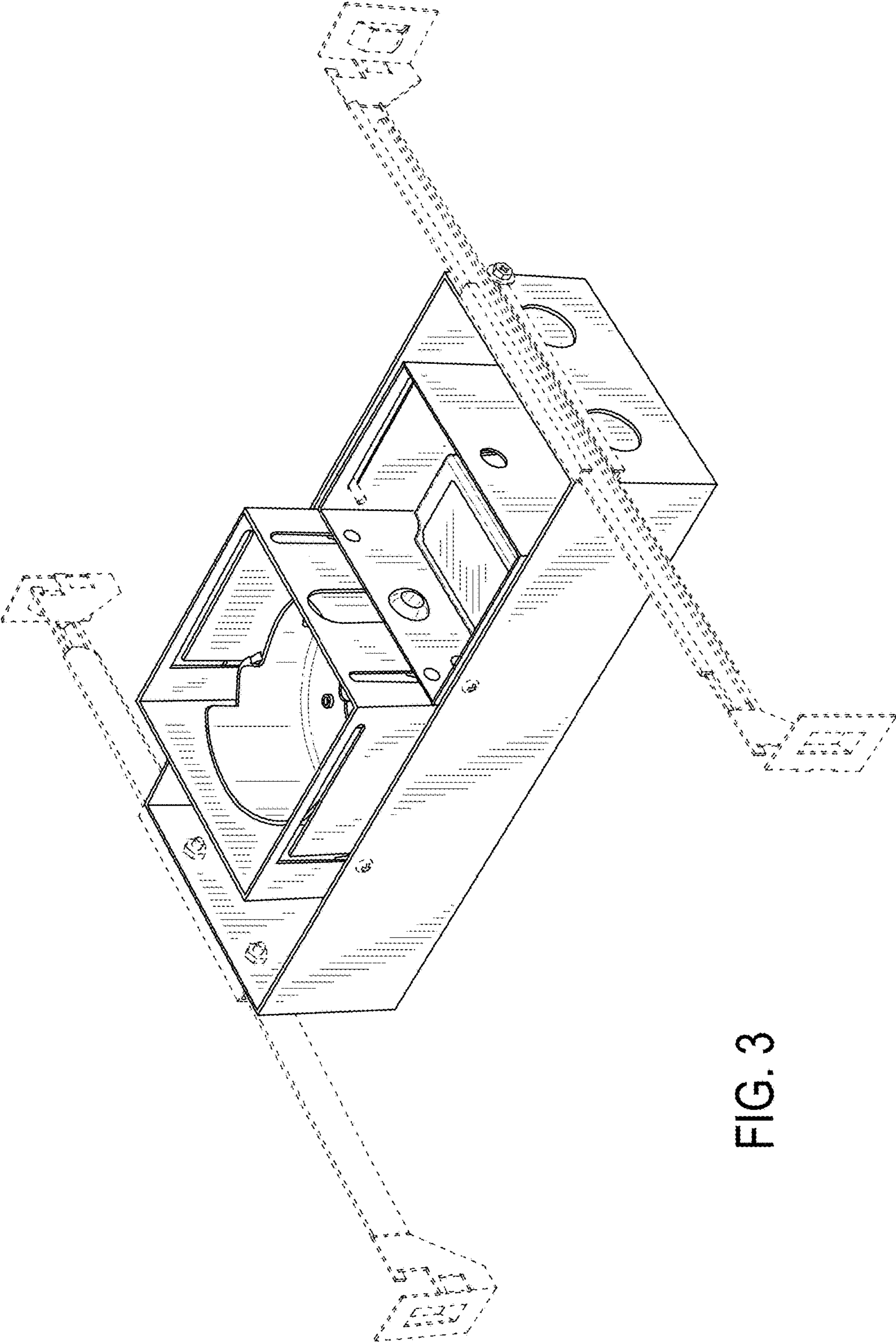


FIG. 3

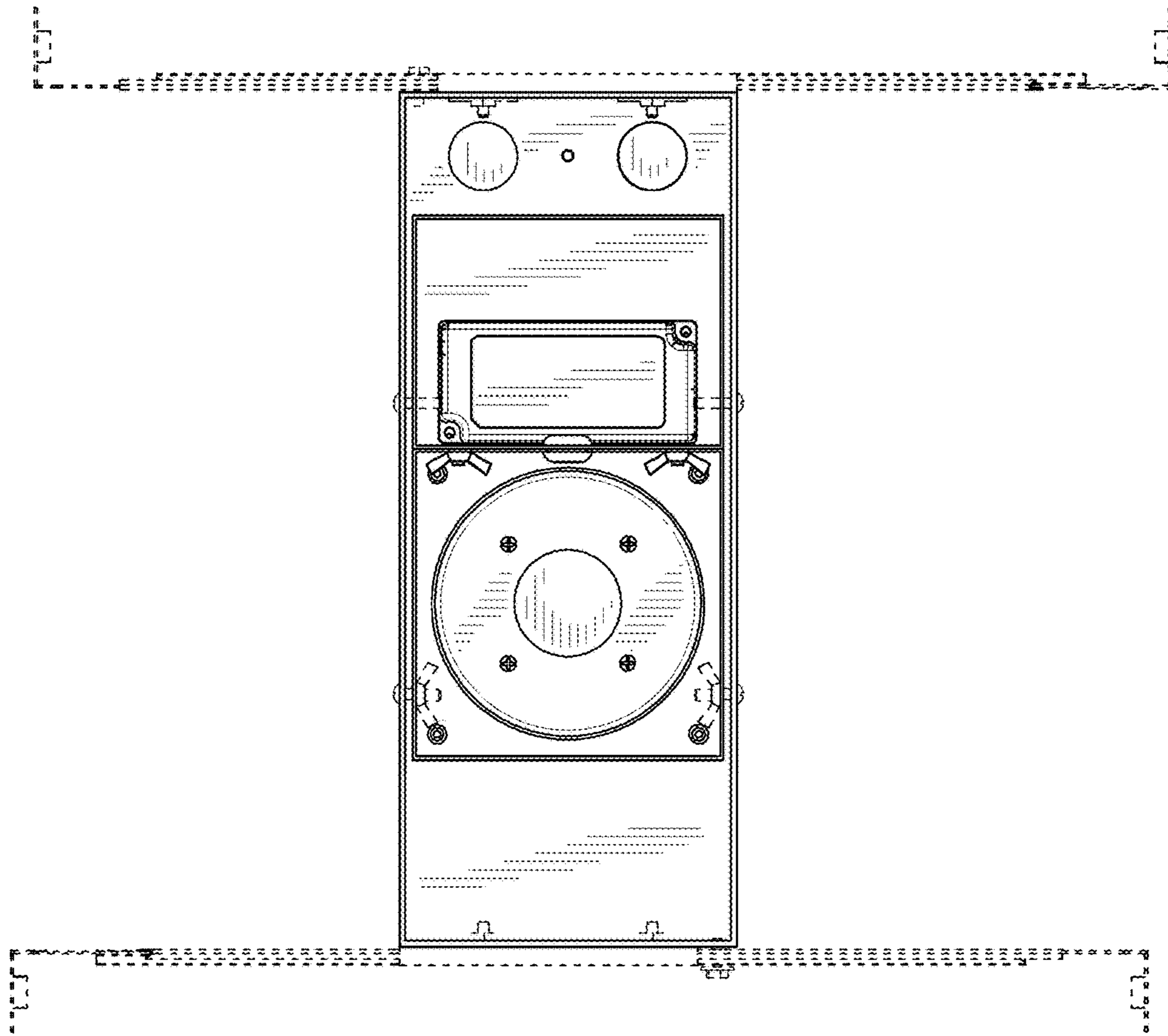


FIG. 4

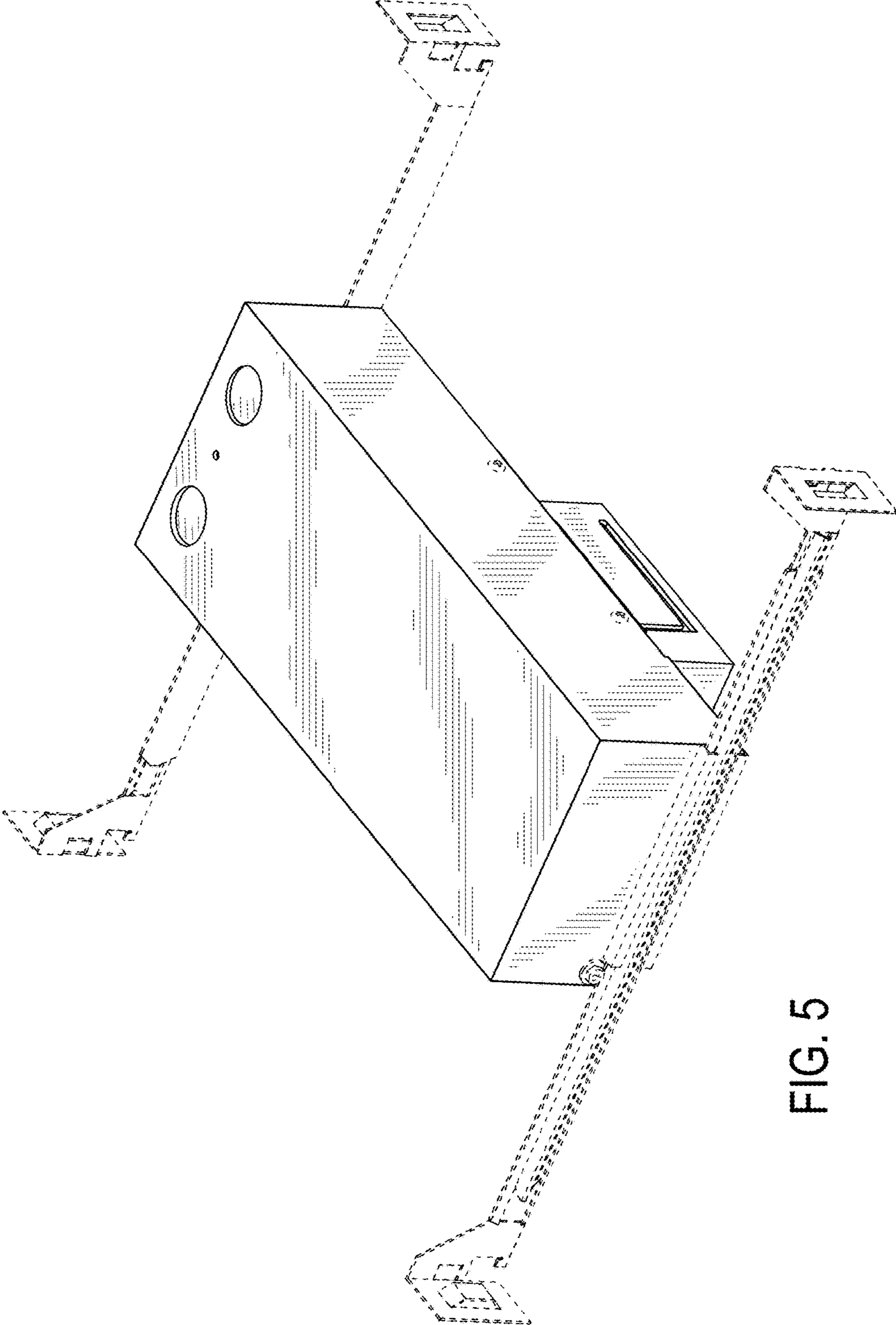


FIG. 5