



US00D848656S

(12) **United States Design Patent**
Fang

(10) **Patent No.:** **US D848,656 S**

(45) **Date of Patent:** **** May 14, 2019**

(54) **WORK LIGHT**

D743,603 S * 11/2015 Inskeep D26/63
D770,657 S 11/2016 Fang

(71) Applicant: **Ningbo Utec Electric Co. Ltd.**, Yuyao,
Zhejiang (CN)

* cited by examiner

(72) Inventor: **Yi Fang**, Zhejiang (CN)

Primary Examiner — Brian N. Vinson

(73) Assignee: **Ningbo Utec Electric Co. Ltd.**, Yuyao
(CN)

(74) *Attorney, Agent, or Firm* — Raymond Sun

(**) Term: **15 Years**

(57) **CLAIM**

(21) Appl. No.: **29/623,429**

The ornamental design for a work light, as shown and described.

(22) Filed: **Oct. 25, 2017**

(51) **LOC (11) Cl.** **26-03**

DESCRIPTION

(52) **U.S. Cl.**

USPC **D26/63**

(58) **Field of Classification Search**

USPC D26/1, 24, 61, 63, 65, 85, 92, 51, 111

CPC F21V 21/14; F21V 15/01; F21V 14/02;

F21V 21/30; F21V 21/00; F21V 14/00;

F21S 8/00; F21S 8/003; F21S 8/043;

F21Y 2105/001

See application file for complete search history.

FIG. 1 is a front perspective view of a work light showing my new design.

FIG. 2 is a top view thereof.

FIG. 3 is a bottom view thereof.

FIG. 4 is a front view thereof.

FIG. 5 is a rear view thereof.

FIG. 6 is a left view thereof; and,

FIG. 7 is a right view thereof.

The broken lines shown in the figures represent portions of the work light that form no part of the claimed design.

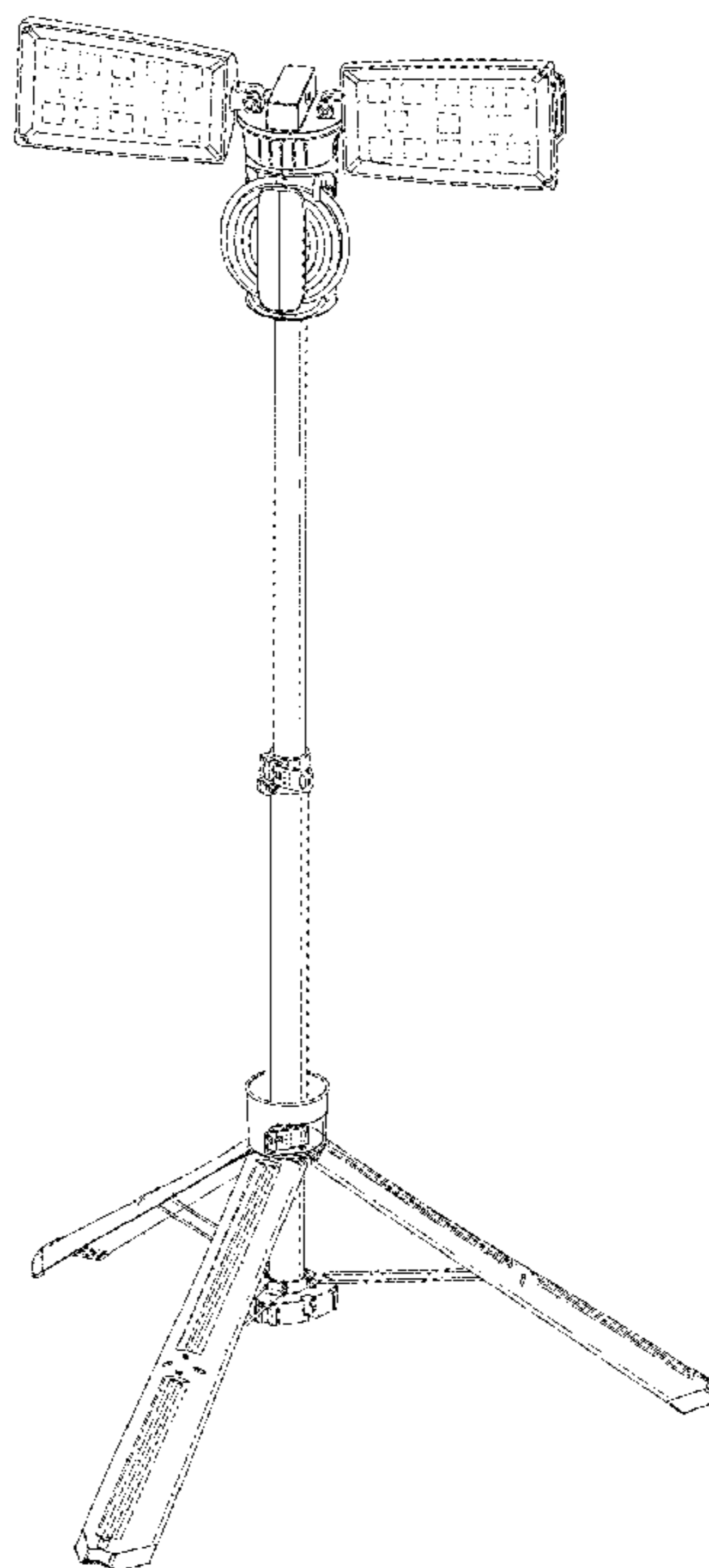
(56) **References Cited**

U.S. PATENT DOCUMENTS

D623,786 S * 9/2010 Wessel D26/51

D730,553 S * 5/2015 Naksen D26/63

1 Claim, 7 Drawing Sheets



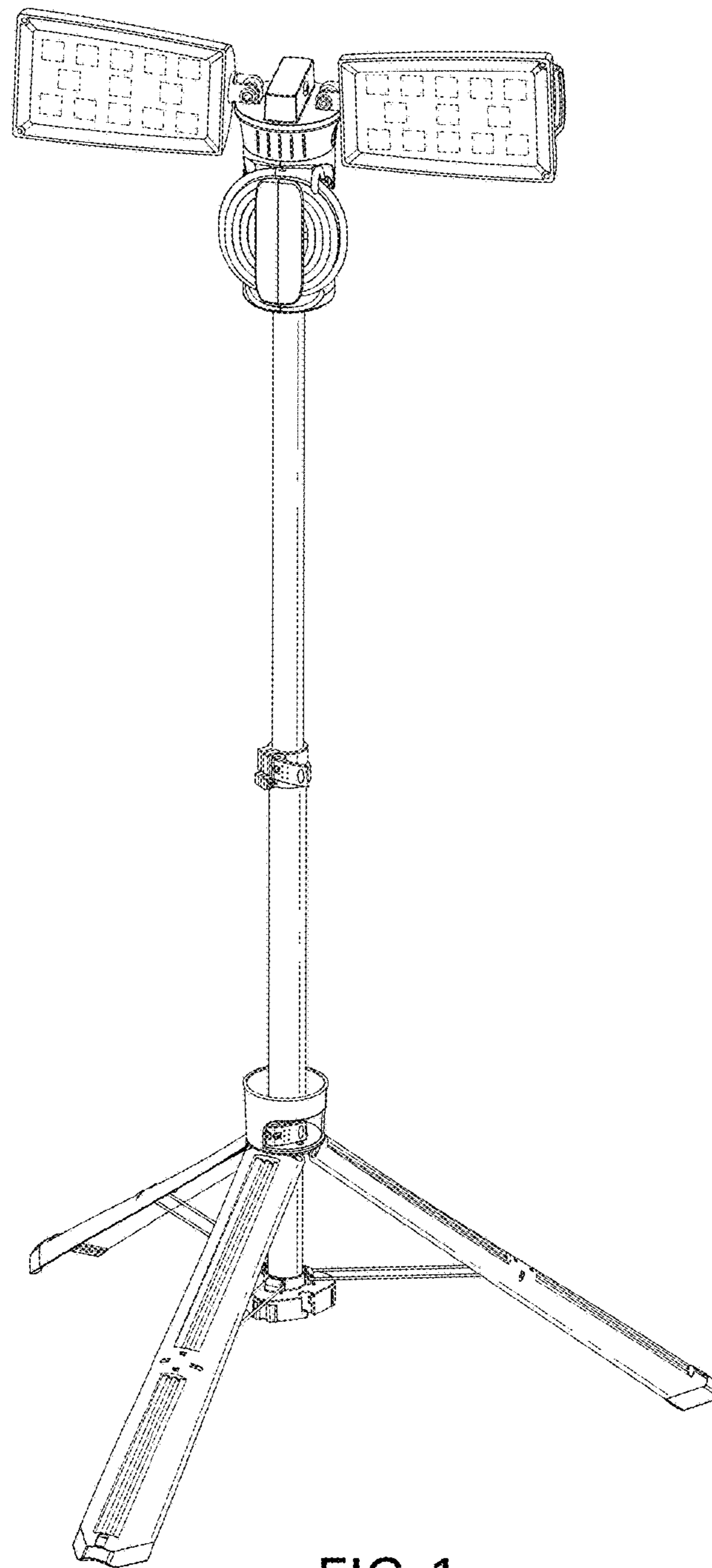


FIG. 1

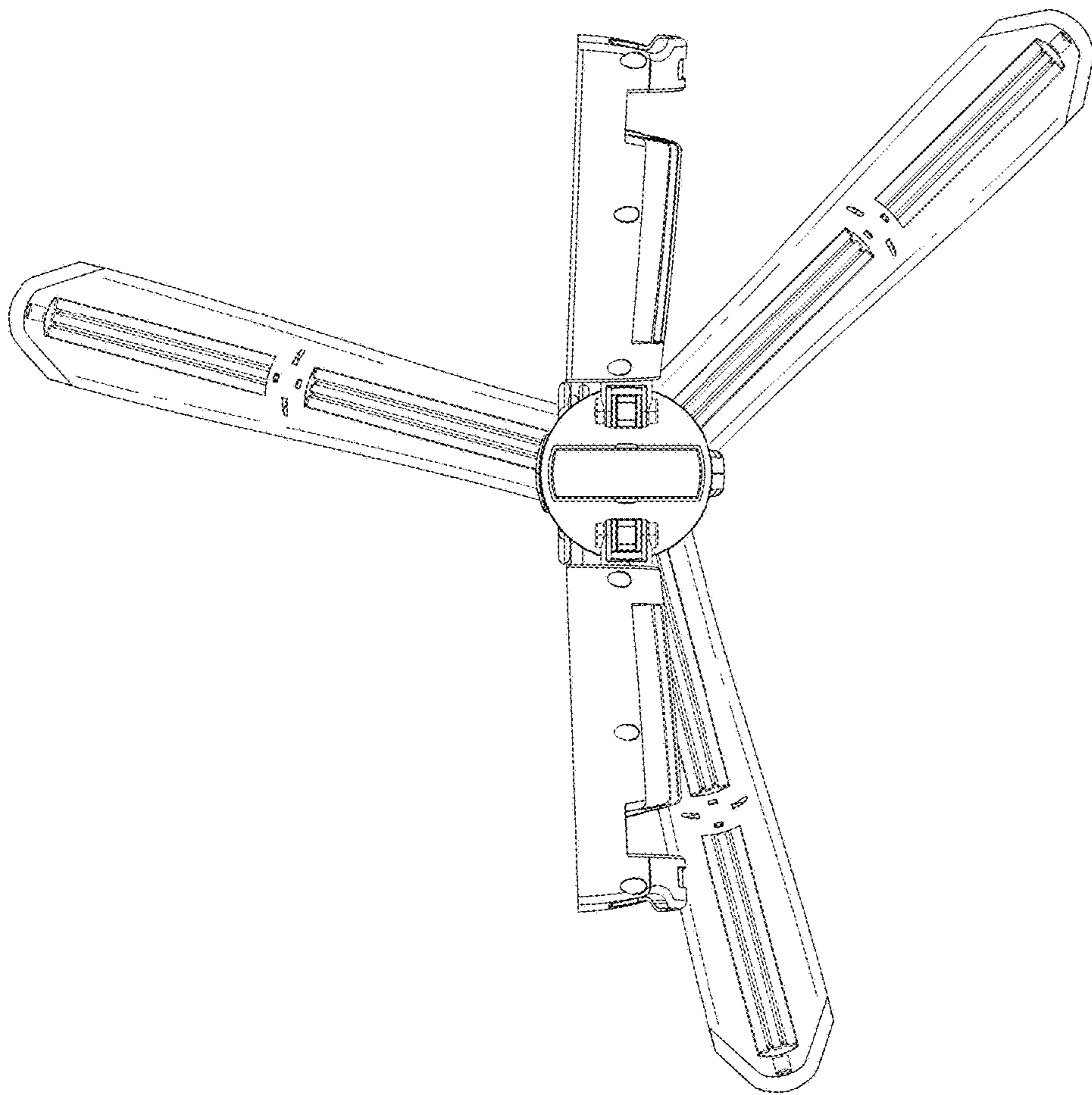


FIG.2

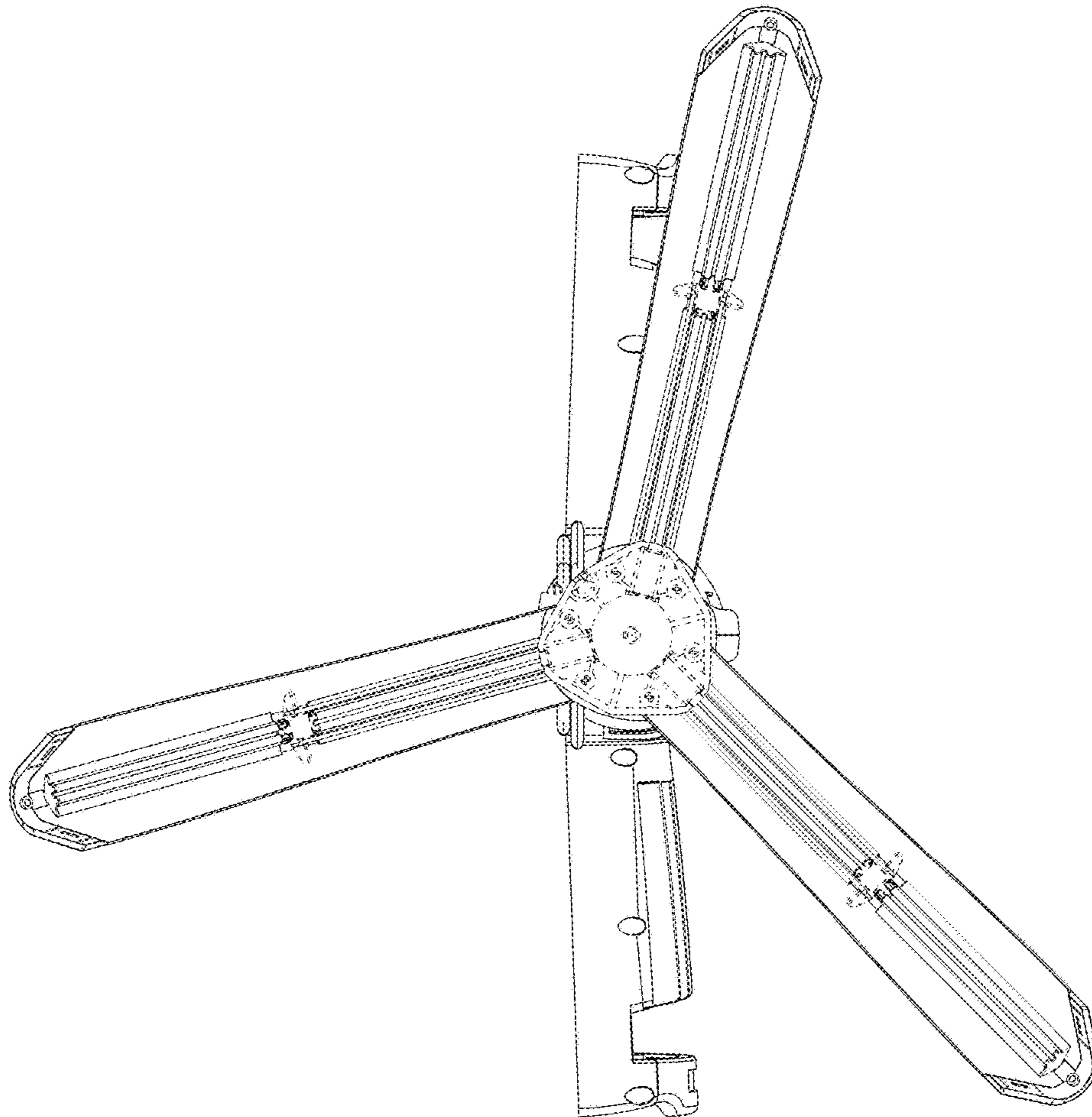


FIG. 3

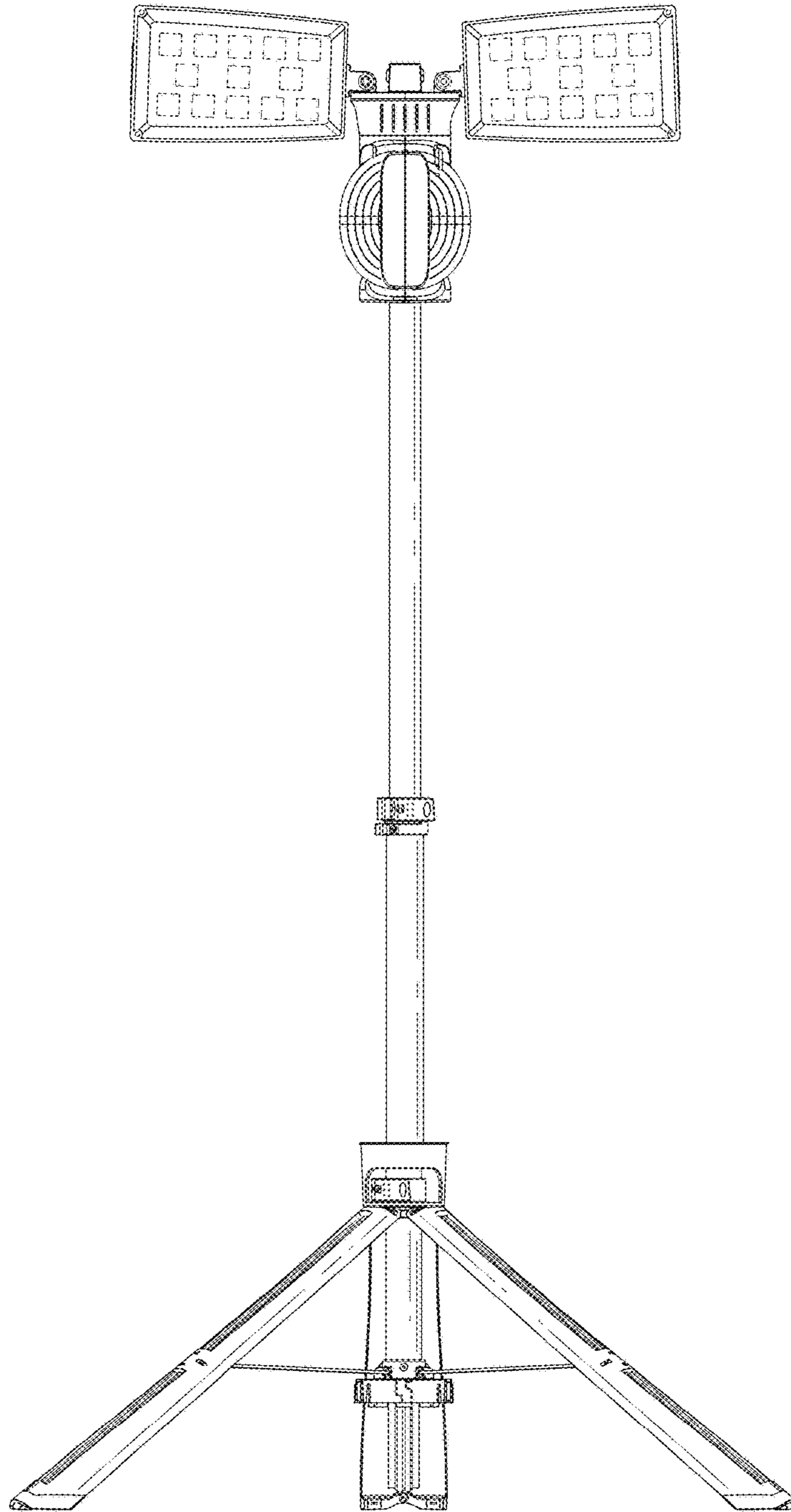


FIG.4

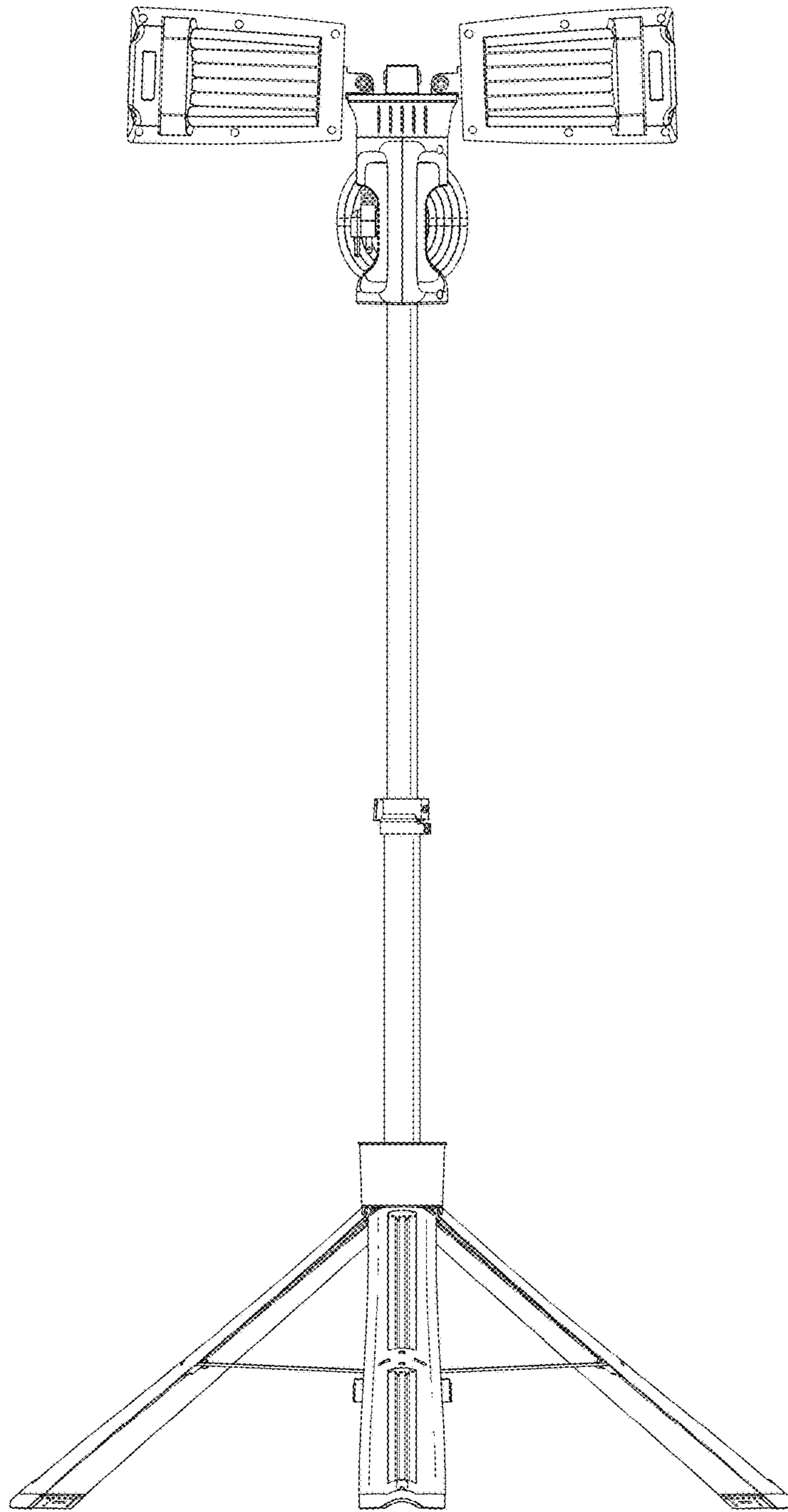


FIG. 5

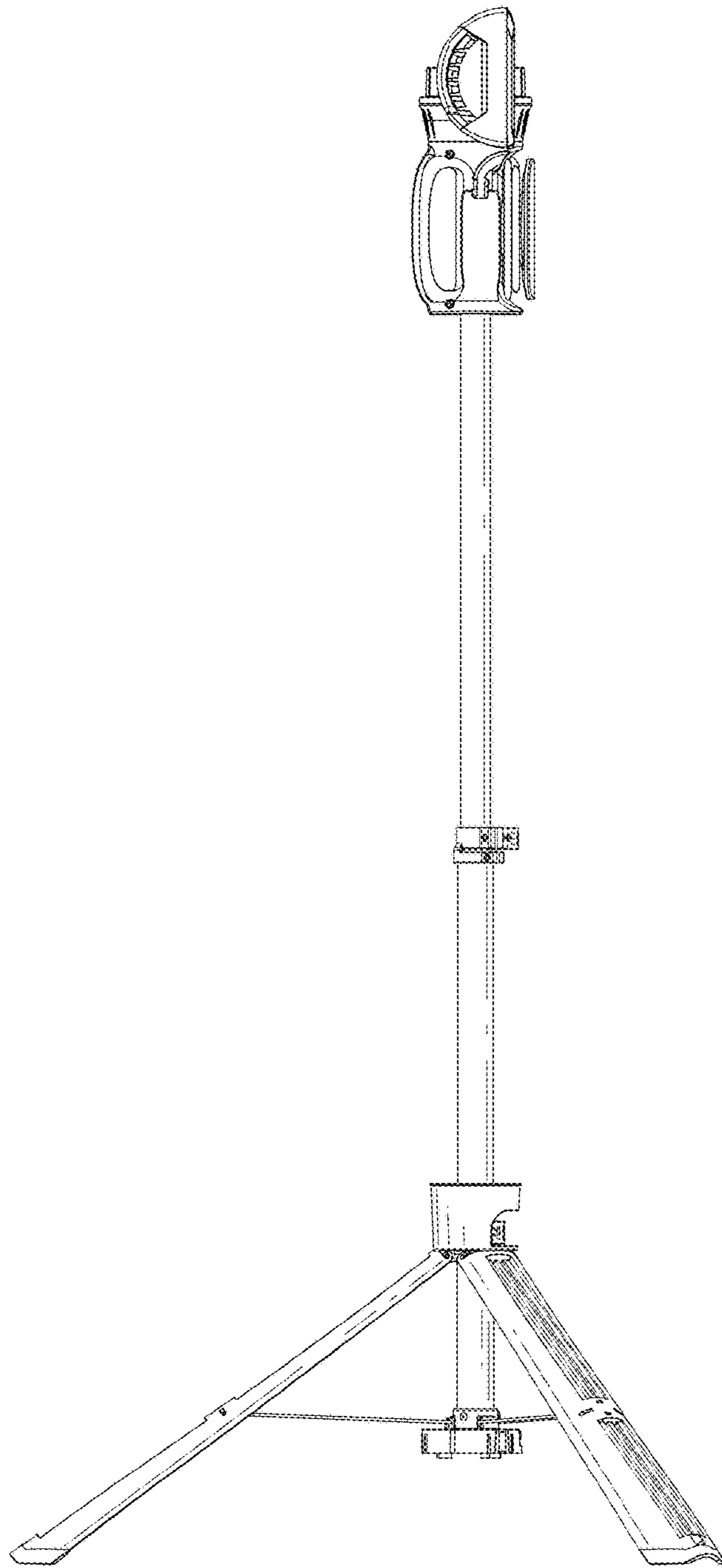


FIG. 6

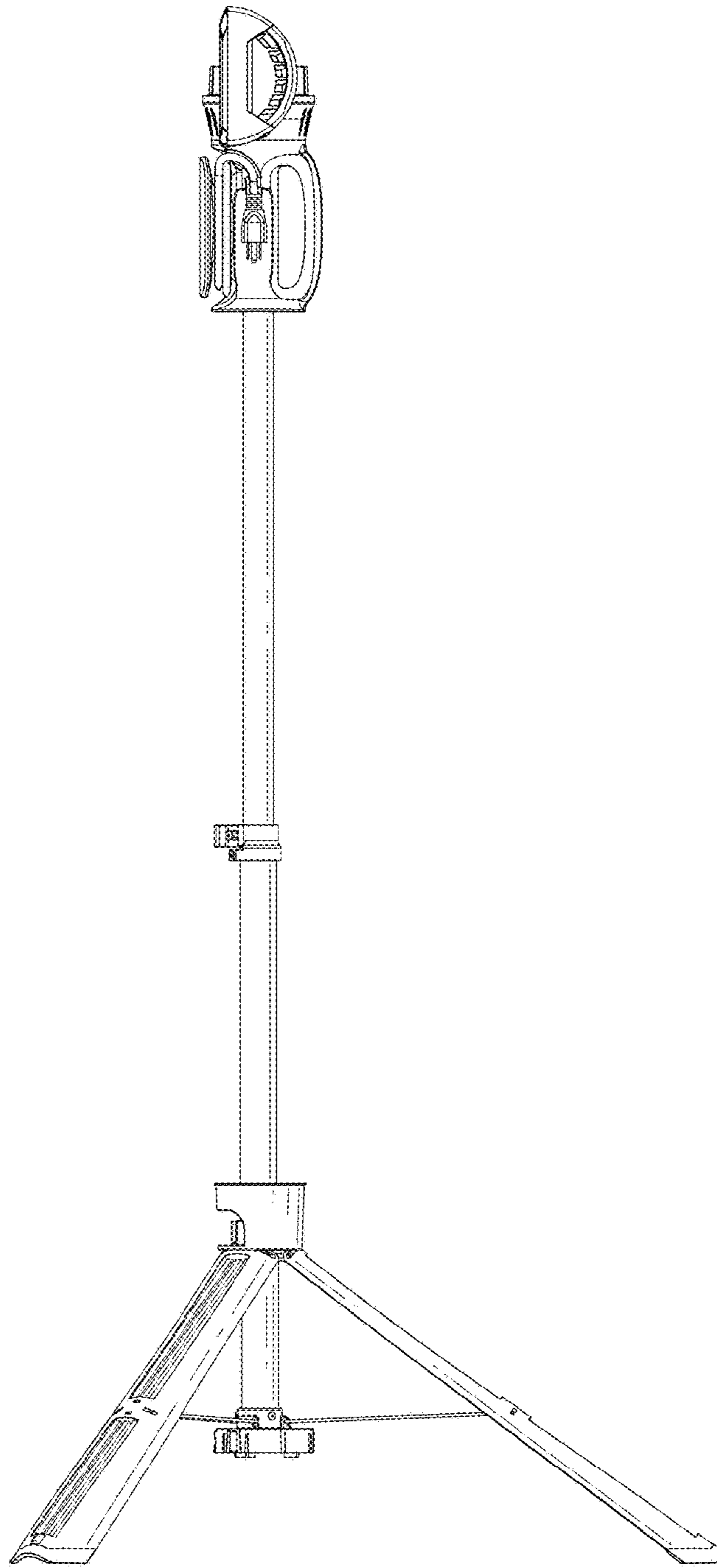


FIG. 7