



US00D848655S

(12) **United States Design Patent** (10) **Patent No.:** **US D848,655 S**
Fang (45) **Date of Patent:** **** May 14, 2019**

(54) **WORK LIGHT**

D730,553 S * 5/2015 Naksen D26/63
D743,603 S * 11/2015 Inskeep D26/63
D770,657 S 11/2016 Fang

(71) Applicant: **Ningbo Utec Electric Co. Ltd.**, Yuyao, Zhejiang (CN)

* cited by examiner

(72) Inventor: **Yi Fang**, Zhejiang (CN)

Primary Examiner — Brian N. Vinson

(73) Assignee: **Ningbo Utec Electric Co., Ltd.**, Yuyao (CN)

(74) *Attorney, Agent, or Firm* — Raymond Sun

(**) Term: **15 Years**

(57) **CLAIM**

(21) Appl. No.: **29/623,110**

The ornamental design for a work light, as shown and described.

(22) Filed: **Oct. 23, 2017**

(51) **LOC (11) Cl.** **26-03**

(52) **U.S. Cl.**
USPC **D26/63**

DESCRIPTION

(58) **Field of Classification Search**
USPC D26/1, 24, 61, 63, 65, 85, 92, 51, 111
CPC F21V 21/14; F21V 15/01; F21V 14/02;
F21V 21/30; F21V 21/00; F21V 14/00;
F21S 8/00; F21S 8/003; F21S 8/043;
F21Y 2105/001

FIG. 1 is a front perspective view of a work light showing my new design.
FIG. 2 is a top view thereof.
FIG. 3 is a bottom view thereof.
FIG. 4 is a front view thereof.
FIG. 5 is a rear view thereof.
FIG. 6 is a left view thereof; and,
FIG. 7 is a right view thereof.

See application file for complete search history.

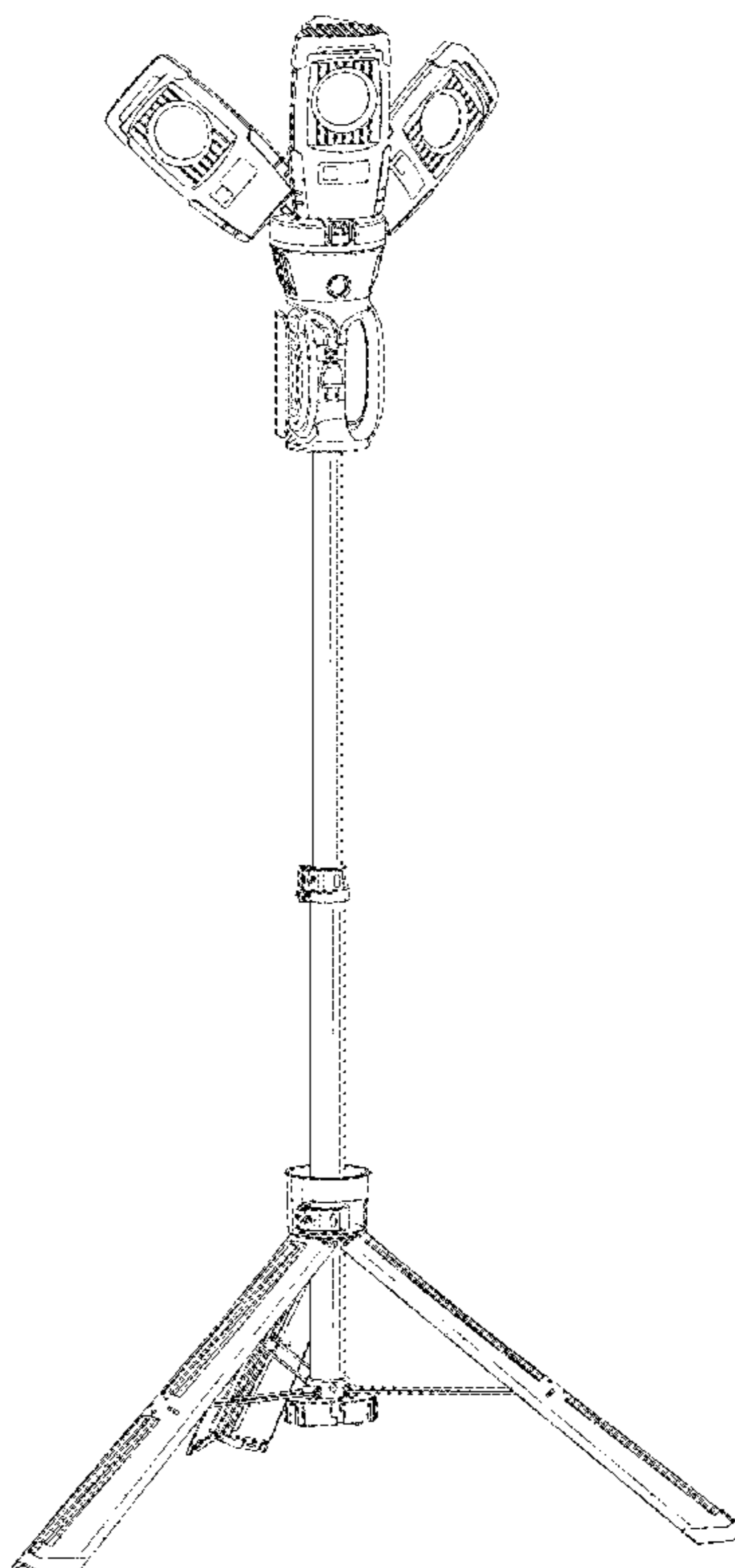
The broken lines shown in the figures represent portions of the work light that form no part of the claimed design.

(56) **References Cited**

U.S. PATENT DOCUMENTS

1 Claim, 7 Drawing Sheets

D623,786 S * 9/2010 Wessel D26/51



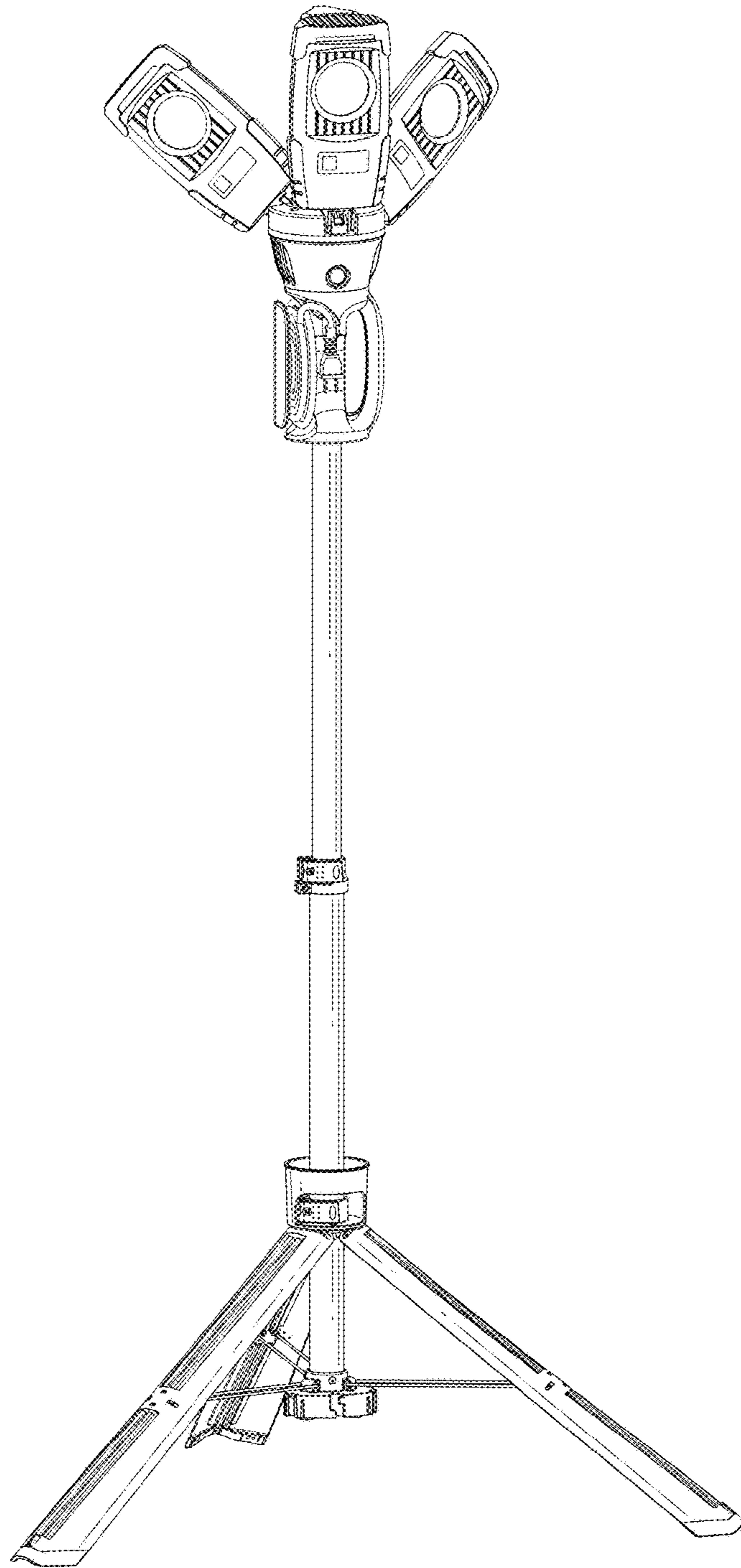


FIG. 1

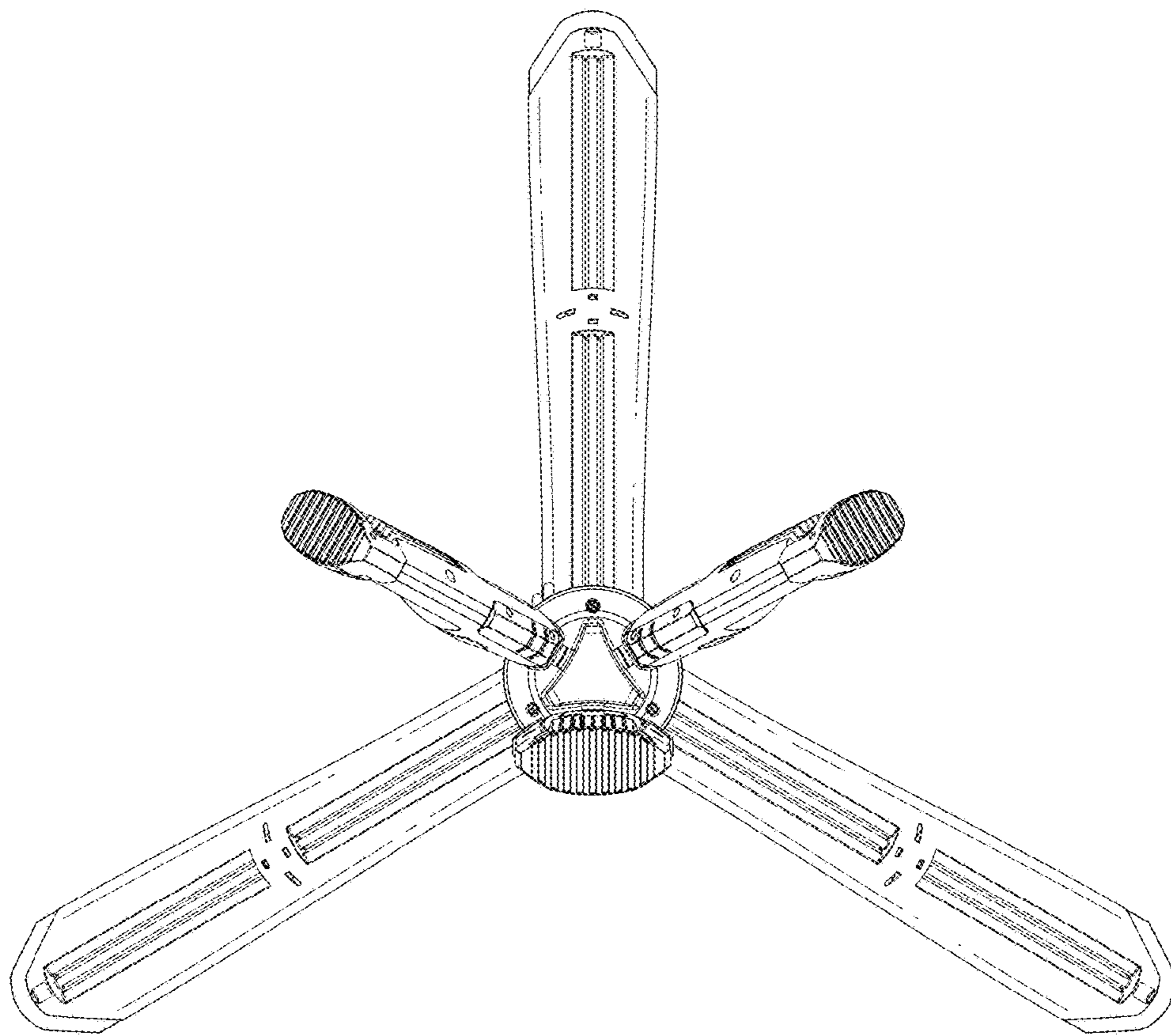


FIG. 2

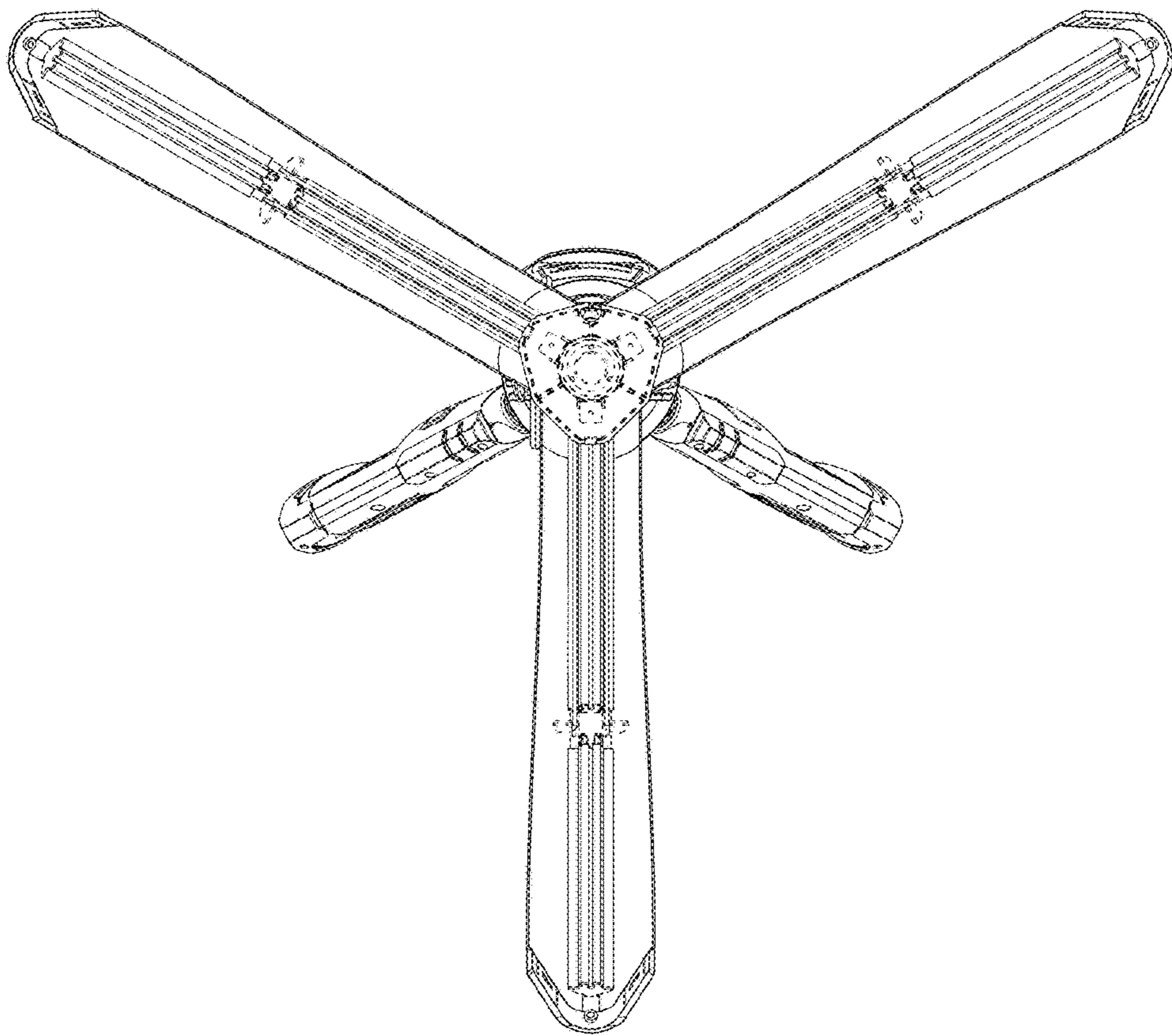


FIG.3

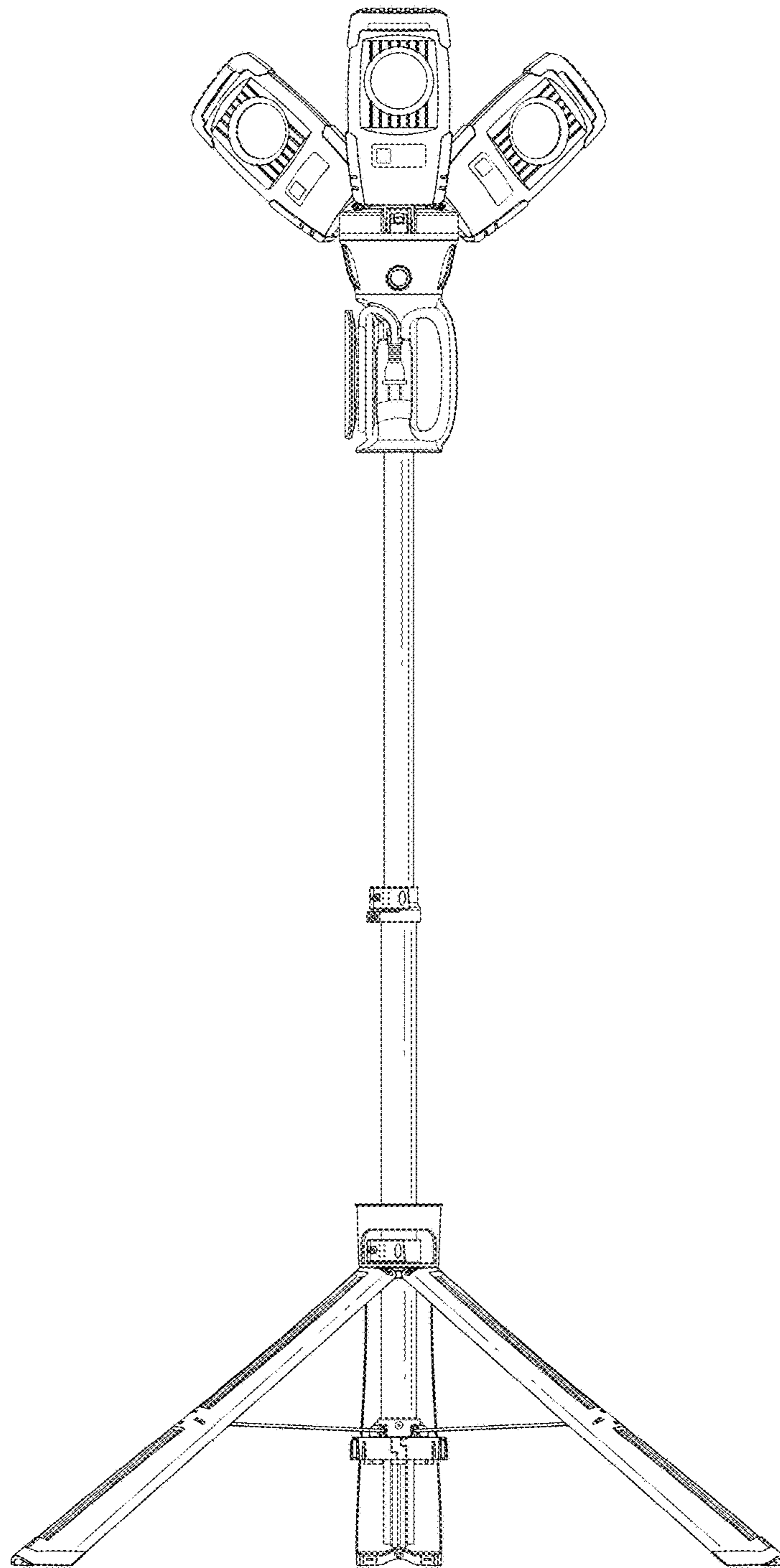


FIG.4

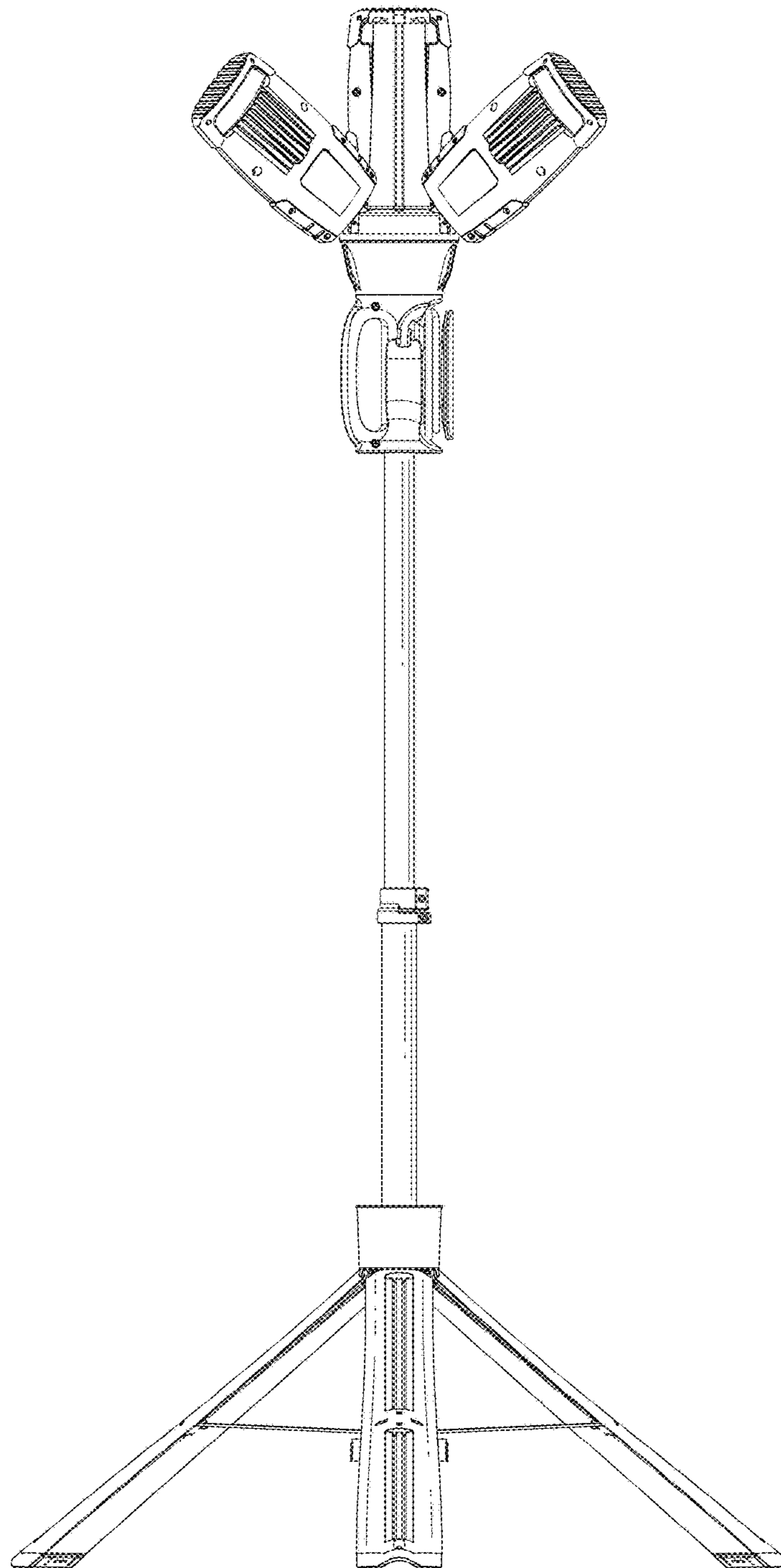


FIG.5

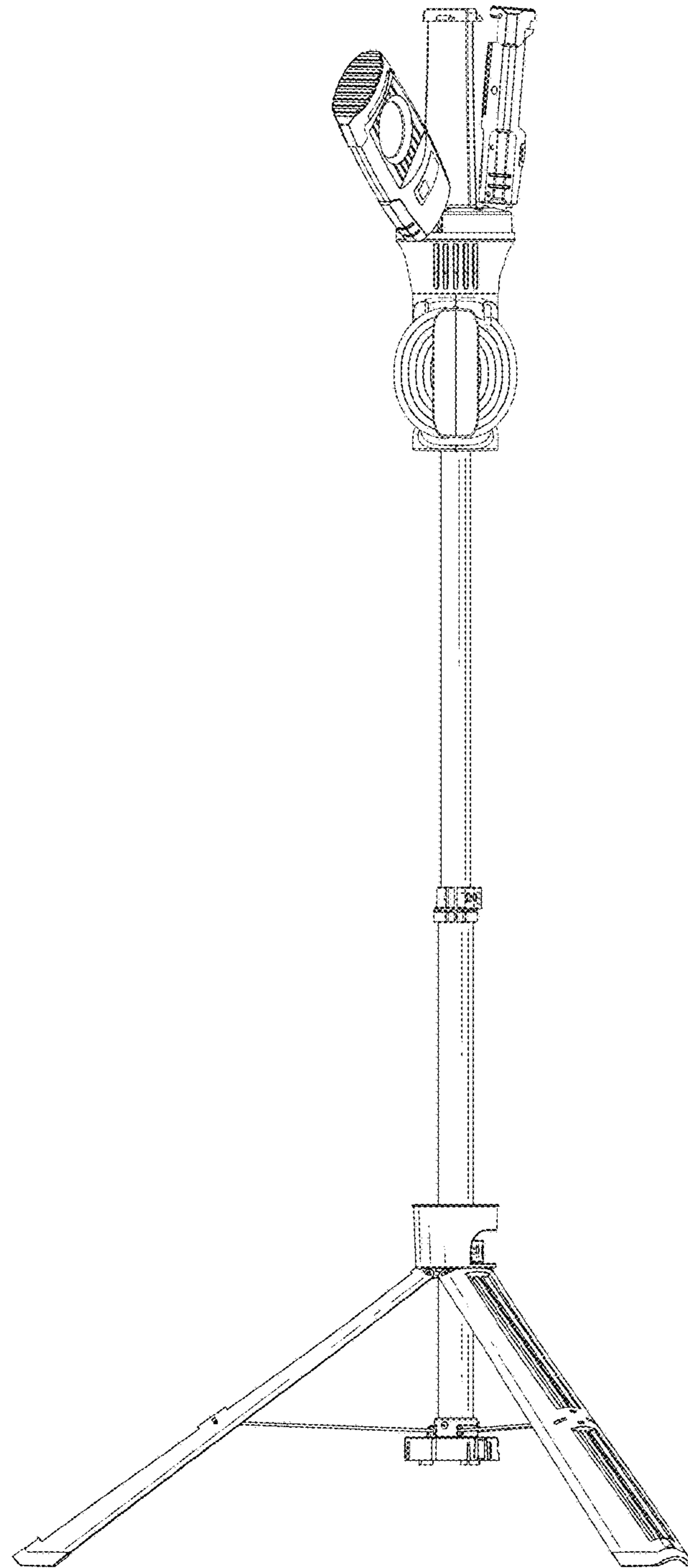


FIG. 6

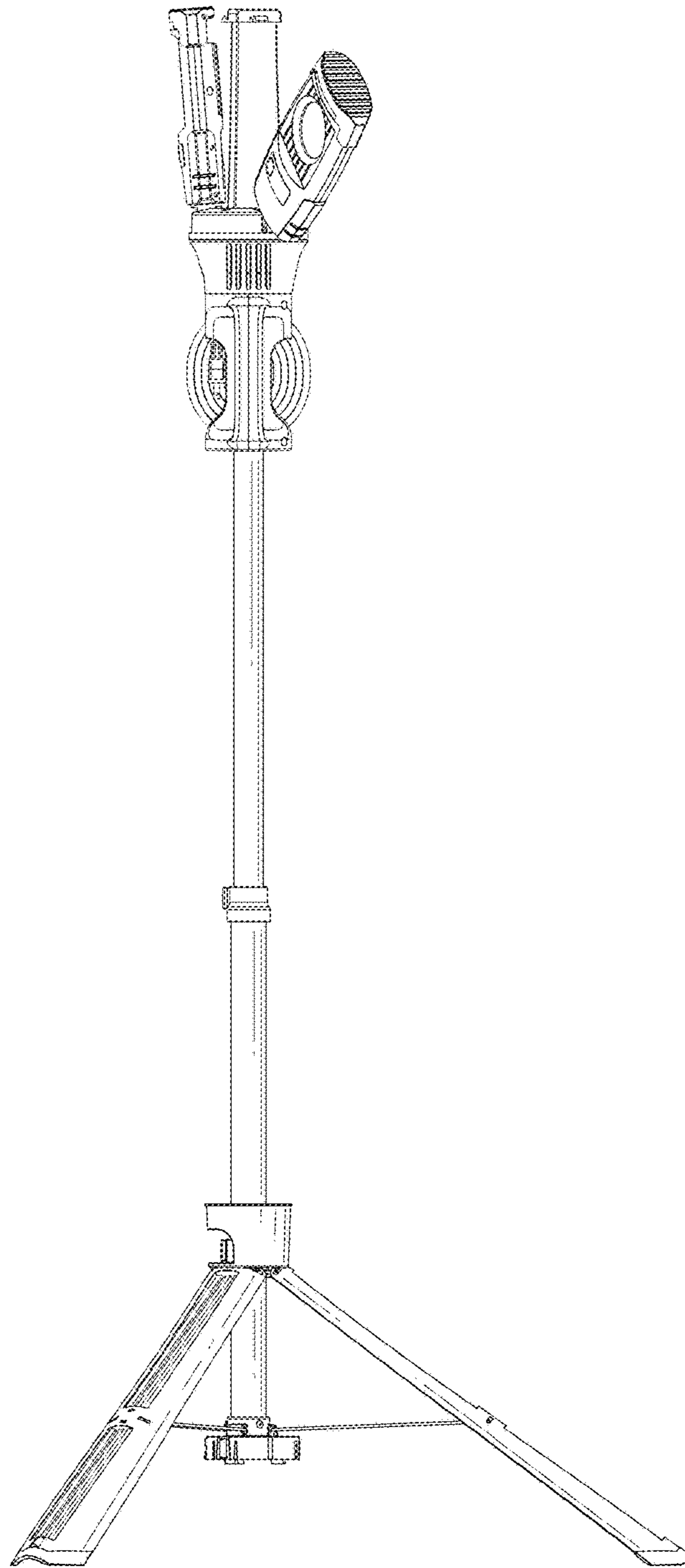


FIG. 7