



US00D848653S

(12) **United States Design Patent** (10) **Patent No.:** **US D848,653 S**  
**Gines** (45) **Date of Patent:** **\*\* May 14, 2019**

(54) **LIGHTING APPARATUS**  
(71) Applicant: **IGUZZINI ILLUMINAZIONE S.P.A.**,  
Recanati (IT)  
(72) Inventor: **Maurici Gines**, Sant Cugat Del Valles  
(ES)  
(73) Assignee: **IGUZZINI ILLUMINAZIONE S.P.A.**,  
Recanati (IT)  
(\*\*) Term: **15 Years**  
(21) Appl. No.: **29/609,108**  
(22) Filed: **Jun. 28, 2017**

(30) **Foreign Application Priority Data**  
Dec. 28, 2016 (EM) ..... 003550011-0005  
(51) **LOC (11) Cl.** ..... **26-03**  
(52) **U.S. Cl.**  
USPC ..... **D26/63**  
(58) **Field of Classification Search**  
USPC ..... D26/24, 60-65, 93  
CPC ..... F21S 8/00; F21S 8/02; F21S 8/003; F21S  
8/026; F21S 8/03; F21S 8/038; F21S  
8/04; F21S 8/043; F21S 6/00; F21V  
5/046; F21V 5/04; F21V 1/00; F21V  
5/00; F21V 21/02; F21V 15/01  
See application file for complete search history.

(56) **References Cited**  
**U.S. PATENT DOCUMENTS**  
D407,518 S \* 3/1999 Yeh ..... D26/63  
D655,841 S \* 3/2012 Coleman, Jr. .... D26/63

D713,595 S \* 9/2014 Lechtenberg ..... D26/118  
D715,474 S \* 10/2014 Janos ..... D26/63  
D740,989 S \* 10/2015 Vasquez ..... D26/63  
D767,192 S \* 9/2016 Cai ..... D26/63  
D773,093 S \* 11/2016 Dworschak ..... D26/63  
D812,280 S \* 3/2018 Lechtenberg ..... D26/63

\* cited by examiner  
*Primary Examiner* — Brian N. Vinson  
(74) *Attorney, Agent, or Firm* — Browdy and Neimark,  
P.L.L.C.

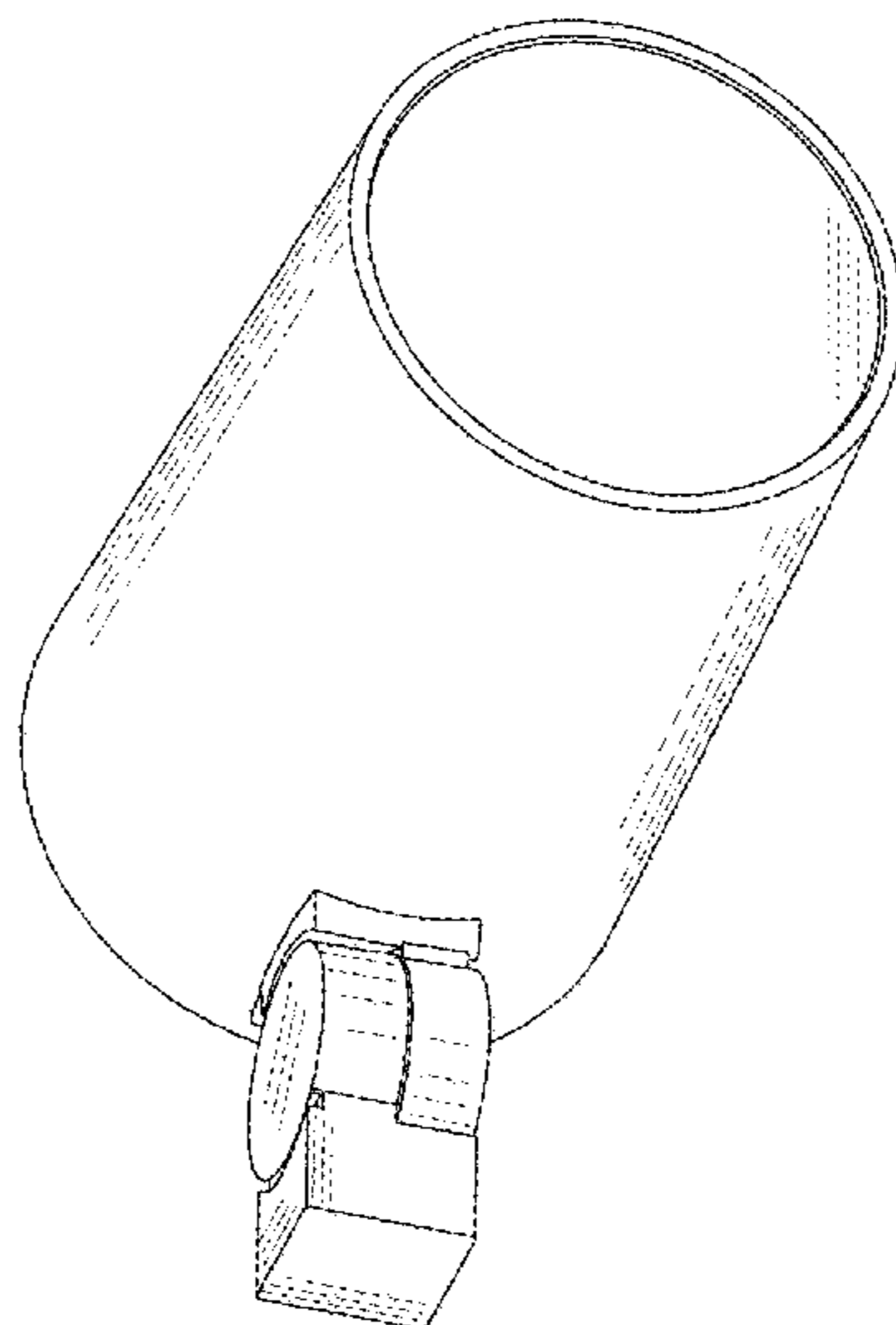
(57) **CLAIM**

The ornamental design for a lighting apparatus, as shown and described.

**DESCRIPTION**

FIG. 1 is a perspective view of the lighting apparatus showing my new design;  
FIG. 2 is a front view thereof;  
FIG. 3 is a right side view thereof;  
FIG. 4 is a left side view thereof;  
FIG. 5 is a rear view thereof;  
FIG. 6 is top view thereof; and,  
FIG. 7 is a bottom view thereof.  
The broken lines in the drawings are included for purposes of illustrating portions of the lighting apparatus that form no part of the claimed design.

**1 Claim, 7 Drawing Sheets**



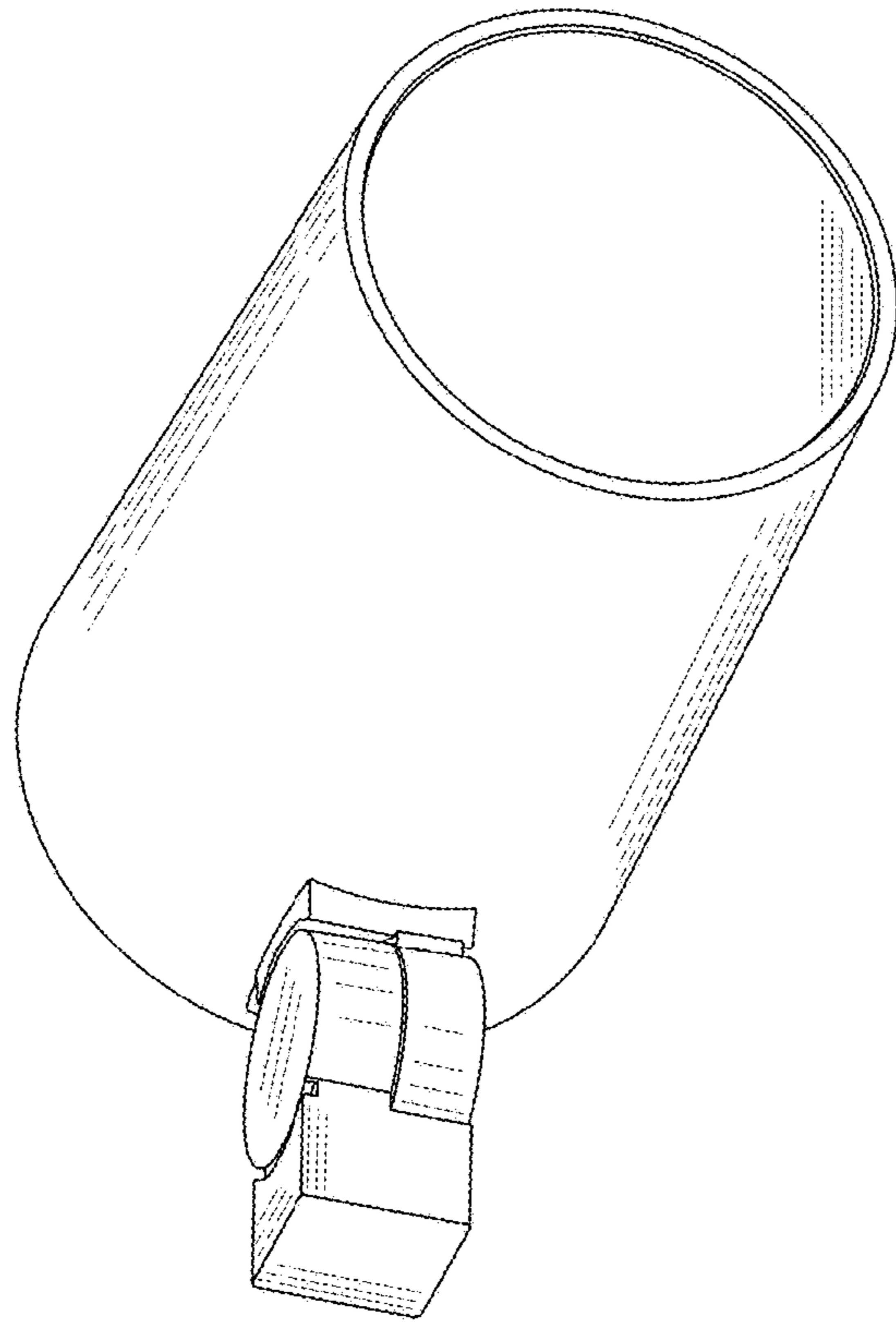


FIG. 1

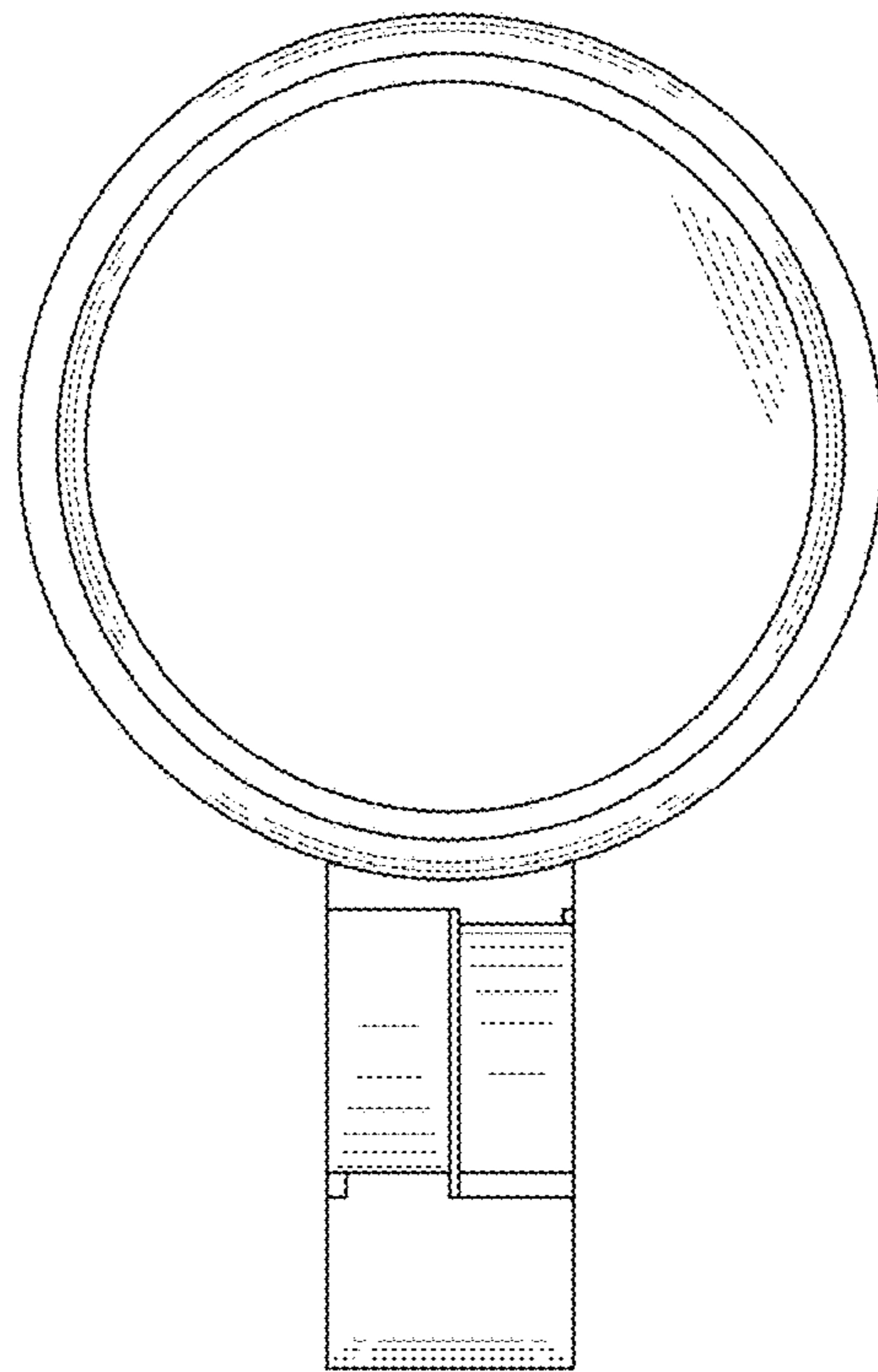


FIG. 2

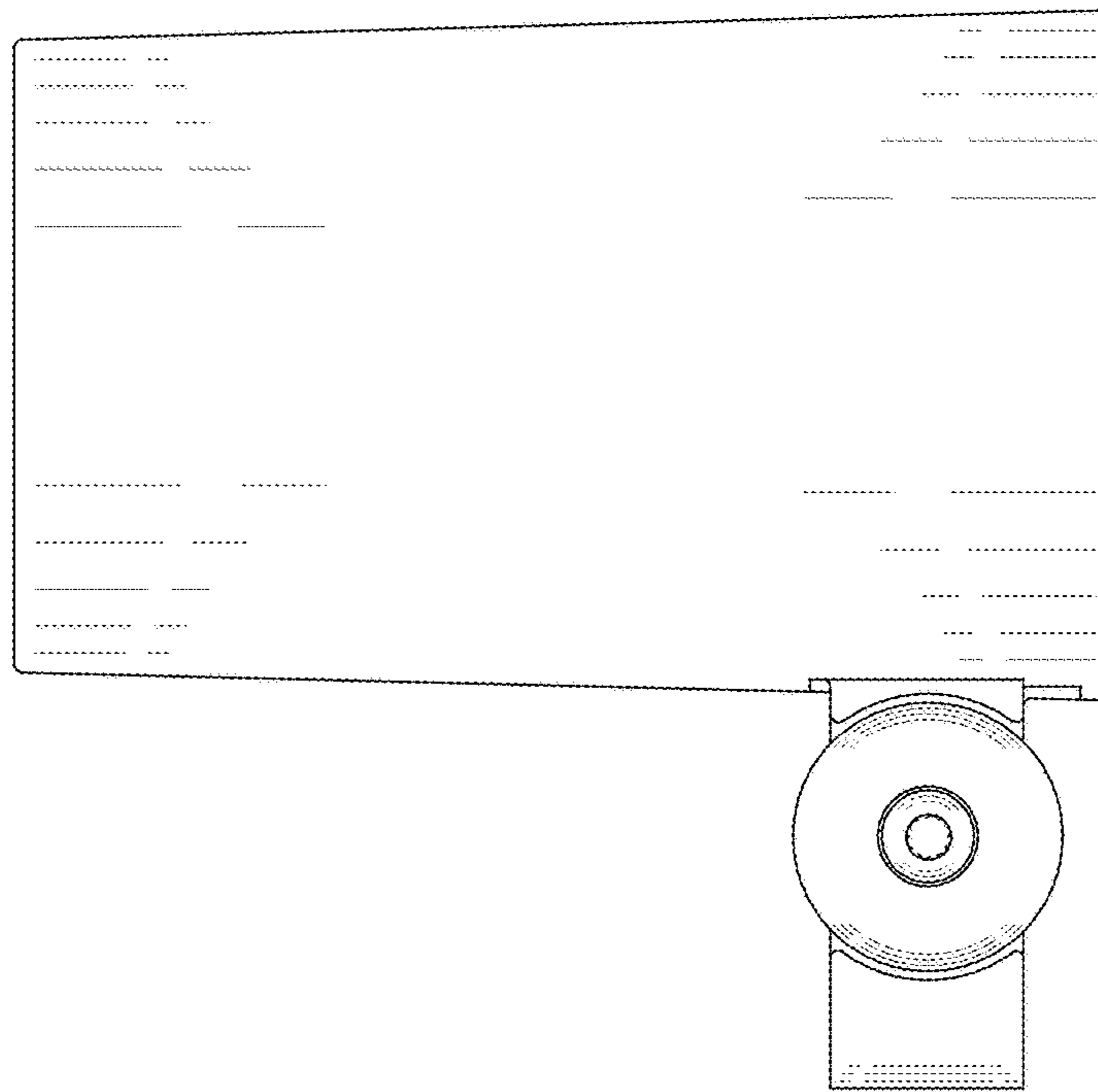


FIG. 3

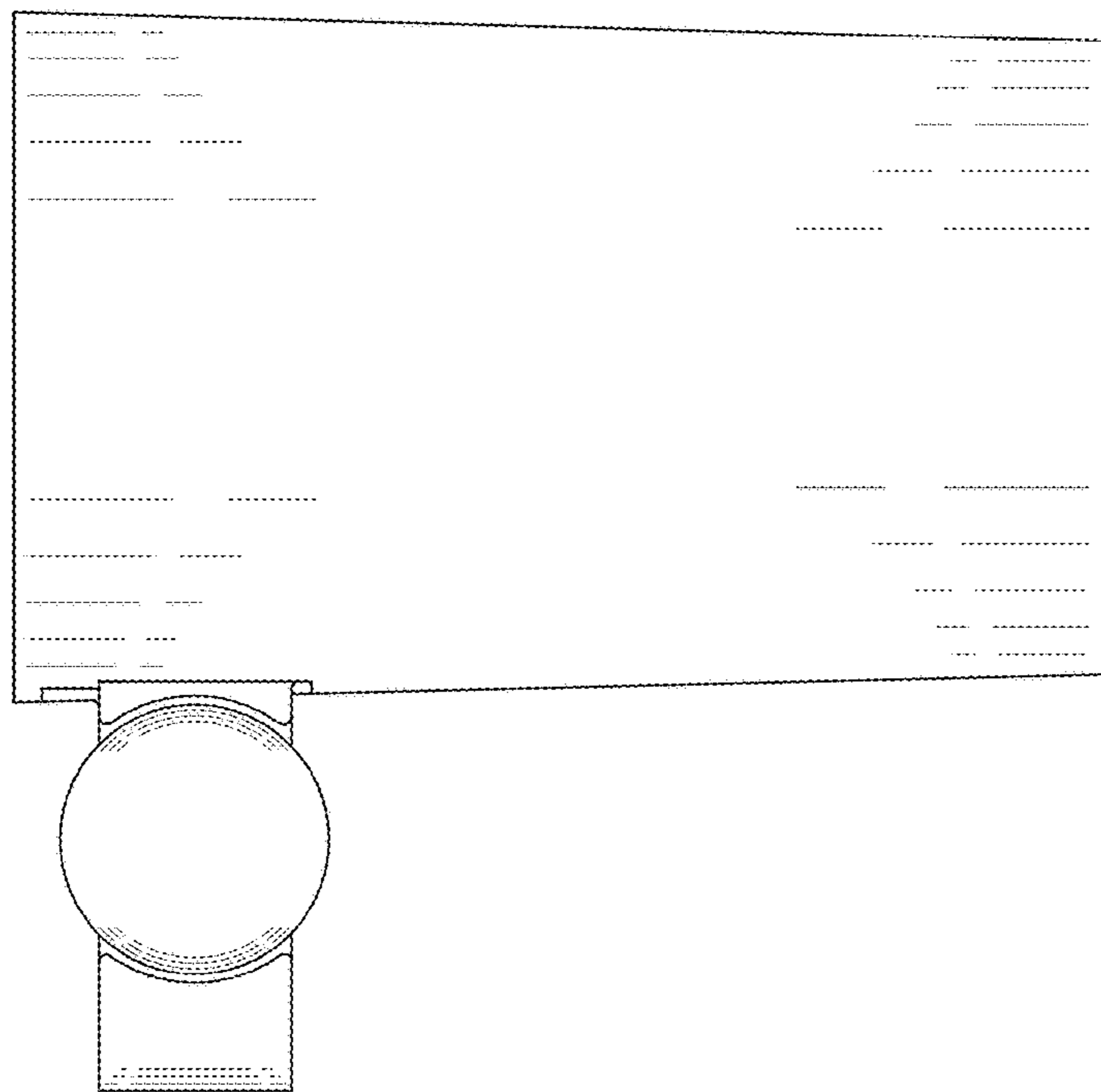


FIG. 4

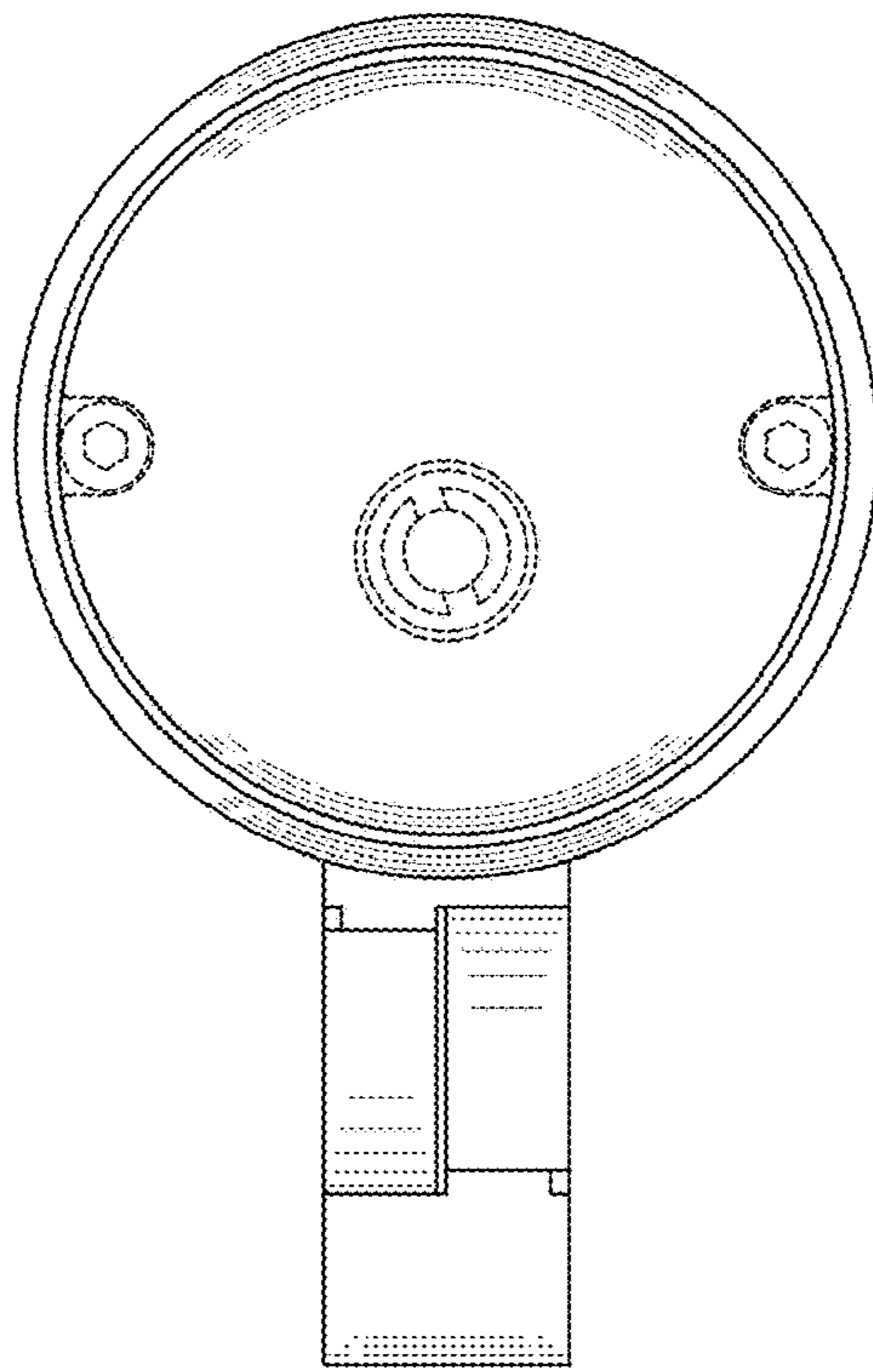


FIG. 5

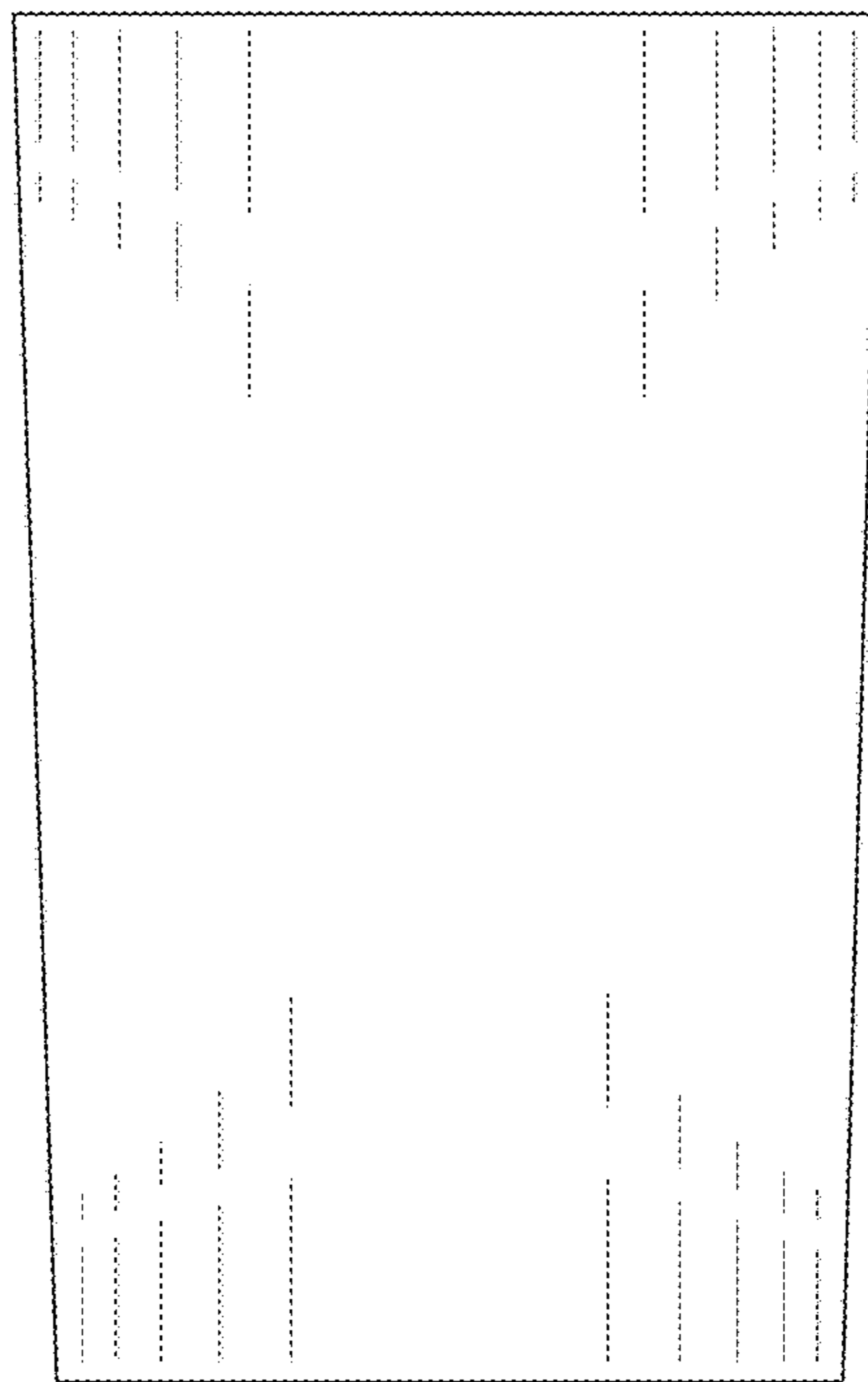


FIG. 6

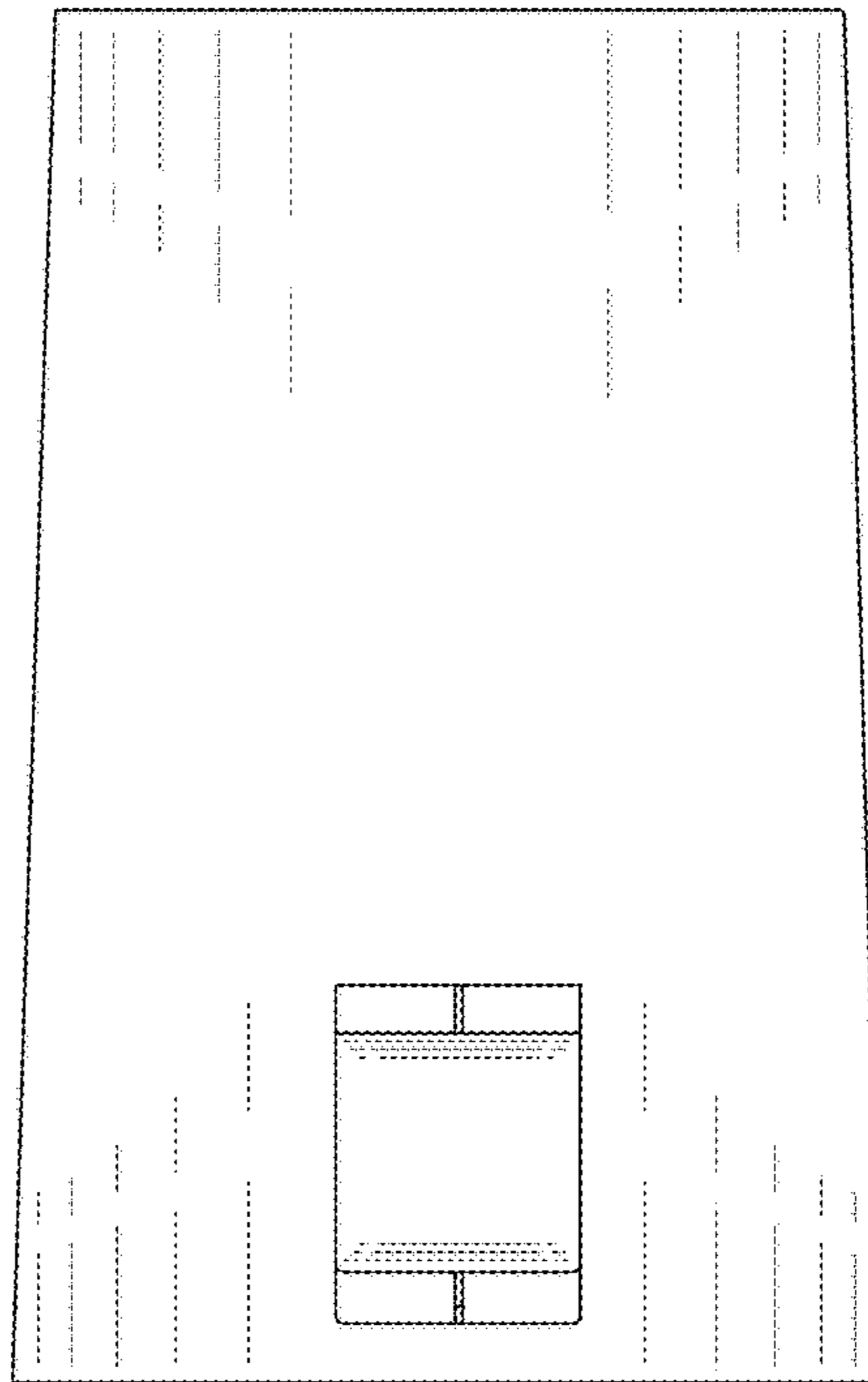


FIG. 7