



US00D848652S

(12) **United States Design Patent** (10) **Patent No.:** **US D848,652 S**  
**Davila et al.** (45) **Date of Patent:** **\*\* May 14, 2019**

- (54) **MOUSE LASER POINTER**
- (71) Applicant: **Worldwise, Inc.**, Novato, CA (US)
- (72) Inventors: **Victoria Davila**, San Francisco, CA (US); **Aimee Diskin**, Napa, CA (US); **Hannah Rosenberg**, San Francisco, CA (US); **Lisa Davis**, Fairfax, CA (US)
- (73) Assignee: **Worldwise, Inc.**, Novato, CA (US)
- (\*\*) Term: **15 Years**
- (21) Appl. No.: **29/602,434**
- (22) Filed: **May 1, 2017**
- (51) **LOC (11) Cl.** ..... **26-02**
- (52) **U.S. Cl.**  
USPC ..... **D26/47**
- (58) **Field of Classification Search**  
USPC ..... D26/37-51; D14/402, 403  
CPC ..... F21L 2003/00; F21L 4/00; F21L 4/005;  
F21L 4/02; F21L 4/025; F21L 4/027;  
F21L 4/04; F21L 4/08; F21L 2005/00;  
F21L 7/00; F21L 11/00; F21L 13/00;  
F21L 13/04; F21L 13/08; F21L 14/02;  
F21L 17/00; F21L 19/00; F21L 25/00  
See application file for complete search history.

D490,078 S *	5/2004	Mak	.....	D14/402
D493,562 S *	7/2004	Sehl	.....	D26/98
D493,908 S *	8/2004	Sehl	.....	D26/98
D566,313 S *	4/2008	van der Lande	.....	D26/47
D579,134 S *	10/2008	van der Lande	.....	D26/47
D616,446 S *	5/2010	Wu	.....	D14/403
D666,342 S *	8/2012	Wang	.....	D26/38
D678,631 S *	3/2013	Paculdo	.....	D30/160
D698,954 S *	2/2014	Wang	.....	D26/38
D698,955 S *	2/2014	Wang	.....	D26/38
D765,799 S *	9/2016	Lui	.....	D21/656

\* cited by examiner

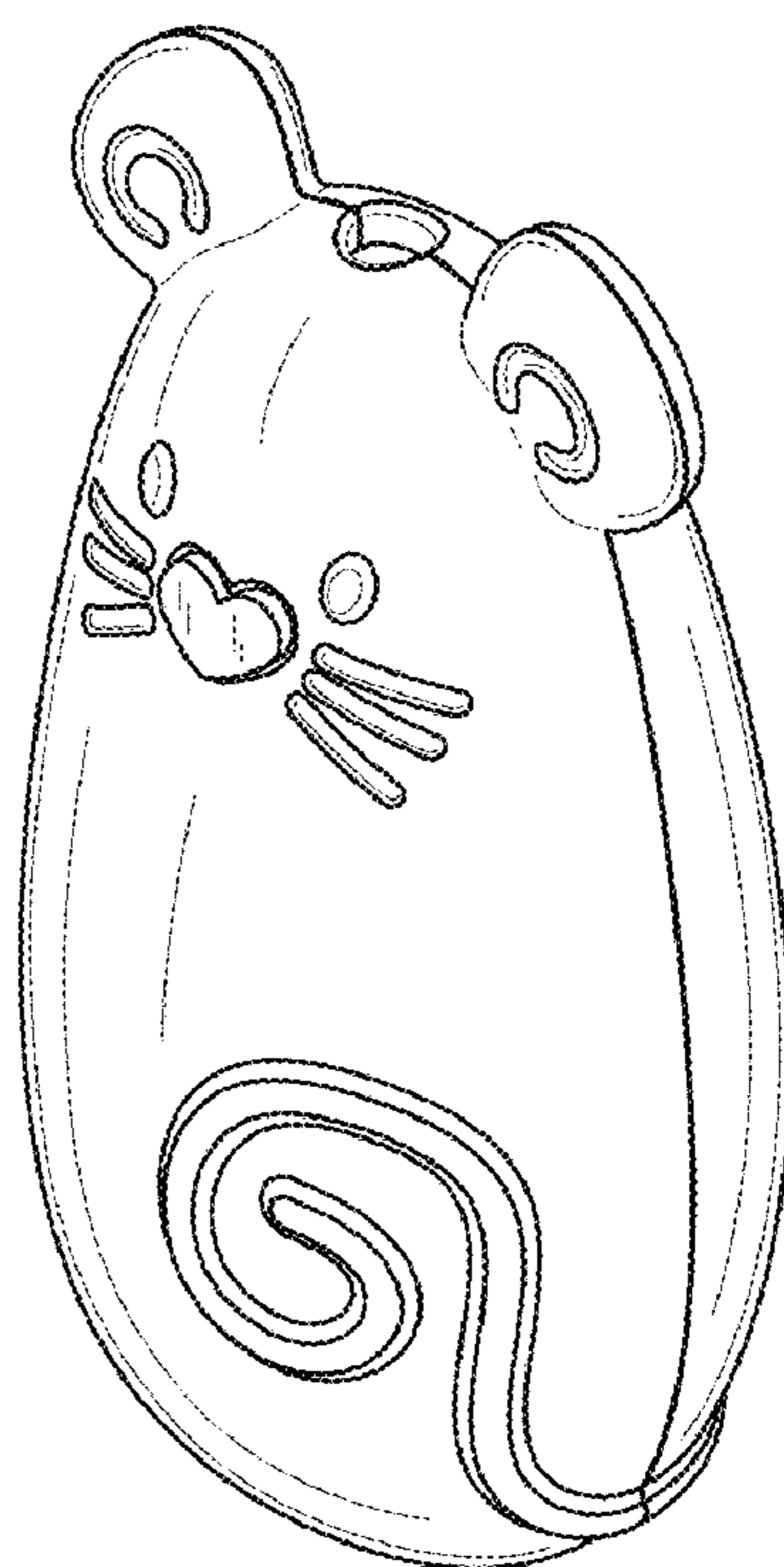
*Primary Examiner* — Lakiya G Rogers  
*Assistant Examiner* — Carissa C Fitts  
(74) *Attorney, Agent, or Firm* — Bay Area Technology Law Group PC

- (56) **References Cited**  
U.S. PATENT DOCUMENTS  
D396,315 S \* 7/1998 Hamerman ..... D21/604  
D438,865 S \* 3/2001 Smith ..... D14/402

(57) **CLAIM**  
The ornamental design for a mouse laser pointer, as shown and described.

**DESCRIPTION**  
FIG. 1 is a perspective view of a mouse laser pointer showing our new design;  
FIG. 2 is a front view of FIG. 1;  
FIG. 3 is a back view of FIG. 1;  
FIG. 4 is a right side view of FIG. 1;  
FIG. 5 is a left side view of FIG. 1;  
FIG. 6 is a top view of FIG. 1; and,  
FIG. 7 is a bottom view of FIG. 1.

**1 Claim, 2 Drawing Sheets**



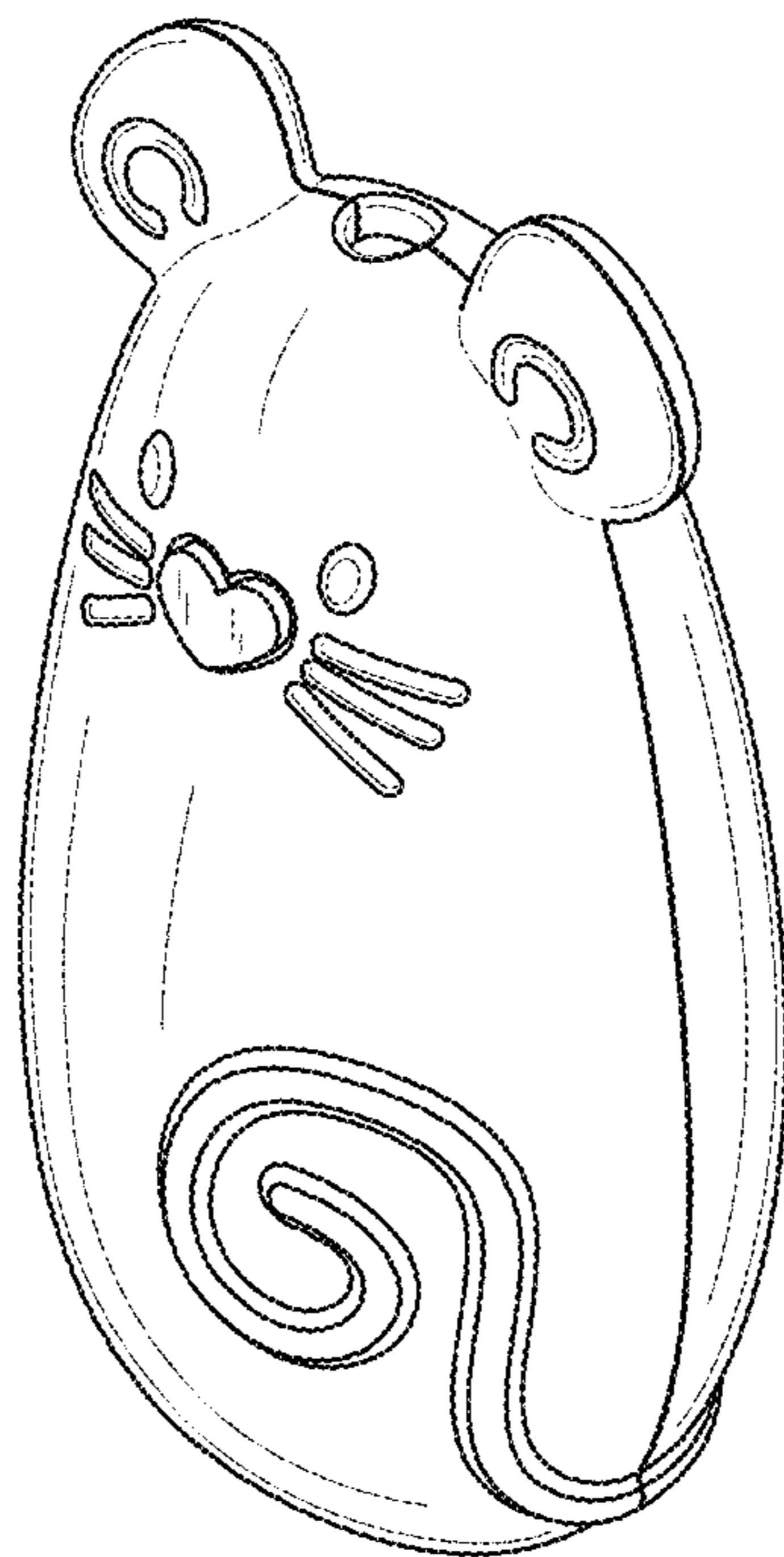


FIG. 1

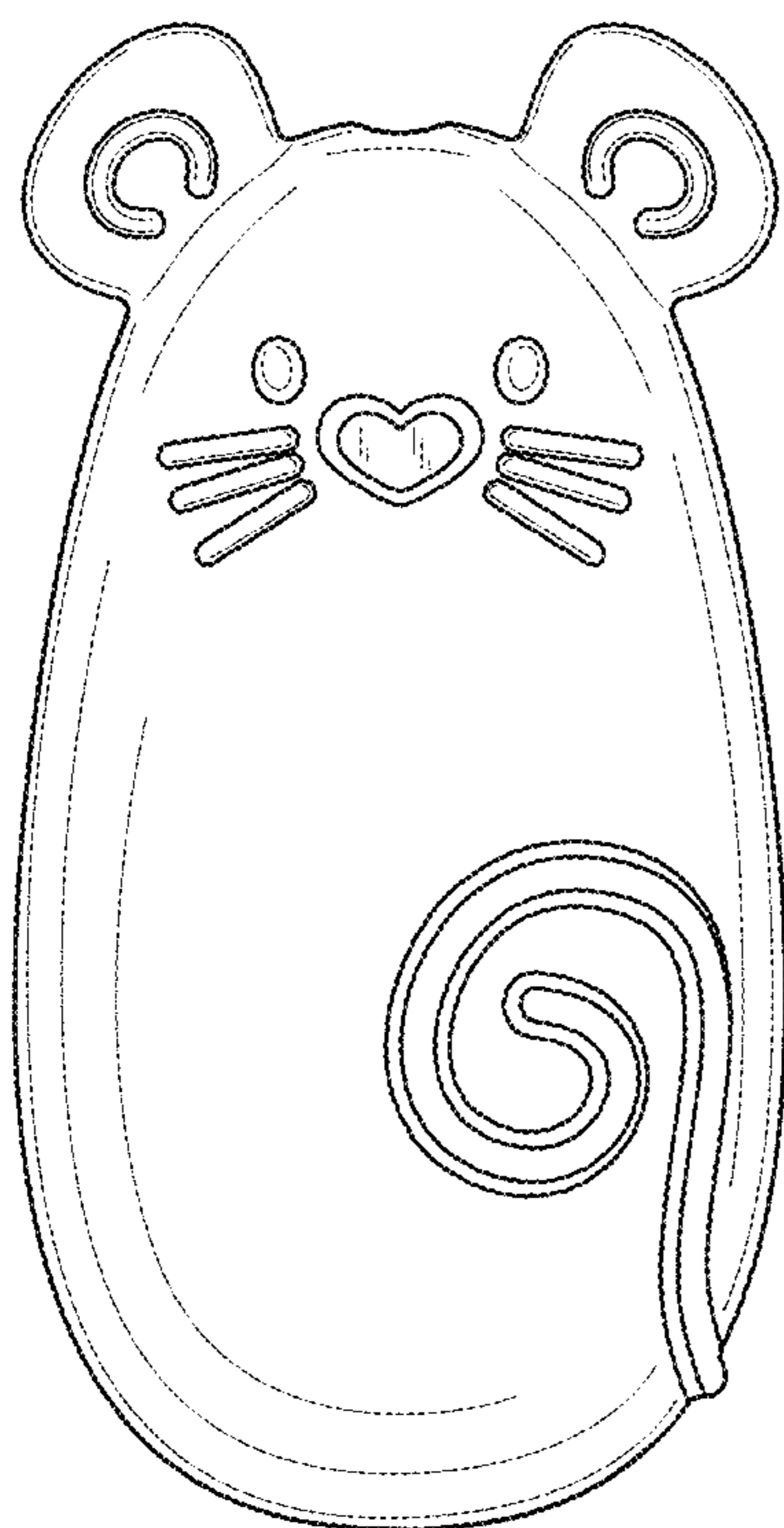


FIG. 2

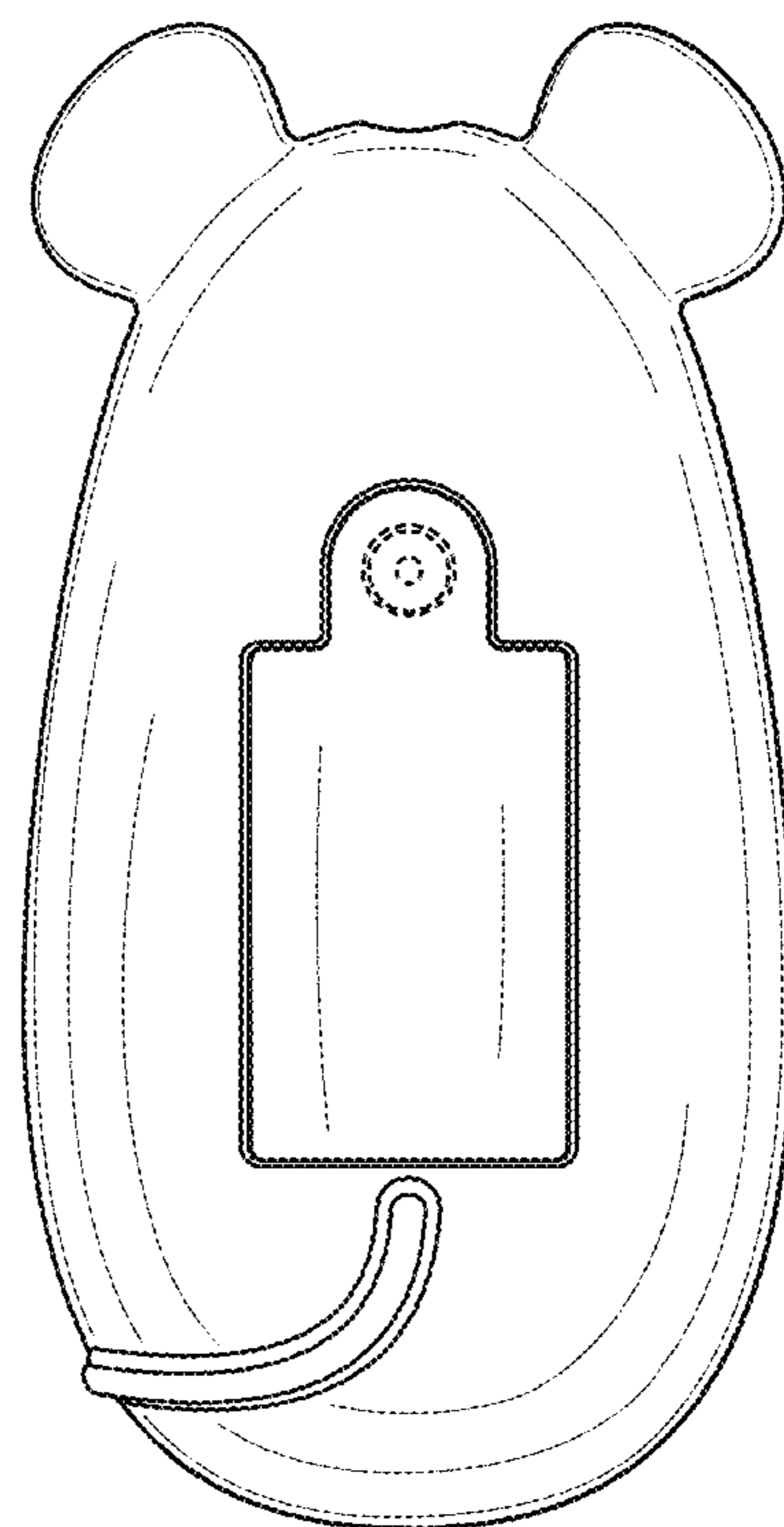


FIG. 3

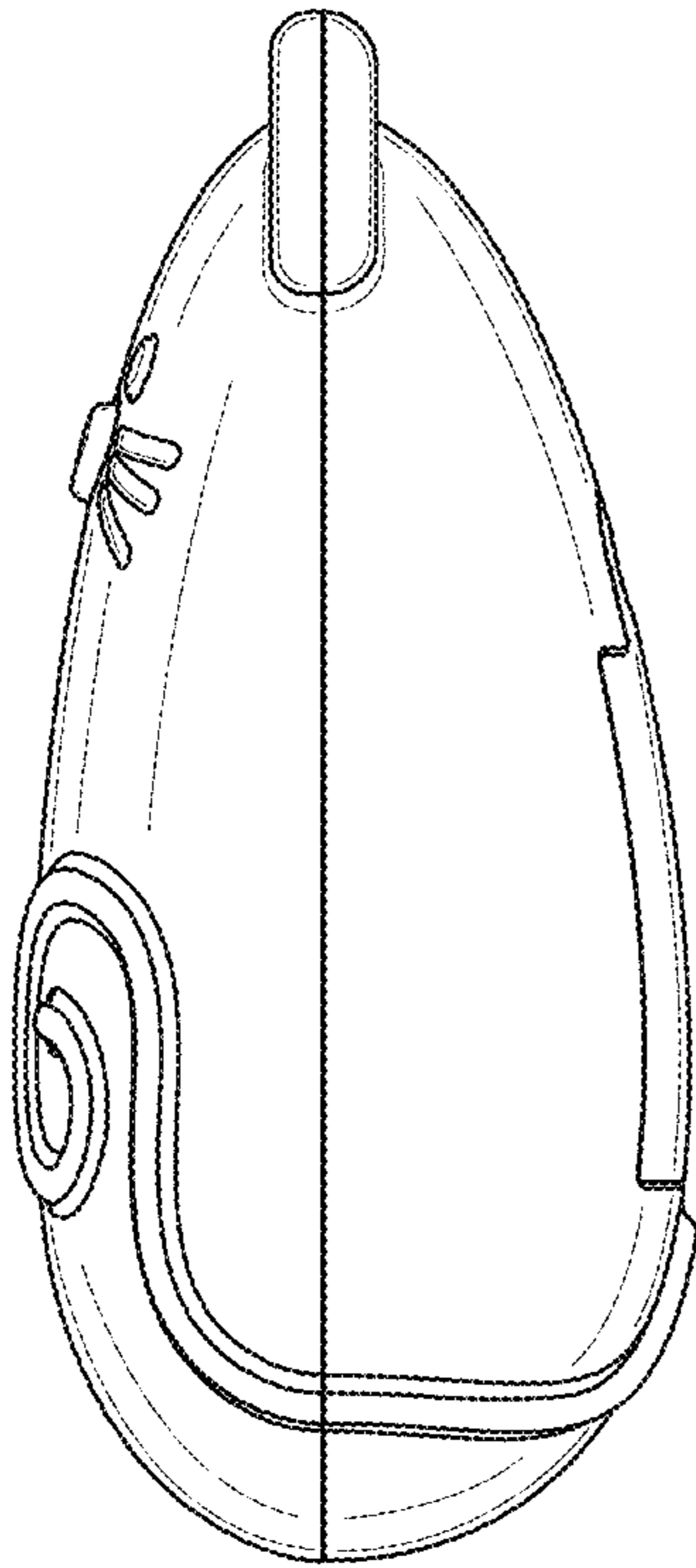


FIG. 4

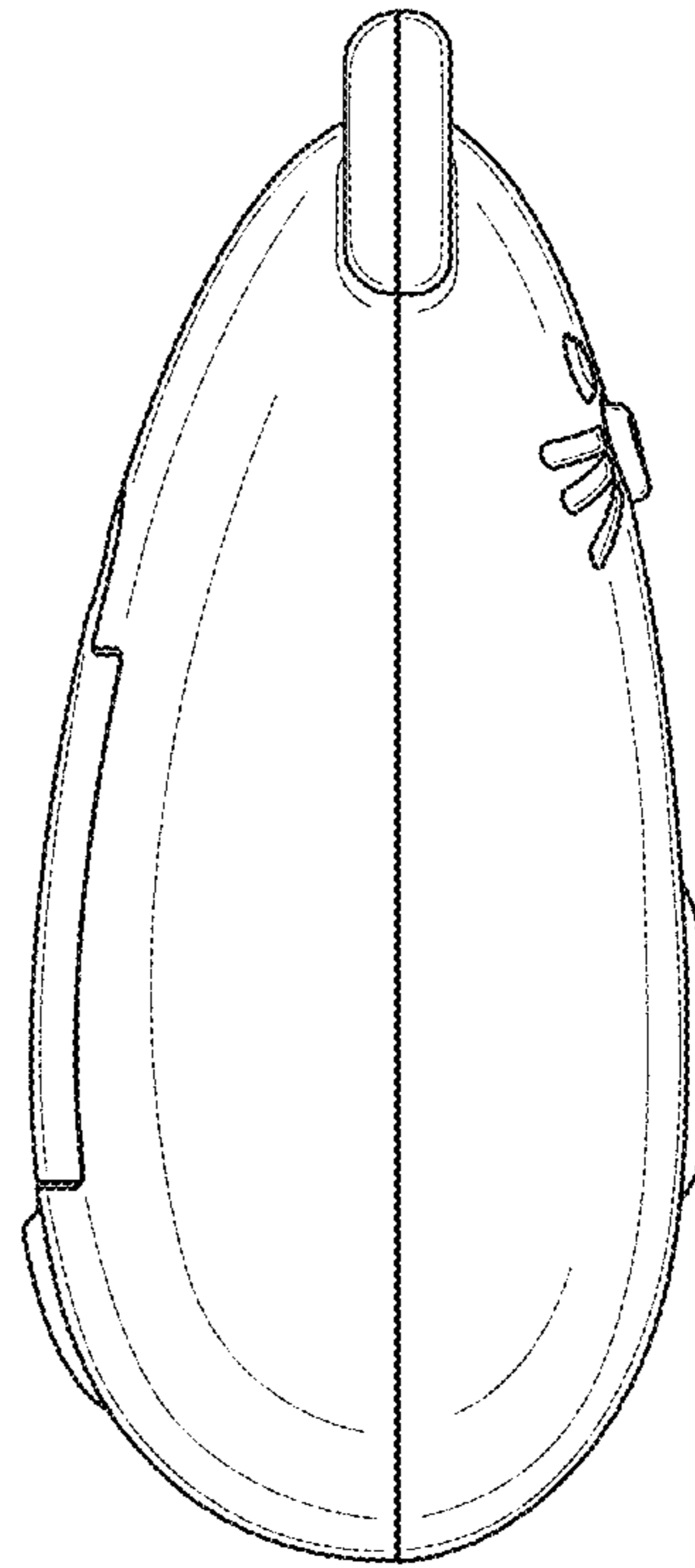


FIG. 5

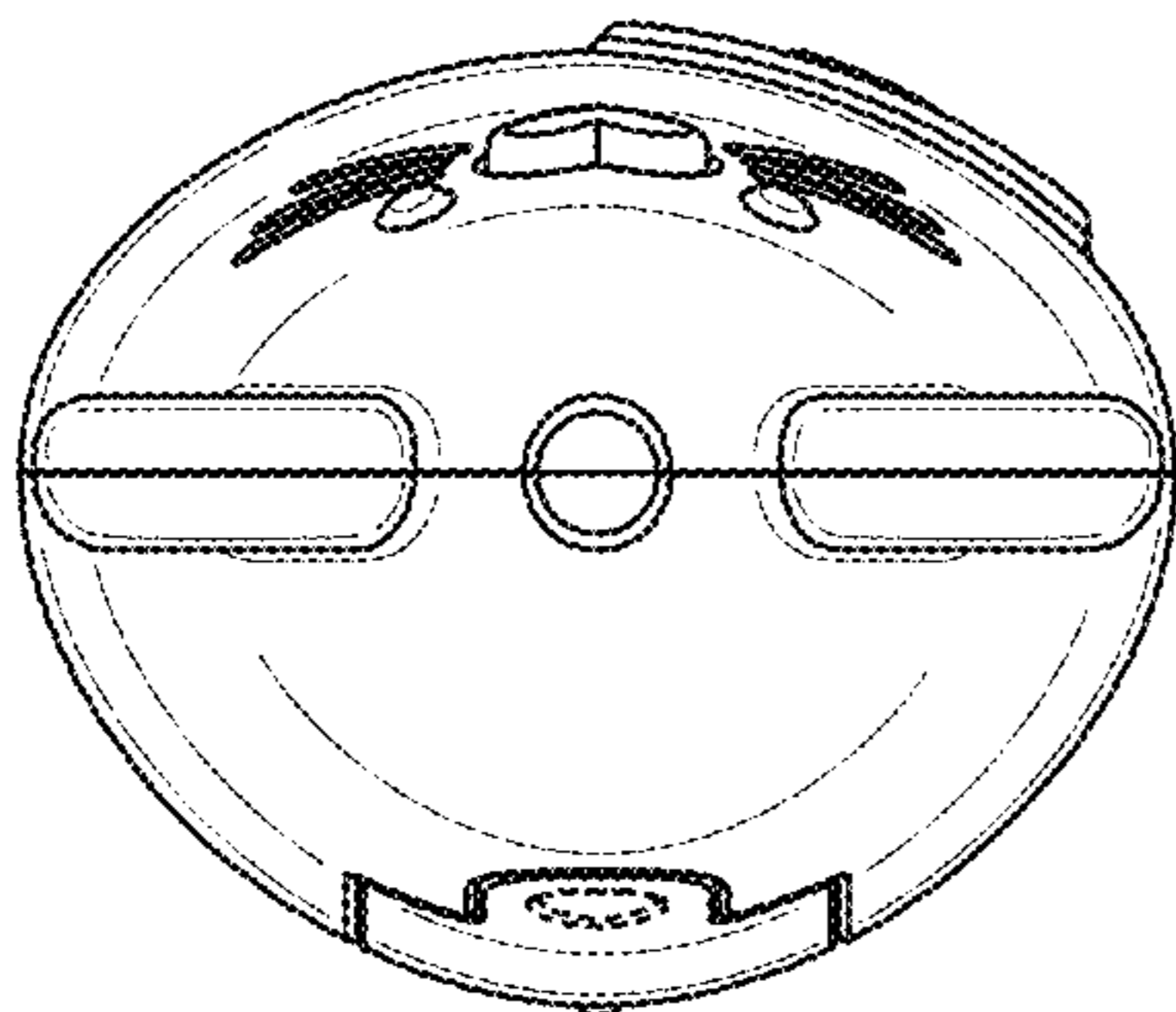


FIG. 6

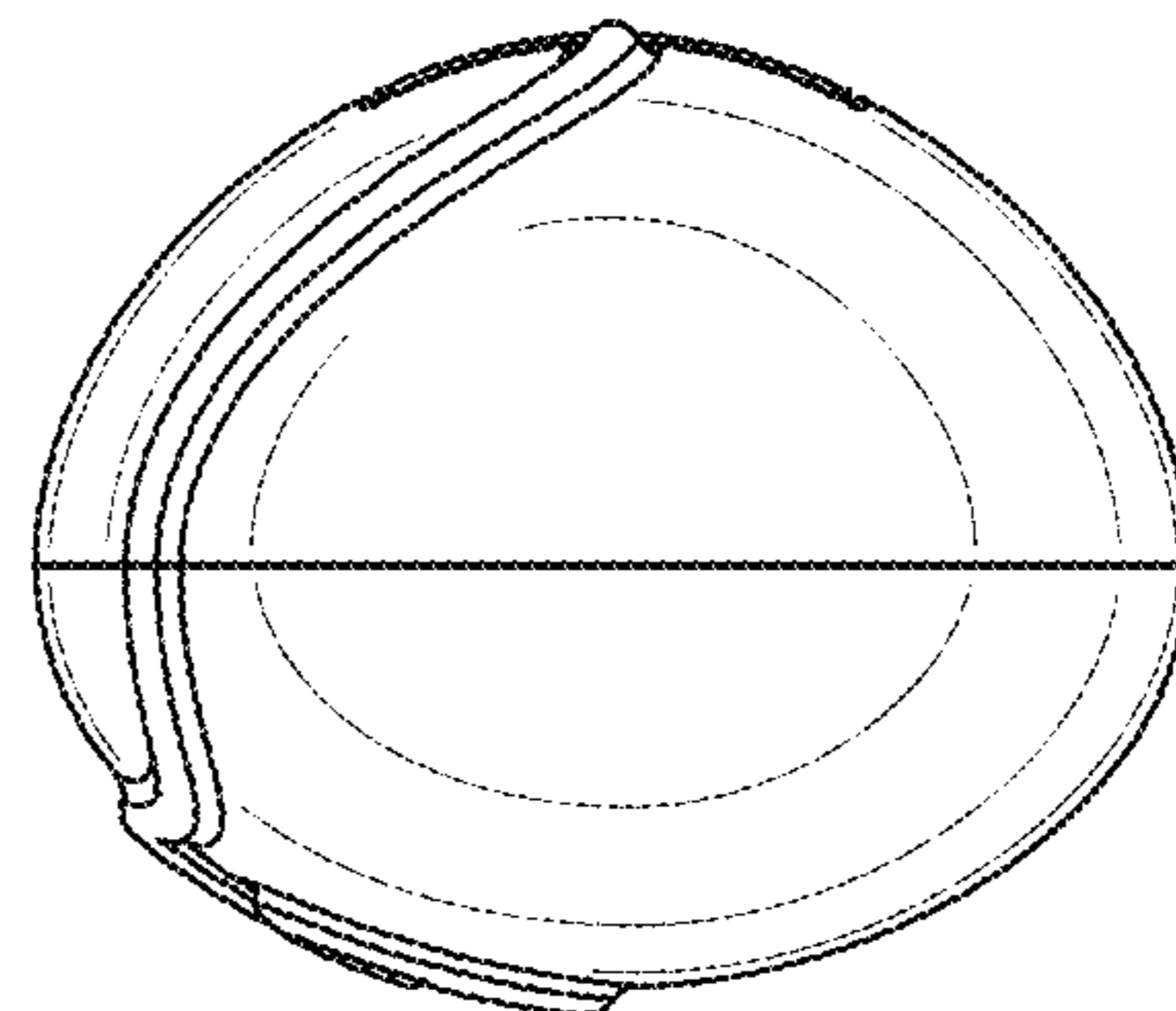


FIG. 7