



US00D848646S

(12) **United States Design Patent** (10) **Patent No.:** **US D848,646 S**
Hilton et al. (45) **Date of Patent:** **** May 14, 2019**

(54) **VEHICLE LIGHT**

D560,291 S * 1/2008 Koyama D26/28
D561,358 S * 2/2008 Tachibana D26/28
D726,353 S * 4/2015 Yagihashi D26/28

(71) Applicant: **NIO NEXTEV LIMITED**, Hong Kong (HK)

* cited by examiner

(72) Inventors: **David Hilton**, Hong Kong (HK); **Ben Payne**, Hong Kong (HK)

Primary Examiner — Marcus A Jackson

(74) *Attorney, Agent, or Firm* — Hogan Lovells US LLP

(**) Term: **15 Years**

(21) Appl. No.: **29/591,720**

(57) **CLAIM**

The ornamental design for vehicle light, as shown and described.

(22) Filed: **Jan. 23, 2017**

(30) **Foreign Application Priority Data**

DESCRIPTION

Jul. 29, 2016 (EM) 003324557

The patent or application file contains at least one drawing executed in color. Copies of this patent or patent application publication with color drawing(s) will be provided by the Office upon request and payment of the necessary fee.

(51) **LOC (11) Cl.** **26-06**

(52) **U.S. Cl.**

USPC **D26/28**

(58) **Field of Classification Search**

USPC D26/28-36

CPC F21S 48/00; F21S 48/10; F21S 48/115;

F21S 48/225; F21S 48/1233; F21S

48/1266; F21S 48/1388; F21S 48/2268;

F21V 21/04; B60Q 9/13; B60Q 9/135;

B60Q 9/1375

See application file for complete search history.

FIG. 1 is a front view thereof;
FIG. 2 is a left side view thereof;
FIG. 3 is a right side view thereof;
FIG. 4 is a top view thereof;
FIG. 5 is a bottom view thereof;
FIG. 6 is a perspective view thereof;
FIG. 7 is a perspective view thereof;
FIG. 8 is a front perspective view thereof;
FIG. 9 is a top perspective view thereof;
FIG. 10 is a perspective view thereof;
FIG. 11 is a perspective view thereof; and,
FIG. 12 is a perspective view thereof.

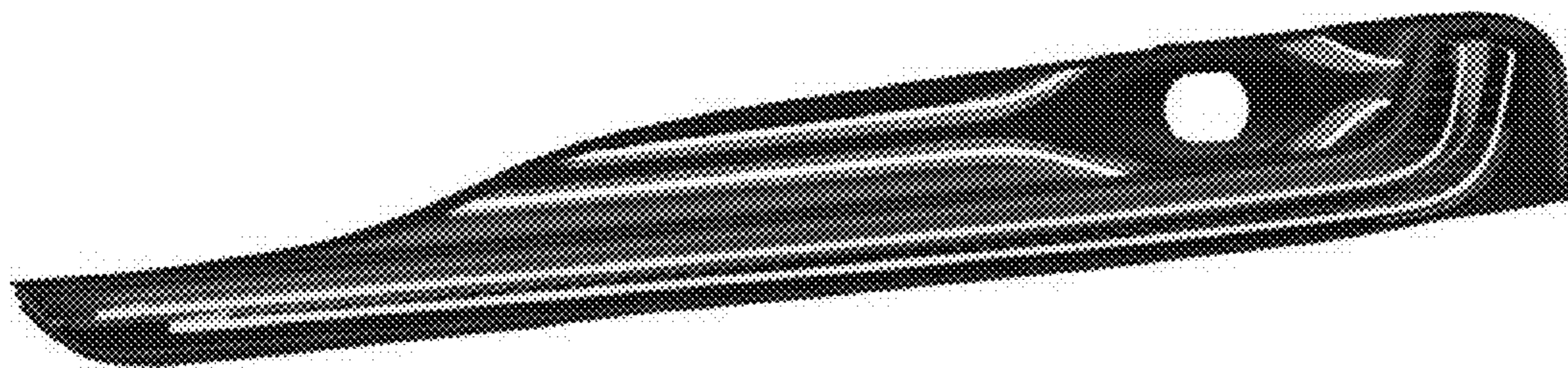
(56) **References Cited**

U.S. PATENT DOCUMENTS

D528,685 S * 9/2006 Yoshida D26/28

D544,114 S * 6/2007 Ohta D26/28

1 Claim, 8 Drawing Sheets
(4 of 8 Drawing Sheet(s) Filed in Color)



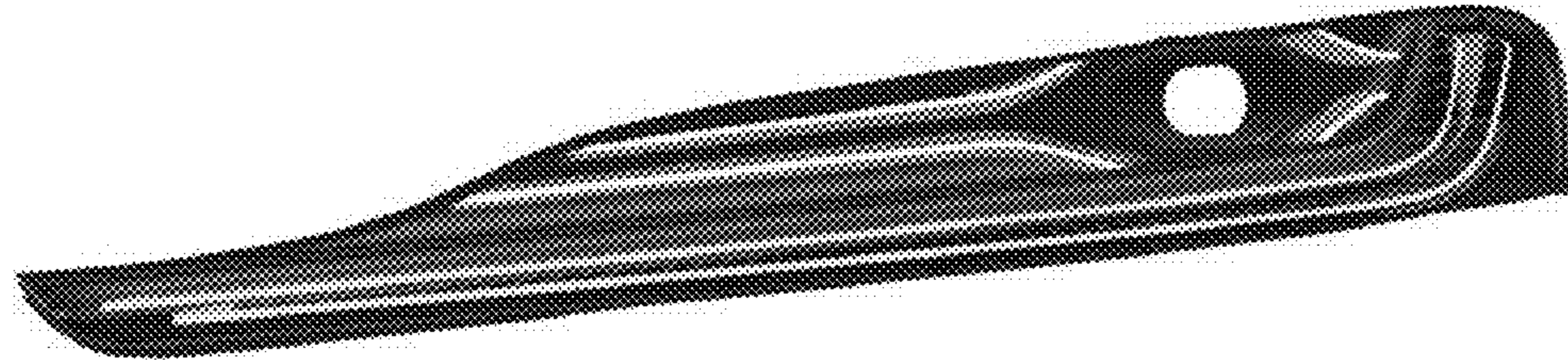


Fig. 1

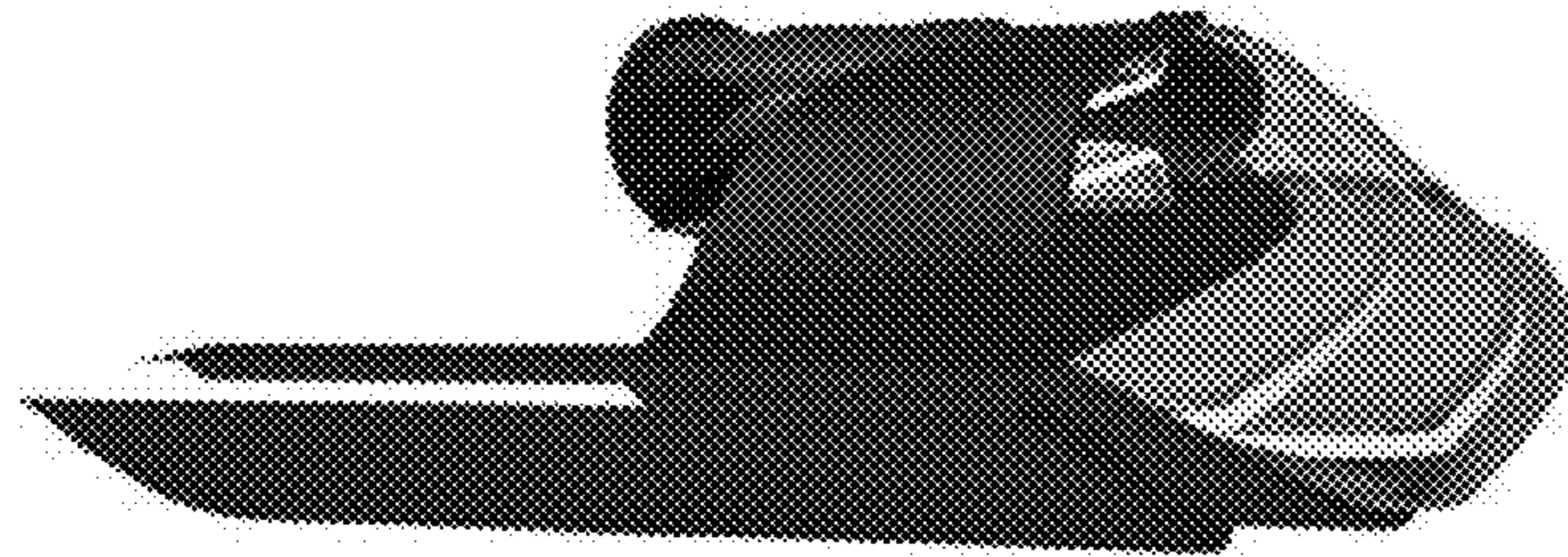


Fig. 2

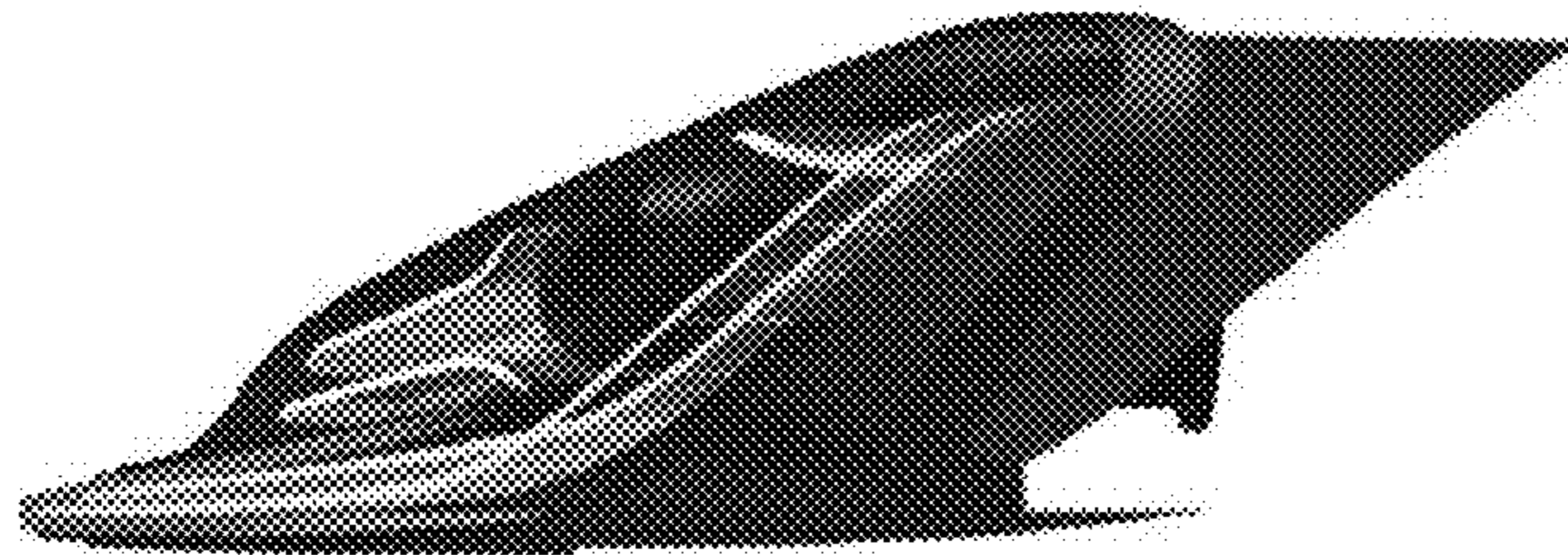


Fig. 3

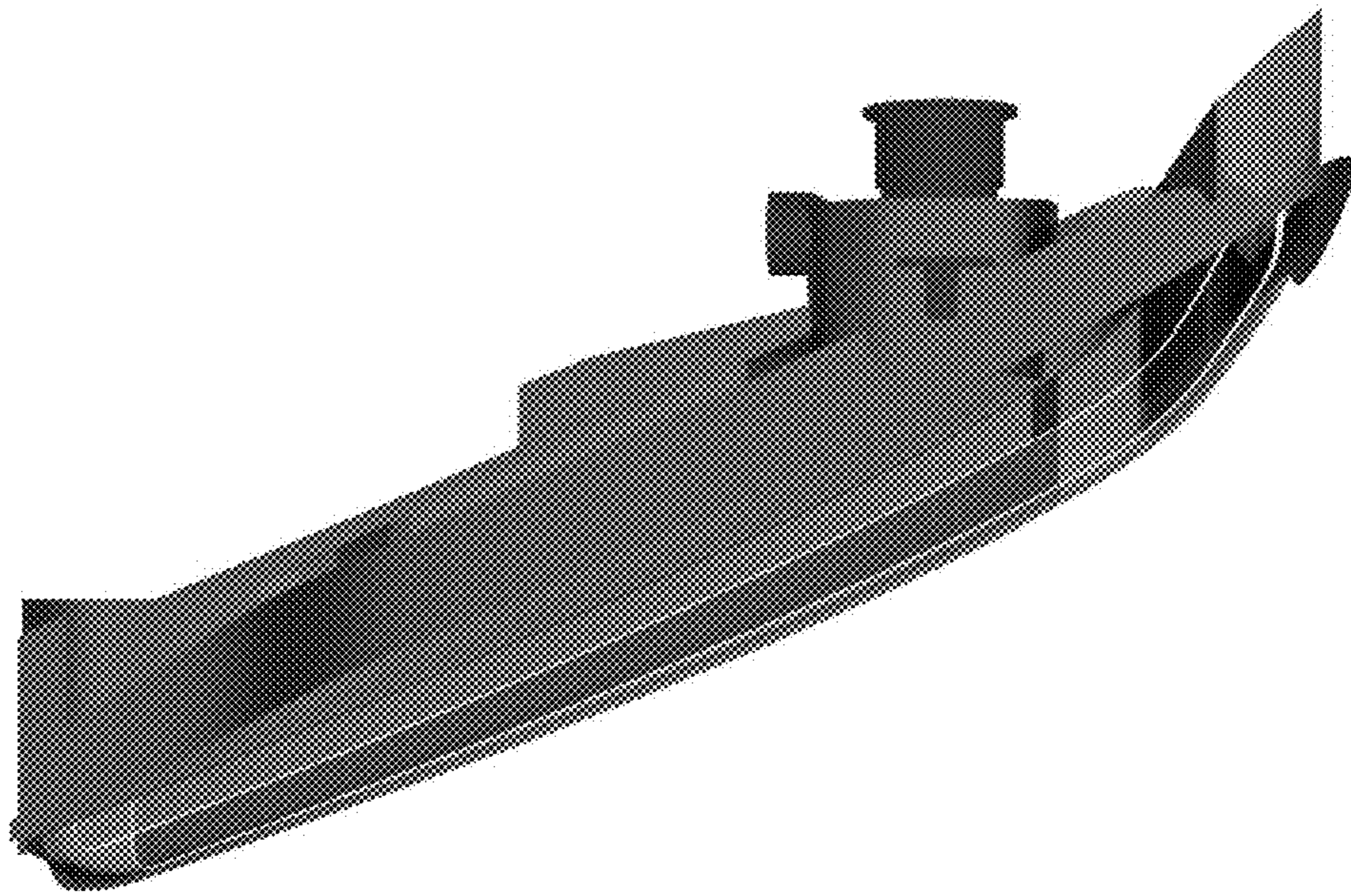


Fig. 4

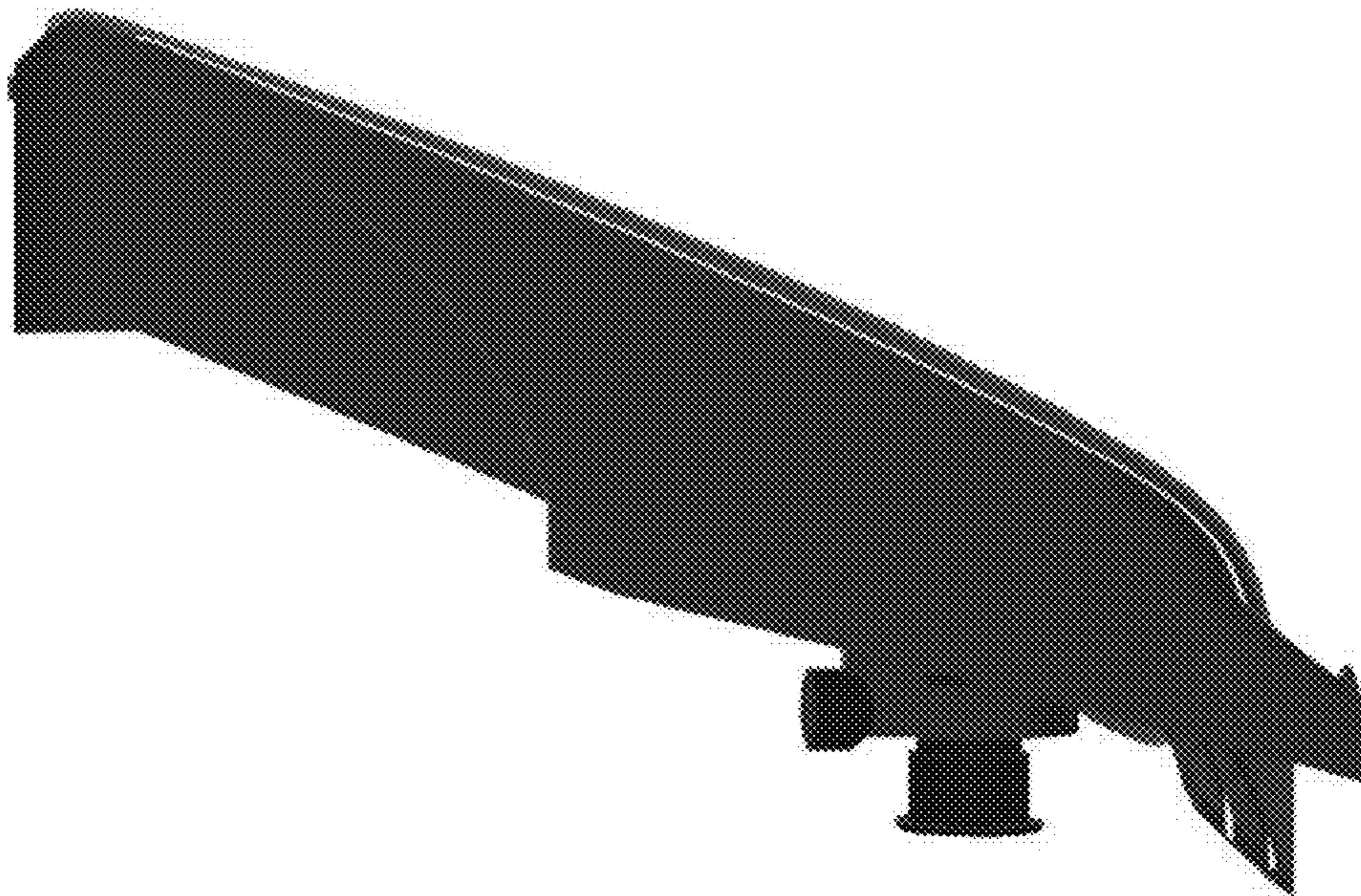


Fig. 5

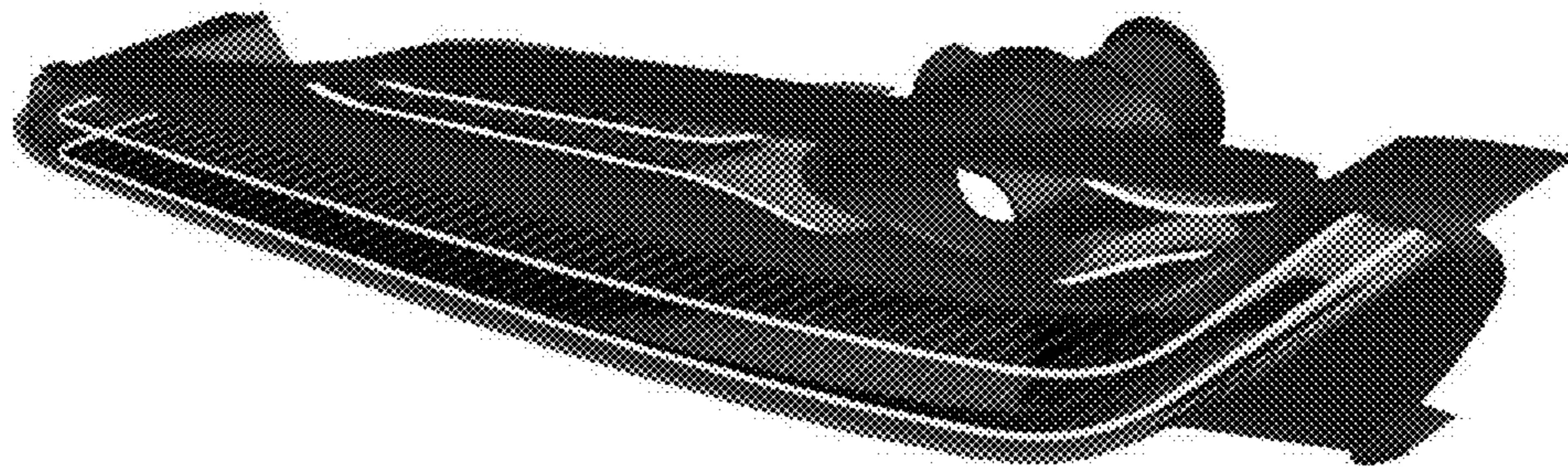


Fig. 6

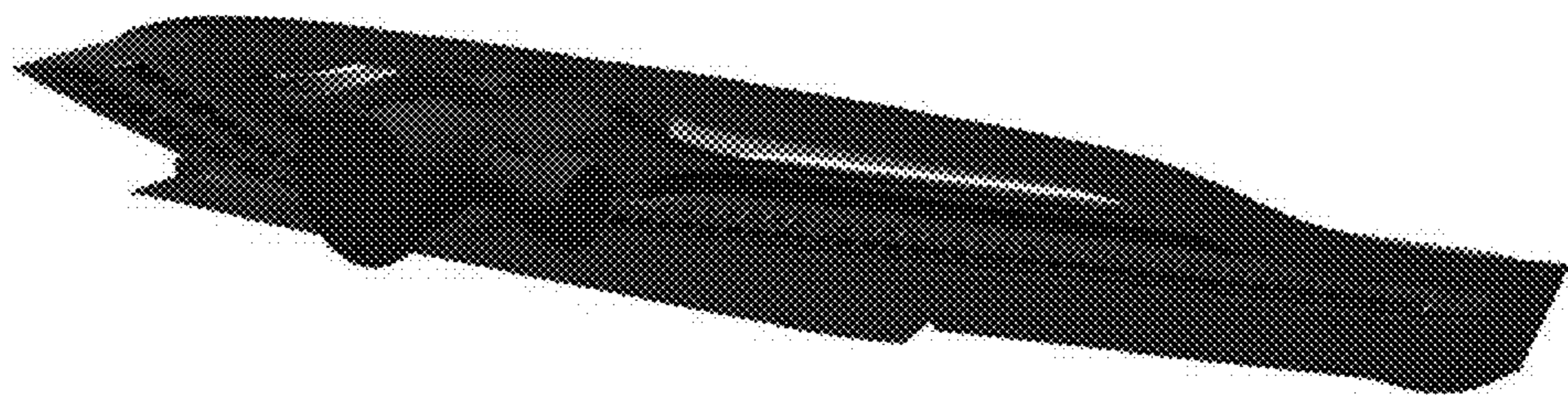


Fig. 7

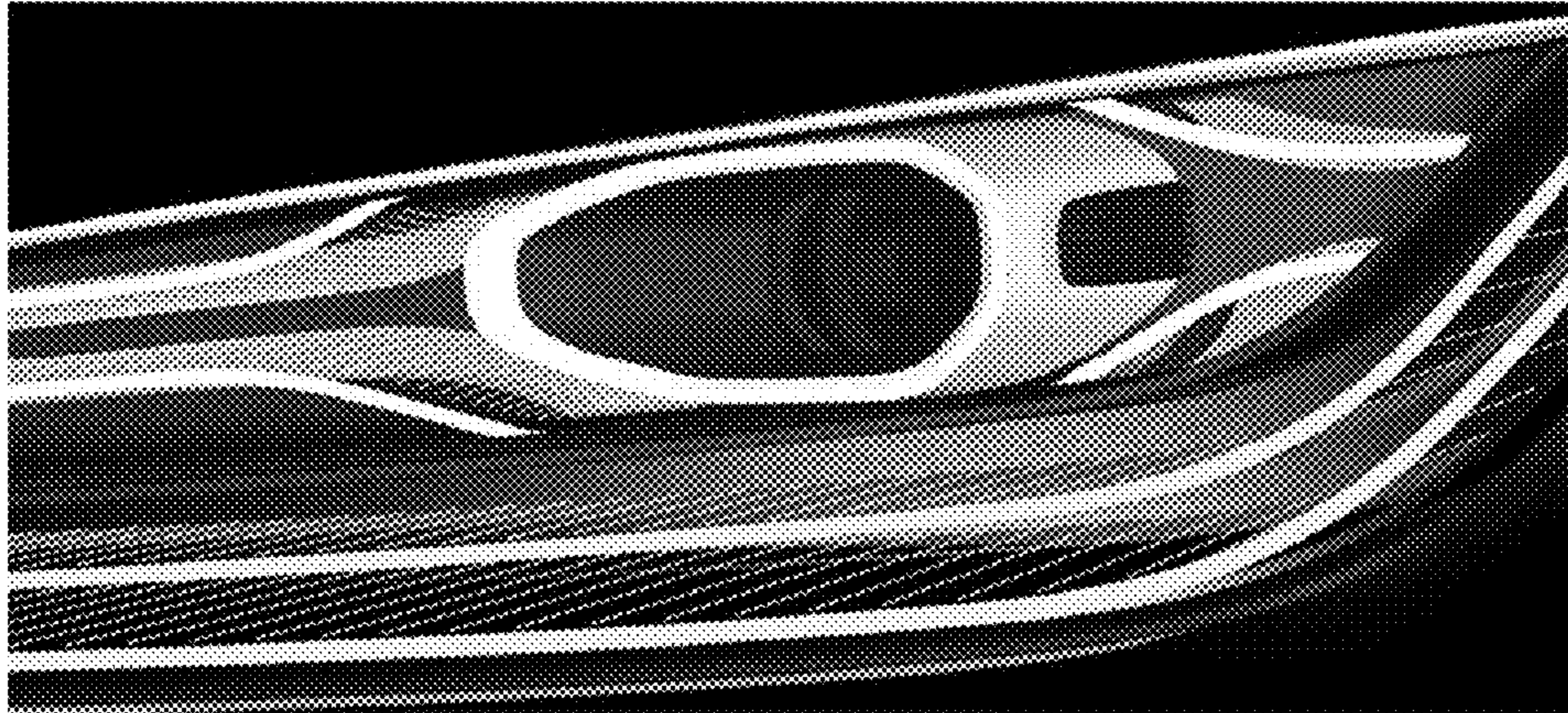


Fig. 8

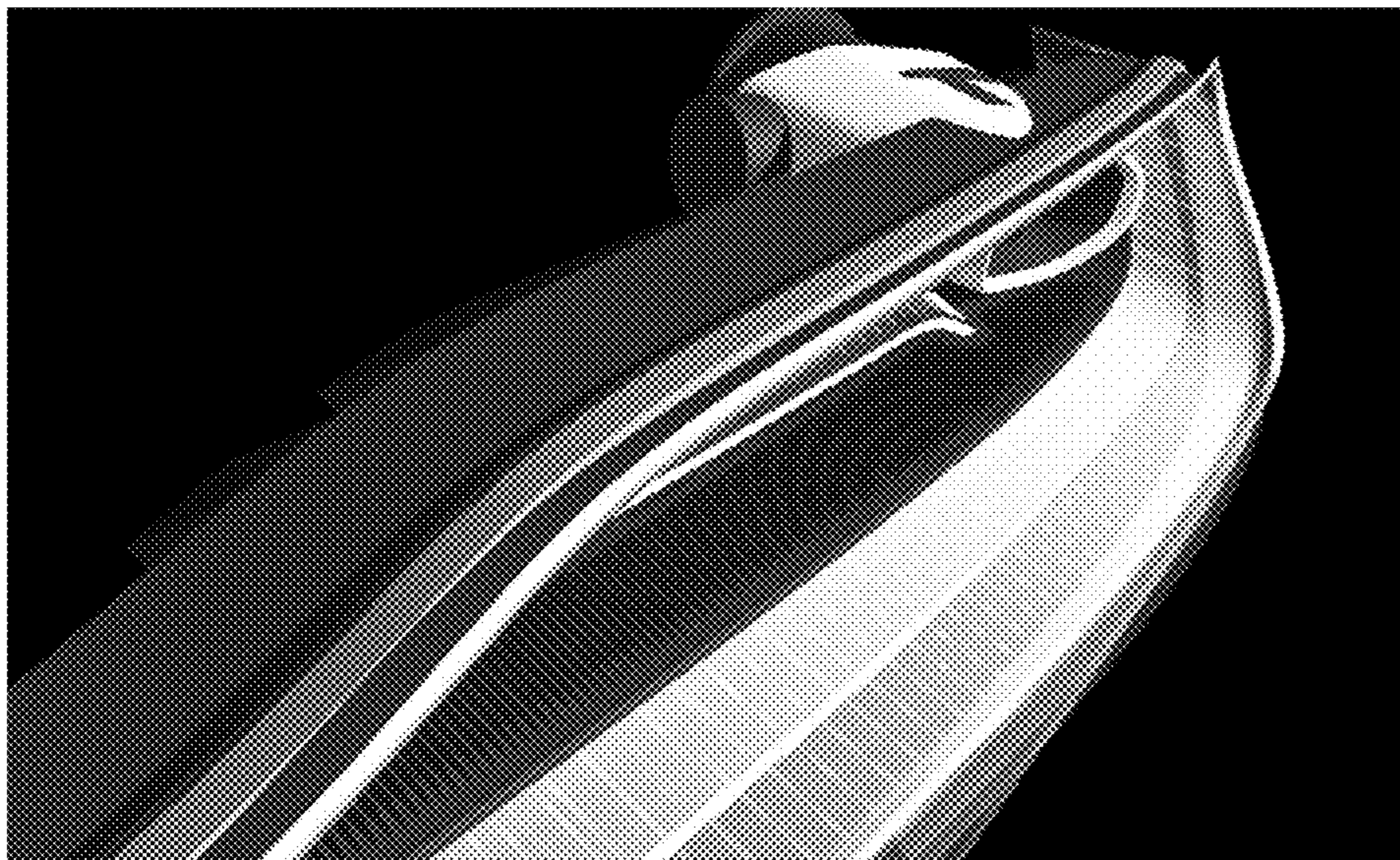


Fig. 9

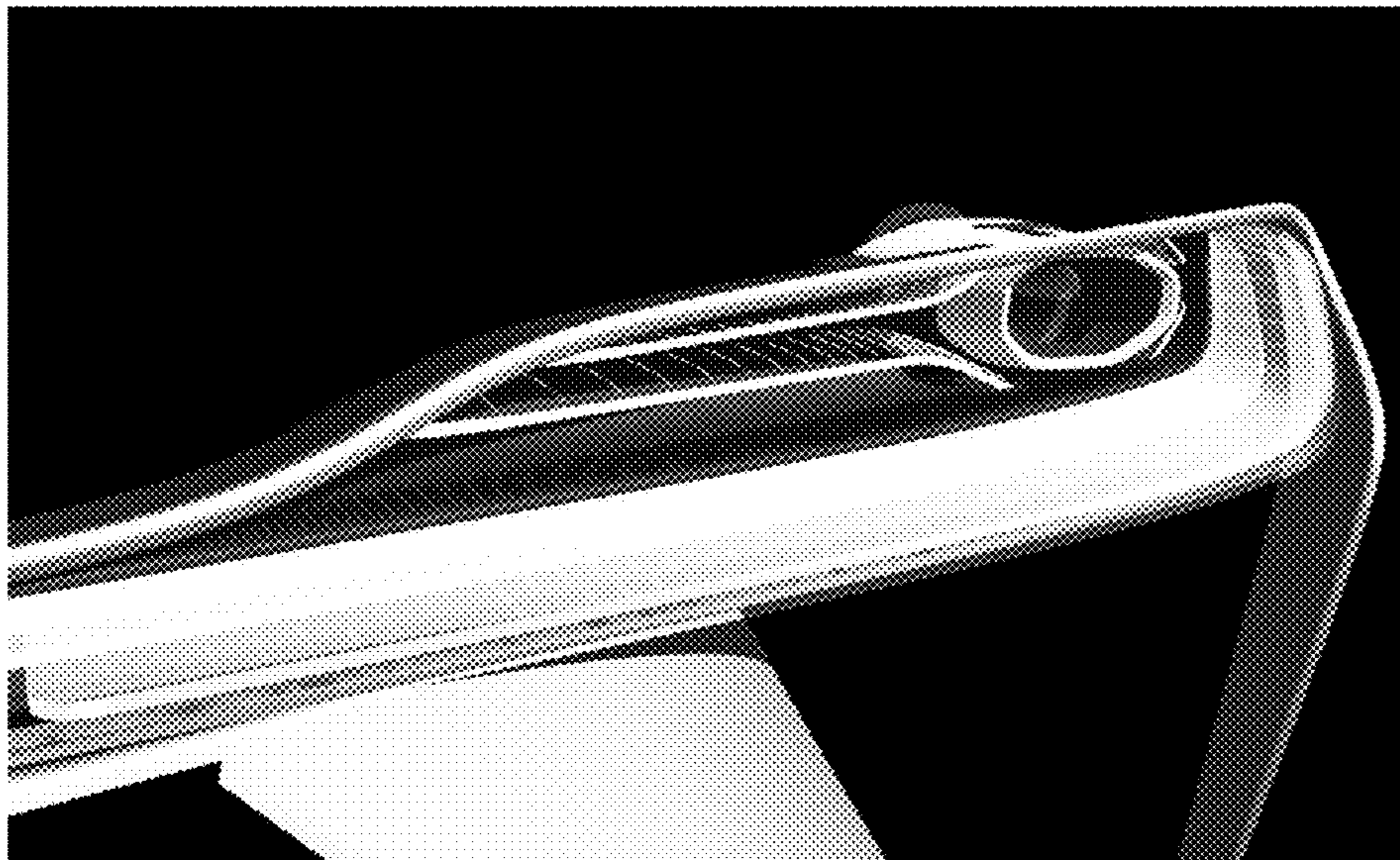


Fig. 10

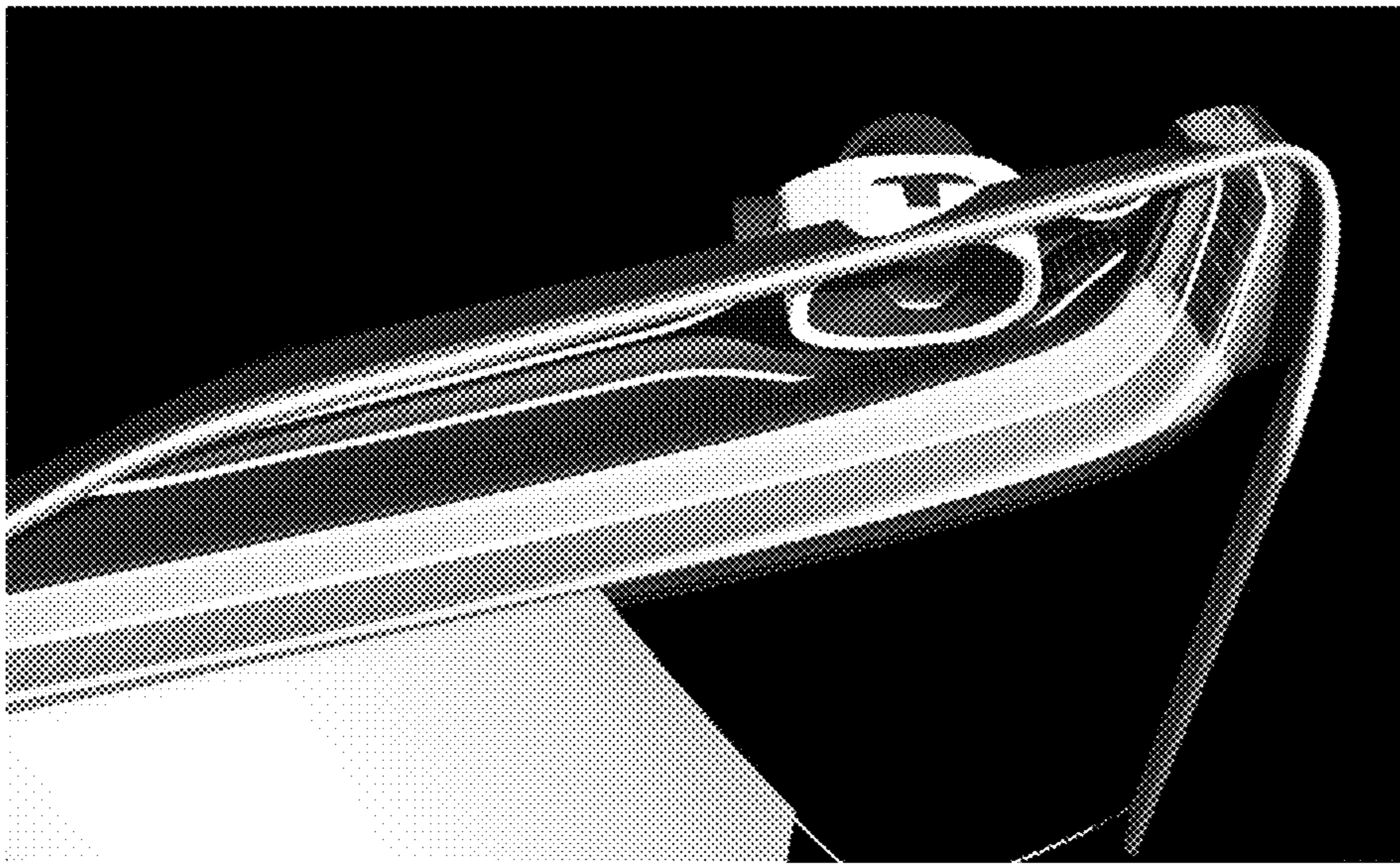


Fig. 11

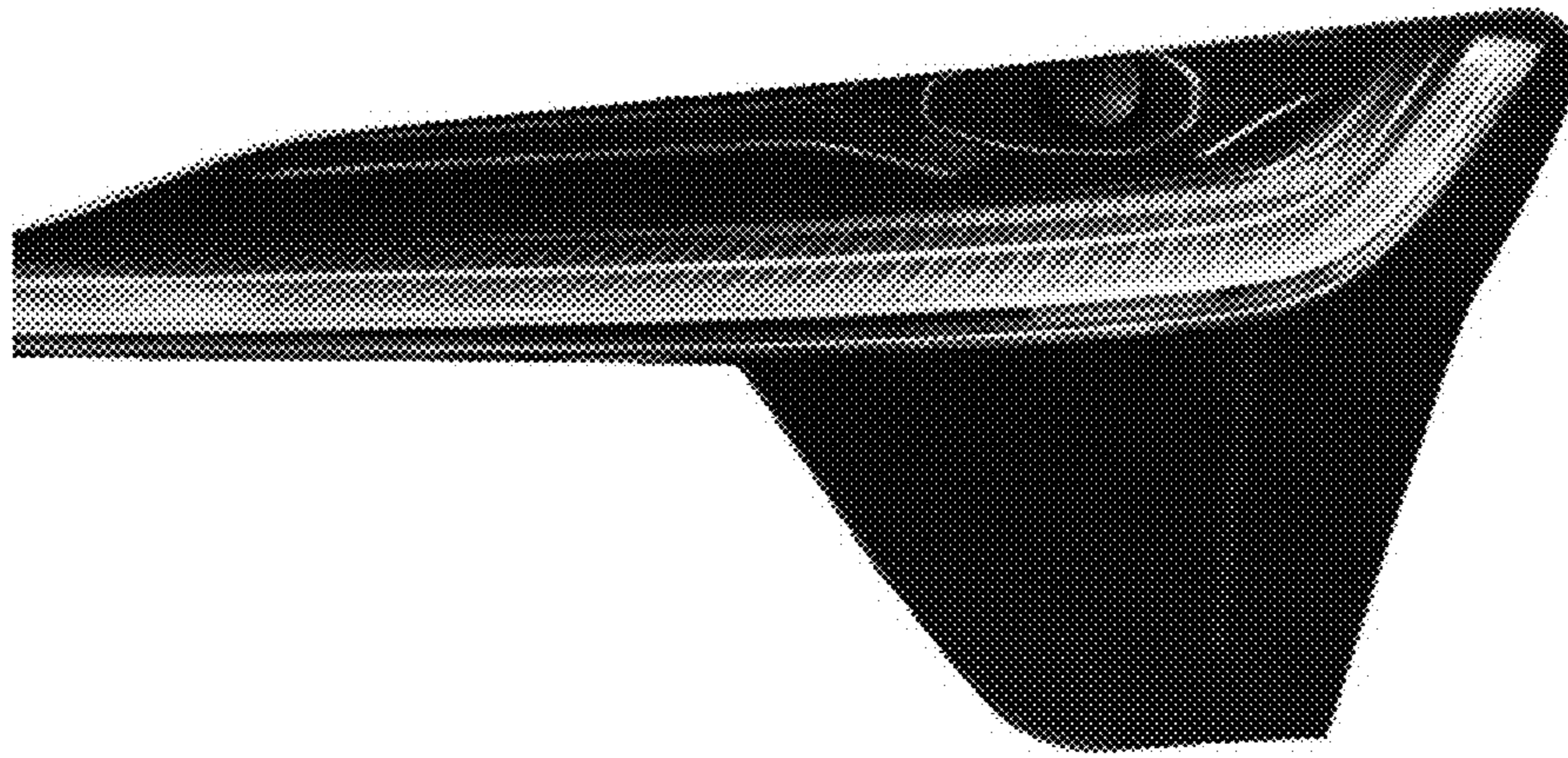


Fig. 12