



US00D848645S

(12) **United States Design Patent** (10) **Patent No.:** **US D848,645 S**  
**Thomas** (45) **Date of Patent:** **\*\* May 14, 2019**

(54) **HEAD LAMP**

(71) Applicant: **Jaguar Land Rover Limited**, Whitley, Coventry (GB)

(72) Inventor: **Gareth Thomas**, Coventry (GB)

(73) Assignee: **Jaguar Land Rover Limited**, Whitley, Coventry (GB)

(\*\*) Term: **15 Years**

(21) Appl. No.: **29/591,420**

(22) Filed: **Jan. 19, 2017**

(30) **Foreign Application Priority Data**

Jul. 20, 2016 (EM) ..... 003313444-0002  
Aug. 18, 2016 (EM) ..... 003345610-0003

(Continued)

(51) **LOC (11) Cl.** ..... **26-06**

(52) **U.S. Cl.**  
USPC ..... **D26/28**

(58) **Field of Classification Search**  
USPC ..... D26/28-36

(Continued)

(56) **References Cited**

U.S. PATENT DOCUMENTS

D528,685 S \* 9/2006 Yoshida ..... D26/28  
D544,114 S \* 6/2007 Ohta ..... D26/28

(Continued)

*Primary Examiner* — Marcus A Jackson

(74) *Attorney, Agent, or Firm* — Wood Herron & Evans LLP

(57) **CLAIM**

The ornamental design for a head lamp, as shown and described.

**DESCRIPTION**

FIG. 1 is a front view of a head lamp for a vehicle according to the present invention.

FIG. 2 is a front left perspective view thereof.

FIG. 3 is a left side view thereof.

FIG. 4 is a rear left perspective view thereof.

FIG. 5 is a front right perspective view thereof.

FIG. 6 is a top view thereof.

The portions of the head lamp of FIGS. 1-6 shown in de-emphasized and half-tone portions are intended to illustrate environmental structures. These portions form no part of the claimed invention. More particularly, in FIGS. 1-6, the head lamp of the present invention is shown within the broken lines, and any elements shown outside of the broken lines form no part of the claimed invention, but are instead included to show environmental aspects of the claimed invention.

FIG. 7 is a front view of the head lamp shown in FIG. 1, with the head lamp mounted on the left front of a vehicle shown in de-emphasized and half-tone portions so as to illustrate environmental structures for the vehicle front. The de-emphasized and half tone portions form no part of the claimed invention. More particularly, in FIG. 7, the head lamp of the present invention is shown within the broken lines on the left side, and any elements shown outside of these broken lines form no part of the claimed invention, but are instead included to show environmental aspects of the claimed invention. There is also a mirror image head lamp shown on the right front of the vehicle.

FIG. 8 is a front view of a head lamp for a vehicle according to an alternative embodiment of the present invention.

FIG. 9 is a front left perspective view thereof.

FIG. 10 is a left side view thereof.

FIG. 11 is a rear left perspective view thereof.

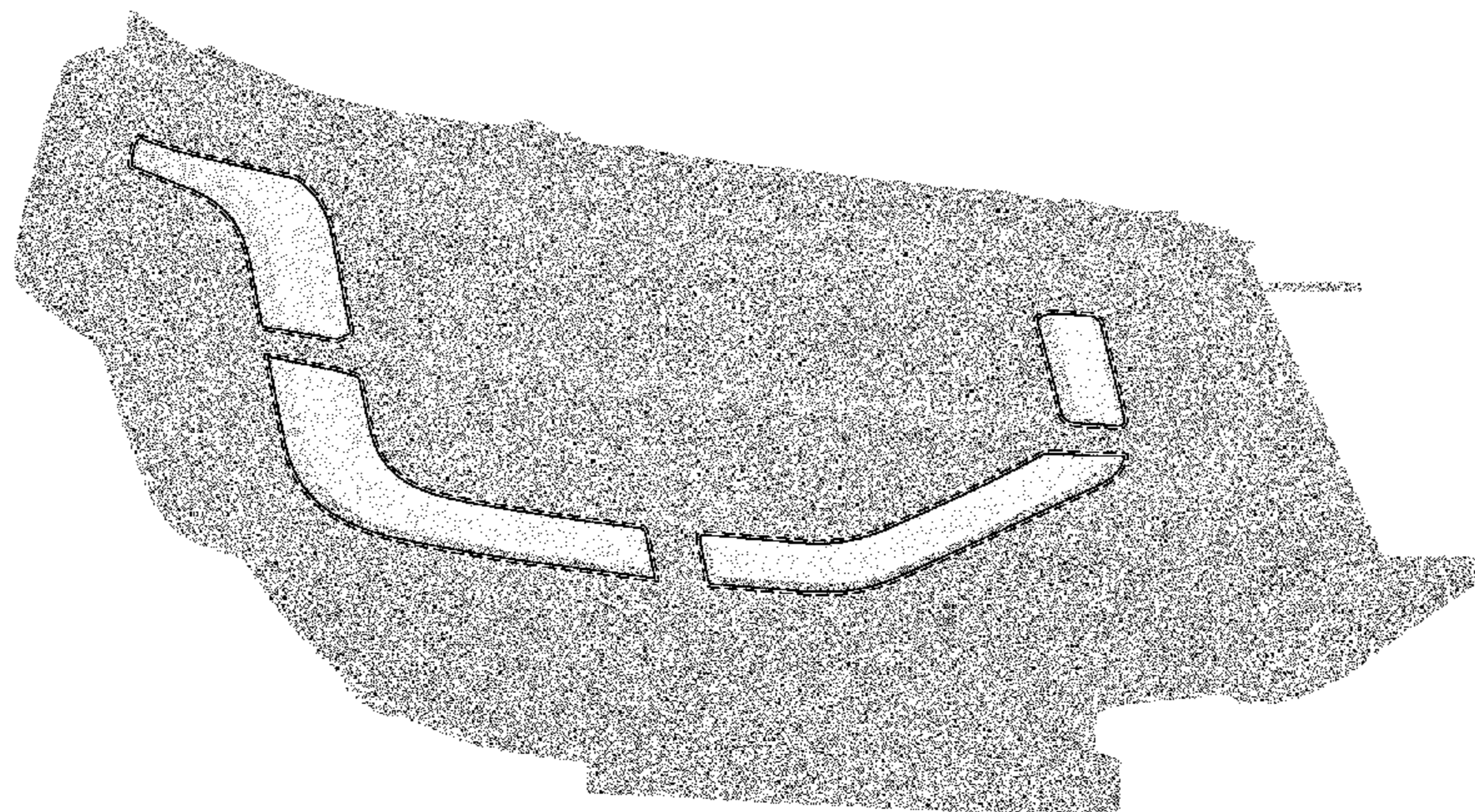
FIG. 12 is a front right perspective view thereof.

FIG. 13 is a top view thereof; and,

FIG. 14 is a front view thereof.

The broken lines which show portions of the head lamp and vehicle front in FIGS. 8-14 are included for the purpose of illustrating environment and form no part of the claimed design.

**1 Claim, 12 Drawing Sheets**



(30) **Foreign Application Priority Data**

Dec. 1, 2016 (EM) ..... 003494392-0001  
Dec. 1, 2016 (EM) ..... 003494392-0004

(58) **Field of Classification Search**

CPC ..... F21S 48/00; F21S 48/10; F21S 48/115;  
F21S 48/225; F21S 48/1233; F21S  
48/1266; F21S 48/1388; F21S 48/2268;  
F21V 21/04; B60Q 9/13; B60Q 9/135;  
B60Q 9/1375

See application file for complete search history.

(56) **References Cited**

U.S. PATENT DOCUMENTS

D560,291 S \* 1/2008 Koyama ..... D26/28  
D561,358 S \* 2/2008 Tachibana ..... D26/28  
D726,353 S \* 4/2015 Yagihashi ..... D26/28

\* cited by examiner



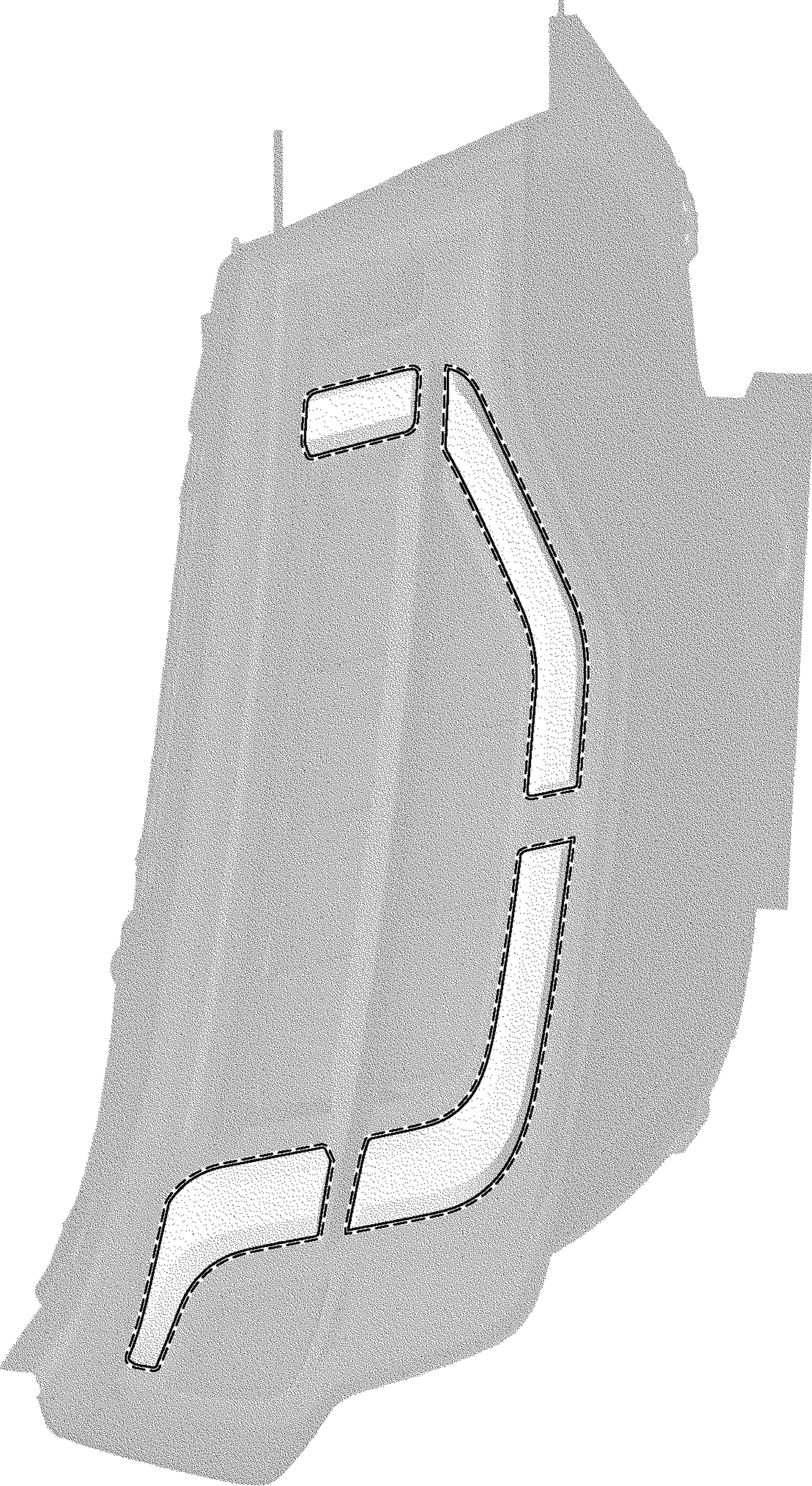


FIG. 1



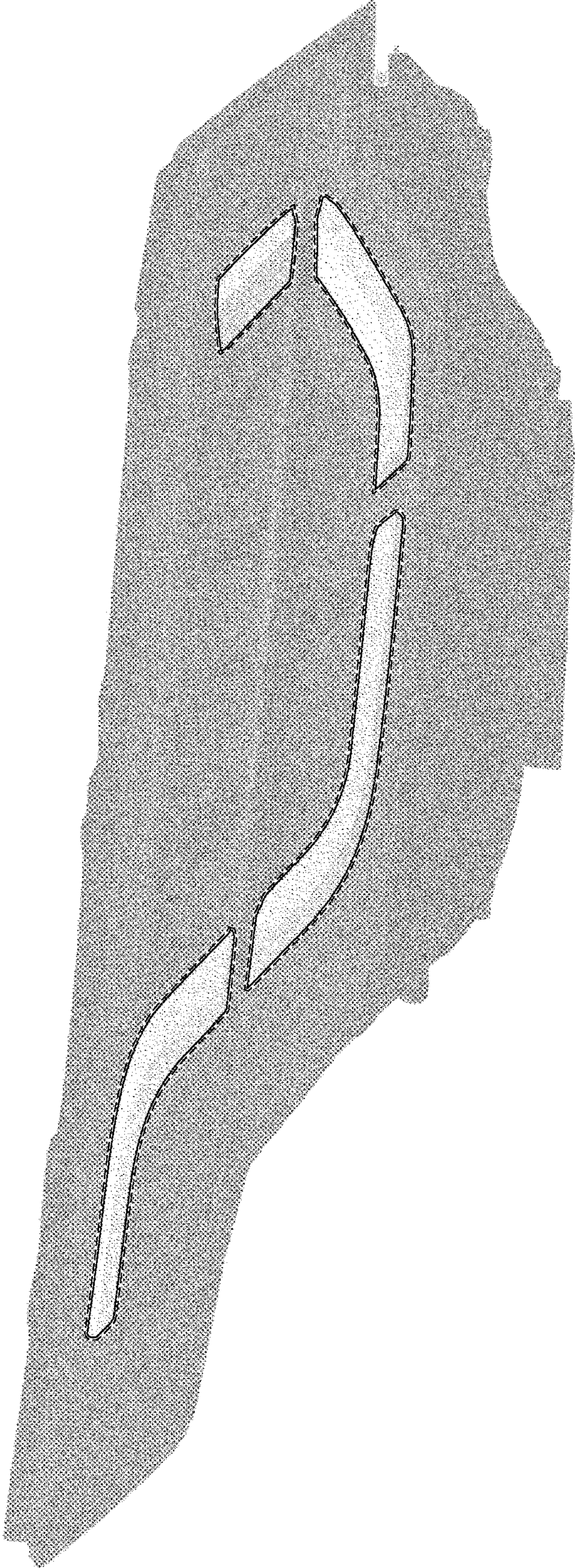


FIG. 2



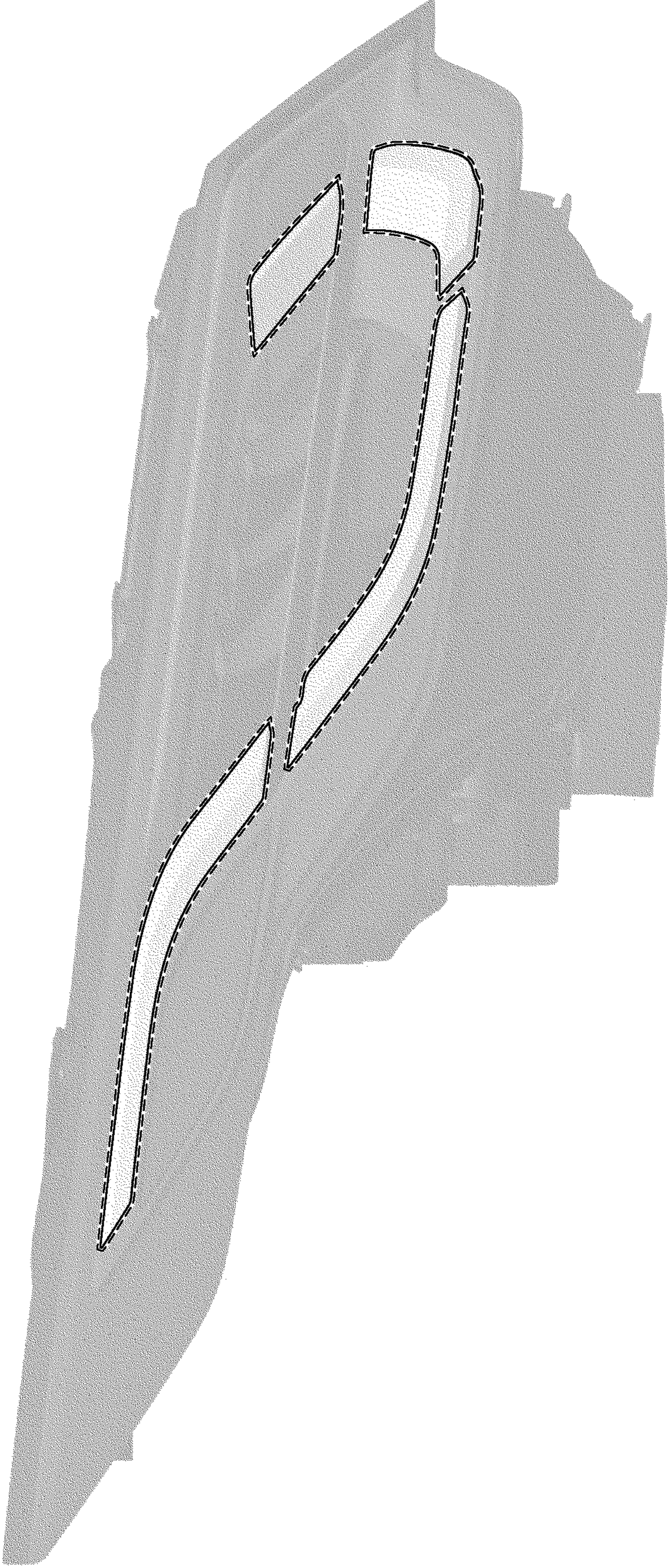


FIG. 3



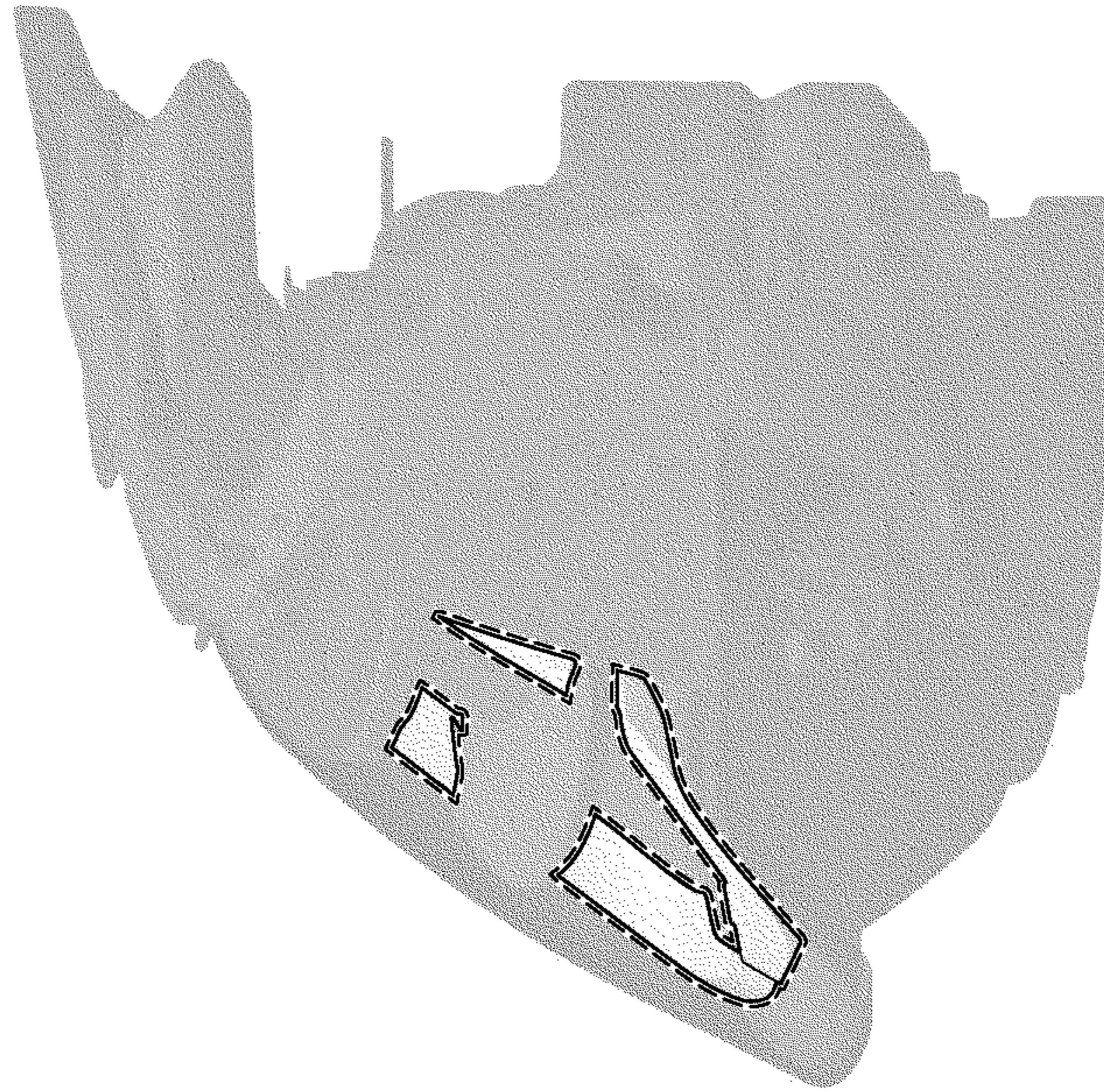


FIG. 5

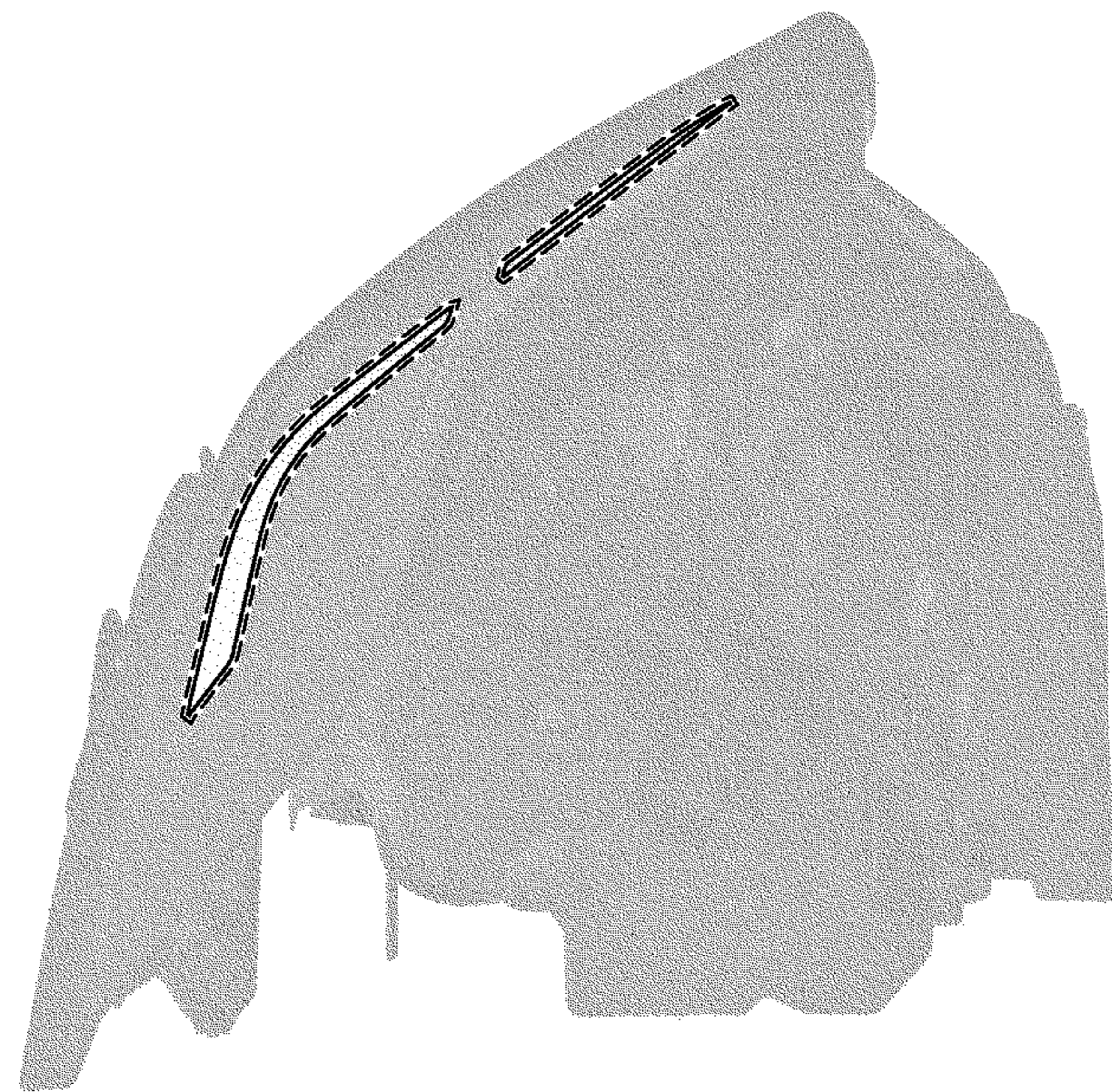


FIG. 4



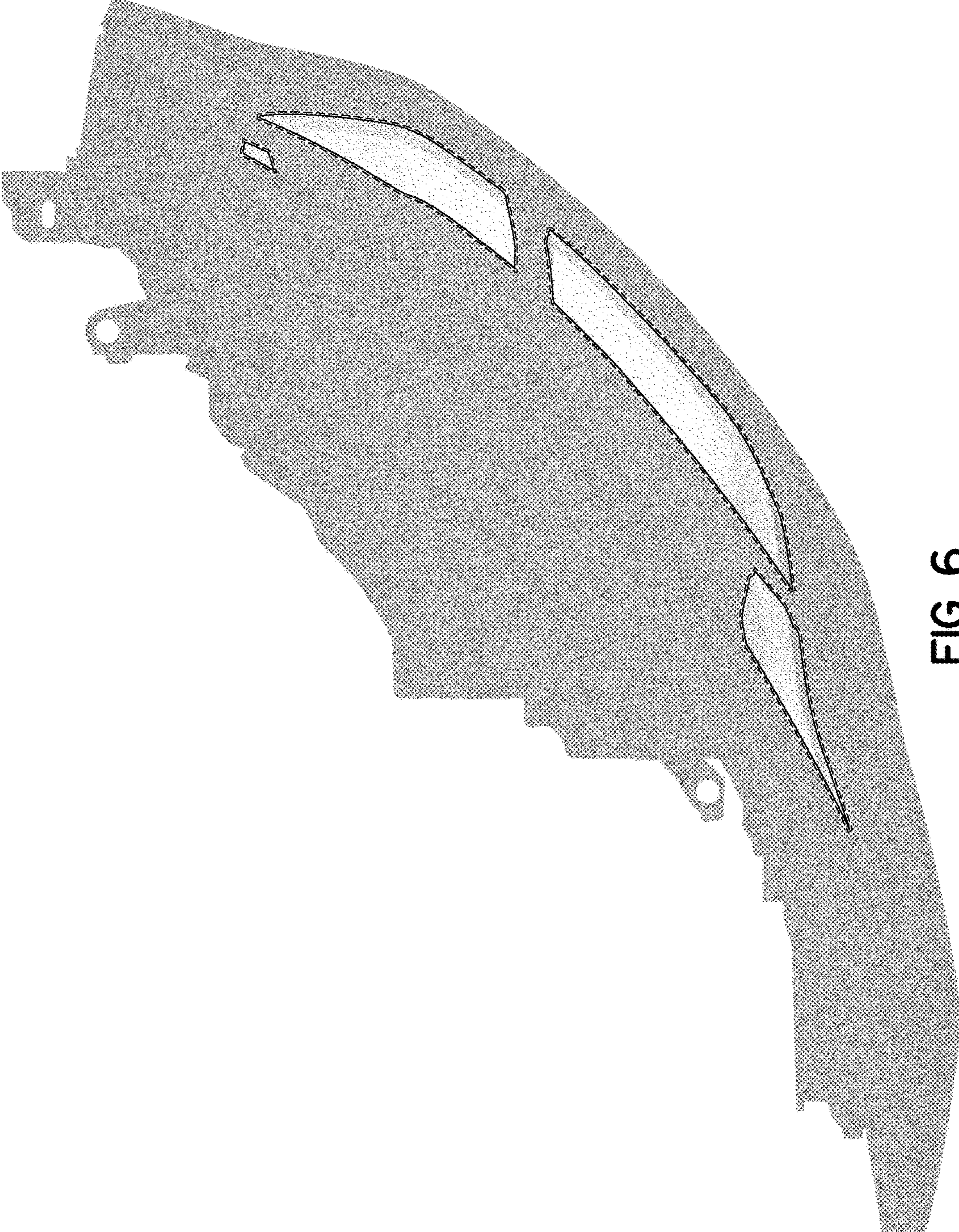


FIG. 6



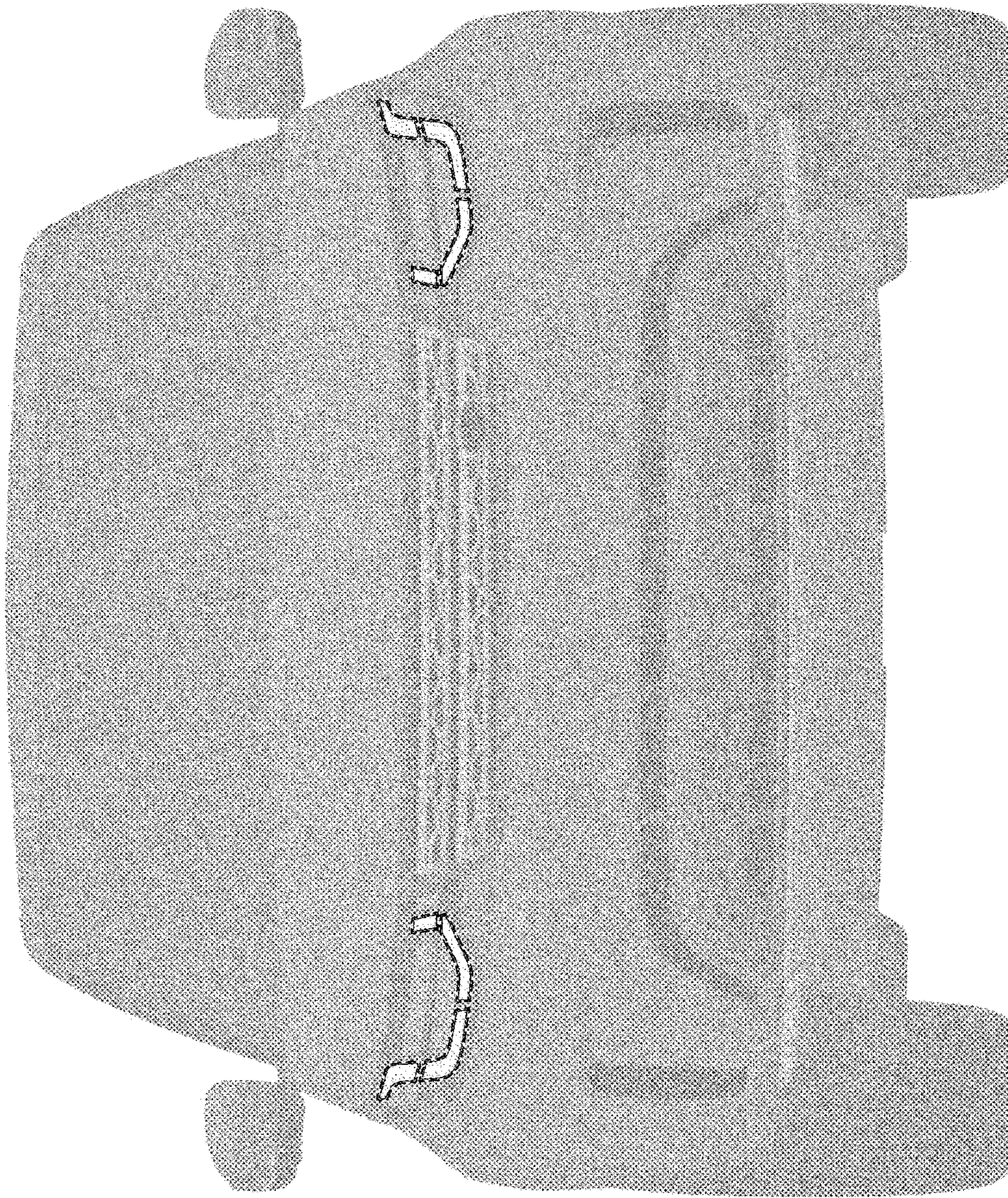


FIG. 7



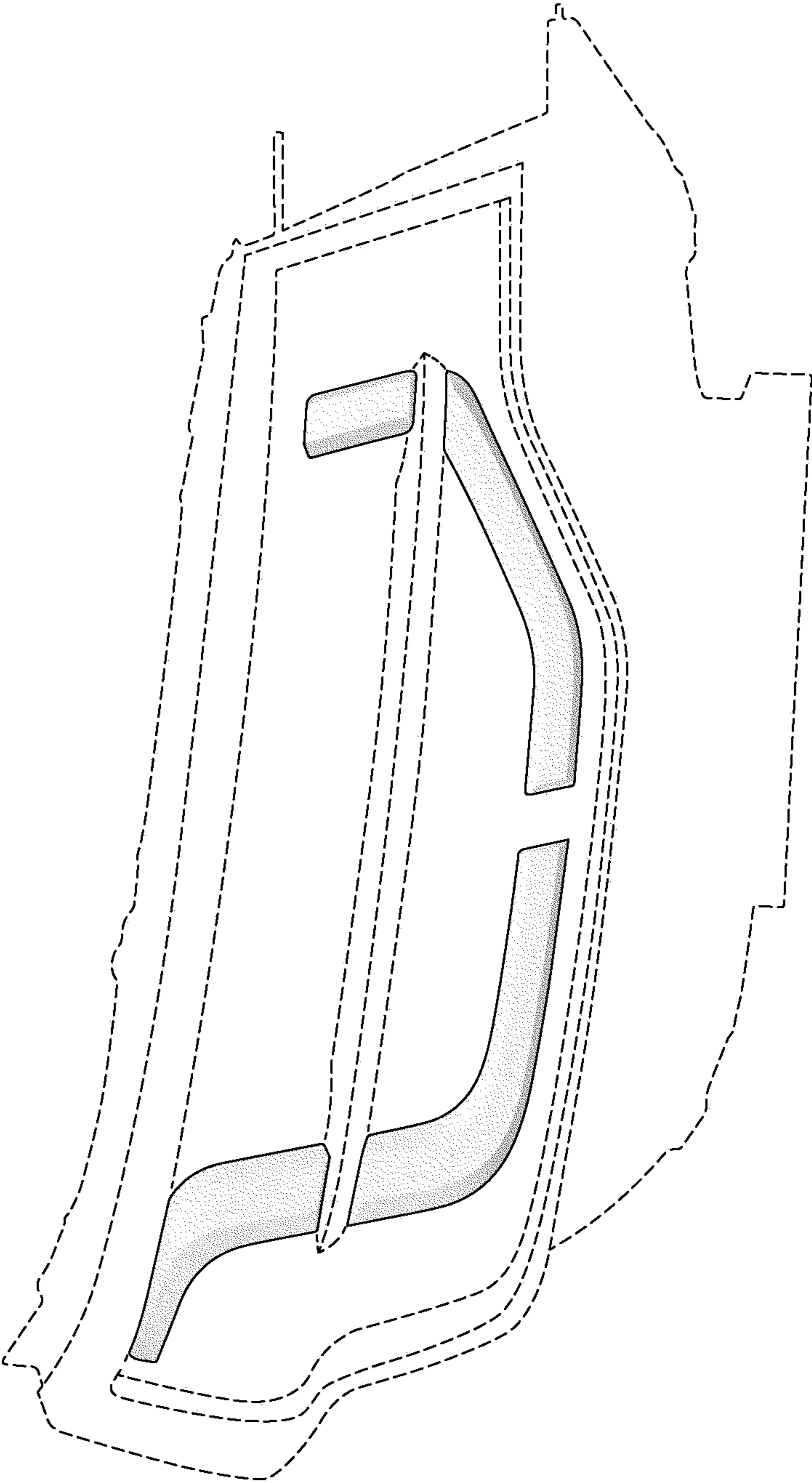


FIG. 8



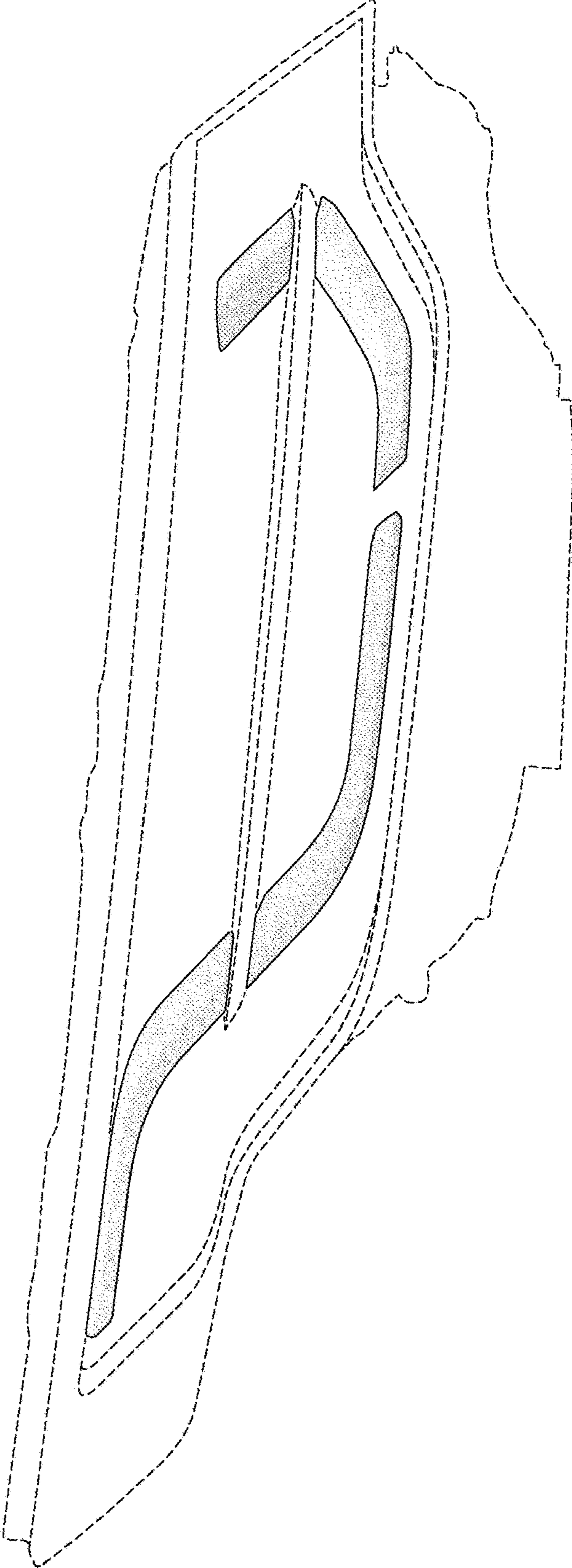


FIG. 9



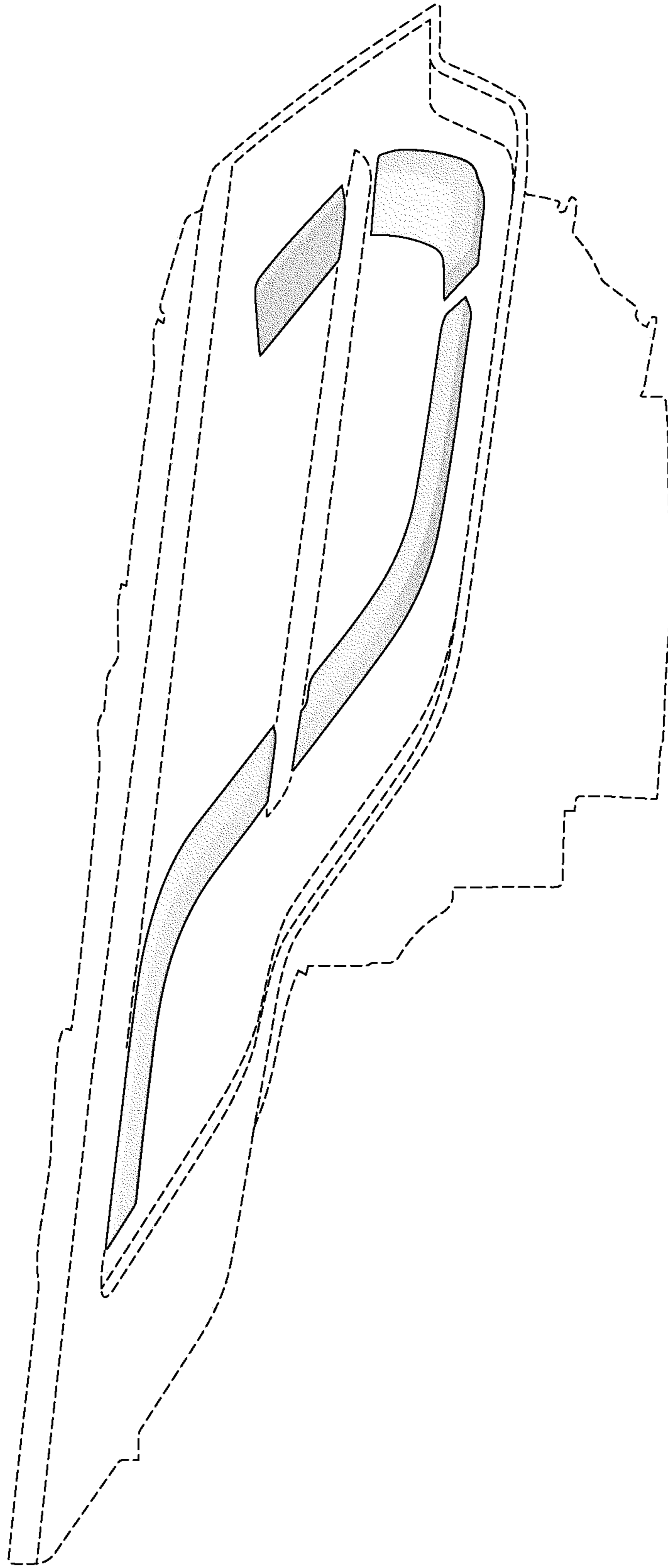


FIG. 10



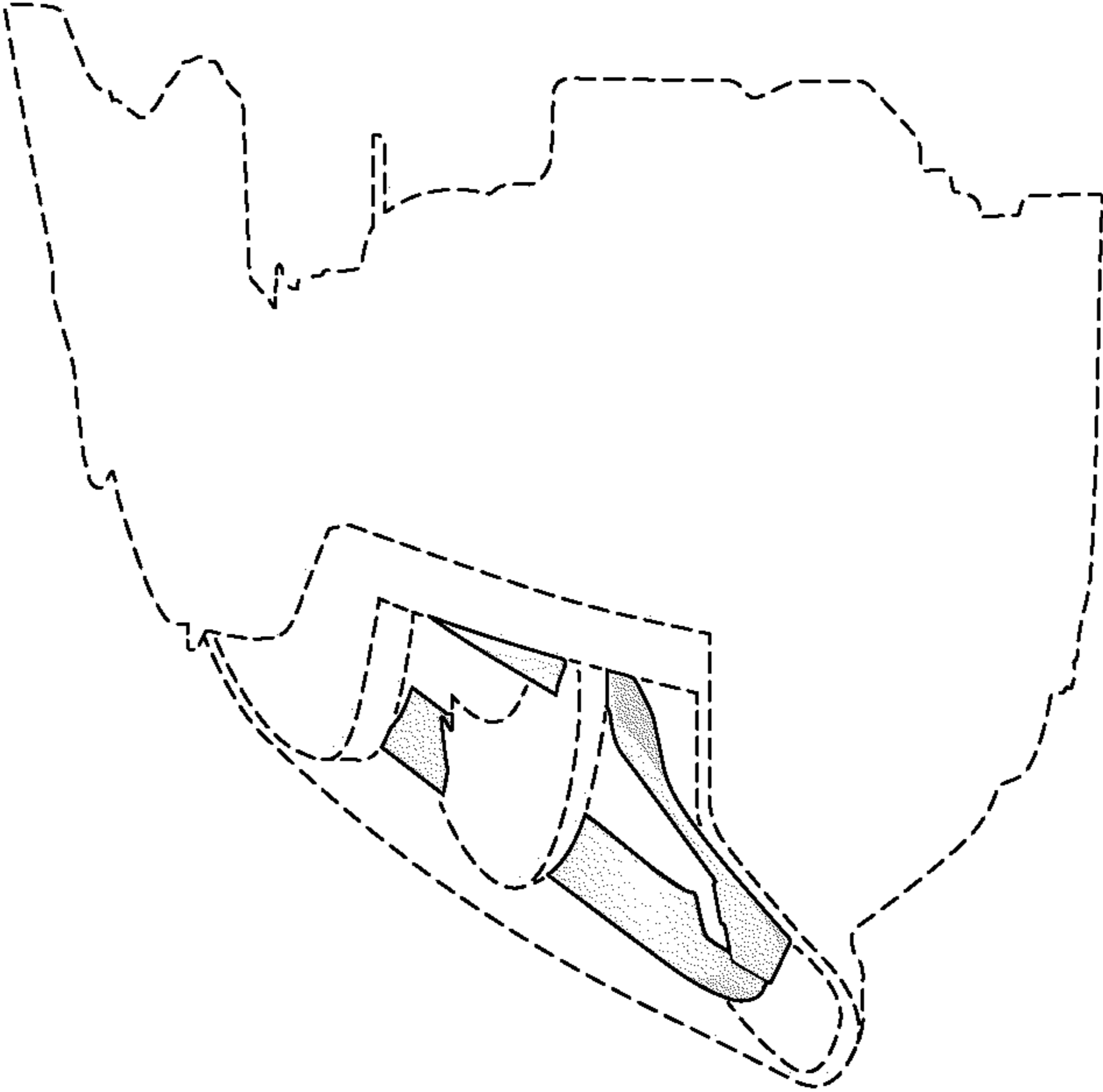


FIG. 12

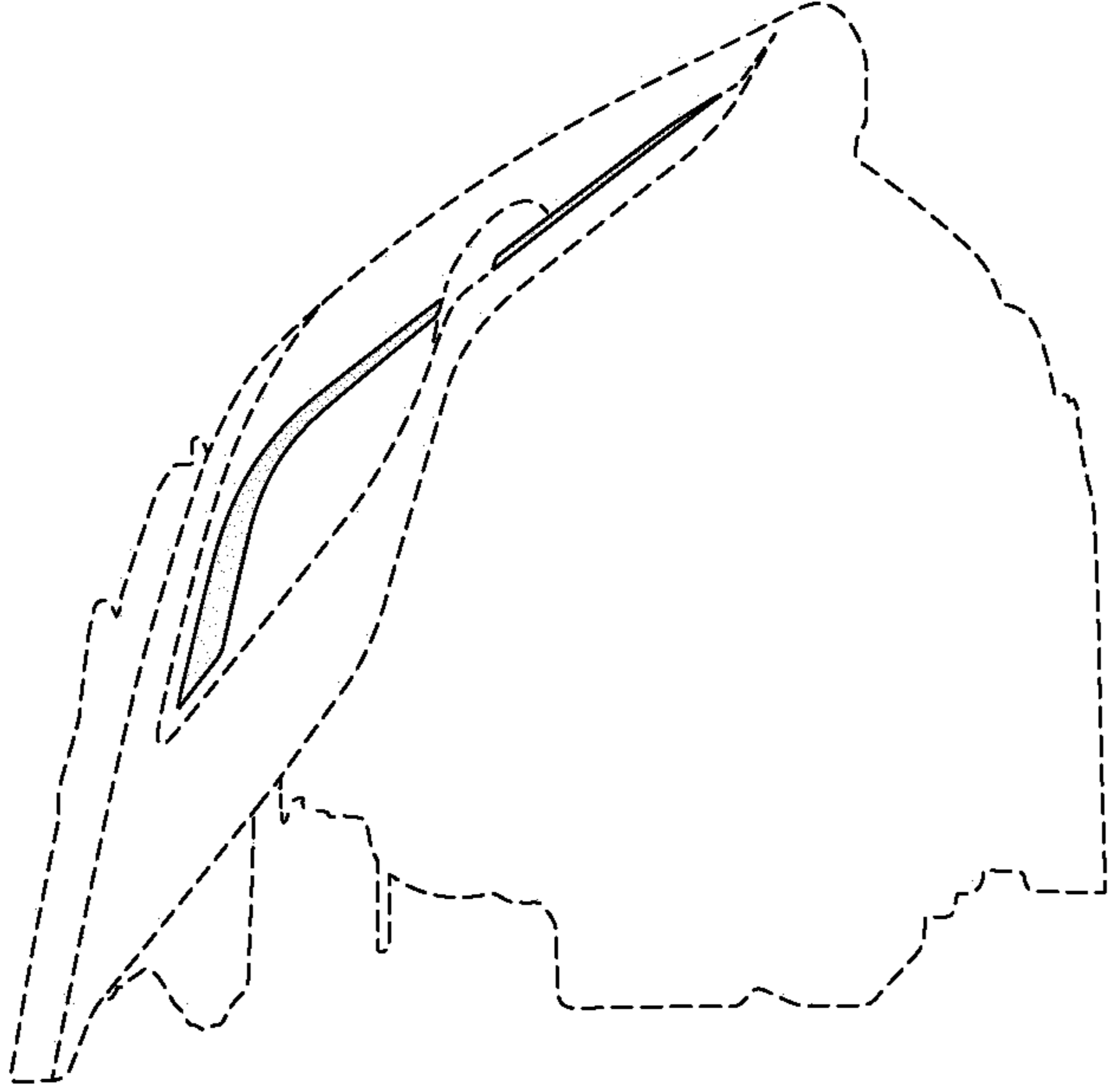


FIG. 11



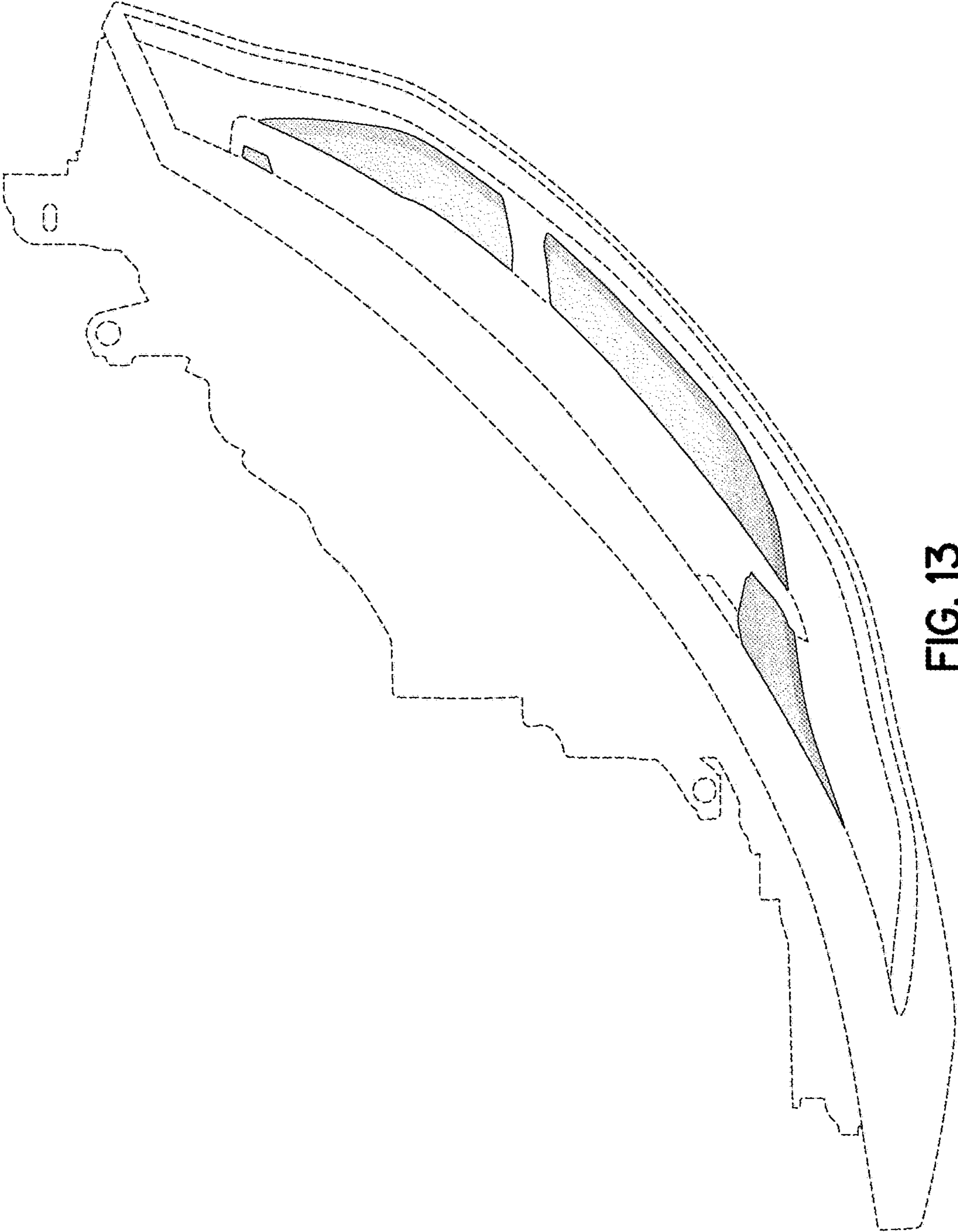


FIG. 13



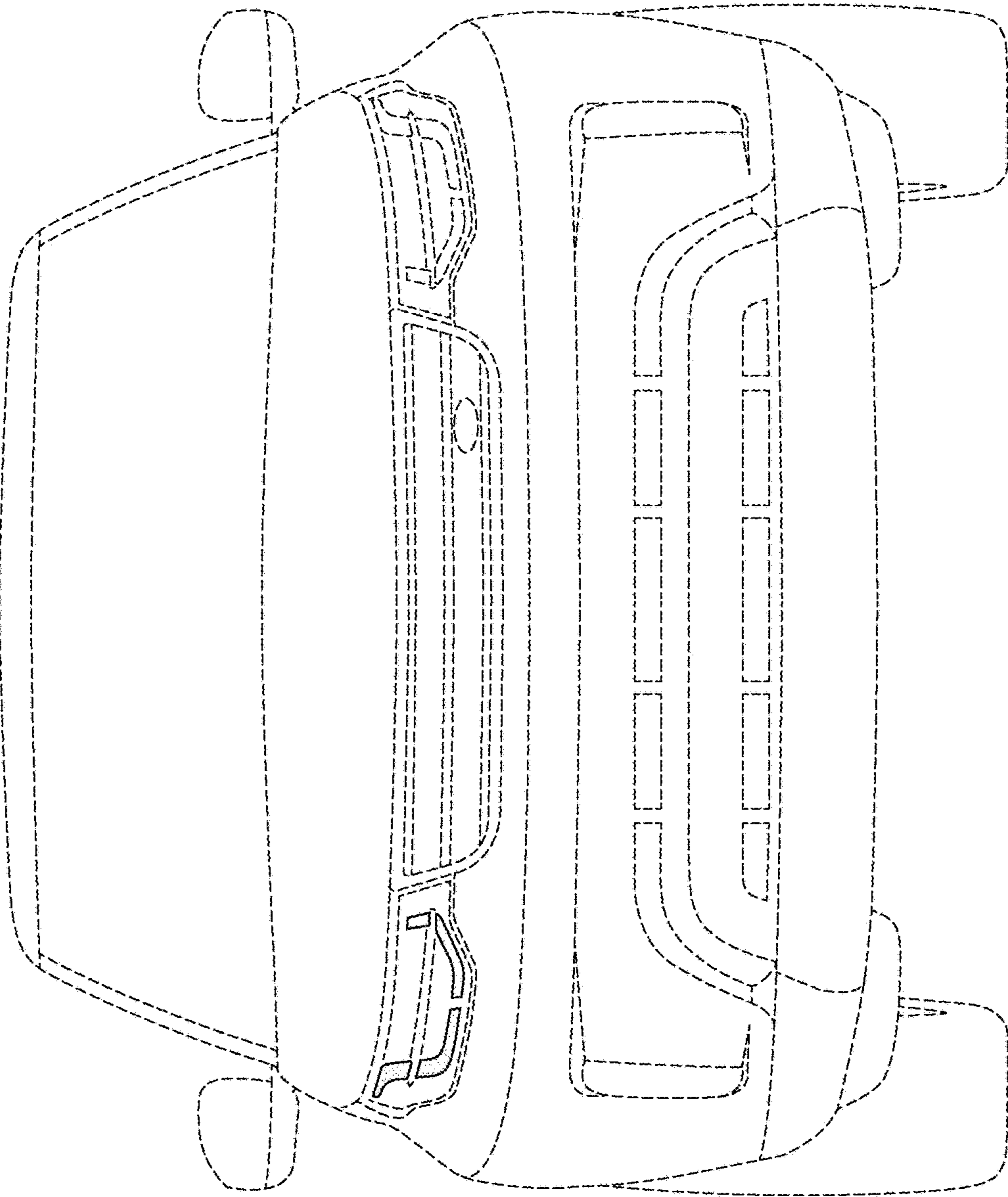


FIG. 14