



US00D848640S

(12) **United States Design Patent** (10) **Patent No.:** **US D848,640 S**  
**Meyers et al.** (45) **Date of Patent:** **\*\* May 14, 2019**

(54) **AWNING ARM END COVER**

FOREIGN PATENT DOCUMENTS

(71) Applicant: **Dometic Sweden AB**, Solna (SE)

DE 202013000297 12/2013  
GB 2445289 7/2008

(72) Inventors: **Clayton Hendry Meyers**, Middlebury, IN (US); **Samuele Meda**, Solna (SE); **Joakim Ahlström**, Täby (SE)

OTHER PUBLICATIONS

(73) Assignee: **Dometic Sweden AB**, Solna (SE)

Canadian Patent Application No. 2,948,063 entitled "Awning Assembly Attachment" filed Nov. 10, 2016.

(\*\*) Term: **15 Years**

(Continued)

(21) Appl. No.: **29/627,086**

*Primary Examiner* — Leanne Was-Englehart

(22) Filed: **Nov. 22, 2017**

(74) *Attorney, Agent, or Firm* — Middleton Reutlinger

(51) **LOC (11) Cl.** ..... **25-02**

(52) **U.S. Cl.**  
USPC ..... **D25/57**

(58) **Field of Classification Search**  
USPC ..... D6/579, 580; D8/376, 377; D25/56, 57  
CPC .. E04H 15/08; E04F 10/0614; E04F 10/0618;  
E04F 10/0625; E04F 10/0648; E04F  
10/0662; E04F 10/0688; E04F 10/0692;  
E06B 9/70

(57) **CLAIM**

The ornamental design for an awning arm end cover, as shown and described.

See application file for complete search history.

**DESCRIPTION**

(56) **References Cited**

U.S. PATENT DOCUMENTS

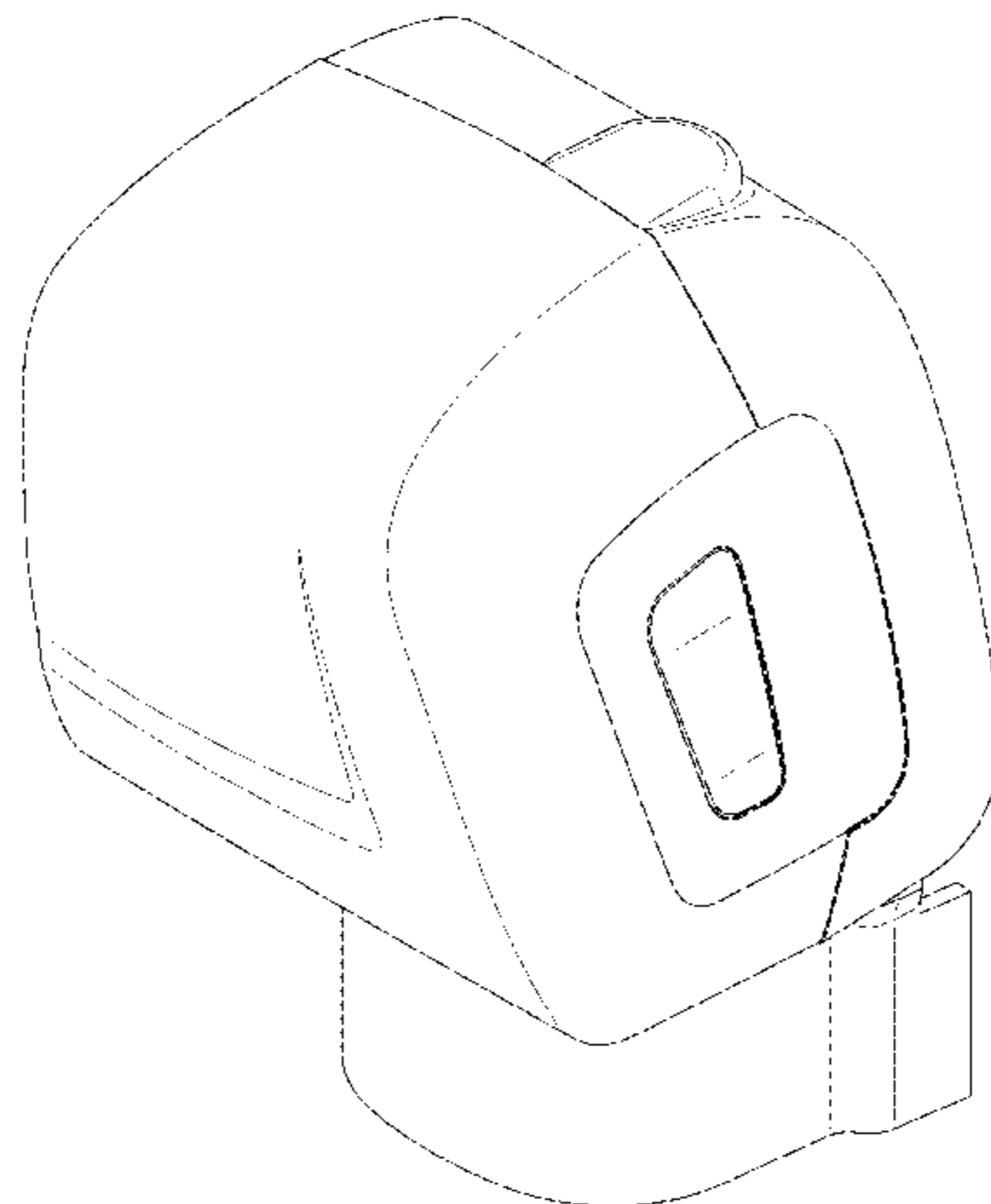
3,327,724 A 6/1967 Nielsen  
3,779,302 A 12/1973 Akers et al.  
3,847,171 A 11/1974 Akers et al.  
3,991,805 A 11/1976 Clauss  
4,117,876 A 10/1978 Bennett  
4,164,972 A 8/1979 Richard  
4,171,013 A 10/1979 Clark  
4,180,117 A 12/1979 Greer  
4,188,964 A 2/1980 Greer  
4,347,886 A 9/1982 von Knorring  
4,494,707 A 1/1985 Niibori et al.  
4,524,791 A 6/1985 Greer  
4,566,516 A \* 1/1986 Lohausen ..... E04F 10/0618  
160/22

FIG. 1 is an upper perspective view of an awning arm end cover;  
FIG. 2 is a front view of the awning arm end cover of FIG. 1;  
FIG. 3 is a rear view of the awning arm end cover of FIG. 1;  
FIG. 4 is a top view of the awning arm end cover of FIG. 1;  
FIG. 5 is a bottom view of the awning arm end cover of FIG. 1;  
FIG. 6 is a right side view of the awning arm end cover of FIG. 1;  
FIG. 7 is a left side view of the awning arm end cover of FIG. 1; and,  
FIG. 8 is a lower perspective view of the awning arm end cover of FIG. 1.

The broken line disclosure represents unclaimed portions of the awning arm end cover in which the design is embodied.

4,727,897 A 3/1988 Watts  
(Continued)

**1 Claim, 8 Drawing Sheets**



(56)

References Cited

U.S. PATENT DOCUMENTS

4,862,940 A 9/1989 Atchison  
 4,941,524 A 7/1990 Greer  
 5,172,743 A 12/1992 Wallace et al.  
 5,351,736 A 10/1994 Laffler et al.  
 5,365,989 A 11/1994 Eger et al.  
 5,383,346 A 1/1995 Laffler et al.  
 5,427,168 A 6/1995 Lohausen  
 5,472,007 A 12/1995 Malott  
 5,549,129 A 8/1996 Becker  
 5,558,145 A 9/1996 Baka  
 5,560,411 A 10/1996 Becker  
 5,566,918 A 10/1996 Becker  
 5,622,214 A 4/1997 Baka et al.  
 5,636,675 A 6/1997 Baka et al.  
 5,669,430 A 9/1997 Malott  
 5,732,756 A 3/1998 Malott  
 5,924,465 A 7/1999 Malott  
 5,944,085 A 8/1999 Malott  
 6,000,501 A 12/1999 Evans  
 6,006,810 A 12/1999 Malott  
 6,021,834 A 2/2000 Malott  
 6,021,835 A 2/2000 Malott  
 6,029,732 A 2/2000 Malott  
 6,089,306 A 7/2000 Frey, Jr.  
 6,112,392 A 9/2000 Becker et al.  
 6,206,078 B1 3/2001 Frey, Jr.  
 6,276,424 B1 8/2001 Frey, Jr.  
 6,279,641 B1 8/2001 Malott  
 6,341,638 B1 1/2002 Thompson  
 6,361,570 B1 3/2002 Gow  
 6,488,069 B1 12/2002 Mashaw et al.  
 6,497,267 B1 12/2002 Azar et al.  
 6,829,861 B1 12/2004 Kobrehel et al.  
 6,840,568 B2 1/2005 Carrillo et al.  
 6,843,301 B2 1/2005 Carrillo et al.  
 6,874,559 B1 4/2005 Hicks  
 6,971,433 B2 12/2005 Wagner et al.  
 7,077,458 B2 7/2006 Malott et al.  
 7,121,314 B2 10/2006 Hicks et al.  
 7,281,560 B2 10/2007 Hicks et al.  
 7,556,079 B2 7/2009 Hicks et al.  
 D604,427 S \* 11/2009 Kramer ..... D25/57  
 7,628,194 B2 12/2009 Wagner et al.  
 D610,707 S \* 2/2010 Kramer ..... D25/57

D610,708 S \* 2/2010 Kramer ..... D25/57  
 7,828,036 B2 11/2010 Tran  
 7,967,050 B2 6/2011 Gutierrez  
 8,006,737 B2 8/2011 Popa  
 8,042,595 B2 \* 10/2011 Llagostera Forns .....  
 E04F 10/0692  
 160/22  
 8,205,656 B2 6/2012 Ma  
 D668,787 S \* 10/2012 Kramer ..... D25/57  
 D668,788 S \* 10/2012 Kramer ..... D25/57  
 D669,192 S \* 10/2012 Kramer ..... D25/57  
 D669,193 S \* 10/2012 Kramer ..... D25/57  
 8,316,910 B2 \* 11/2012 Popa ..... E04F 10/0618  
 160/46  
 8,336,256 B2 12/2012 Jeffrey et al.  
 8,752,565 B2 6/2014 McConnell et al.  
 8,752,606 B2 \* 6/2014 Albrecht ..... E04H 15/08  
 160/67  
 8,887,785 B2 11/2014 Goth  
 8,960,256 B2 2/2015 Wagner et al.  
 9,175,481 B2 \* 11/2015 Albrecht ..... E04F 10/0614  
 9,228,359 B2 1/2016 Taylor  
 9,469,997 B2 \* 10/2016 Thompson ..... E04F 10/0611  
 9,834,952 B1 \* 12/2017 Meyers ..... E04F 10/0688  
 D814,047 S \* 3/2018 Pozzi ..... D25/57  
 2004/0221965 A1 11/2004 Wagner  
 2005/0072532 A1 4/2005 Holden et al.  
 2013/0098562 A1 4/2013 Gutierrez  
 2014/0352893 A1 12/2014 Malott  
 2017/0138056 A1 5/2017 Albertson  
 2017/0275884 A1 \* 9/2017 Thompson ..... E04F 10/0633

OTHER PUBLICATIONS

Australian Patent Application No. 2016222517 entitled “Awning Assembly” filed Sep. 5, 2016.  
 Canadian Patent Application No. 2,942,465 entitled “Awning Assembly” filed Sep. 5, 2016.  
 Carefree of Colorado; Buena Vista, 16 pages, <https://www.e-carefree.com/documentation/tech/052578-001r2%20Buena%20Vista.pdf> Mar. 1, 2013.  
 Dometic Products, 2014 Full Line Catalog; Dometic Awnings; Patty O’Room Jan. 1, 2014.  
 U.S. Appl. No. 15/581,025 entitled “Awning Assembly and Method Thereof” filed Apr. 28, 2017.

\* cited by examiner

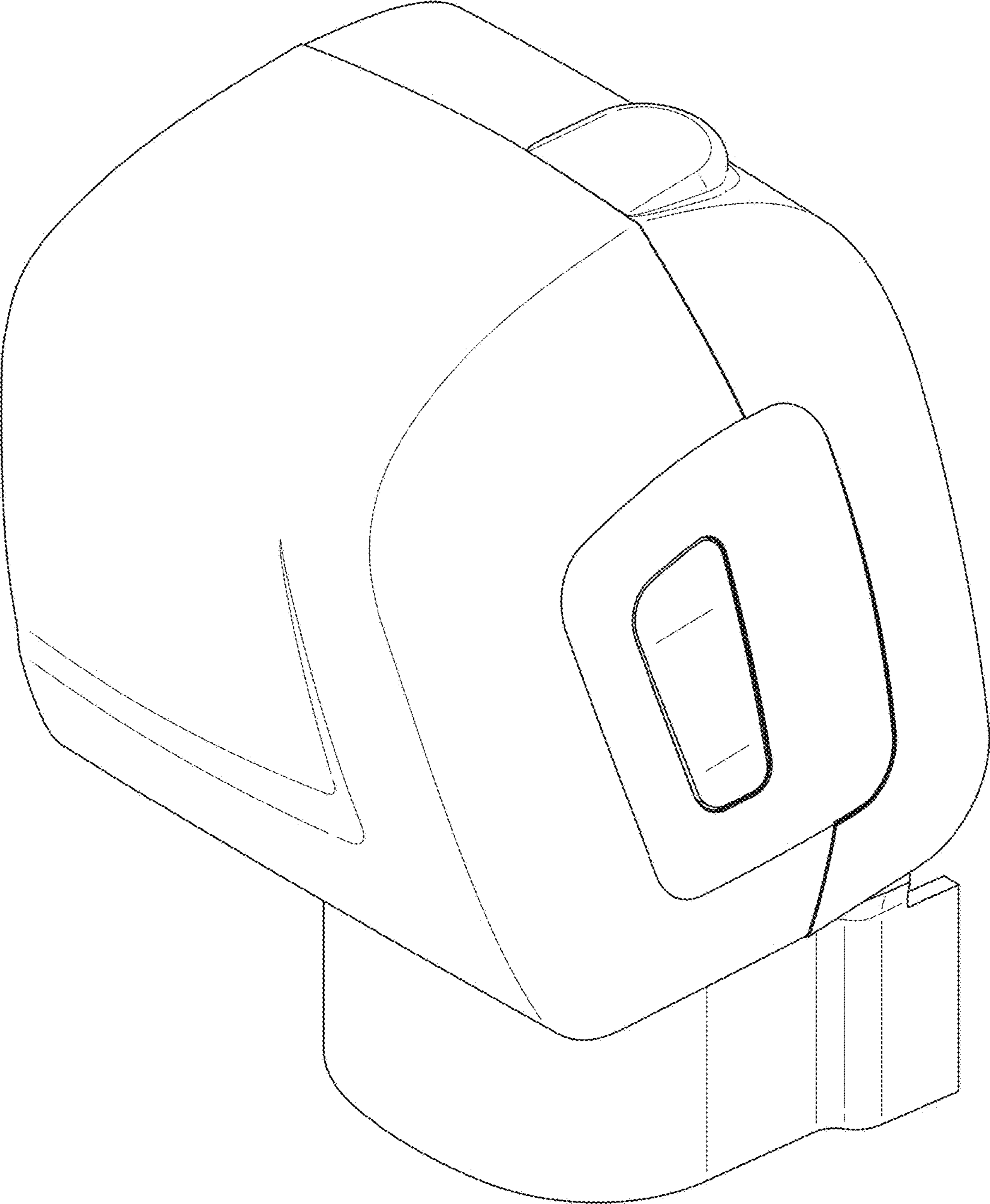
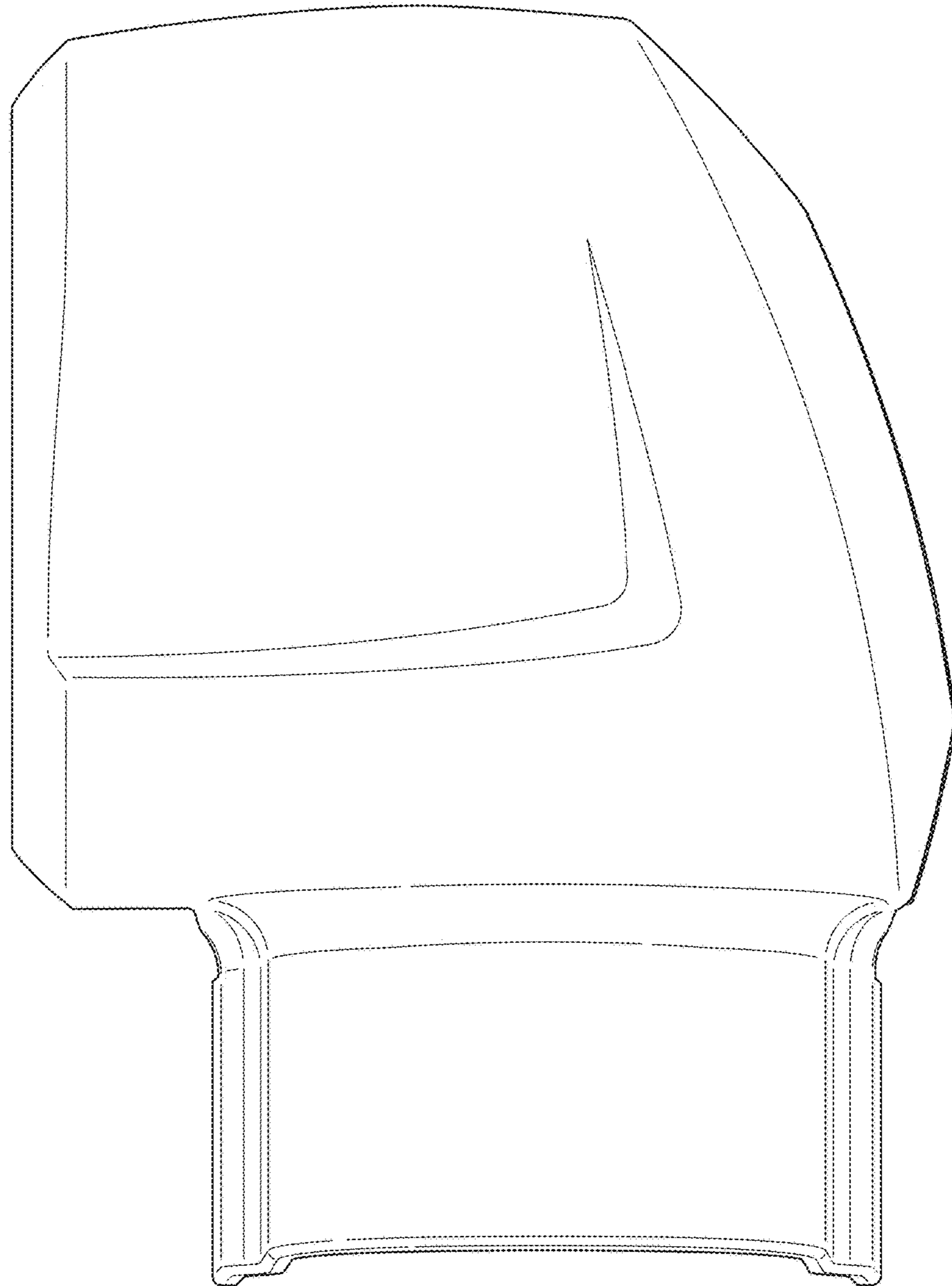


FIG. 1



*FIG. 2*

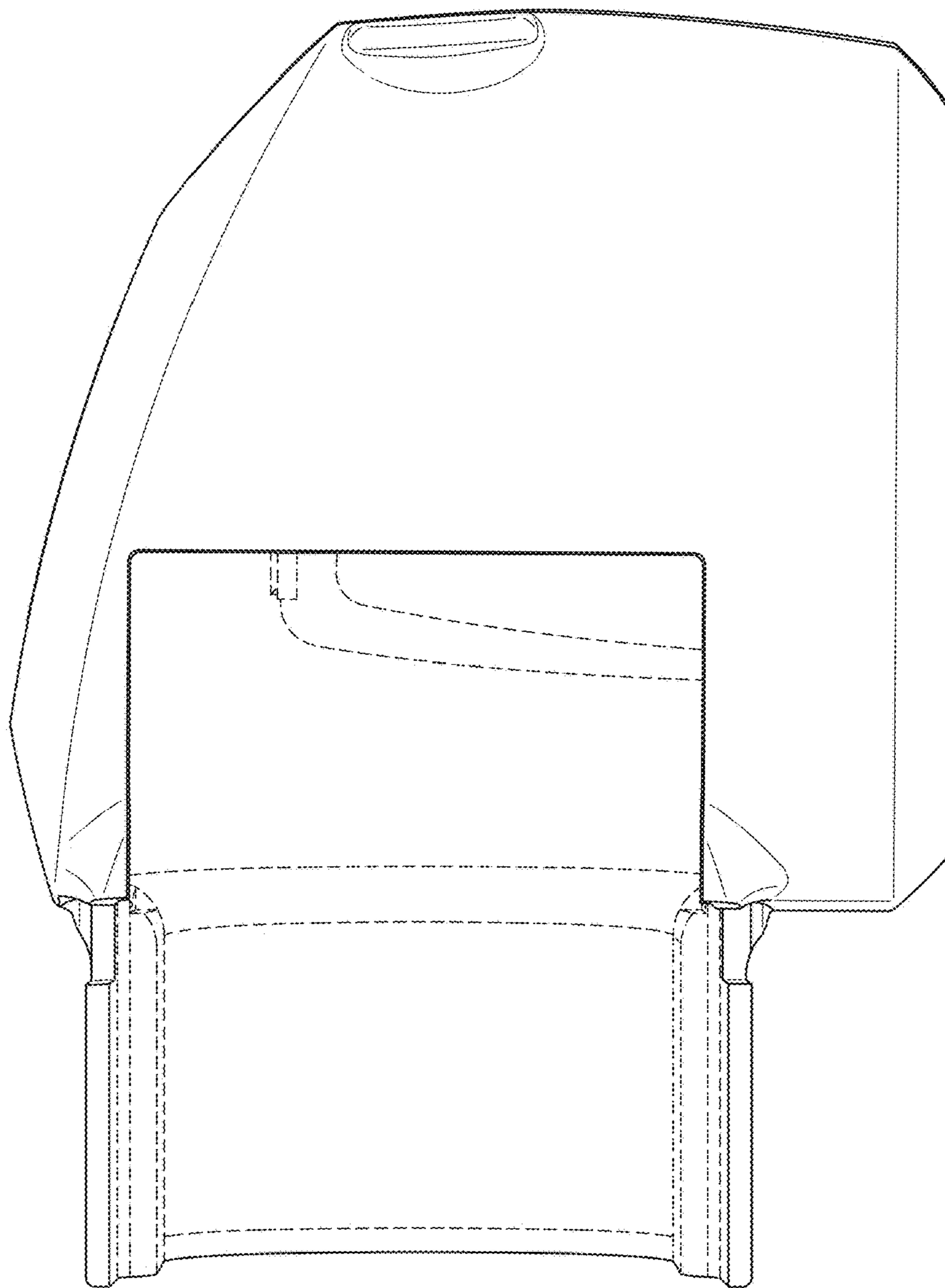


FIG. 3

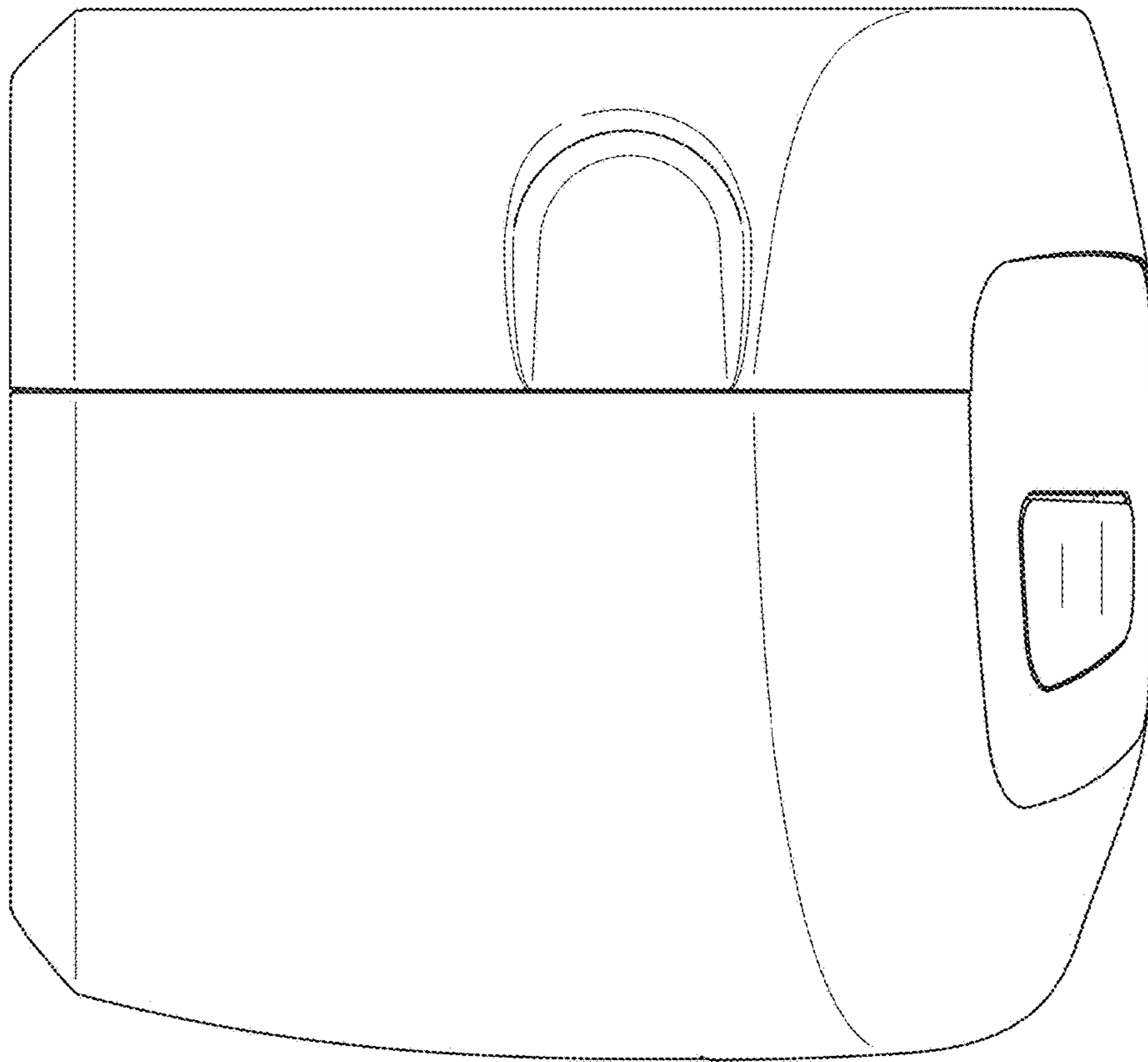


FIG. 4

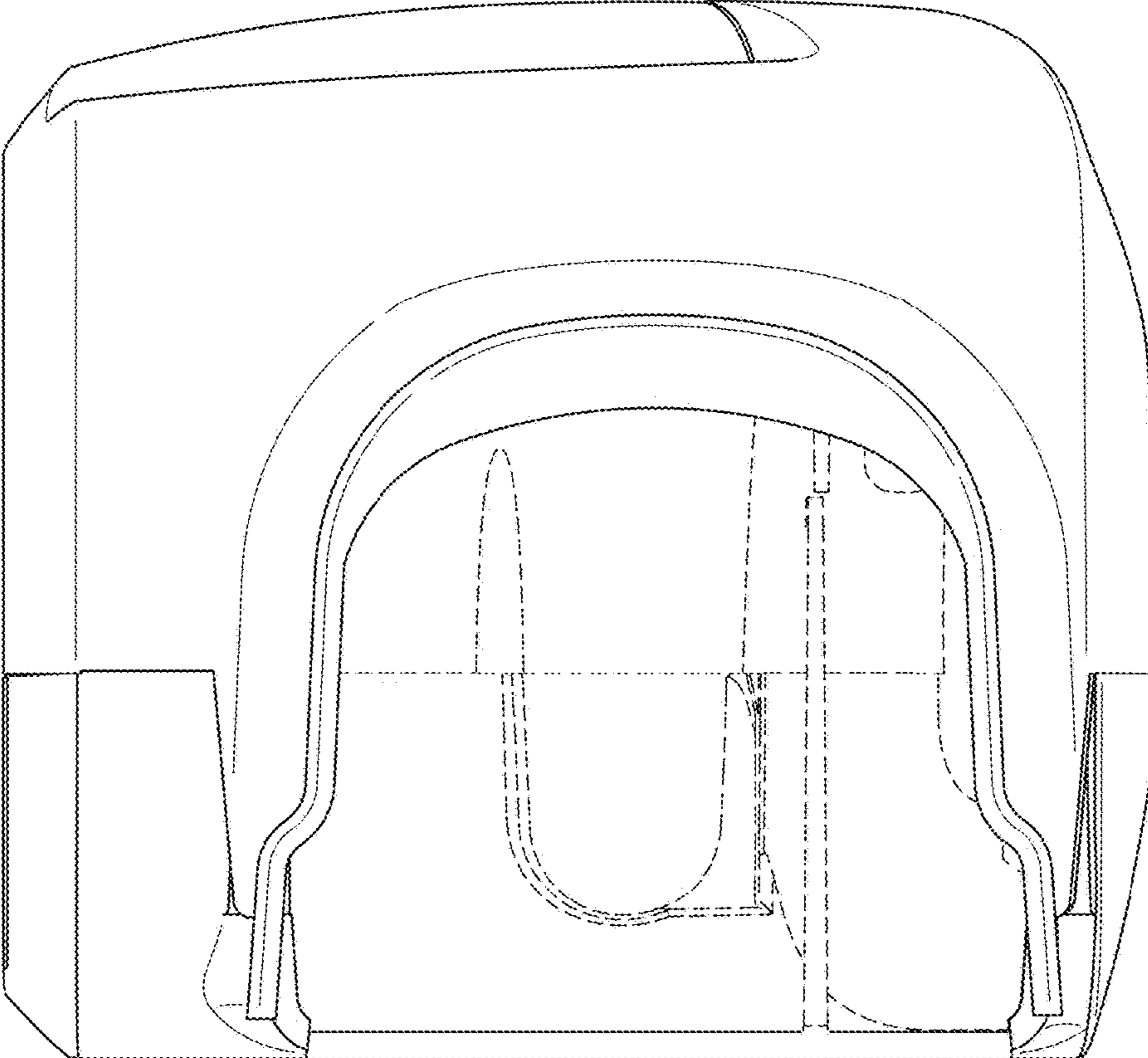


FIG. 5

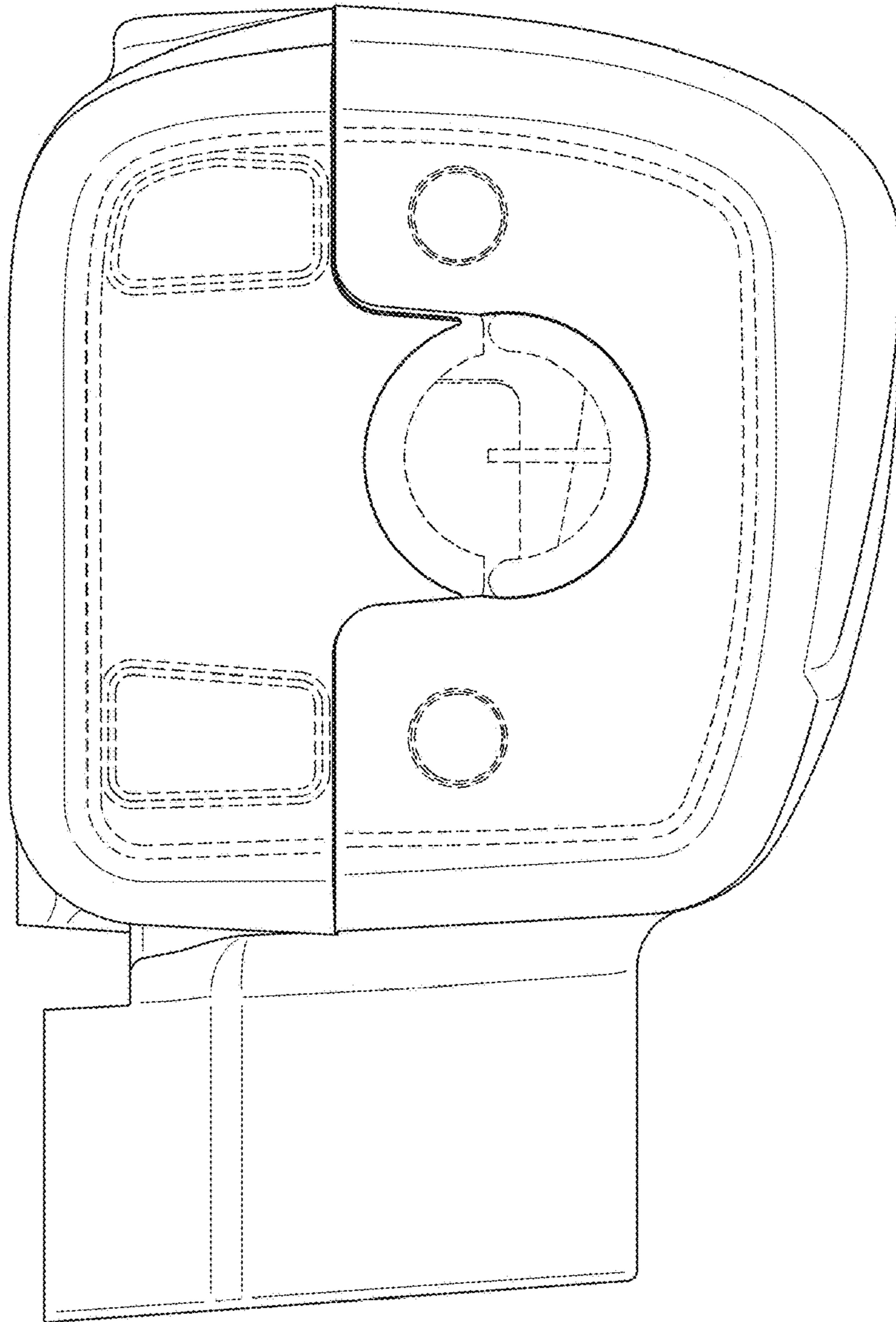


FIG. 6



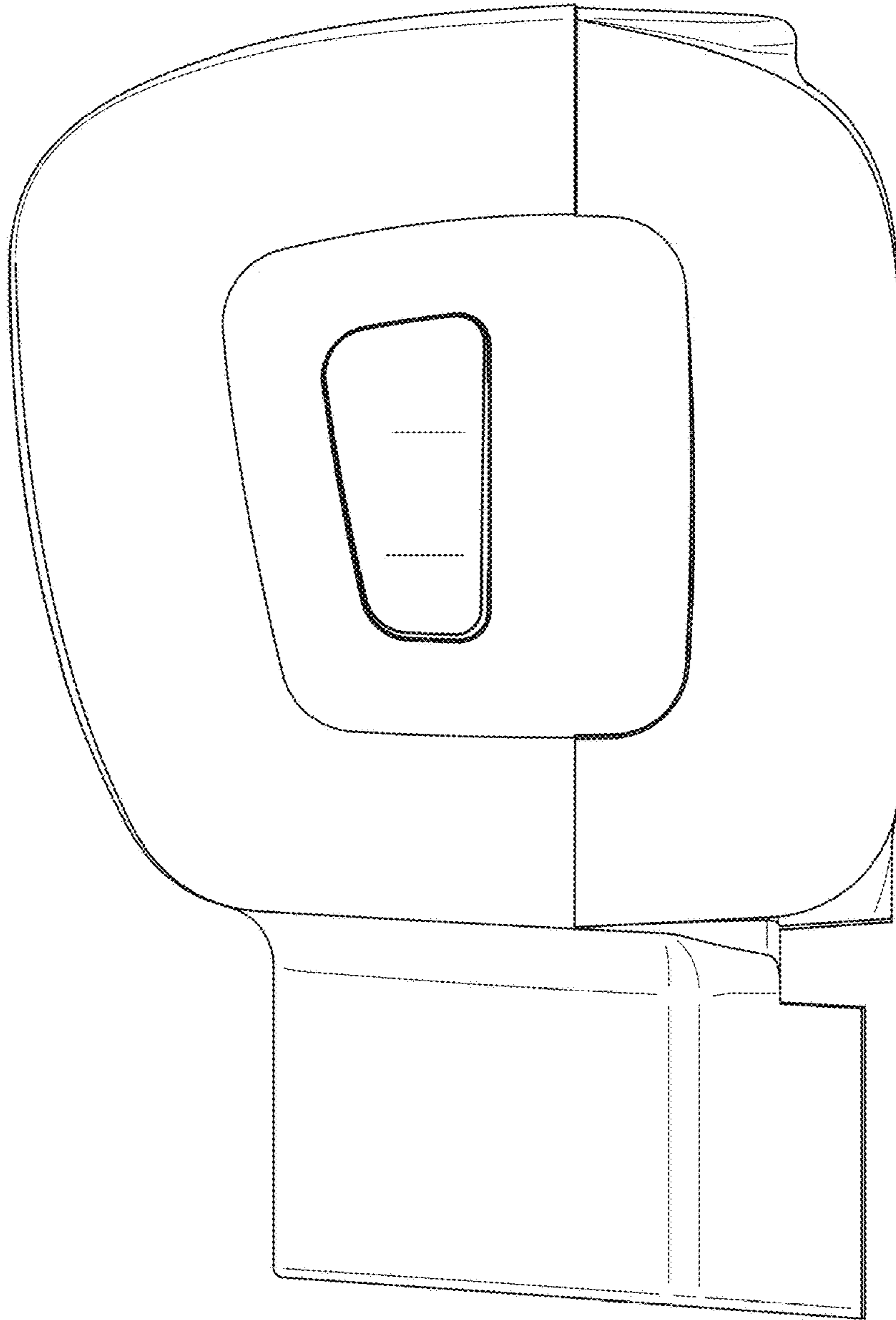


FIG. 7

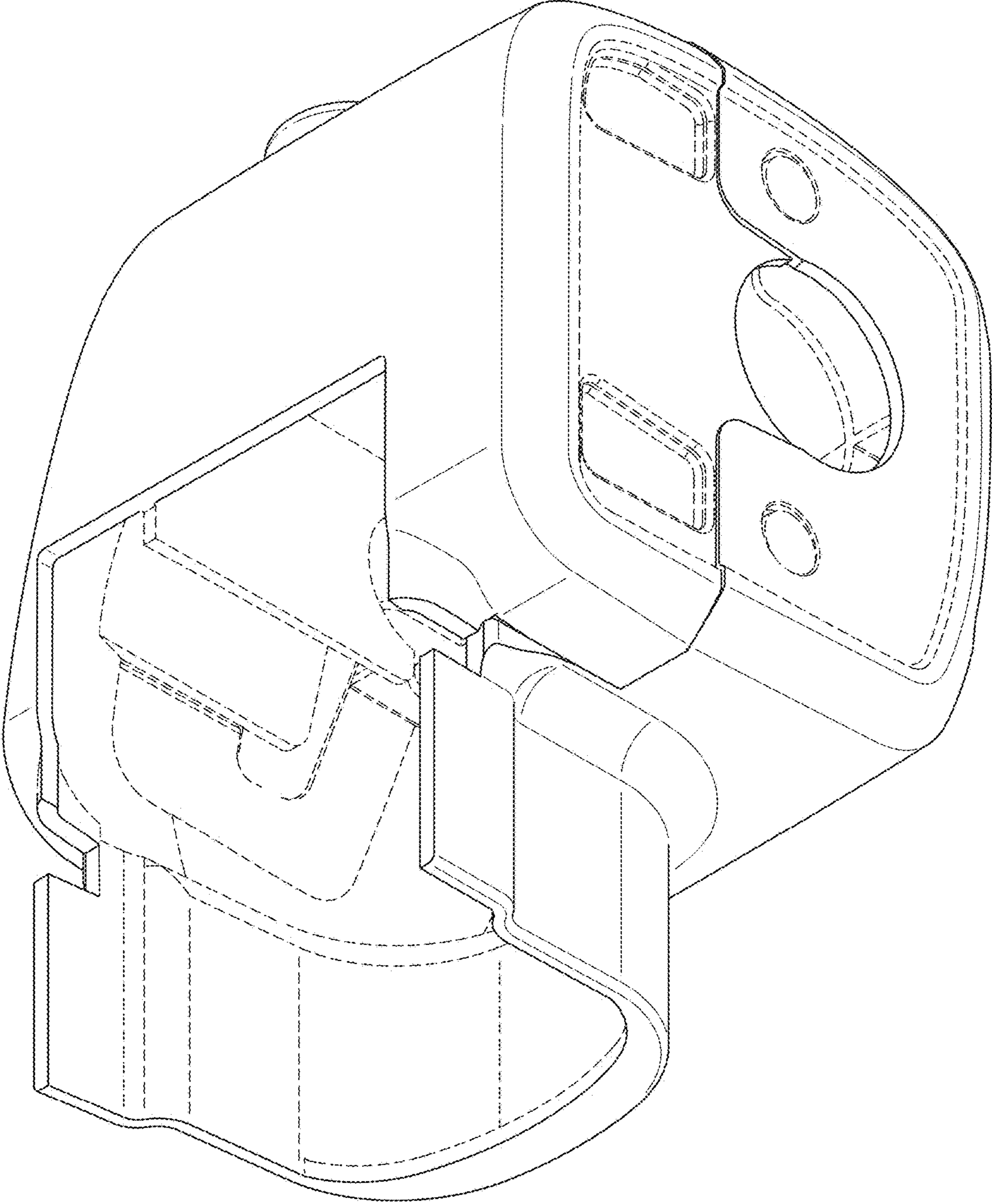


FIG. 8