

US00D848638S

(12) **United States Design Patent**  
**Sims et al.**

(10) **Patent No.:** **US D848,638 S**

(45) **Date of Patent:** **\*\* May 14, 2019**

(54) **MULTI-WELL PLATE ASSEMBLY**

(57) **CLAIM**

(71) Applicant: **ADVANCED BIOTECHNOLOGIES LIMITED**, Carlsbad, CA (US)

The ornamental design for a multi-well plate assembly, as shown and described.

(72) Inventors: **Daniel Sims**, Ashford (GB); **Clive Harrison**, Ashford (GB)

(73) Assignee: **ADVANCED BIOTECHNOLOGIES LIMITED**, Ashford (GB)

**DESCRIPTION**

(\*\*) Term: **15 Years**

(21) Appl. No.: **29/605,924**

(22) Filed: **May 31, 2017**

(51) **LOC (11) Cl.** ..... **24-02**

(52) **U.S. Cl.**  
USPC ..... **D24/226**

(58) **Field of Classification Search**  
USPC ..... D24/121, 224, 226, 227, 229, 230;  
D9/756-758

(Continued)

(56) **References Cited**

**U.S. PATENT DOCUMENTS**

D276,071 S \* 10/1984 Malinoff ..... D24/226  
4,682,891 A \* 7/1987 de Macario ..... G01N 21/03  
356/244

(Continued)

**FOREIGN PATENT DOCUMENTS**

CA 93723 \* 10/2001

**OTHER PUBLICATIONS**

Corning® Osteo Assay Surface Multiple Well Plate. Online, published date unknown. Retrieved on Aug. 14, 2018 from URL: <https://www.sigmaaldrich.com/catalog/product/sigma/cls3988?lang=en&region=US>.\*

*Primary Examiner* — Susan Bennett Hattan

*Assistant Examiner* — Omeed Agilee

FIG. 1 is a perspective view of a multi-well plate, according to a first embodiment;  
FIG. 2 is a front view of the multi-well plate assembly of FIG. 1;  
FIG. 3 is a back view of the multi-well plate assembly of FIG. 1;  
FIG. 4 is a right side view of the multi-well plate assembly of FIG. 1;  
FIG. 5 is a left side view of the multi-well plate assembly of FIG. 1;  
FIG. 6 is a top view of the multi\_wellplate assembly of FIG. 1, with an encircled area showing the location of the detail in FIG. 7;  
FIG. 7 is an enlarged detail of area 7 within FIG. 6;  
FIG. 8 is a bottom view of the multi-well plate assembly of FIG. 1;  
FIG. 9 is a perspective view of the multi-well plate assembly of FIG. 1, showing one section of 32-wells being separated;  
FIG. 10 is a perspective view of a multi-well plate assembly, according to a second embodiment;  
FIG. 11 is a front view of the multi-well plate assembly of FIG. 10;  
FIG. 12 is a back view of the multi-well plate assembly of FIG. 10;  
FIG. 13 is a right side view of the multi-well plate assembly of FIG. 10;  
FIG. 14 is a left side view of the multi-well plate assembly of FIG. 10;  
FIG. 15 is a top view of the multi-wellplate assembly of FIG. 10, with an encircled area showing the location of the detail in FIG. 16;  
FIG. 16 is an enlarged detail of area 16 within FIG. 15;  
FIG. 17 is a bottom view of the multi-well plate assembly of FIG. 10;

(Continued)

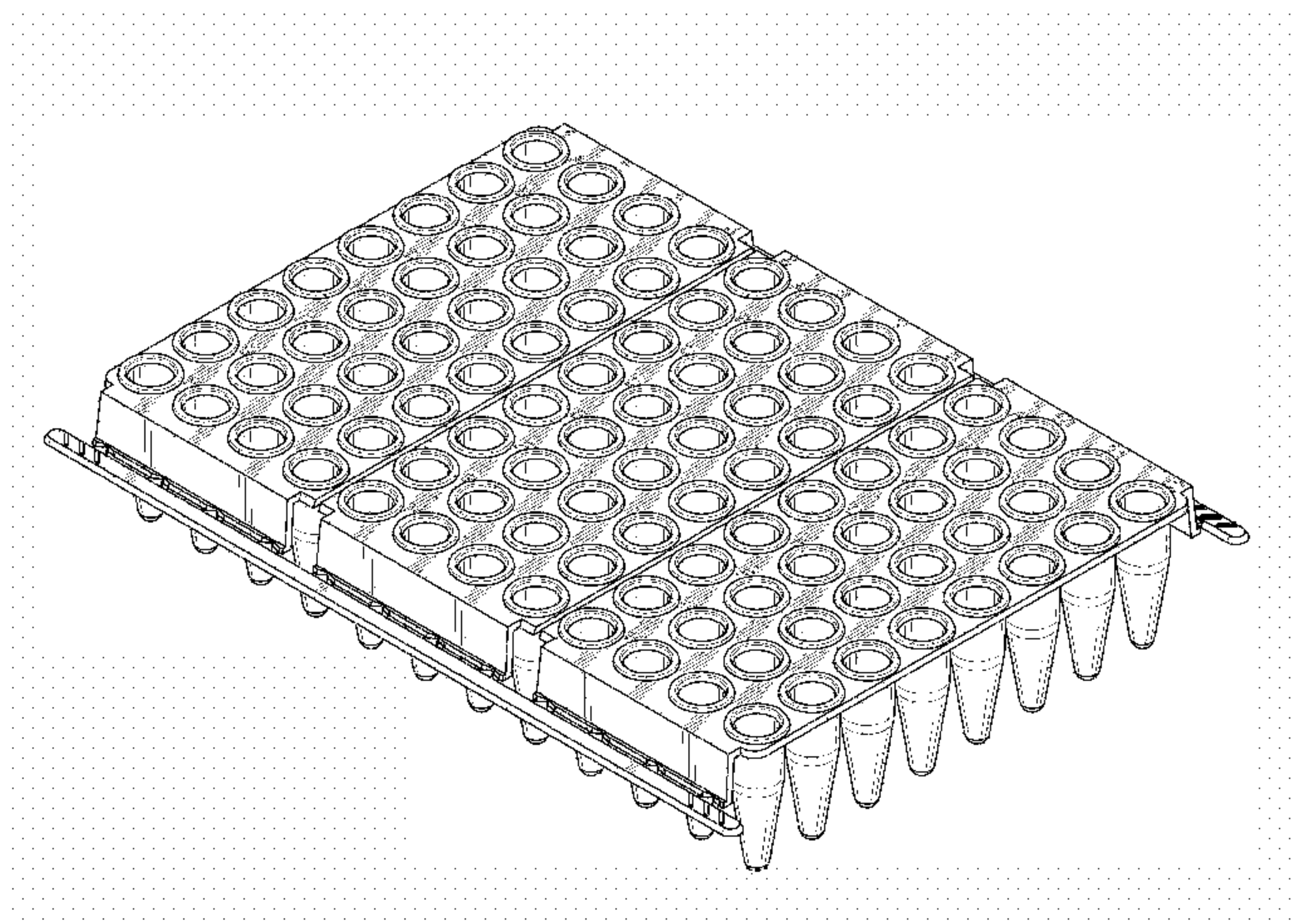


FIG. 18 is a perspective view of the multi-well plate assembly of FIG. 10 showing one section of 32-wells being separated;

FIG. 19 is a perspective view of a separated section of 32-wells of the multi-well plate assembly of FIG. 1;

FIG. 20 is a front view of the multi-well plate assembly of FIG. 19;

FIG. 21 is a back view of the multi-well plate assembly of FIG. 19;

FIG. 22 is a right side view of the multi-well plate assembly of FIG. 19;

FIG. 23 is a left side view of the multi-well plate assembly of FIG. 19;

FIG. 24 is a top view of the multi-well plate assembly of FIG. 19; and,

FIG. 25 is a bottom view of the multi-well plate assembly of FIG. 19.

The broken lines in the drawings depict portions of the multi-well plate assembly that form no part of the claimed design.

**1 Claim, 25 Drawing Sheets**

(58) **Field of Classification Search**

CPC ..... C12M 23/12; B01L 3/502; B01L 3/5025;  
B01L 3/5085; B01L 3/50855; B01D  
61/18

See application file for complete search history.

(56)

**References Cited**

U.S. PATENT DOCUMENTS

D302,207	S	*	7/1989	Matkovich .....	D24/226
5,487,872	A	*	1/1996	Hafeman .....	B01L 3/5085 250/372
D414,271	S	*	9/1999	Mendoza .....	D24/224
D420,743	S	*	2/2000	Monks .....	D24/224
D441,091	S	*	4/2001	Day .....	D24/224
D453,573	S	*	2/2002	Lafond .....	D24/216
6,558,631	B1	*	5/2003	Day .....	B01L 3/5085 206/538
D574,506	S	*	8/2008	Monks .....	D24/224
D608,013	S	*	1/2010	Coulling .....	D24/224
D632,404	S	*	2/2011	Karpiloff .....	D24/230
D673,294	S	*	12/2012	Motadel .....	D24/227
D675,748	S	*	2/2013	Hilligoss .....	D24/230
D677,400	S	*	3/2013	Blaettler .....	D24/230
D697,227	S	*	1/2014	Motadel .....	D24/227
D699,371	S	*	2/2014	Williams .....	D24/230
D702,854	S	*	4/2014	Nakahana .....	D24/227
D709,625	S	*	7/2014	Baum .....	D24/224
D732,186	S	*	6/2015	Burroughs .....	D24/226
D732,187	S	*	6/2015	Houkal .....	D24/227
D804,050	S	*	11/2017	Coulling .....	D24/224
D818,137	S	*	5/2018	Kawamura .....	D24/203
D825,774	S	*	8/2018	Self .....	D24/224
D825,775	S	*	8/2018	Muller .....	D24/230
2011/0286897	A1	*	11/2011	Uschkureit .....	B01L 3/5085 422/553

\* cited by examiner



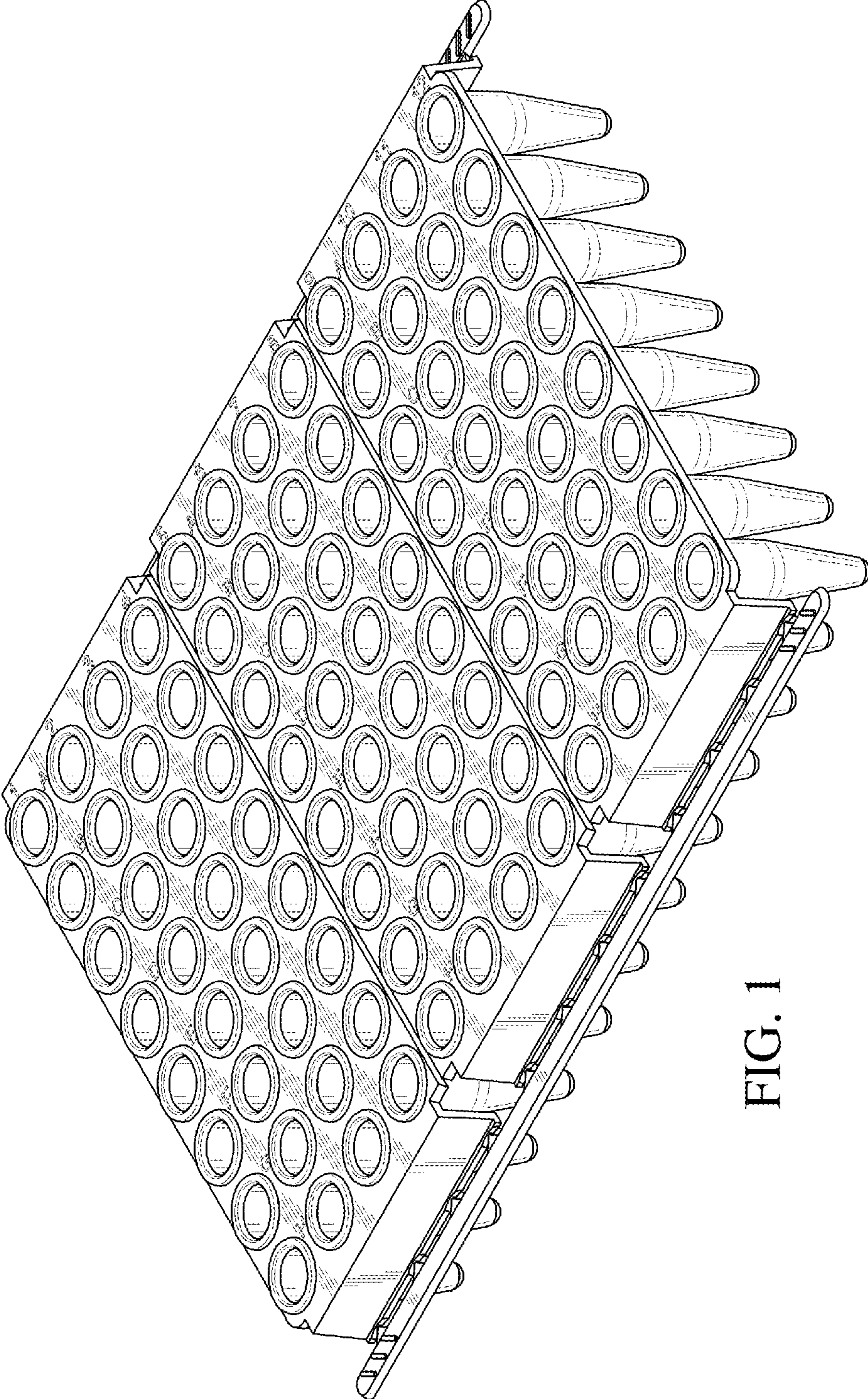


FIG. 1

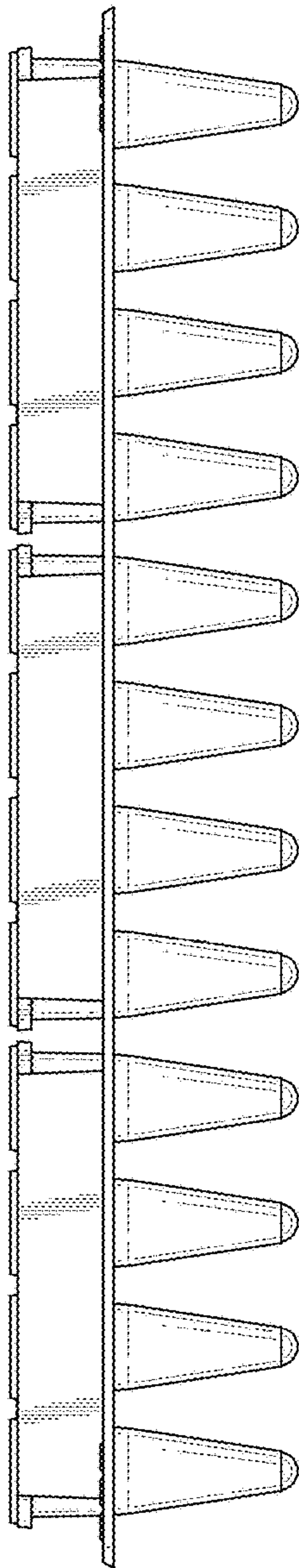


FIG. 2

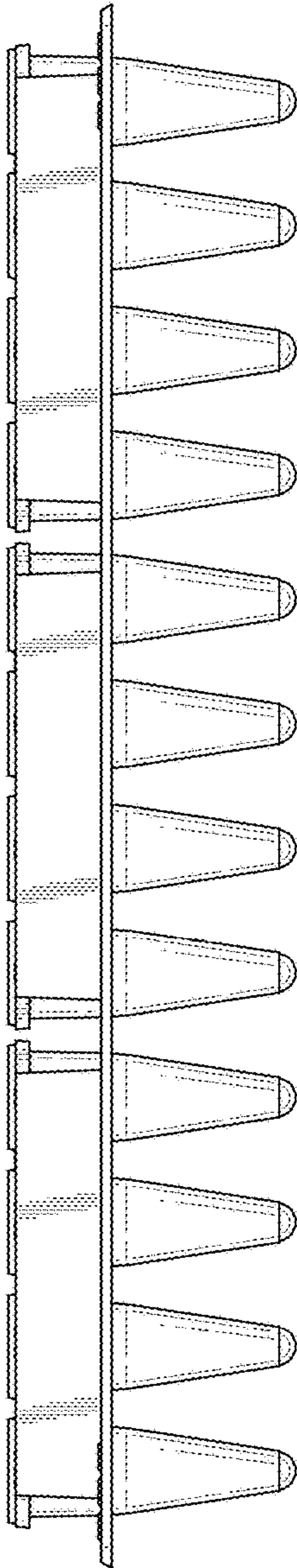


FIG. 3

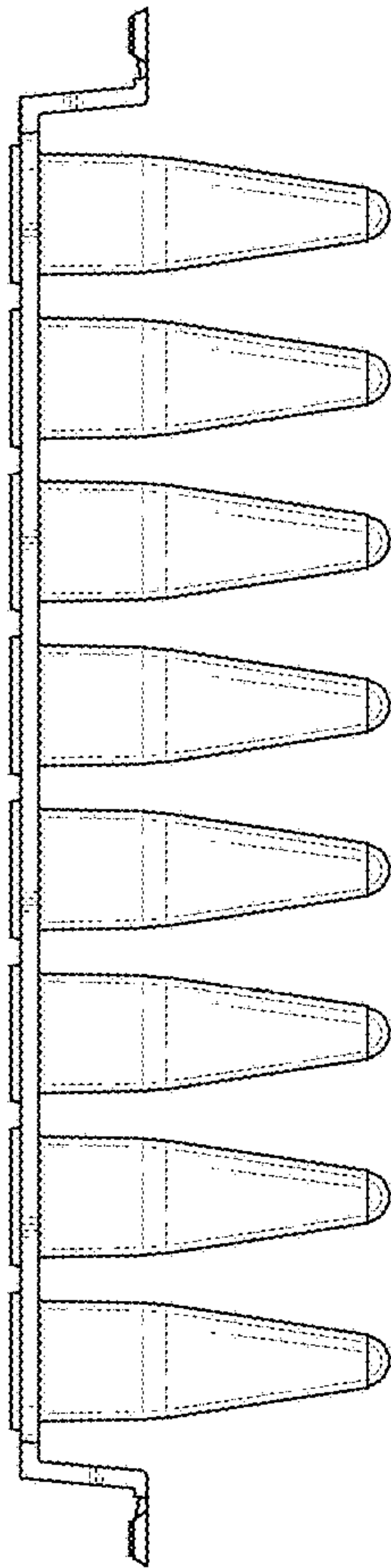


FIG. 4

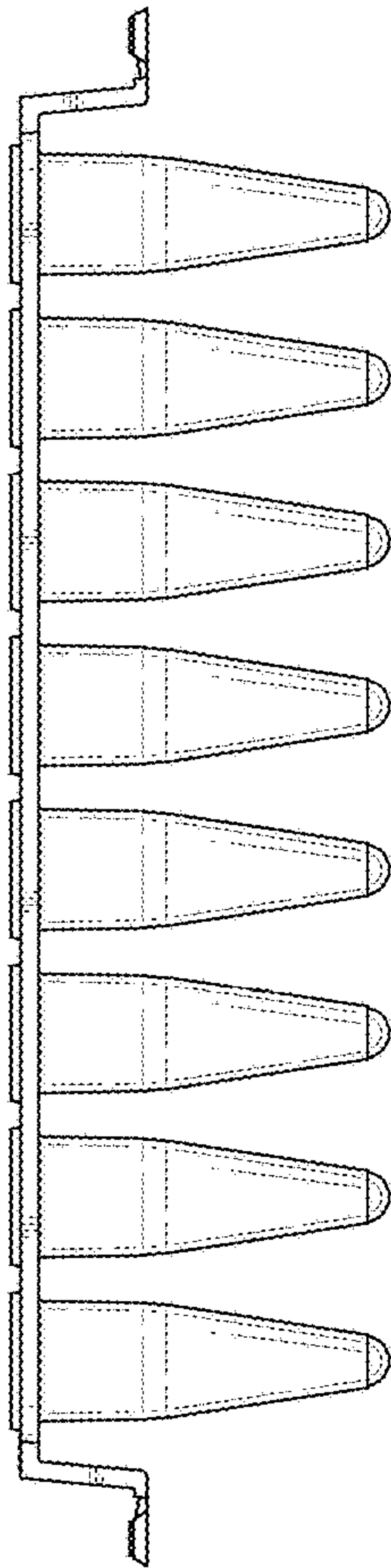


FIG. 5



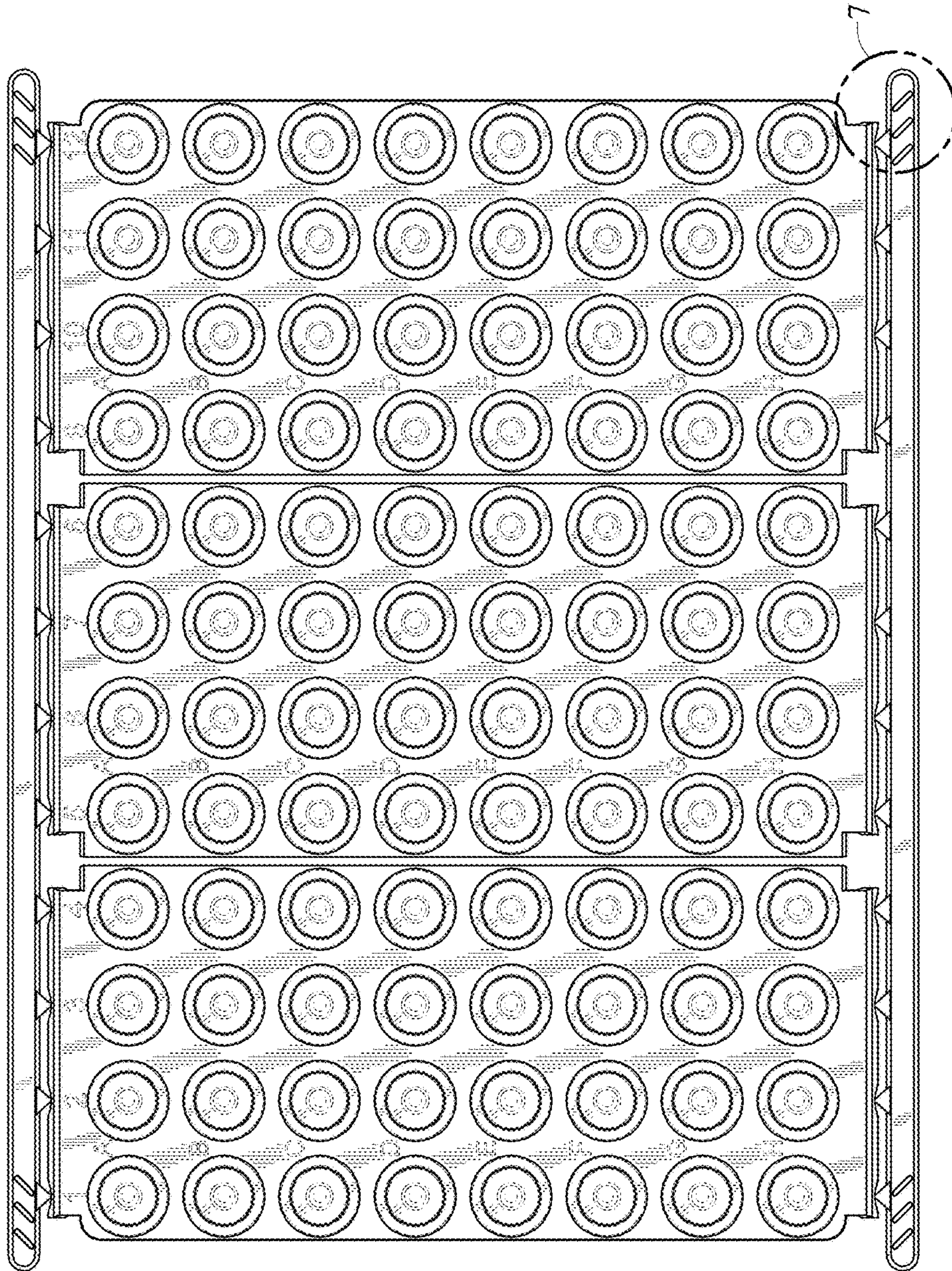


FIG. 6



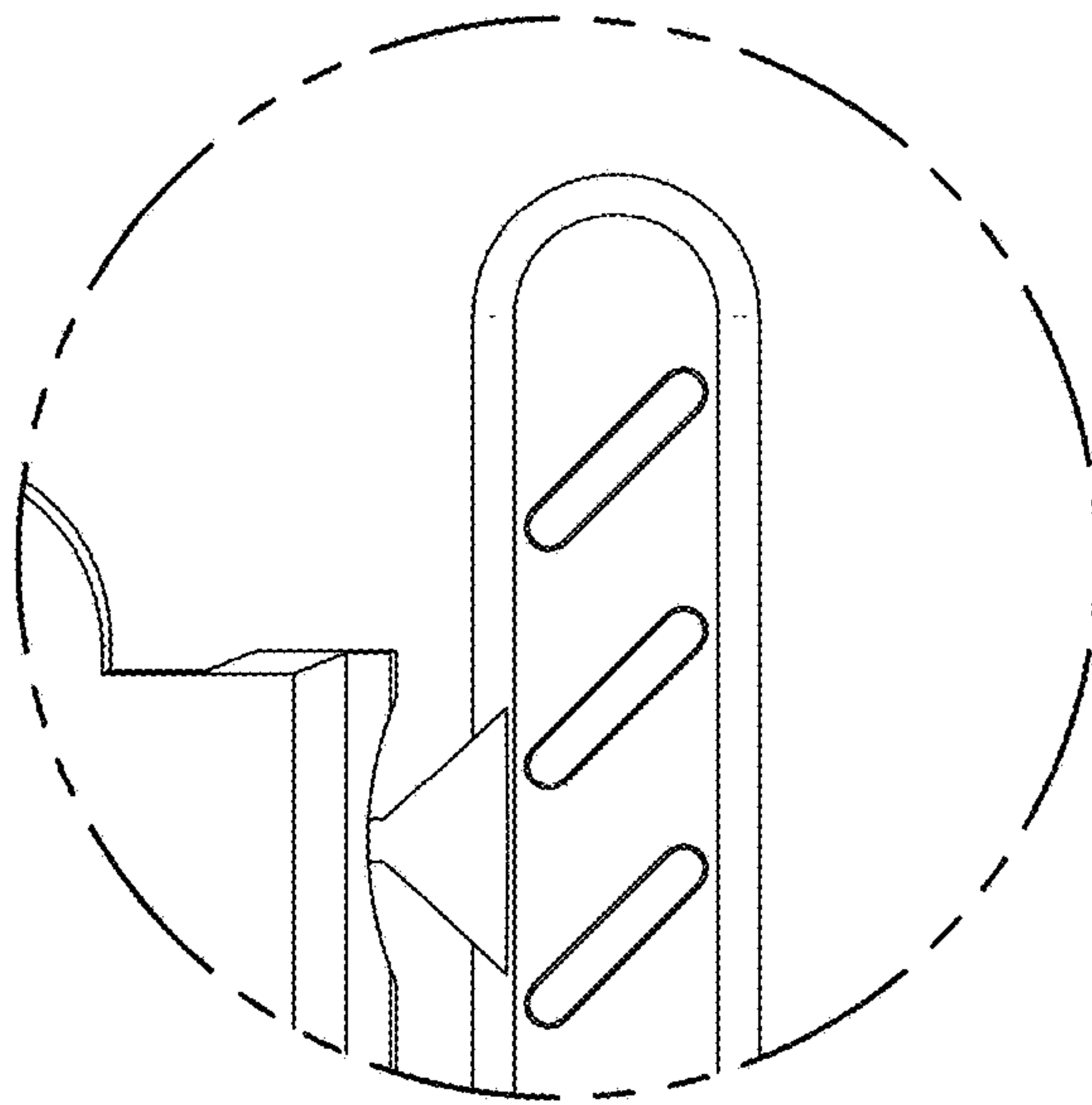


FIG. 7

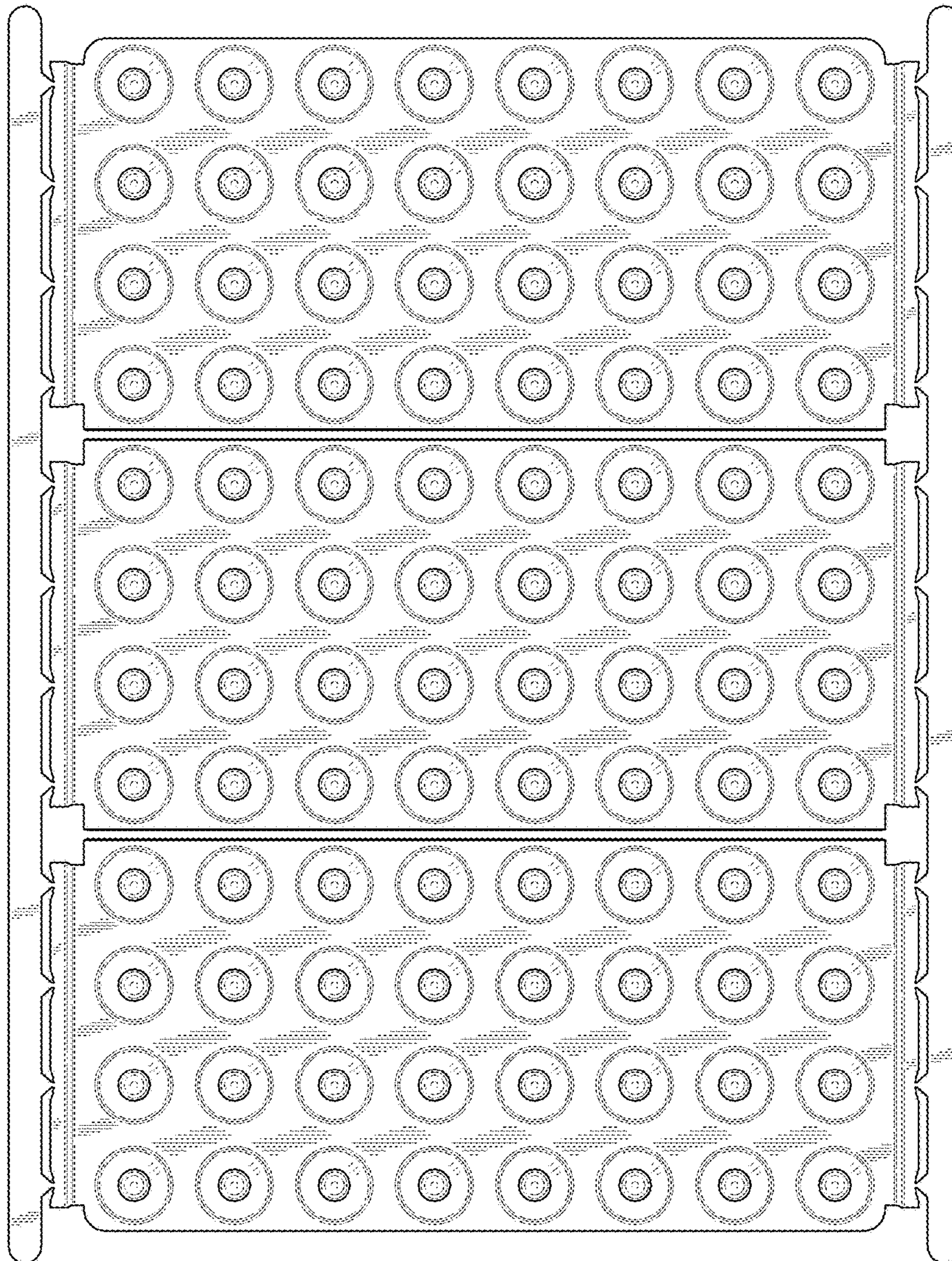


FIG. 8



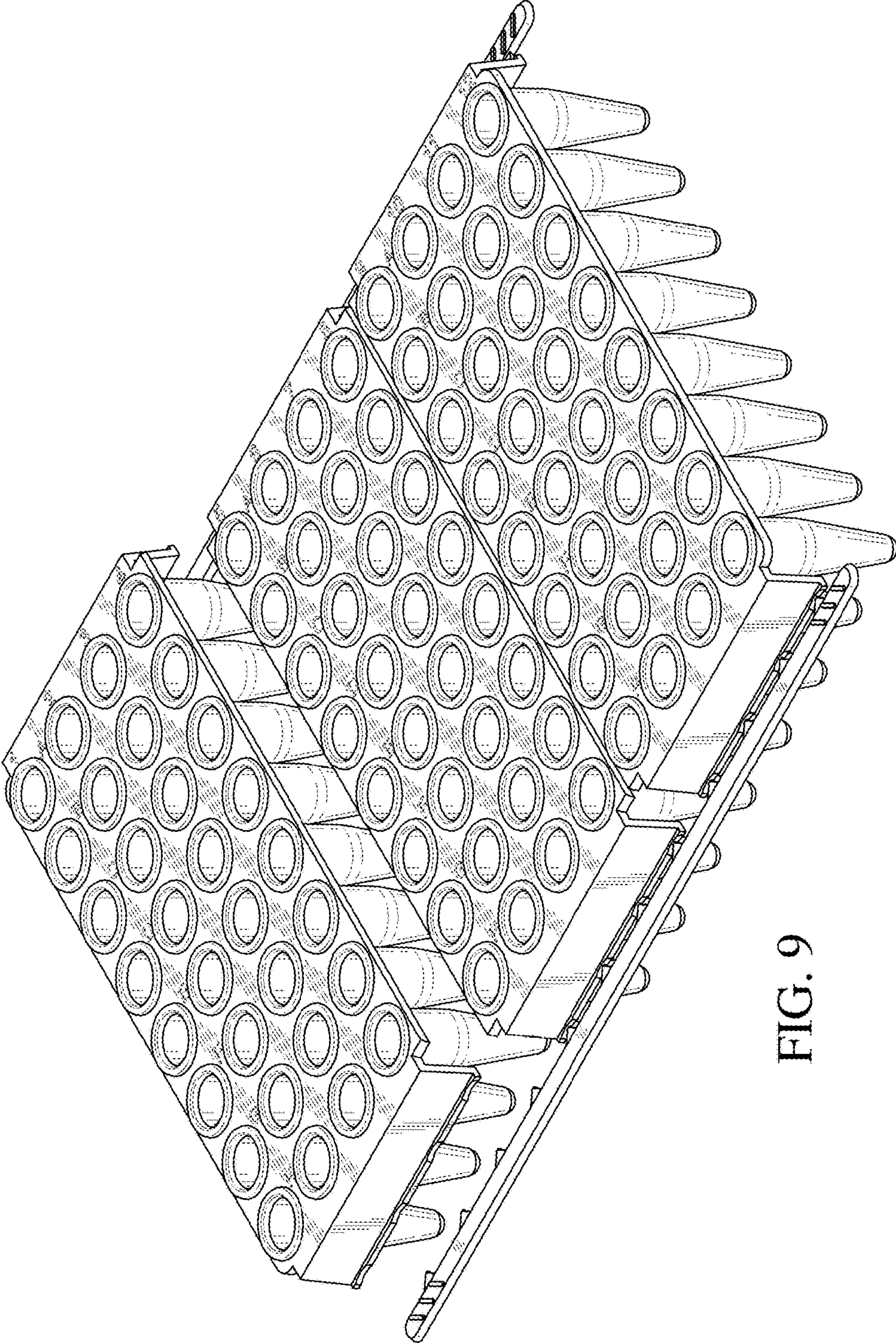


FIG. 9



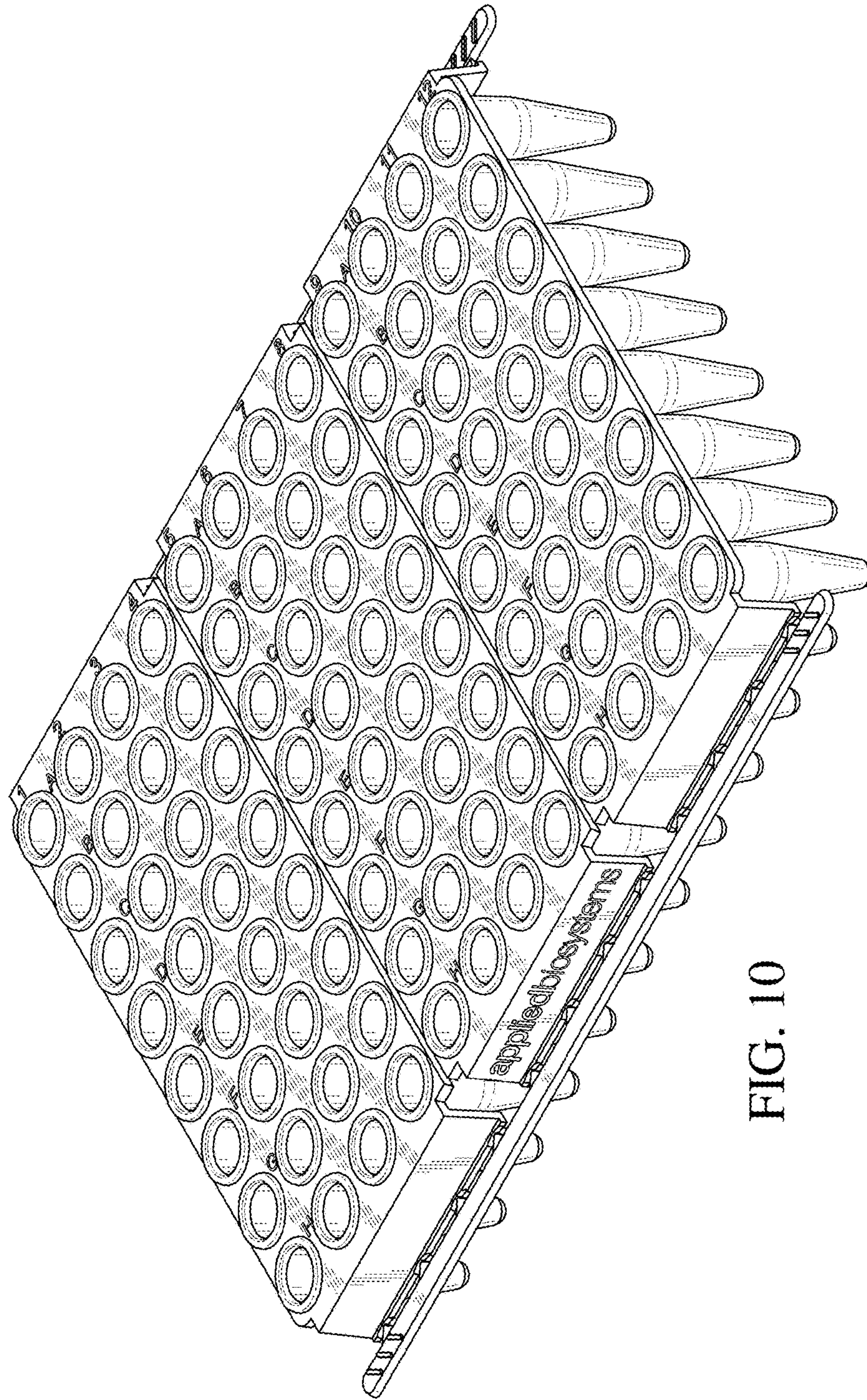


FIG. 10

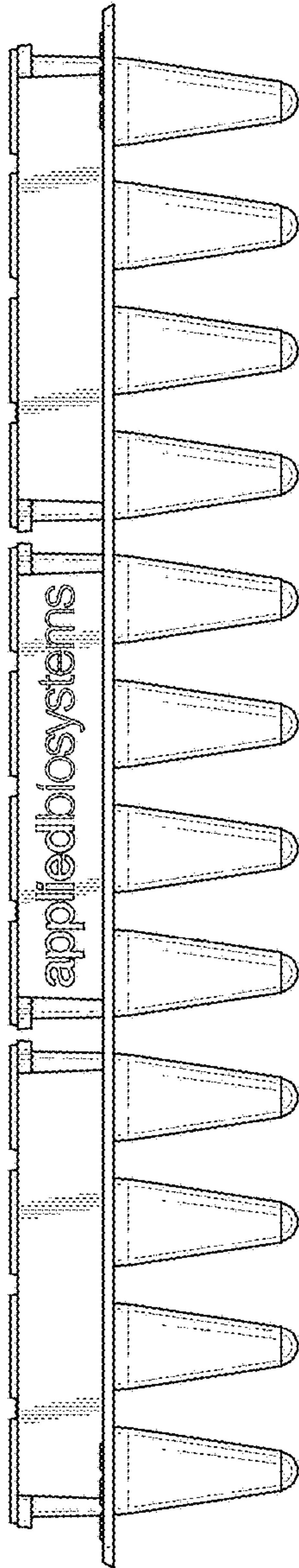


FIG. 11

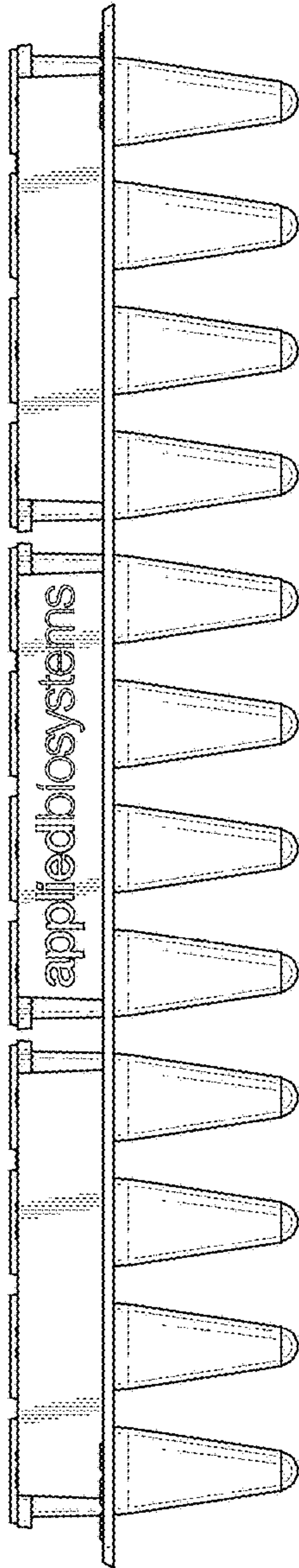


FIG. 12



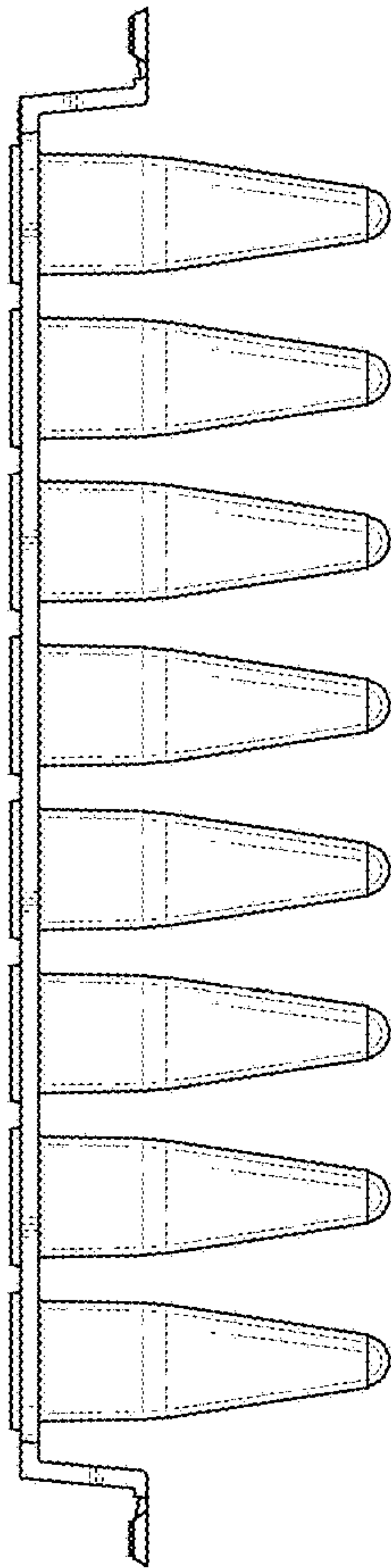


FIG. 13

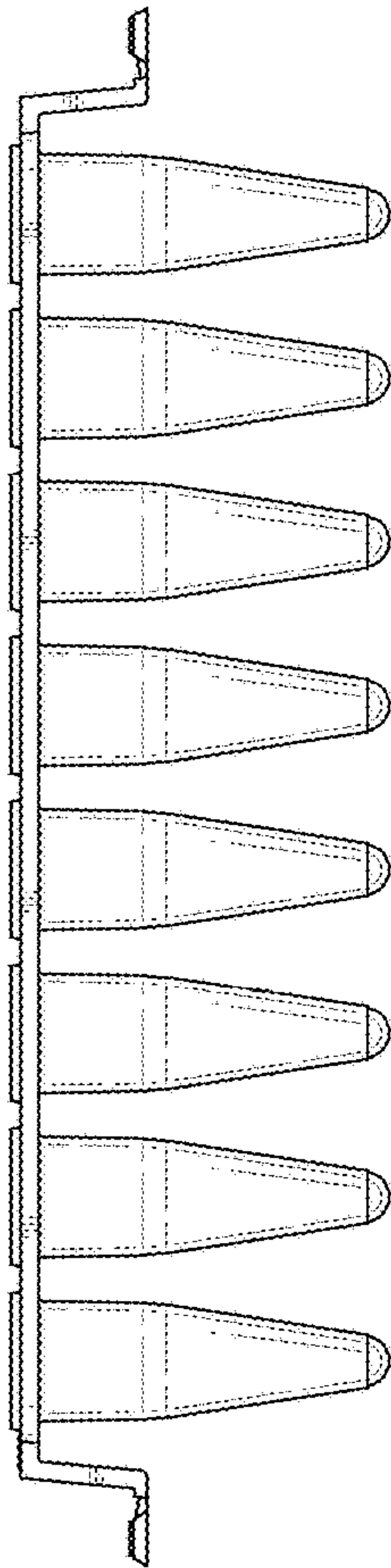


FIG. 14

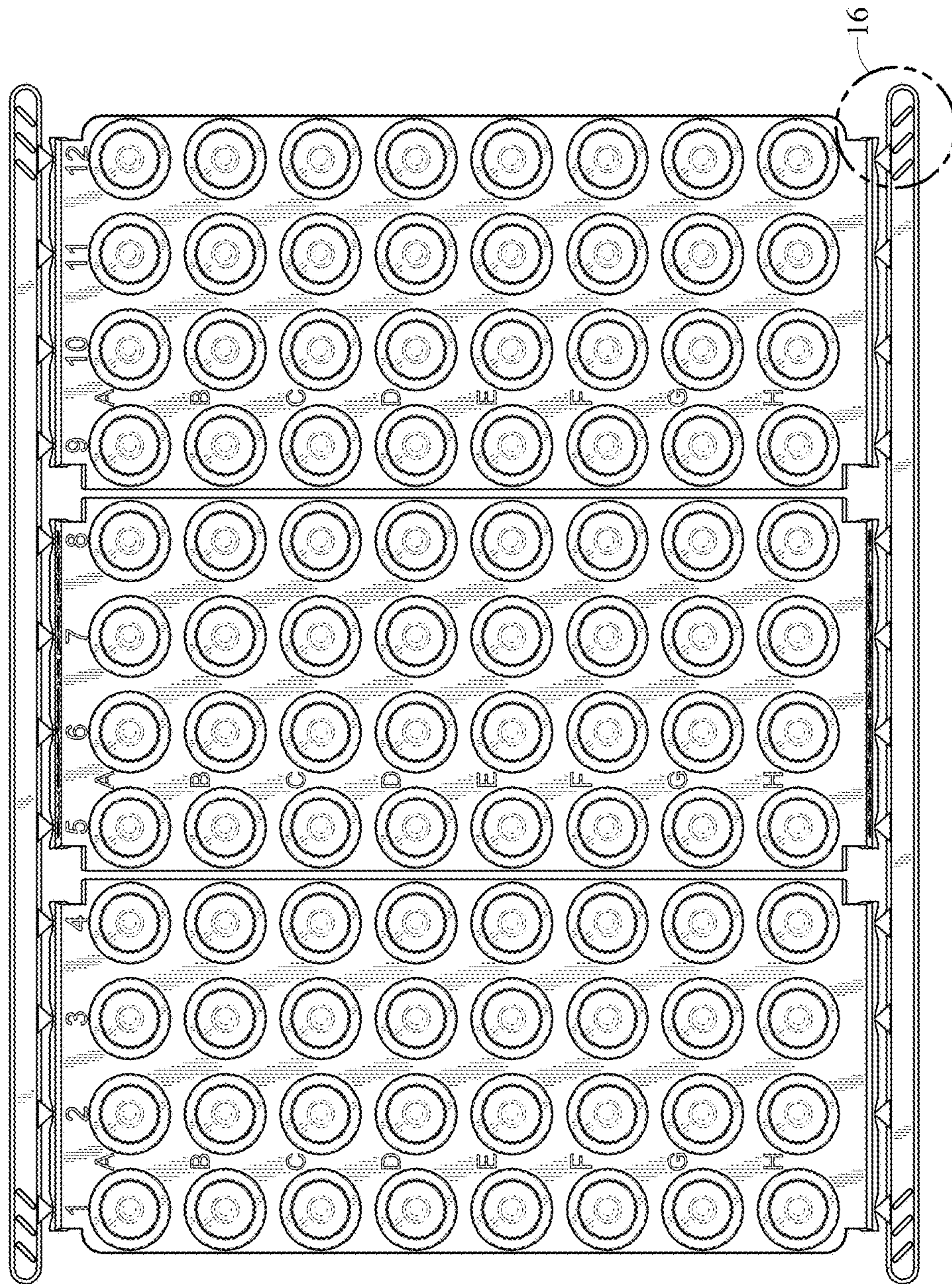


FIG. 15



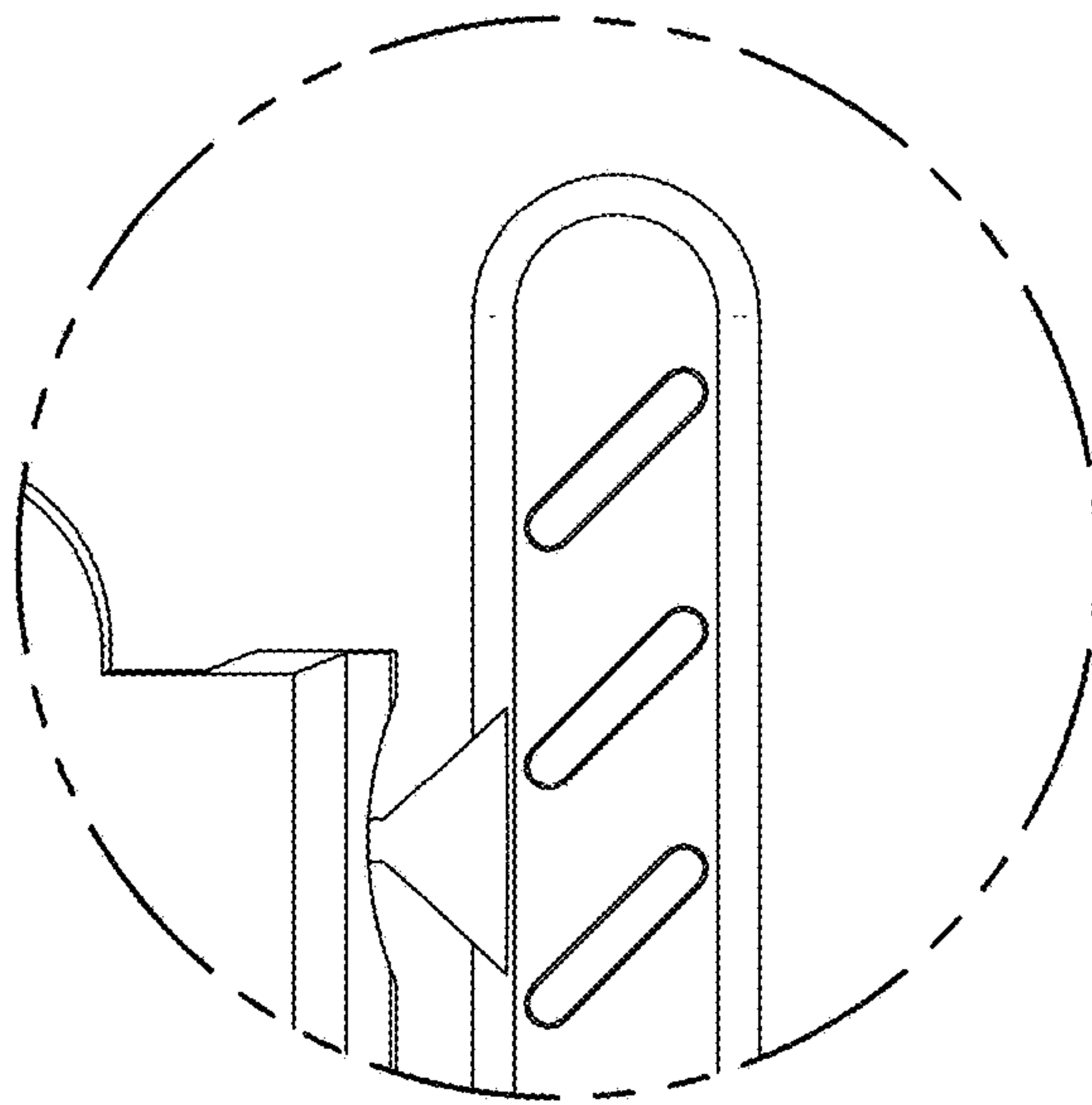


FIG. 16

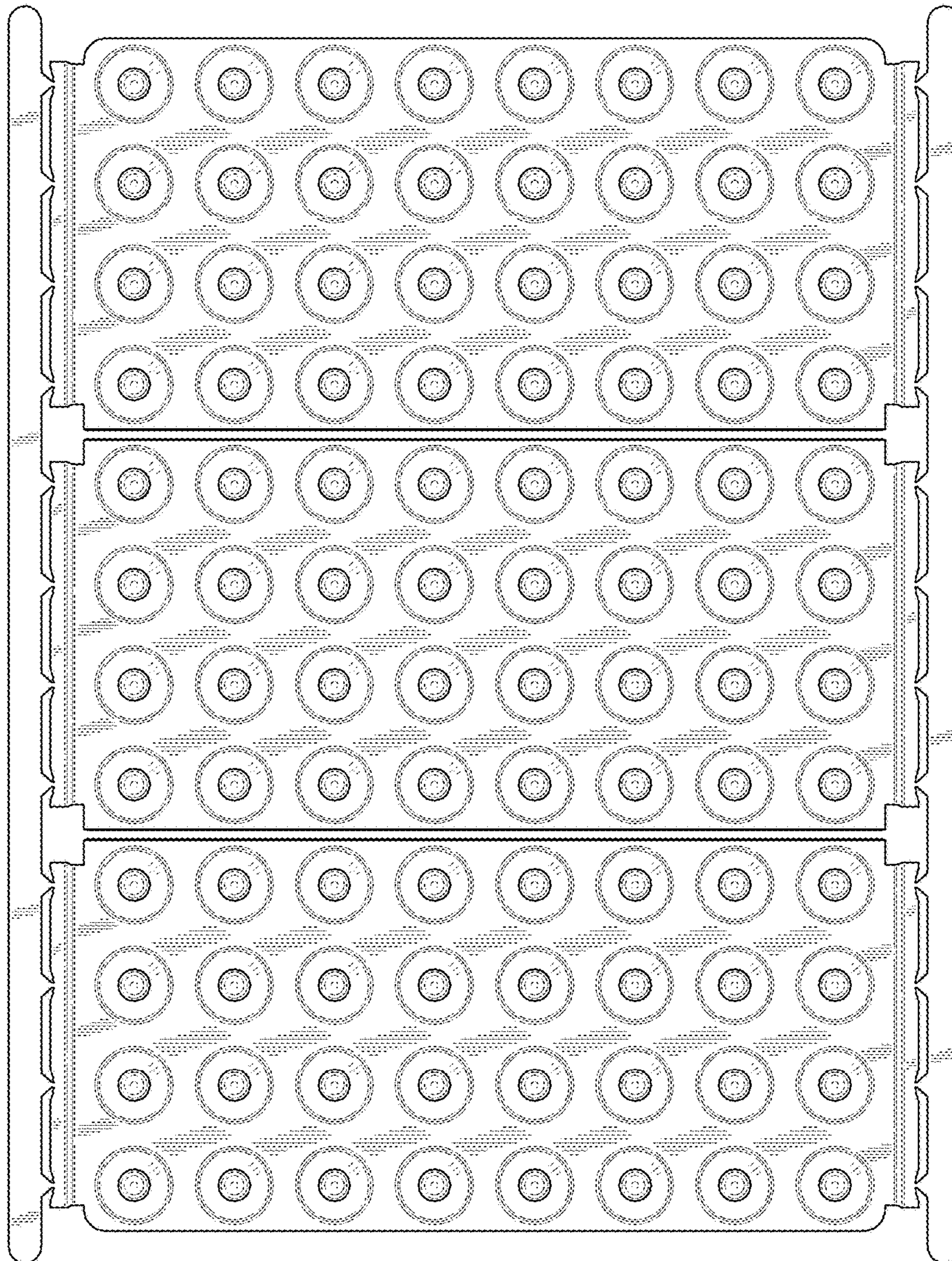


FIG. 17



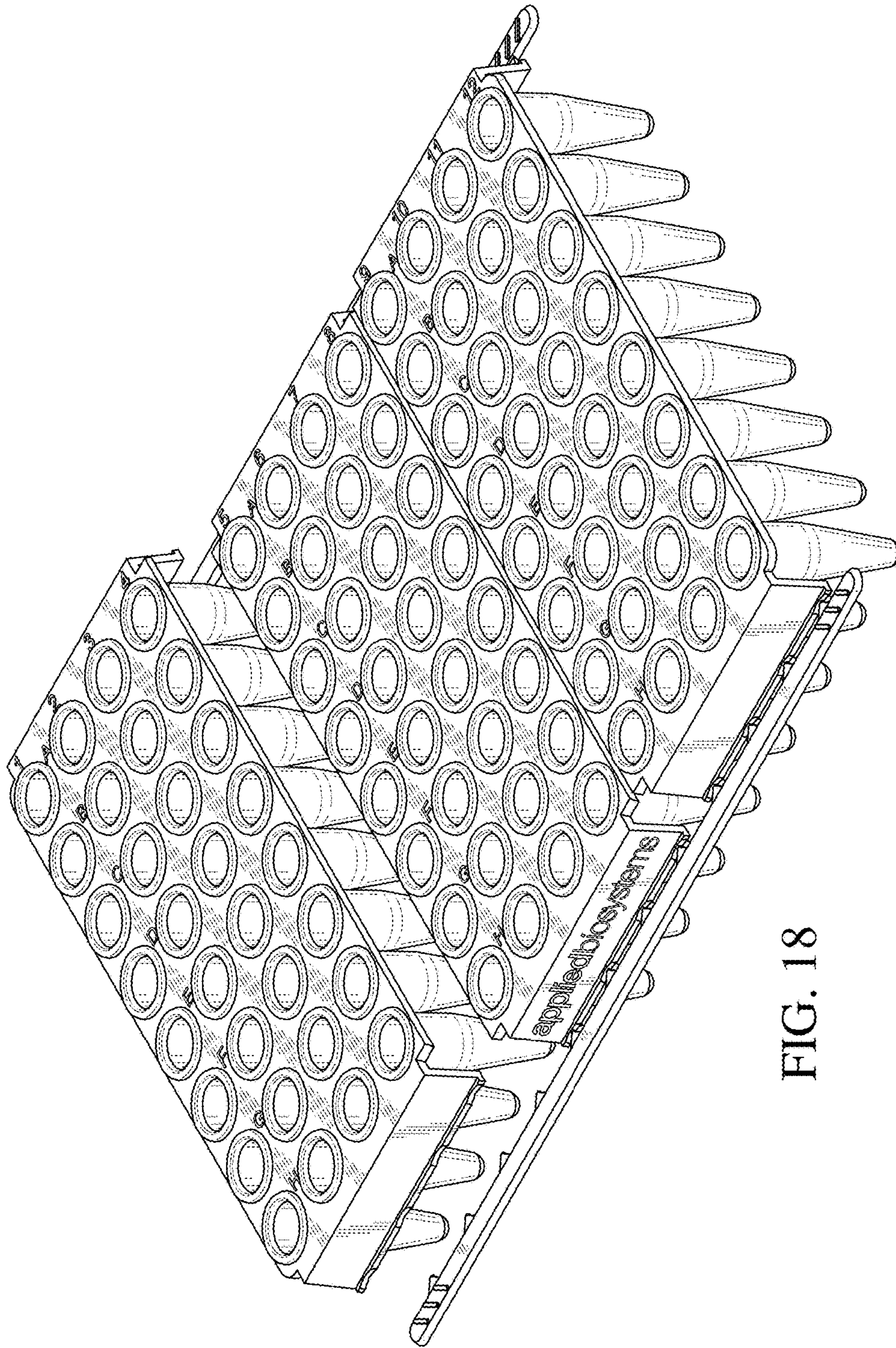


FIG. 18



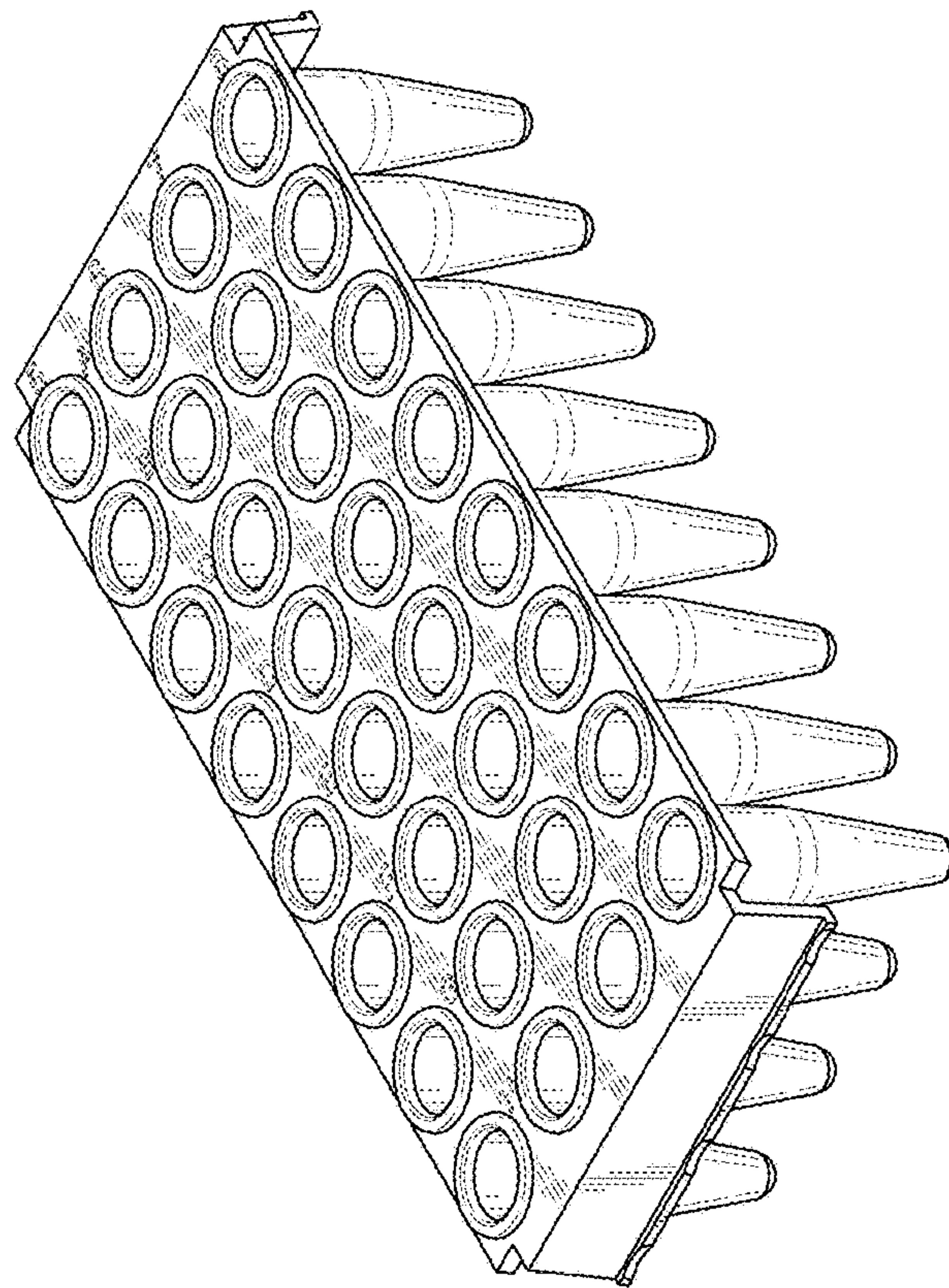


FIG. 19

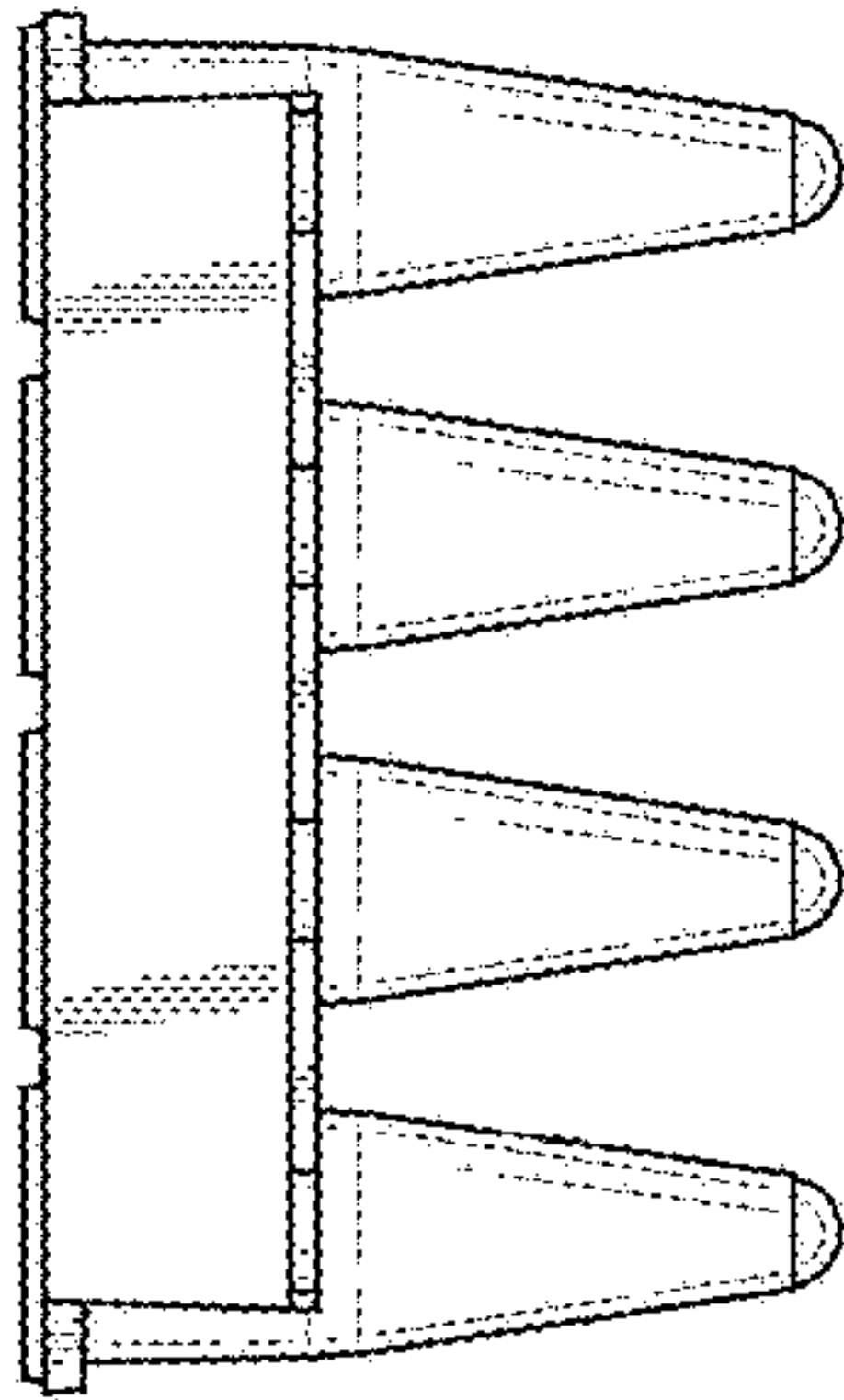


FIG. 20

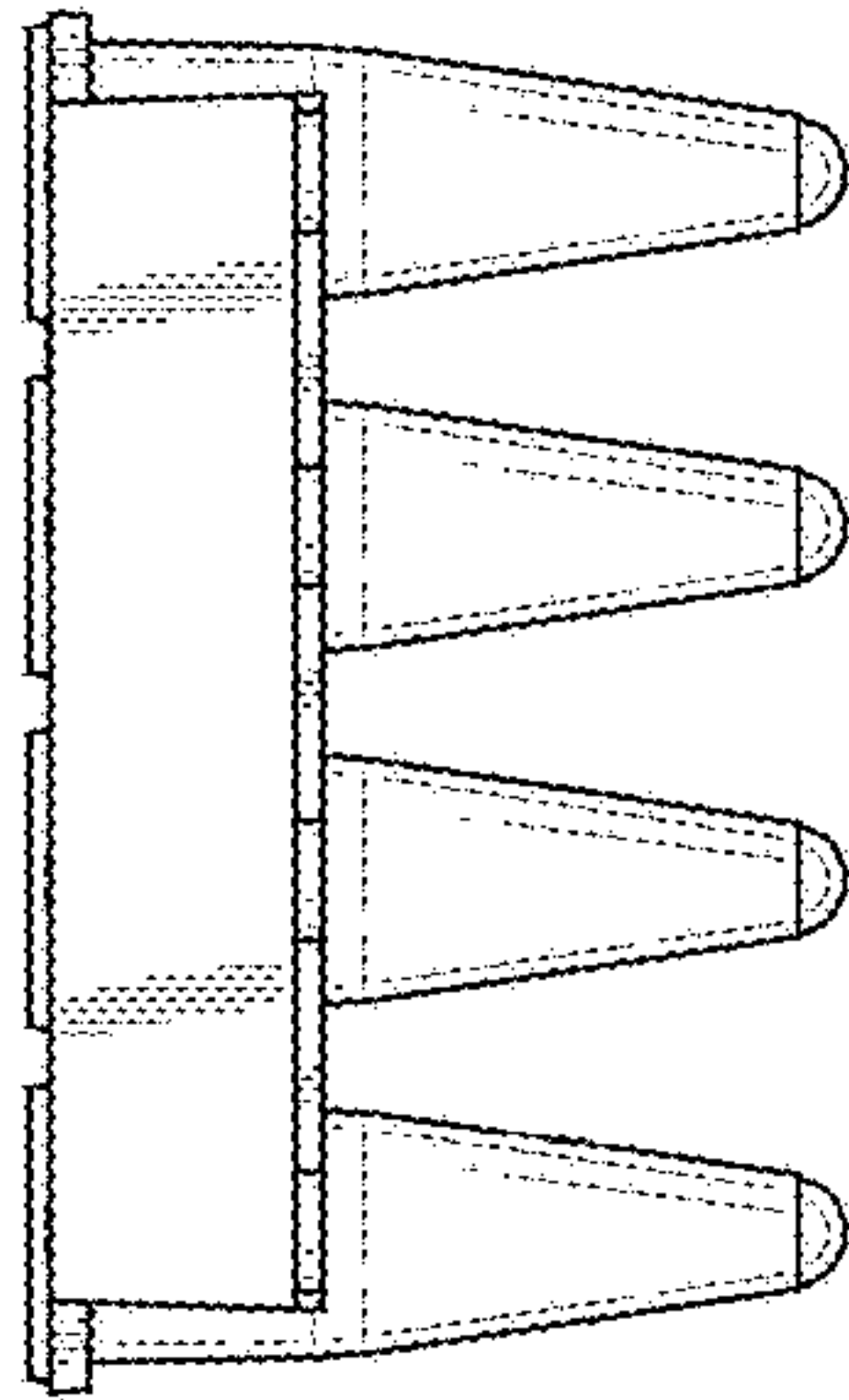


FIG. 21



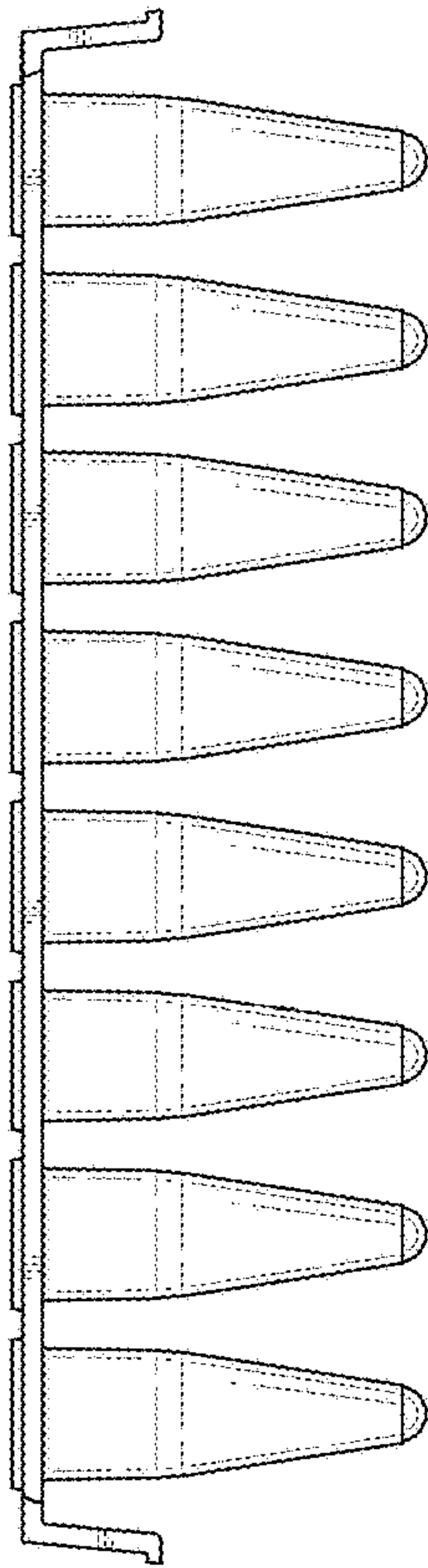


FIG. 22

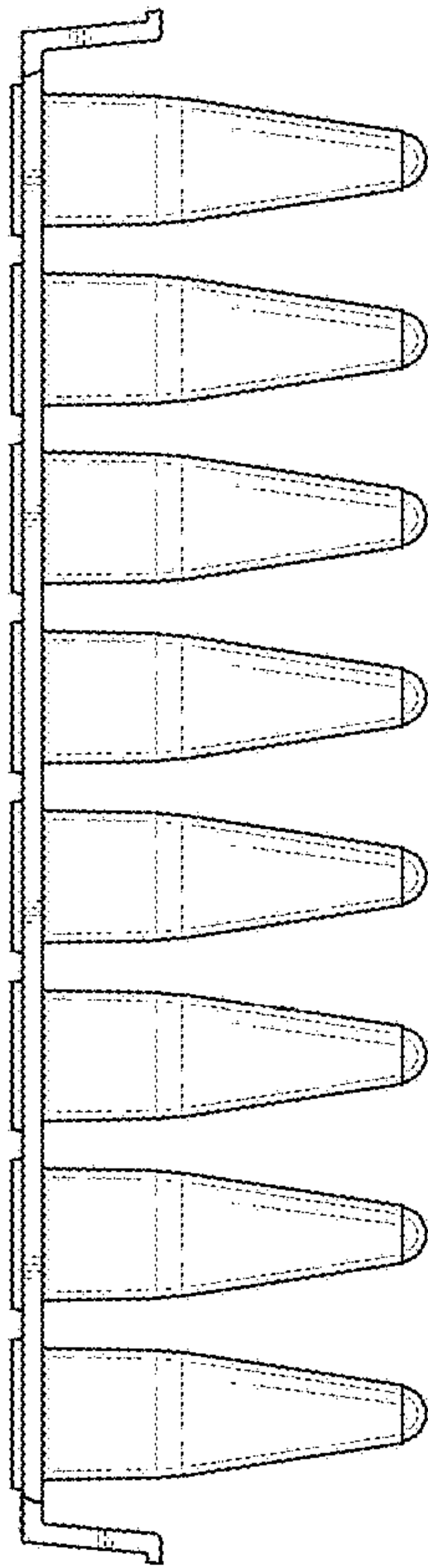


FIG. 23

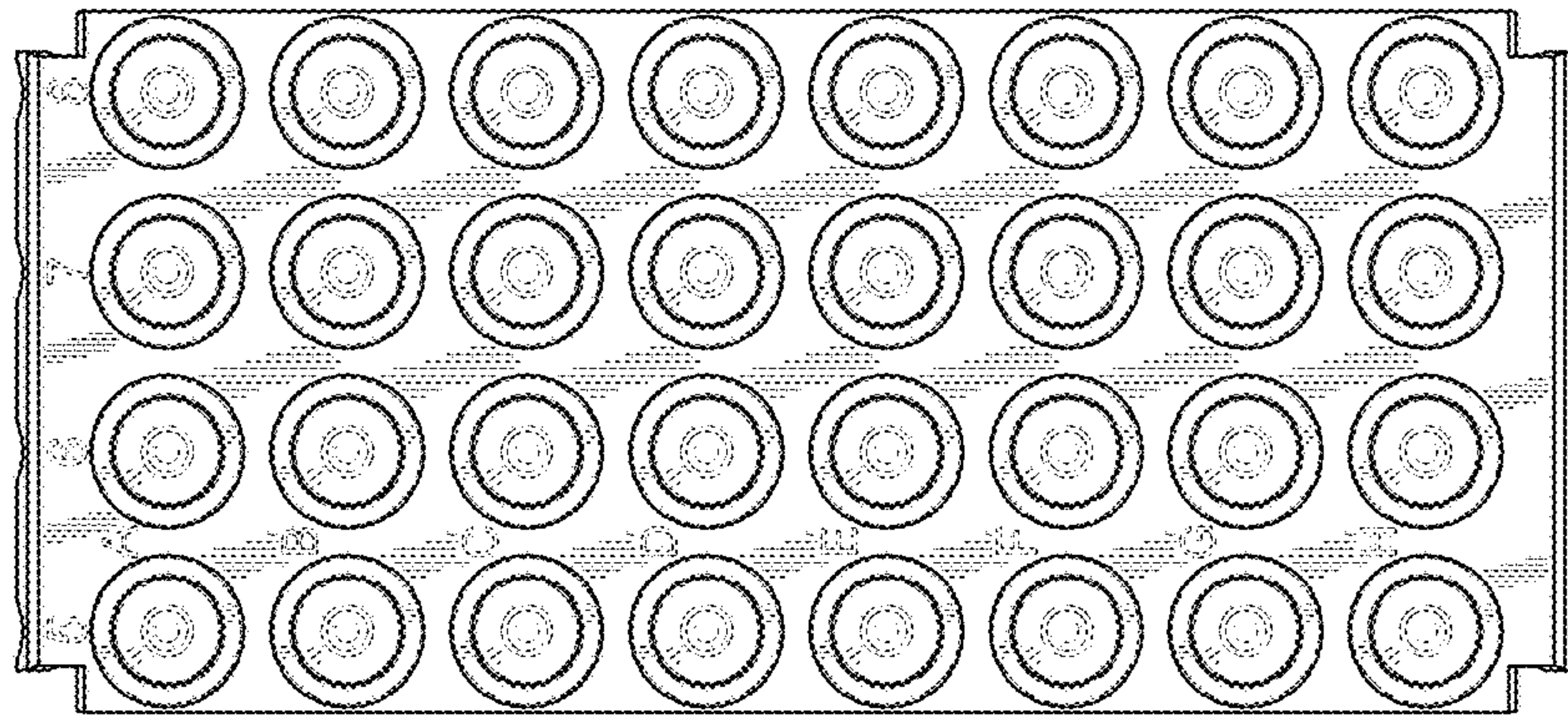


FIG. 24



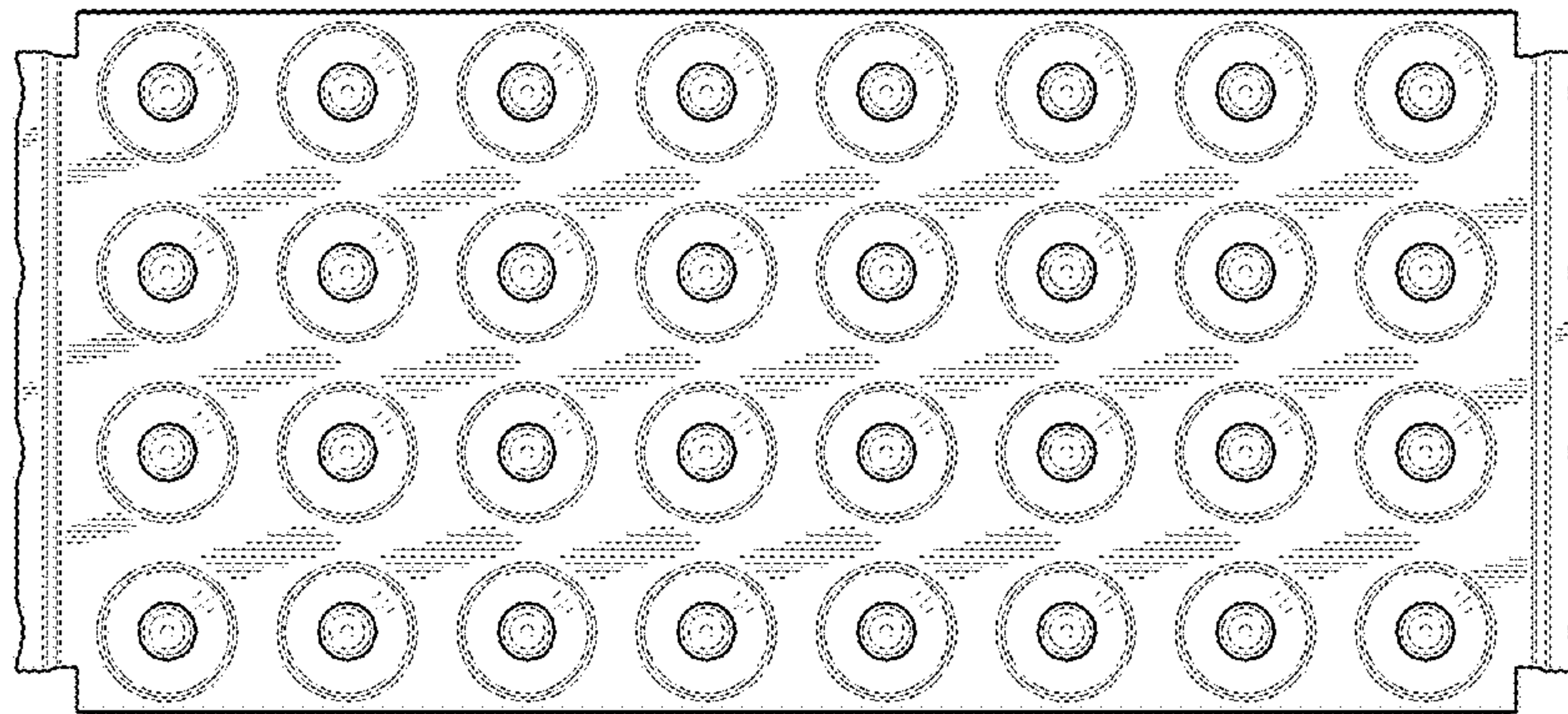


FIG. 25