

US00D848637S

(12) **United States Design Patent** (10) **Patent No.:** **US D848,637 S**
Schulz et al. (45) **Date of Patent:** **** *May 14, 2019**

(54) **CARTRIDGE FOR AN ANALYSIS UNIT**

(71) Applicant: **Robert Bosch GmbH**, Stuttgart (DE)

(72) Inventors: **Martin Schulz**, Winterbach (DE);
Fabian Baumann, Augsburg (DE);
Jochen Rupp, Stuttgart (DE); **Anette Ströh**, Berlin (DE); **Christian Dorrer**, Winnenden (DE); **Karsten Seidl**, Gerlingen (DE); **Stephan Rein**, Augsburg (DE)

(73) Assignee: **Robert Bosch GmbH**, Stuttgart (DE)

(*) Notice: This patent is subject to a terminal disclaimer.

(**) Term: **15 Years**

(21) Appl. No.: **29/603,675**

(22) Filed: **May 11, 2017**

(30) **Foreign Application Priority Data**

Nov. 11, 2016 (EM) 003459379

(51) **LOC (11) Cl.** **24-01**

(52) **U.S. Cl.**
USPC **D24/224**

(58) **Field of Classification Search**
USPC D24/216, 223–225, 231, 232, 186, 107,
D24/108, 121; D10/81; 422/503, 551,
(Continued)

(56) **References Cited**

U.S. PATENT DOCUMENTS

D302,294 S * 7/1989 Hillman D24/223
D382,647 S * 8/1997 Staples D24/216
(Continued)

Primary Examiner — Anhdao Doan

Assistant Examiner — Mary Shannon Malley

(74) *Attorney, Agent, or Firm* — Maginot, Moore & Beck LLP

(57) **CLAIM**

The ornamental design for a cartridge for an analysis unit, as shown and described.

DESCRIPTION

Cross reference is made to copending U.S. design patent application Ser. No. 29/603,668 entitled “Analysis Unit” by Schulz et al., which was filed on even date herewith; U.S. design patent application Ser. No. 29/603,670 entitled “Cartridge for an Analysis Unit” by Schulz et al., which was filed on even date herewith; U.S. design patent application Ser. No. 29/603,677 entitled “Cartridge for an Analysis Unit” by Schulz et al., which was filed on even date herewith; and U.S. design patent application Ser. No. 29/603,681 entitled “Cartridge for an Analysis Unit” by Schulz et al., which was filed on even date herewith.

FIG. 1 is a perspective view of a cartridge for an analysis unit showing our new design;

FIG. 2 is a front elevational view of the cartridge for an analysis unit of FIG. 1;

FIG. 3 is a rear elevational view of the cartridge for an analysis unit of FIG. 1;

FIG. 4 is a left side elevational view of the cartridge for an analysis unit of FIG. 1;

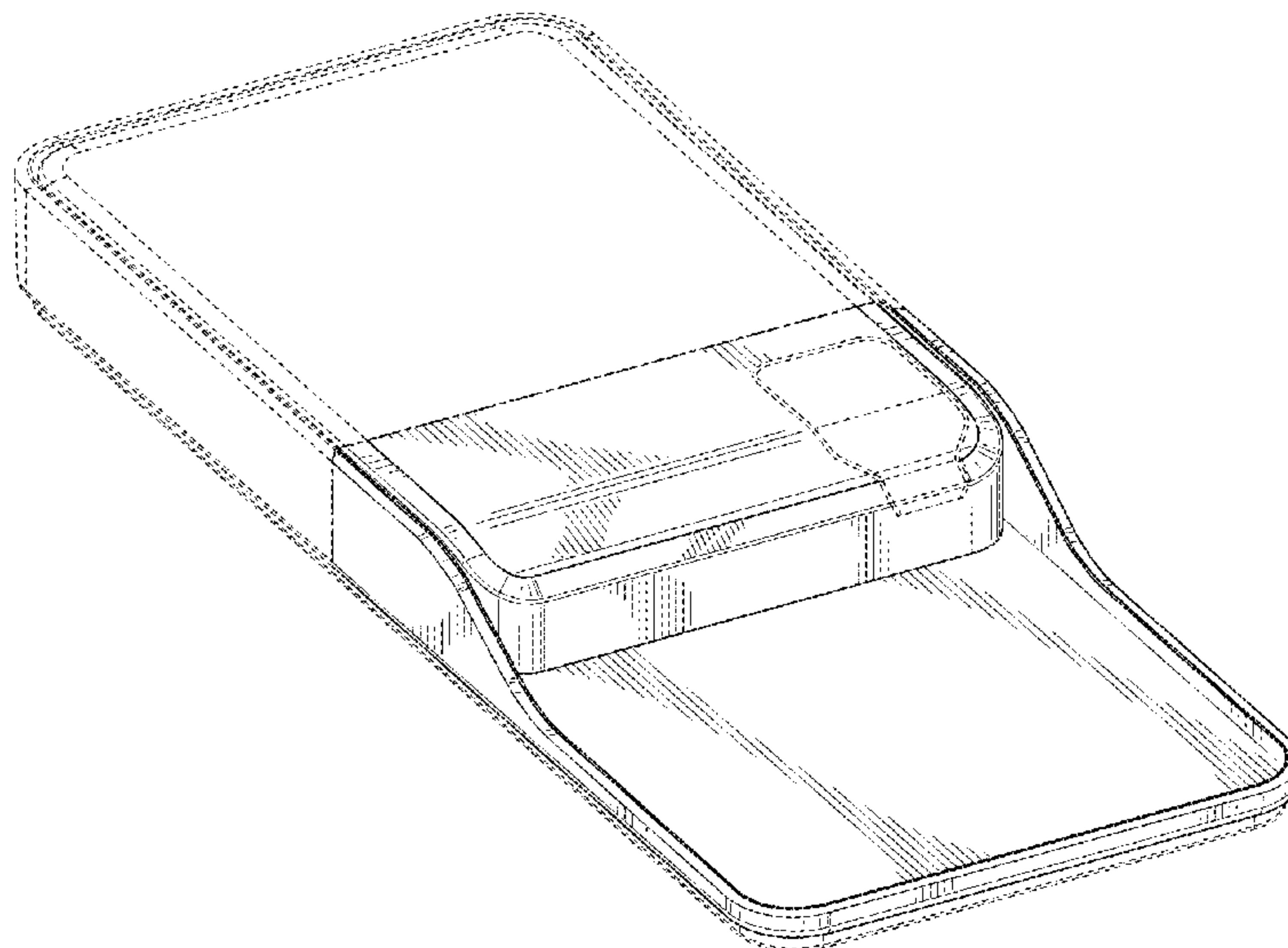
FIG. 5 is a right side elevational view of the cartridge for an analysis unit of FIG. 1;

FIG. 6 is a top plan view of the cartridge for an analysis unit of FIG. 1; and,

FIG. 7 is a bottom plan view of the cartridge for an analysis unit of FIG. 1.

The broken lines shown in the drawings illustrate portions of the cartridge for an analysis unit that form no part of the claimed design.

1 Claim, 5 Drawing Sheets



(58) **Field of Classification Search**

USPC 422/554; 435/287.2, 287.3, 288.3, 288.4,
435/288.5; 436/808-809
CPC B01L 3/5027; B01L 3/502707
See application file for complete search history.

(56) **References Cited**

U.S. PATENT DOCUMENTS

6,495,016 B1 * 12/2002 Nawracala B01F 13/0001
204/604
D495,805 S * 9/2004 Lea D24/216
D672,042 S * 12/2012 Delaey D24/169
D702,364 S * 4/2014 Iqbal D24/225
D706,930 S * 6/2014 Lin D24/216
D739,553 S * 9/2015 Yang D24/232
2009/0023201 A1 * 1/2009 Hongo B01L 3/50273
435/287.2
2009/0170189 A1 * 7/2009 Park B29C 65/08
435/288.7
2012/0178178 A1 * 7/2012 Choi G01N 21/77
436/177
2013/0156644 A1 * 6/2013 Lee G01N 29/022
422/69
2013/0302809 A1 * 11/2013 Bru Gibert G01N 21/75
435/6.12

* cited by examiner

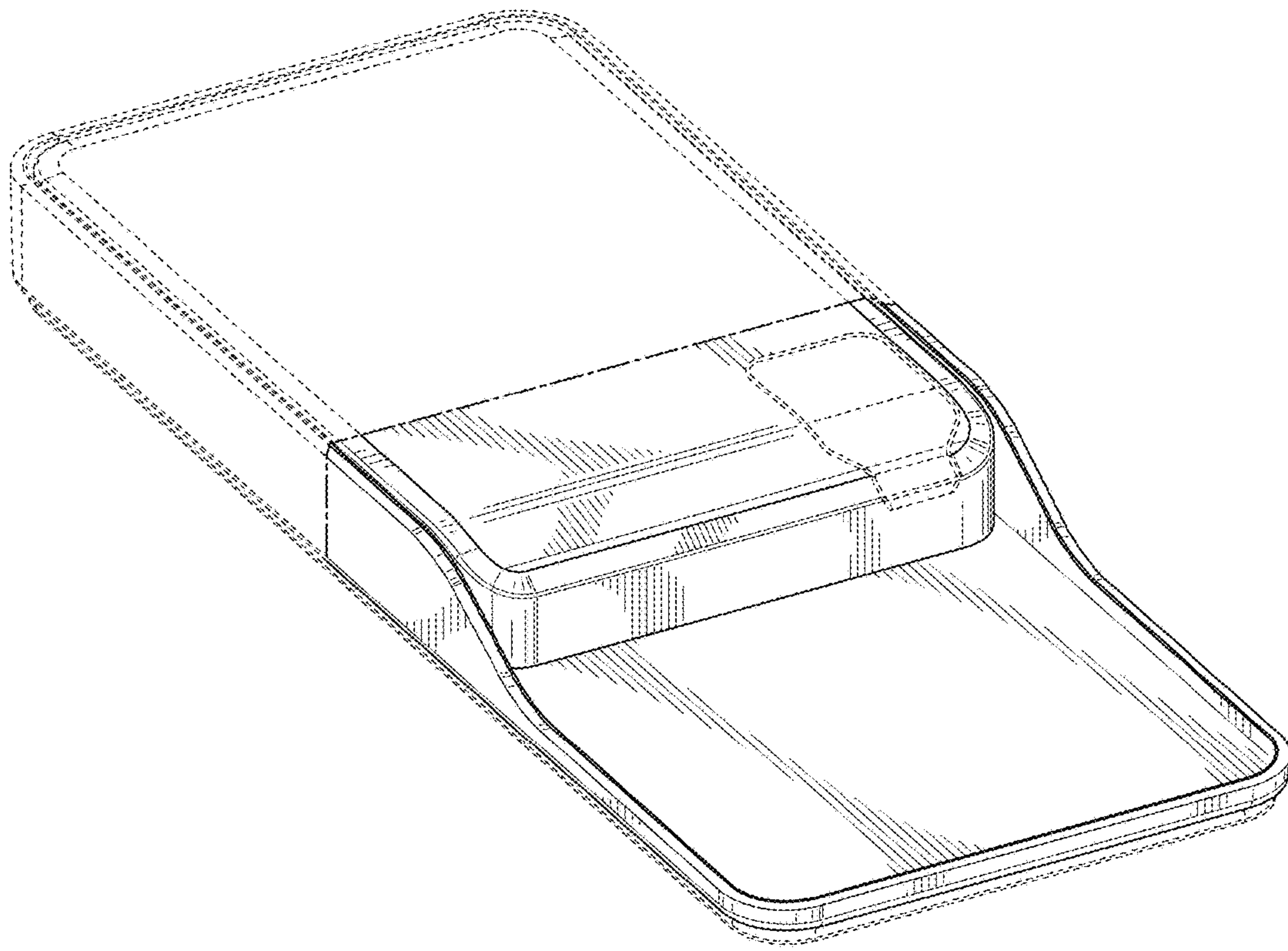


FIG. 1

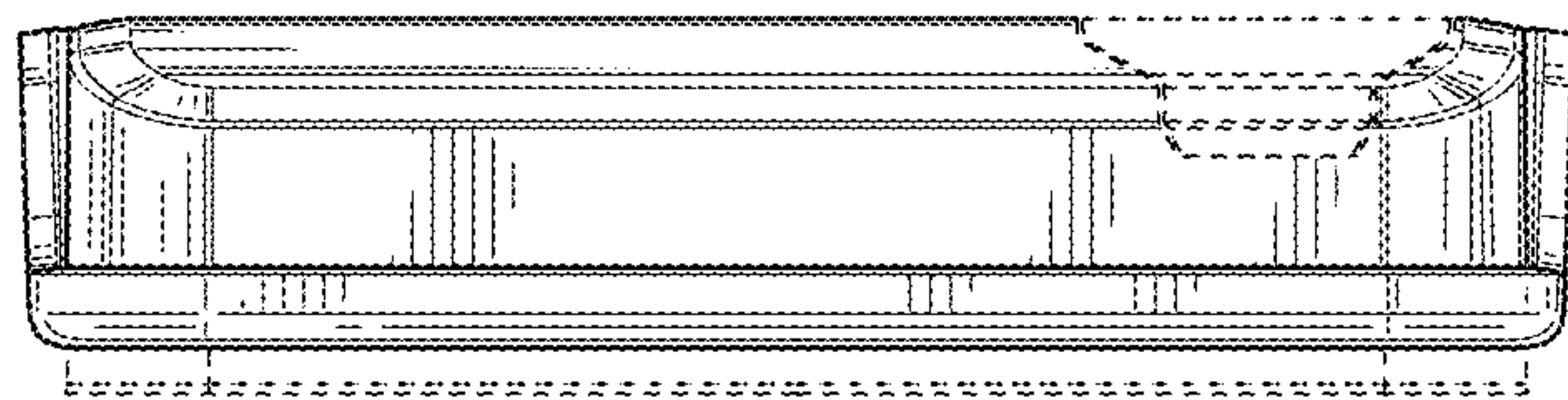


FIG. 2

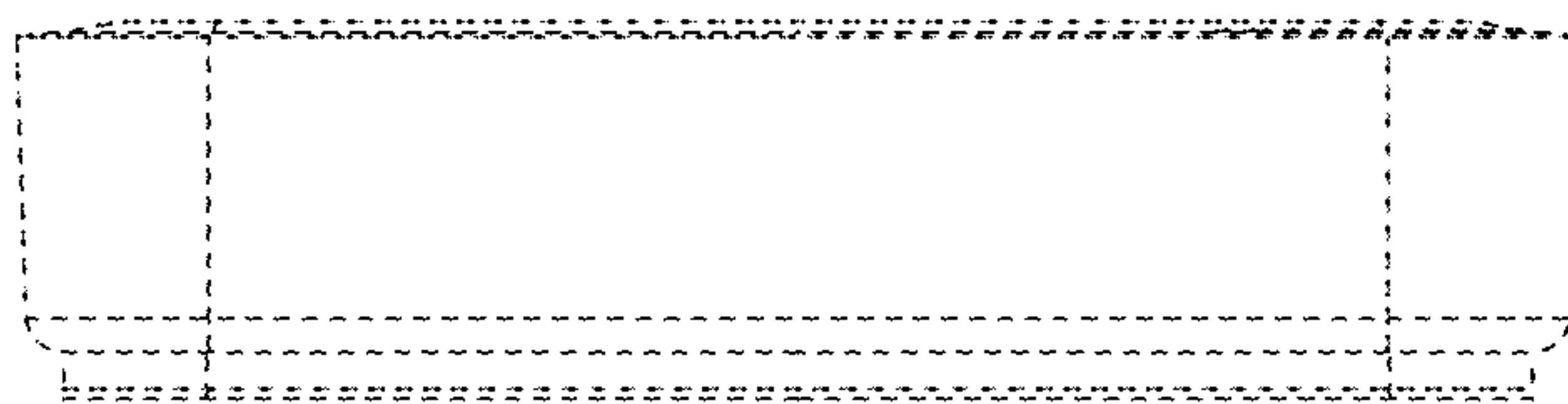


FIG. 3

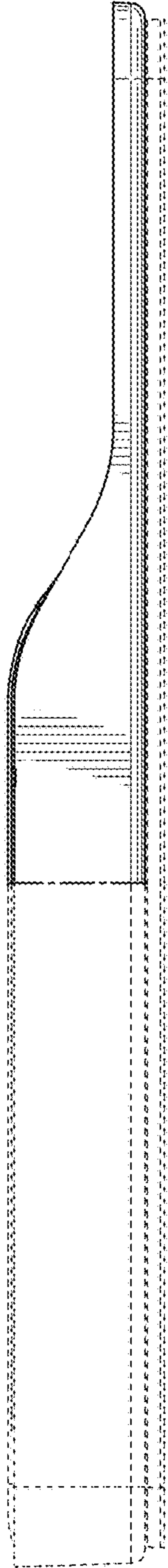


FIG. 4

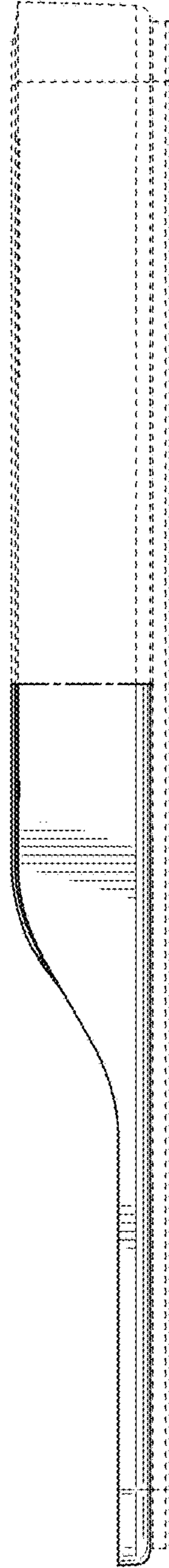


FIG. 5

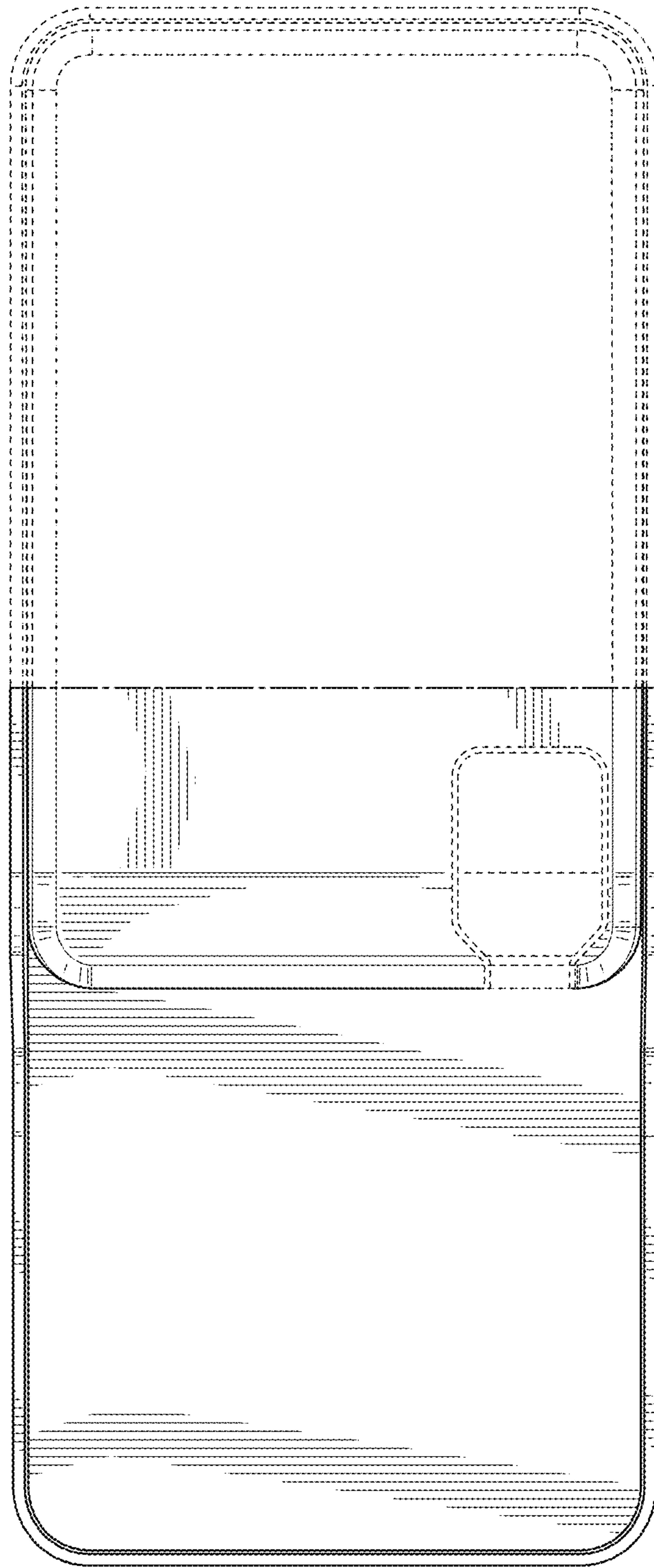


FIG. 6

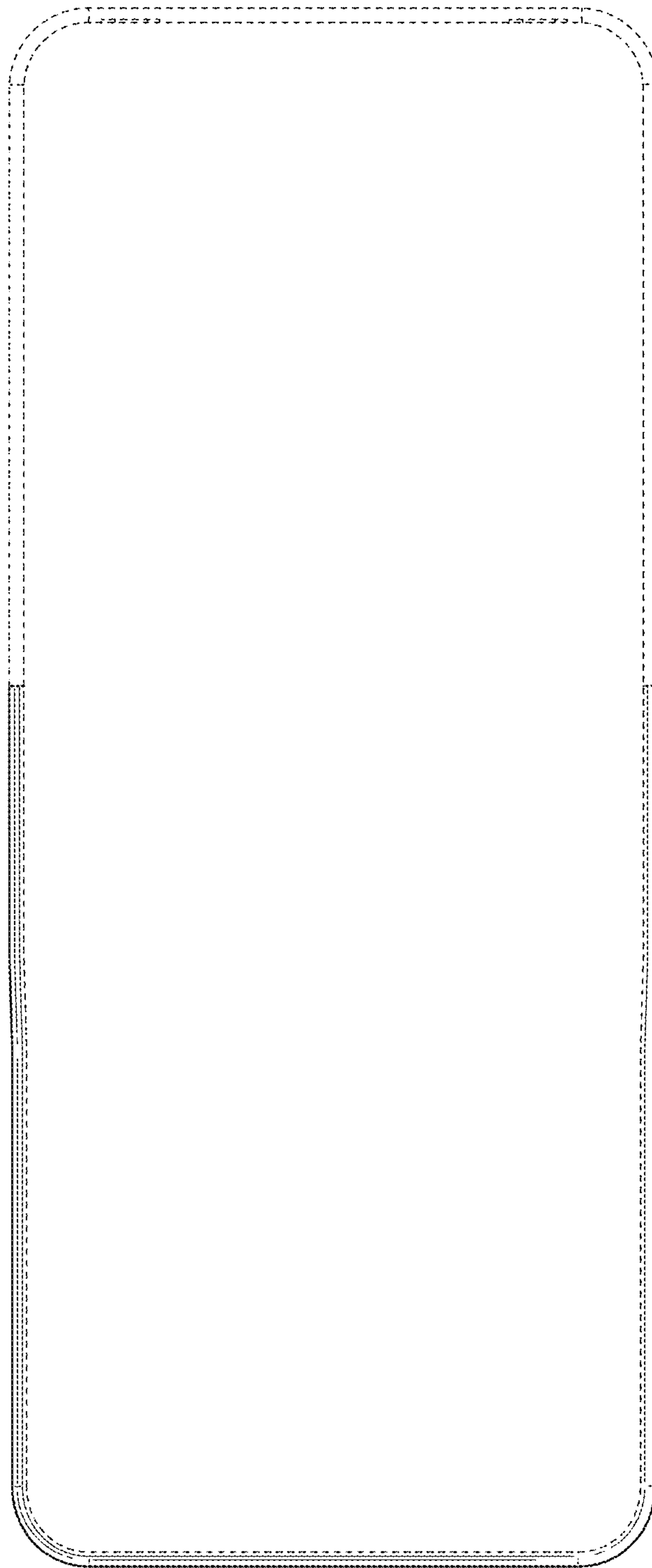


FIG. 7