



US00D848636S

(12) **United States Design Patent** (10) **Patent No.:** **US D848,636 S**
Kraemer et al. (45) **Date of Patent:** **** May 14, 2019**

(54) **REAGENT CONTAINER**

FOREIGN PATENT DOCUMENTS

(71) Applicant: **Roche Diagnostics Operations, Inc.**,
Indianapolis, IN (US)
(72) Inventors: **Reinhold Kraemer**, Peissenberg (DE);
Stephan Sattler, Starnberg (DE)
(73) Assignee: **Roche Diagnostics Operations, Inc.**,
Indianapolis, IN (US)

EP 2333563 A1 6/2011
Primary Examiner — Anhdao Doan
Assistant Examiner — Mary Shannon Malley
(74) *Attorney, Agent, or Firm* — Dinsmore & Shohl, LLP

(57) **CLAIM**

The ornamental design for a reagent container, as shown and described.

(**) Term: **15 Years**

DESCRIPTION

(21) Appl. No.: **29/581,563**

FIG. 1 is a top and side perspective view of a reagent container according to a first embodiment;
FIG. 2 is a bottom and another side perspective view of the reagent container according to the first embodiment;
FIG. 3 is a side view of the reagent container according to the first embodiment;
FIG. 4 is another side view of the reagent container plate according to the first embodiment;
FIG. 5 is a top view of the reagent container according to the first embodiment;
FIG. 6 is bottom view of the reagent container according to the first embodiment;
FIG. 7 is a top and side perspective view of a reagent container according to a second embodiment;
FIG. 8 is a bottom and another side perspective view of the reagent container according to the second embodiment;
FIG. 9 is a side view of the reagent container according to the second embodiment;
FIG. 10 is another side view of the reagent container plate according to the second embodiment;
FIG. 11 is a top view of the reagent container according to the second embodiment; and,
FIG. 12 is bottom view of the reagent container according to the second embodiment.

(22) Filed: **Oct. 20, 2016**

(30) **Foreign Application Priority Data**

Oct. 20, 2015 (EP) 15190569
Oct. 17, 2016 (EM) 003421429-0001
Oct. 17, 2016 (EM) 003421429-0002
Oct. 17, 2016 (EM) 003421429-0003
Oct. 17, 2016 (EM) 003421429-0004
Oct. 17, 2016 (EM) 003421429-0005
Oct. 17, 2016 (EM) 003421429-0006

(Continued)

(51) **LOC (11) Cl.** **24-01**

(52) **U.S. Cl.**
USPC **D24/224**

(58) **Field of Classification Search**
USPC D24/169, 216, 222–226, 231–232;
D10/80–81

(Continued)

(56) **References Cited**

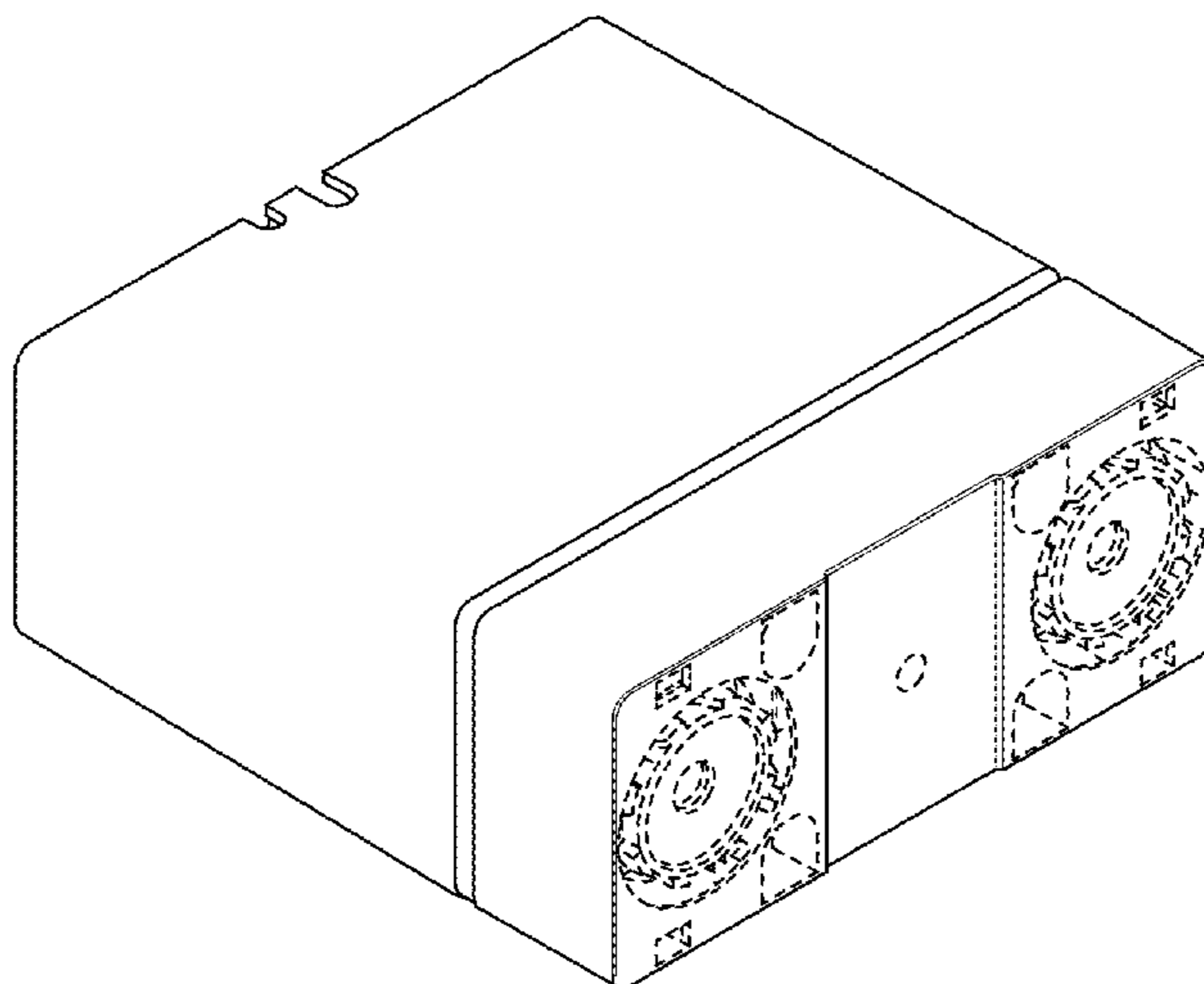
U.S. PATENT DOCUMENTS

5,578,272 A 11/1996 Koch et al.
D433,149 S 10/2000 Fassbind et al.

(Continued)

The broken lines immediately adjacent to the claimed subject matter represent the bounds of the claim, all other broken lines represent the environment. None of the broken lines form part of the claimed design.

1 Claim, 6 Drawing Sheets



(30) **Foreign Application Priority Data**

Oct. 17, 2016 (EM) 003421429-0007
Oct. 17, 2016 (EM) 003421429-0008

(58) **Field of Classification Search**

CPC B01L 3/52; B01L 3/523; B01L 3/527
See application file for complete search history.

(56) **References Cited**

U.S. PATENT DOCUMENTS

D530,826 S * 10/2006 Rich D24/225
D533,947 S * 12/2006 Gomm D24/227
D620,603 S * 7/2010 Talmer D24/224
7,790,108 B2 9/2010 Muller et al.
D630,765 S 1/2011 Winkenbach et al.
D632,402 S 2/2011 Sattler et al.
D637,731 S 5/2011 Sattler et al.
D644,741 S 9/2011 Sattler et al.
8,529,847 B2 9/2013 Arras et al.
8,890,706 B2 11/2014 Sattler et al.
D782,060 S * 3/2017 Luoma, II D24/224
D782,062 S * 3/2017 Luoma, II D24/224
2007/0166193 A1 7/2007 Veen et al.

* cited by examiner

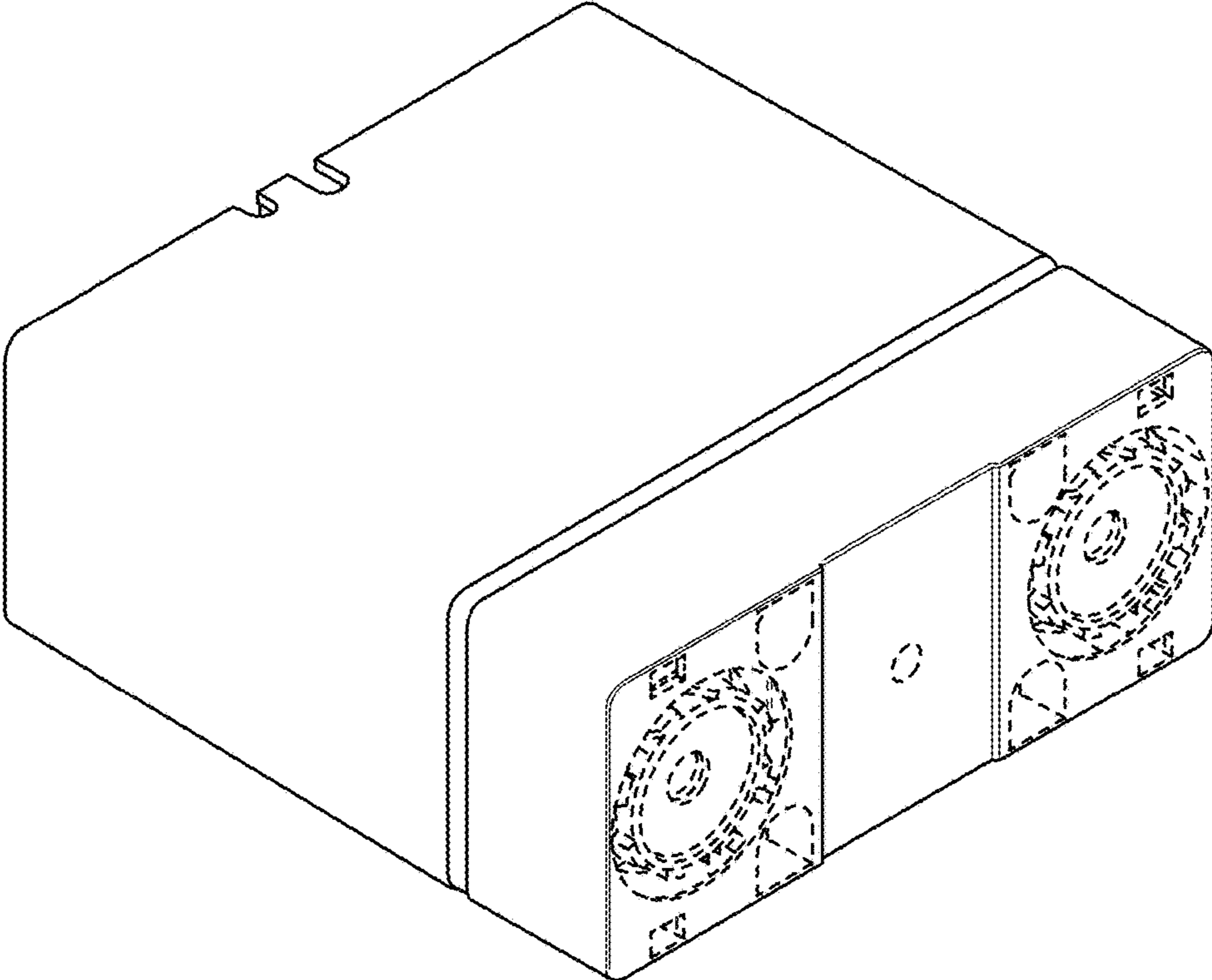


FIG. 1

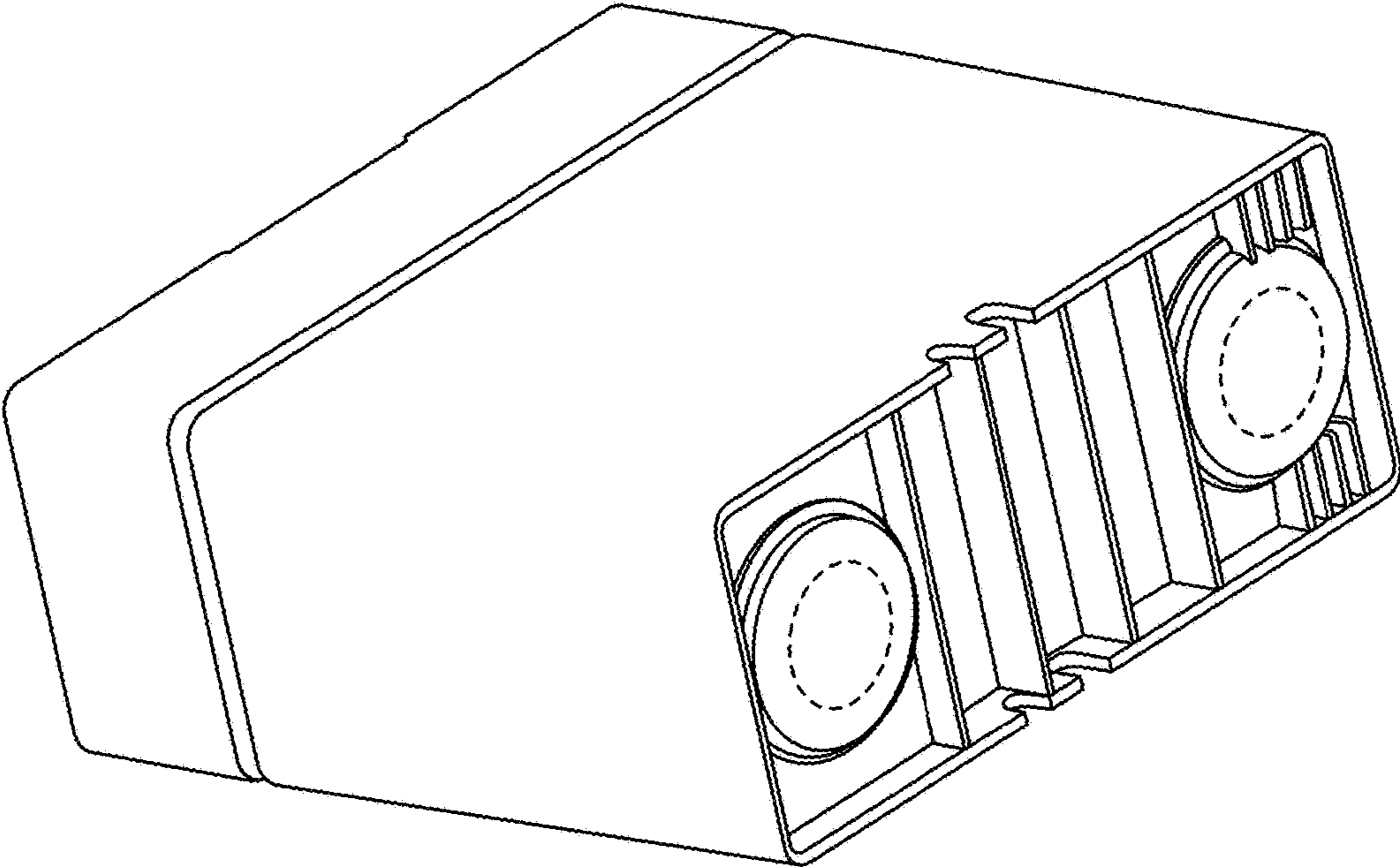


FIG. 2

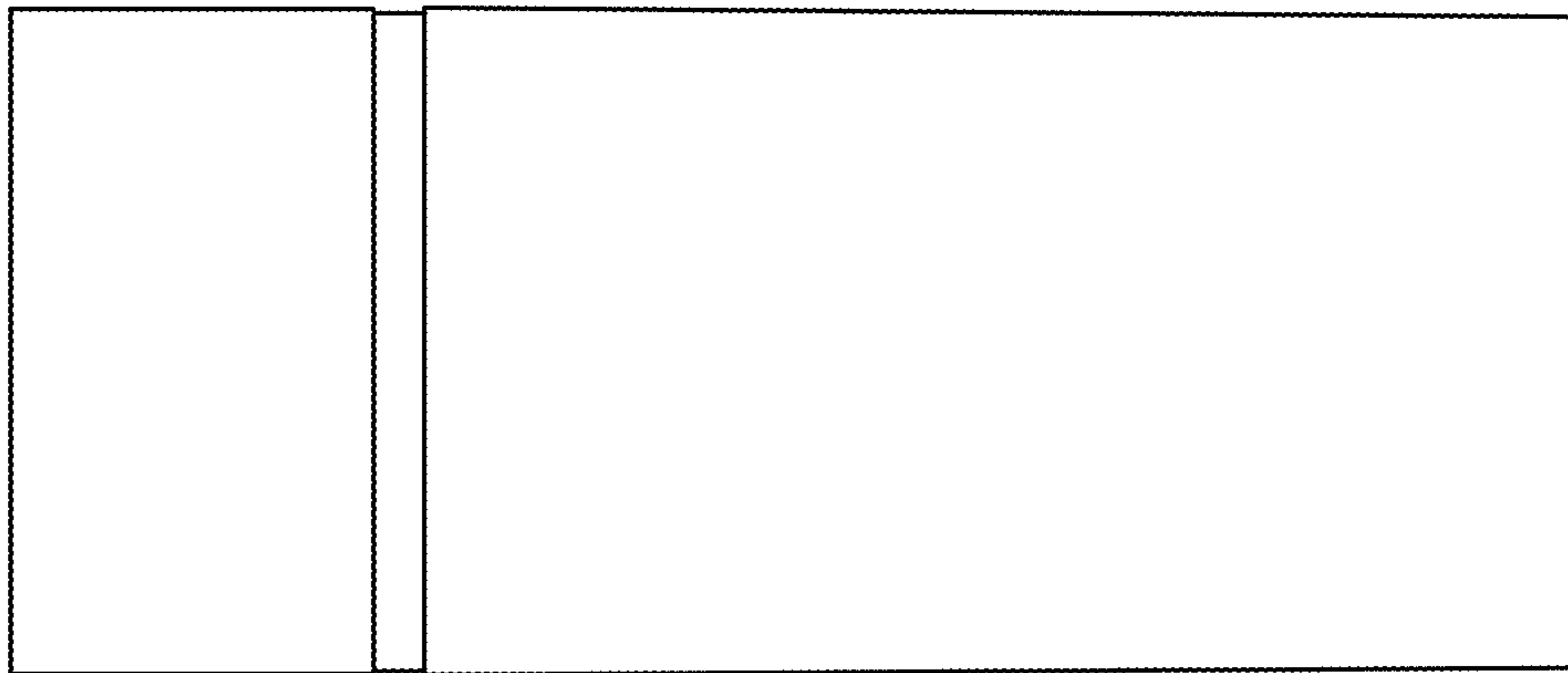


FIG. 3

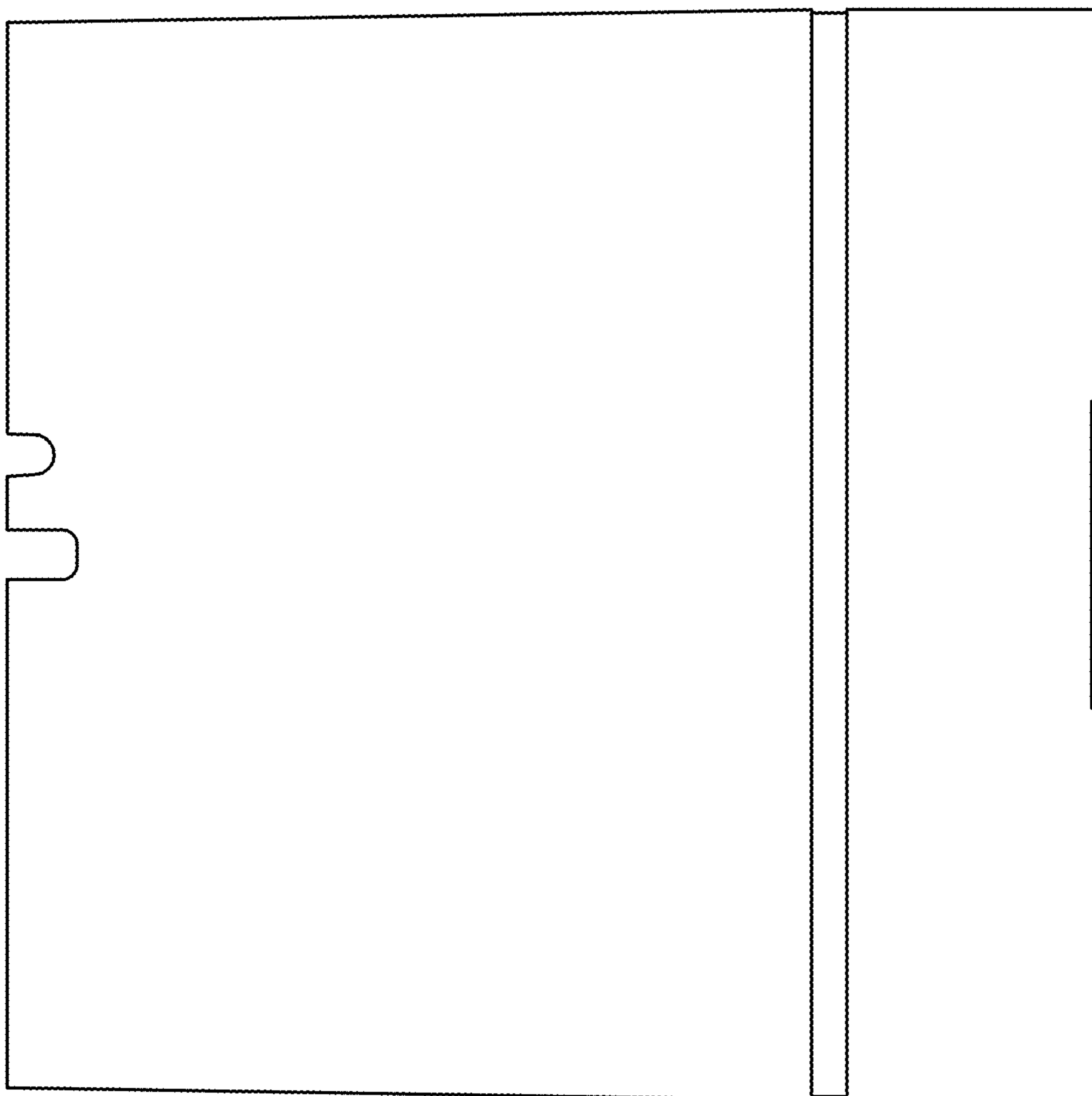


FIG. 4

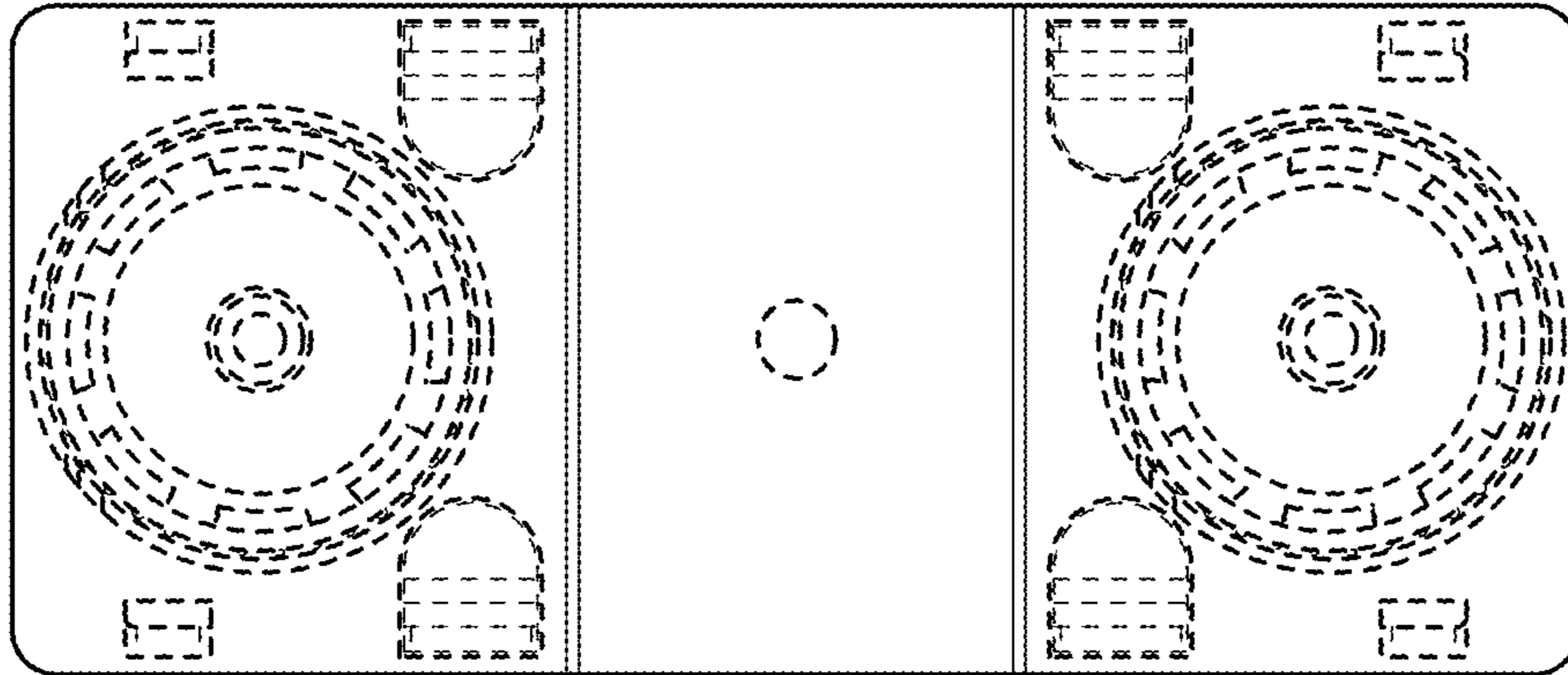


FIG. 5

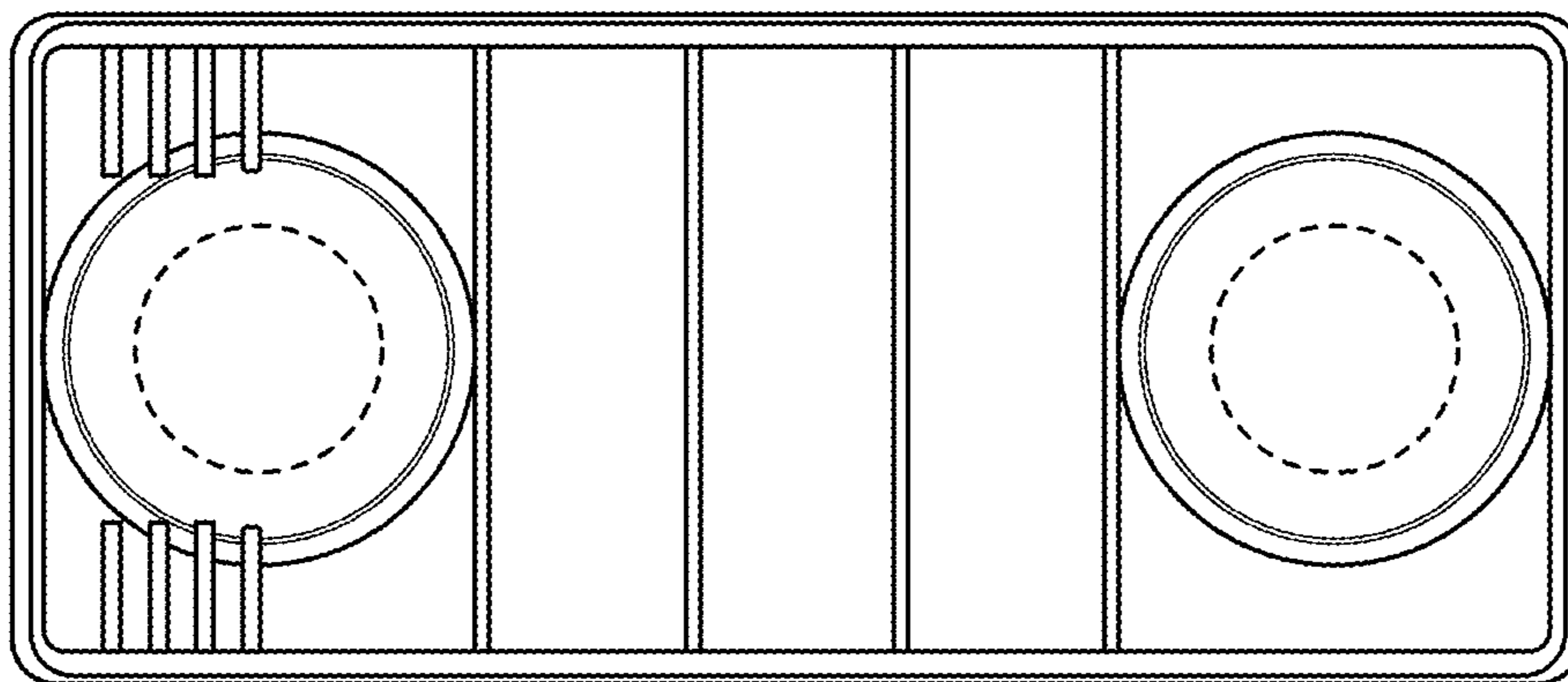


FIG. 6

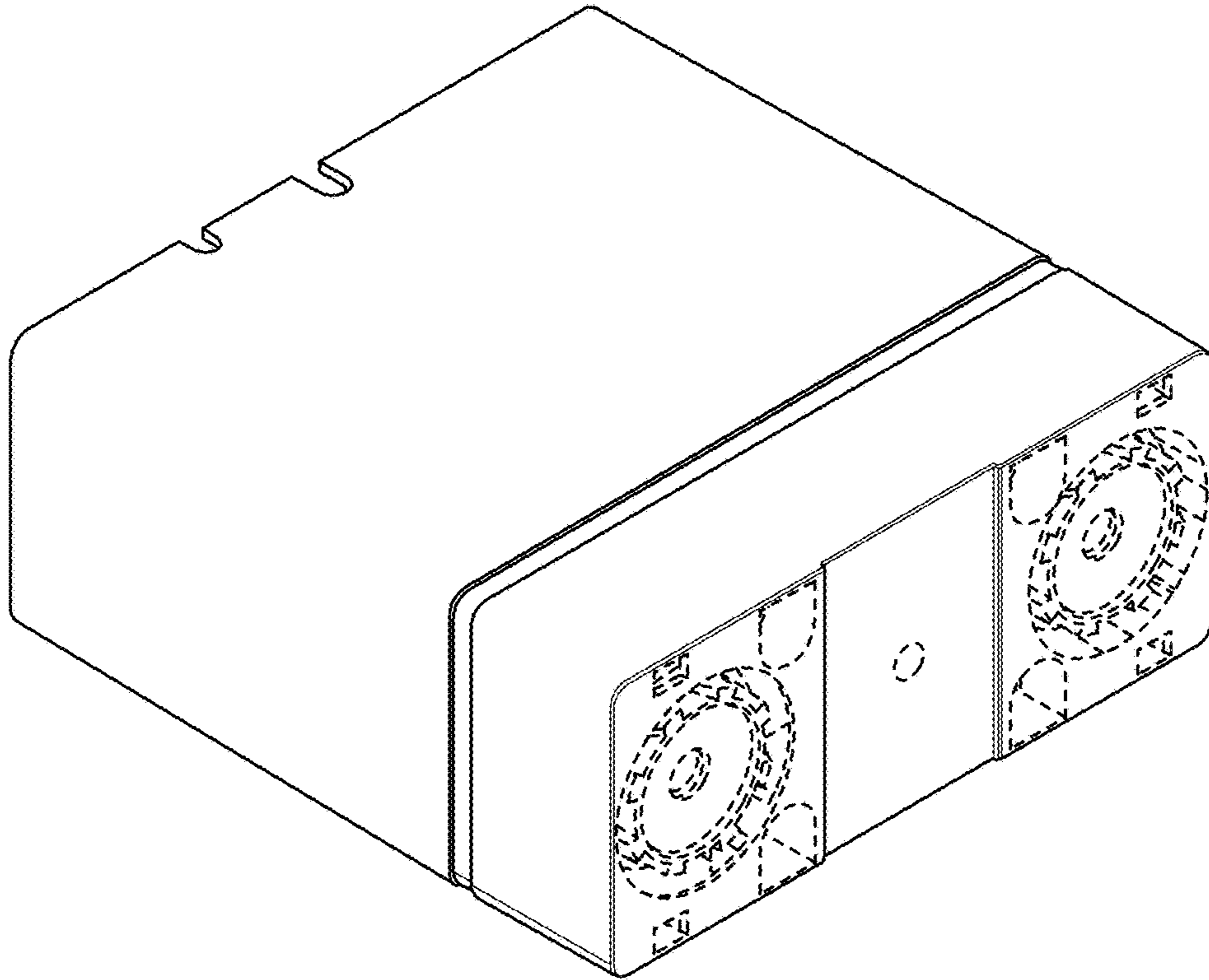


FIG. 7

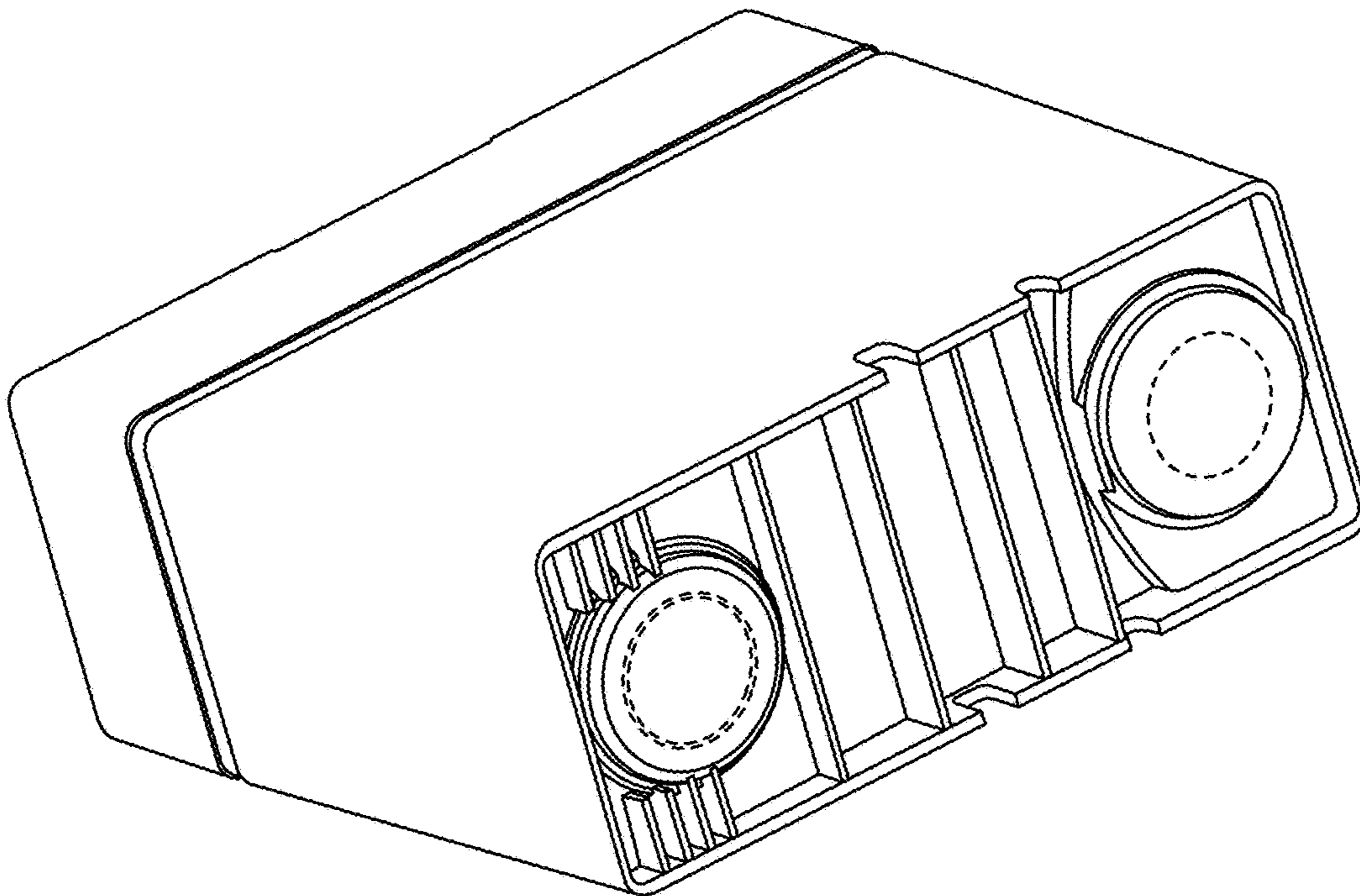


FIG. 8

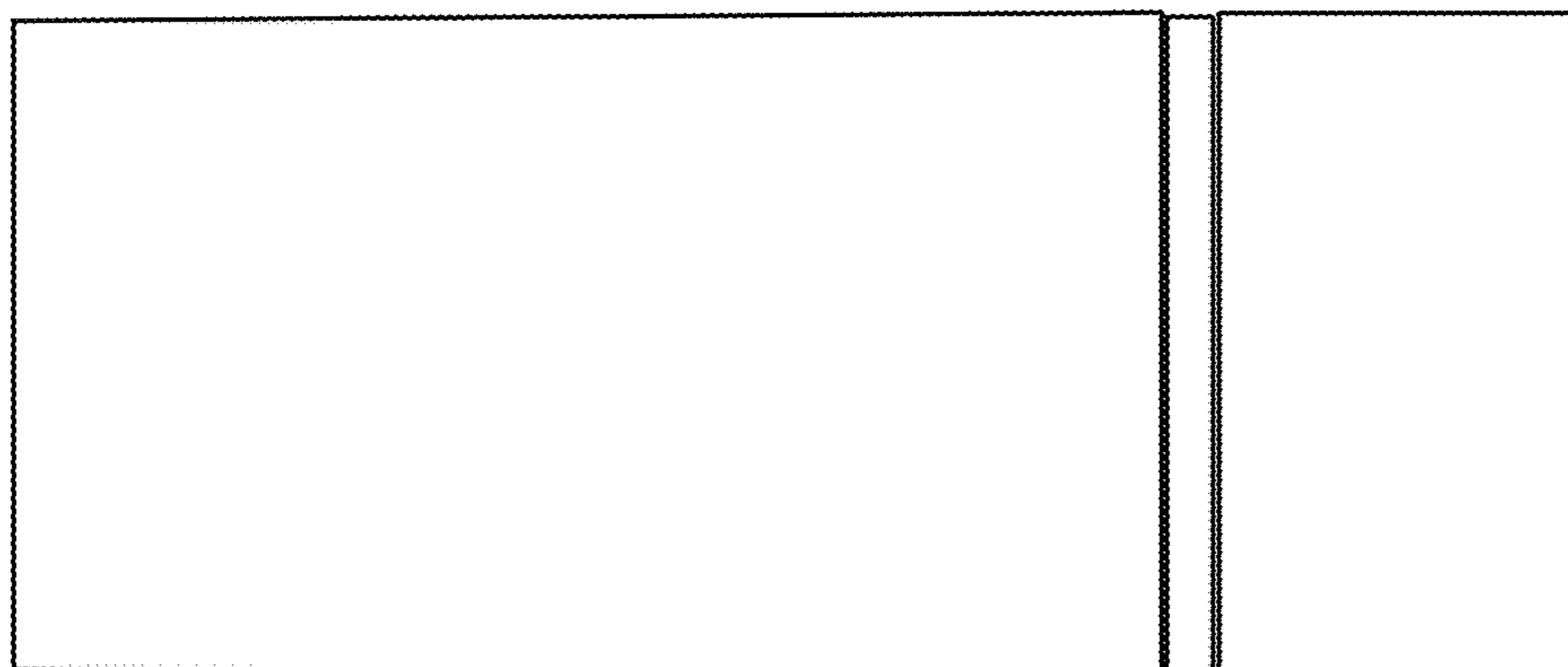


FIG. 9

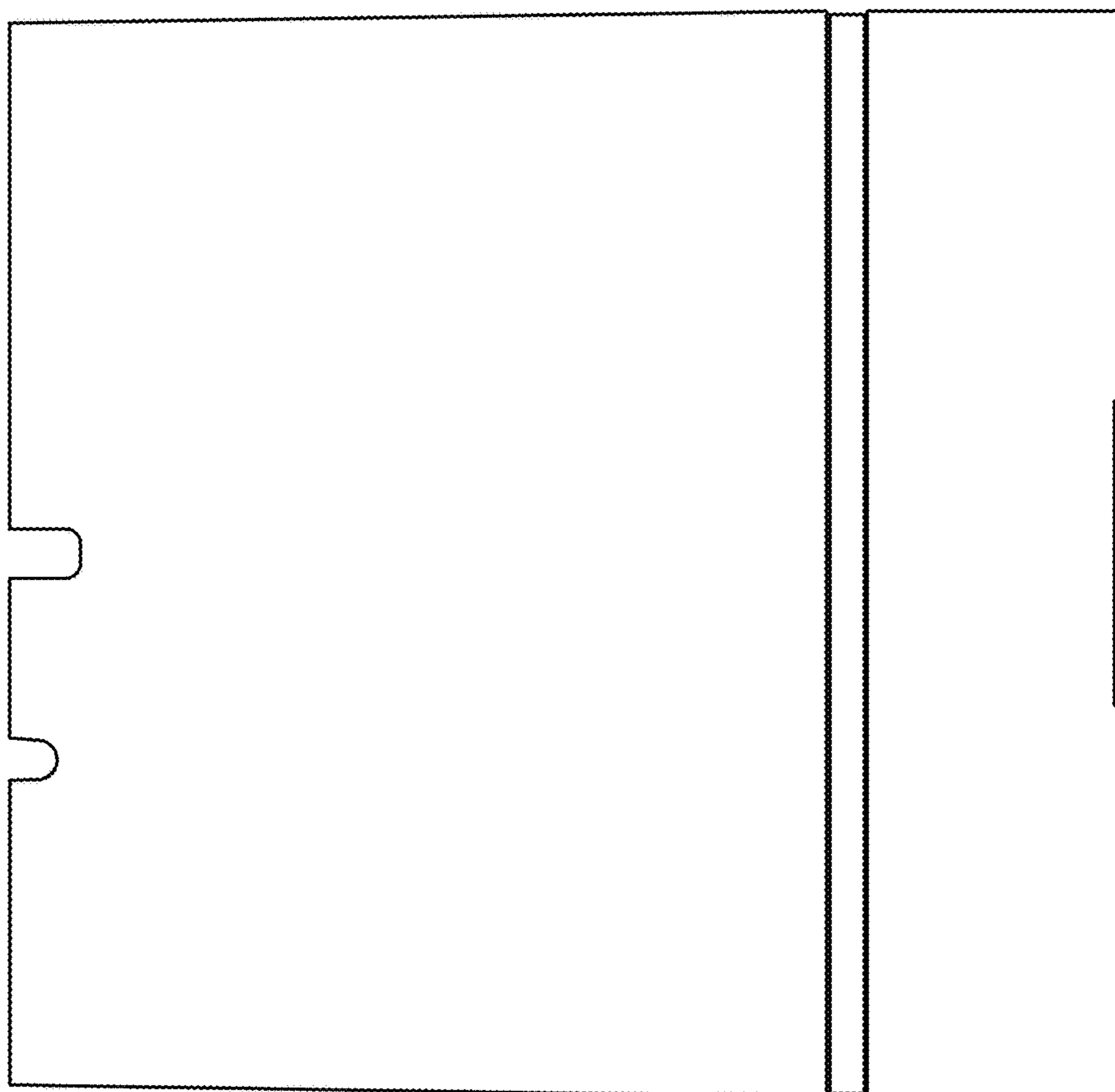


FIG. 10

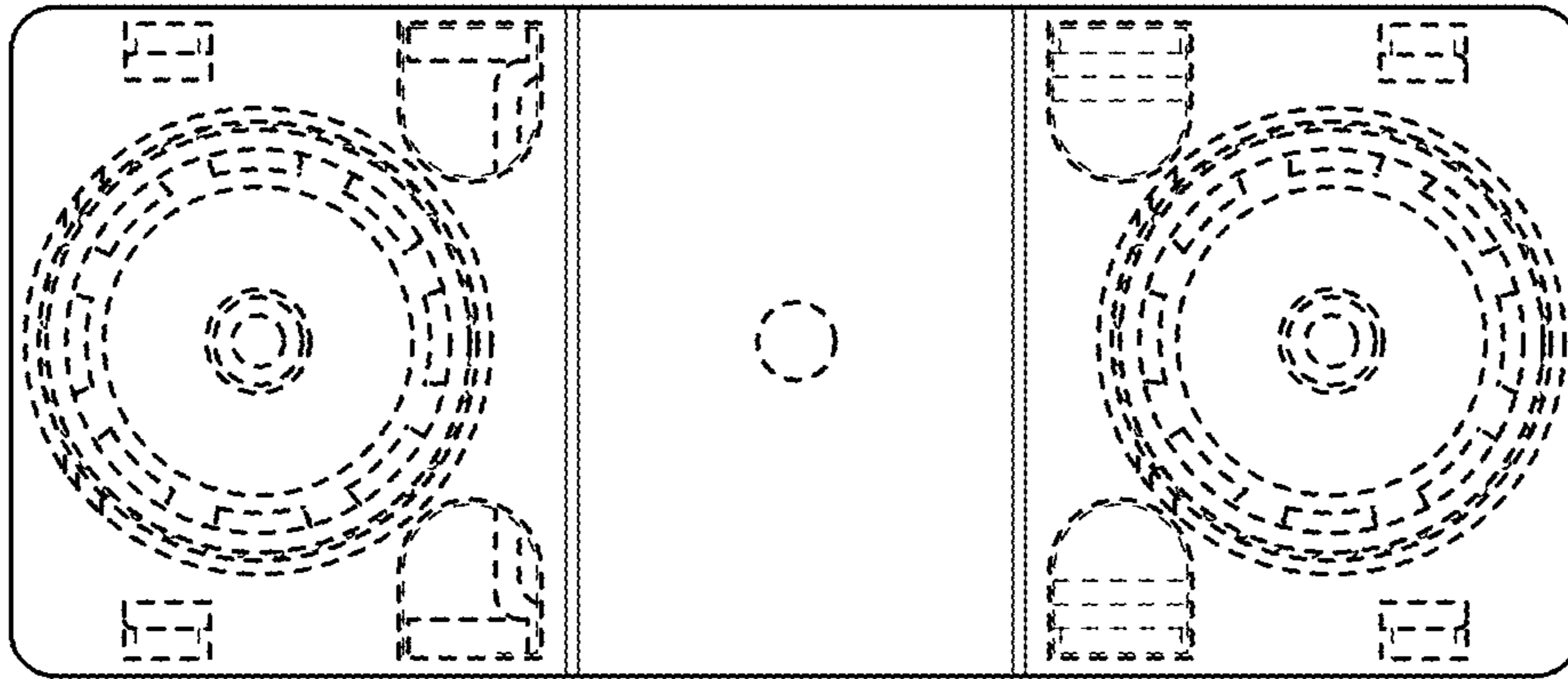


FIG. 11

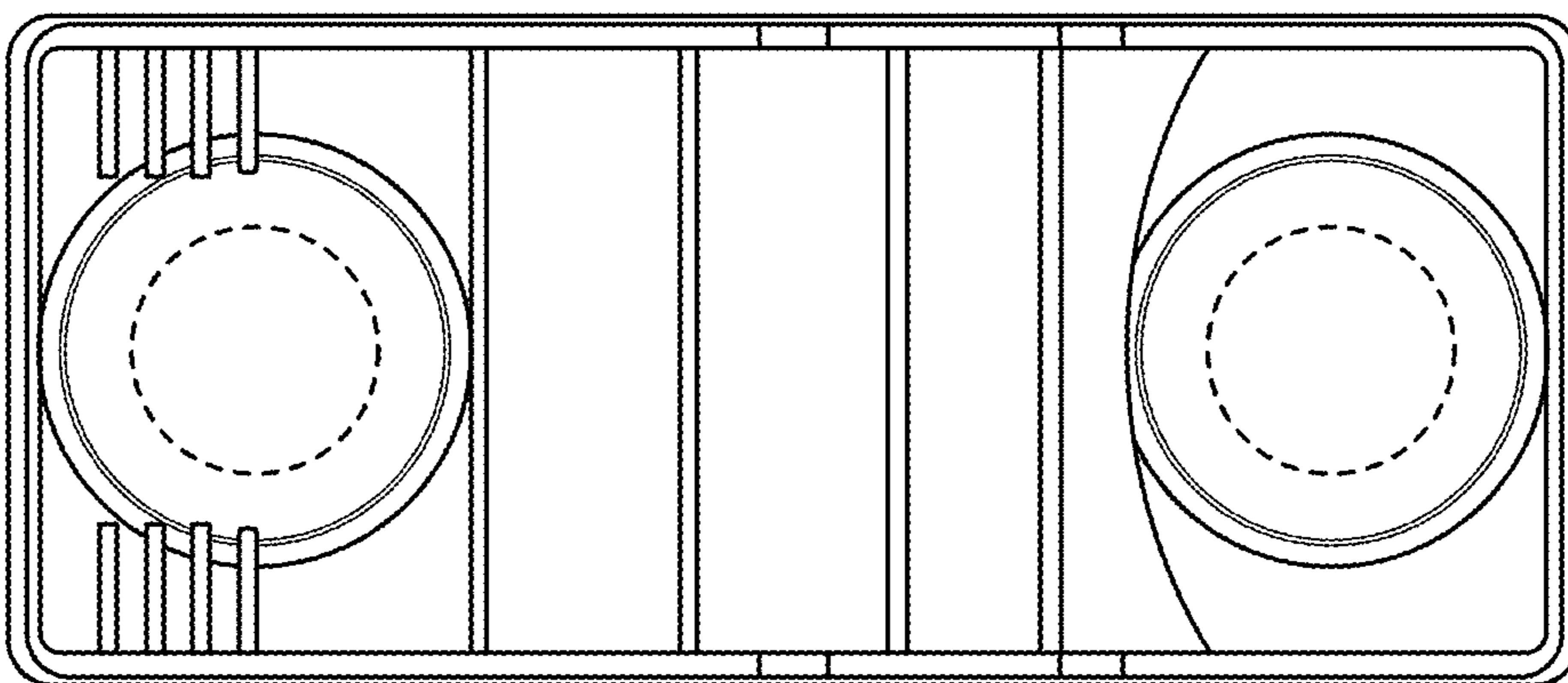


FIG. 12