



US00D848635S

(12) **United States Design Patent** (10) **Patent No.:** **US D848,635 S**  
**Davis** (45) **Date of Patent:** **\*\* May 14, 2019**

- (54) **STERILIZATION DEVICE**
- (71) Applicant: **Seal Shield, LLC**, Jacksonville, FL (US)
- (72) Inventor: **Christian Davis**, Jacksonville, FL (US)
- (73) Assignee: **SEAL SHIELD, LLC**, Jacksonville, FL (US)
- (\*\*) Term: **15 Years**
- (21) Appl. No.: **29/627,653**
- (22) Filed: **Nov. 29, 2017**
- (51) **LOC (11) Cl.** ..... **24-01**
- (52) **U.S. Cl.**  
USPC ..... **D24/217**
- (58) **Field of Classification Search**  
USPC ..... D24/216, 217, 218, 219, 224-232;  
D23/366; D28/44, 73; D32/1, 25  
CPC ..... A61L 2/26; A61L 2/24; A61L 2/17; A61L 2/18; A61L 2/025; A61L 2202/122; A61L 2202/10; A61L 2202/11; A61L 2202/14; A61L 2202/23; A61L 2202/24; A61L 2202/182  
See application file for complete search history.

- D717,966 S \* 11/2014 Elson ..... D24/217
- D719,672 S \* 12/2014 Dickinson ..... D24/217
- 2015/0023839 A1\* 1/2015 Snyder ..... A61L 2/20  
422/28
- 2015/0314026 A1\* 11/2015 Mauzerall ..... A61L 2/26  
312/209

\* cited by examiner

*Primary Examiner* — Anhdao Doan

(74) *Attorney, Agent, or Firm* — Allen, Dyer, Doppelt & Gilchrist, P.A.

(57) **CLAIM**

The ornamental design for a sterilization device, as shown and described.

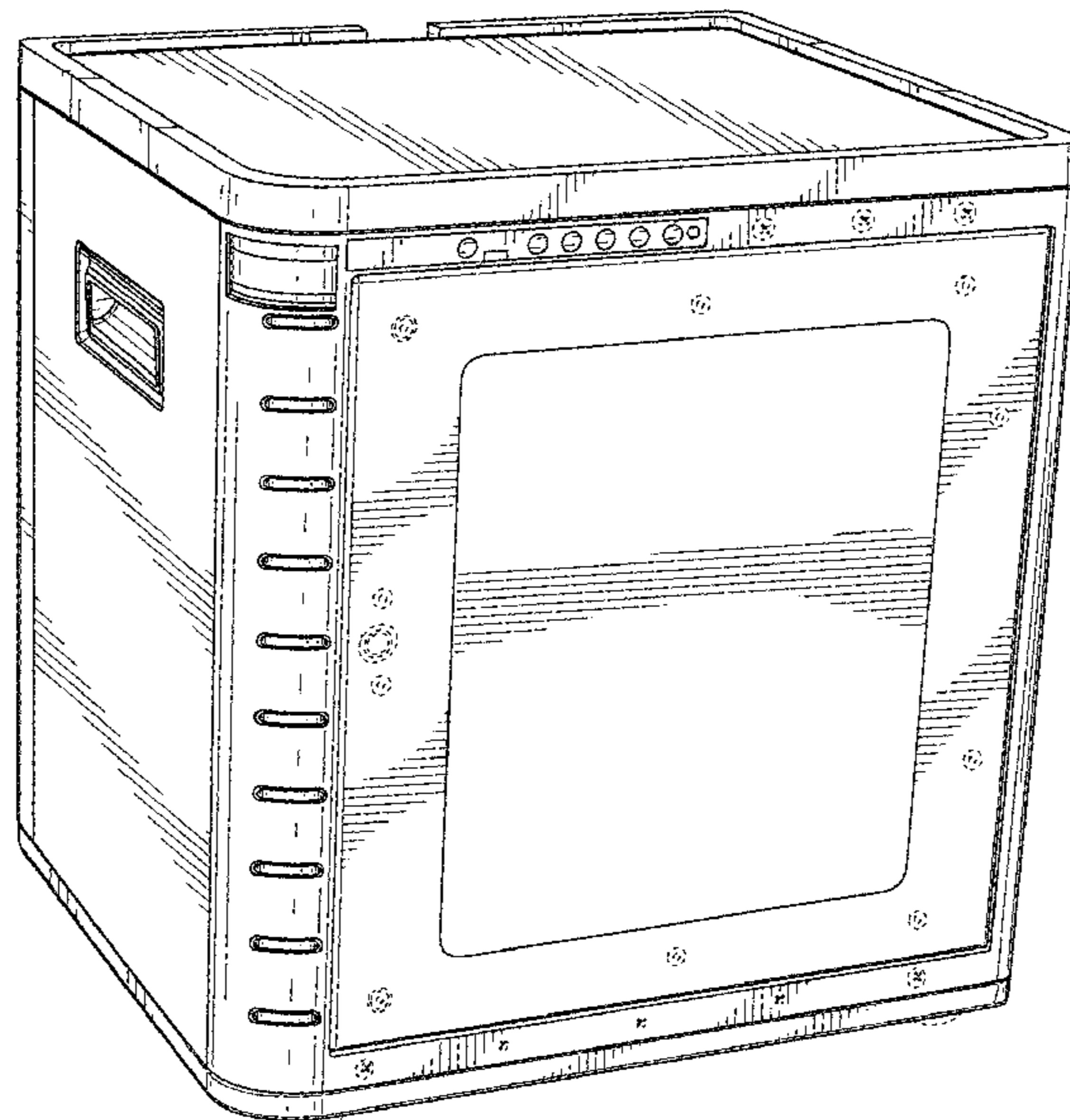
**DESCRIPTION**

FIG. 1 is a first perspective view of the sterilization device; FIG. 2 is a second perspective view of the sterilization device; FIG. 3 is a front elevational view of the sterilization device; FIG. 4 is a back elevational view of the sterilization device; FIG. 5 is a left side elevational view of the sterilization device; FIG. 6 is a right side elevational view of the sterilization device; FIG. 7 is a top elevation view of the sterilization device; and, FIG. 8 is a bottom elevation view of the sterilization device. The broken lines immediately adjacent the shaded areas represent the bounds of the claim, while all other broken lines are directed to environment and are for illustrative purposes only; the broken lines form no part of the claimed design.

(56) **References Cited**  
U.S. PATENT DOCUMENTS

- D404,827 S \* 1/1999 Thoburn ..... D24/217
- D560,814 S \* 1/2008 Briussel ..... D24/217
- D680,659 S \* 4/2013 Funnell ..... D24/227
- D703,343 S \* 4/2014 Biswas ..... D24/217
- D704,350 S \* 5/2014 Lau ..... D24/217

**1 Claim, 8 Drawing Sheets**



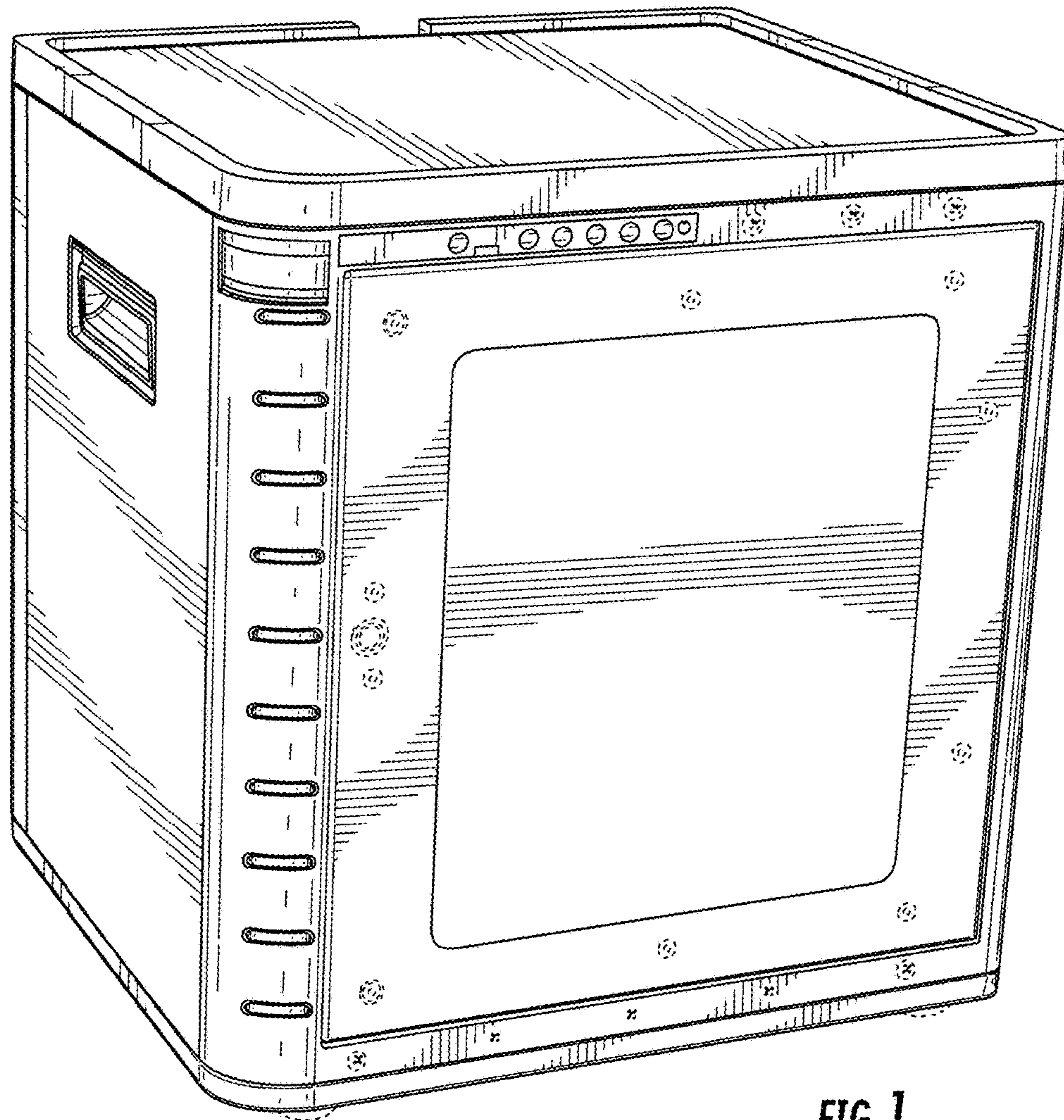


FIG. 1

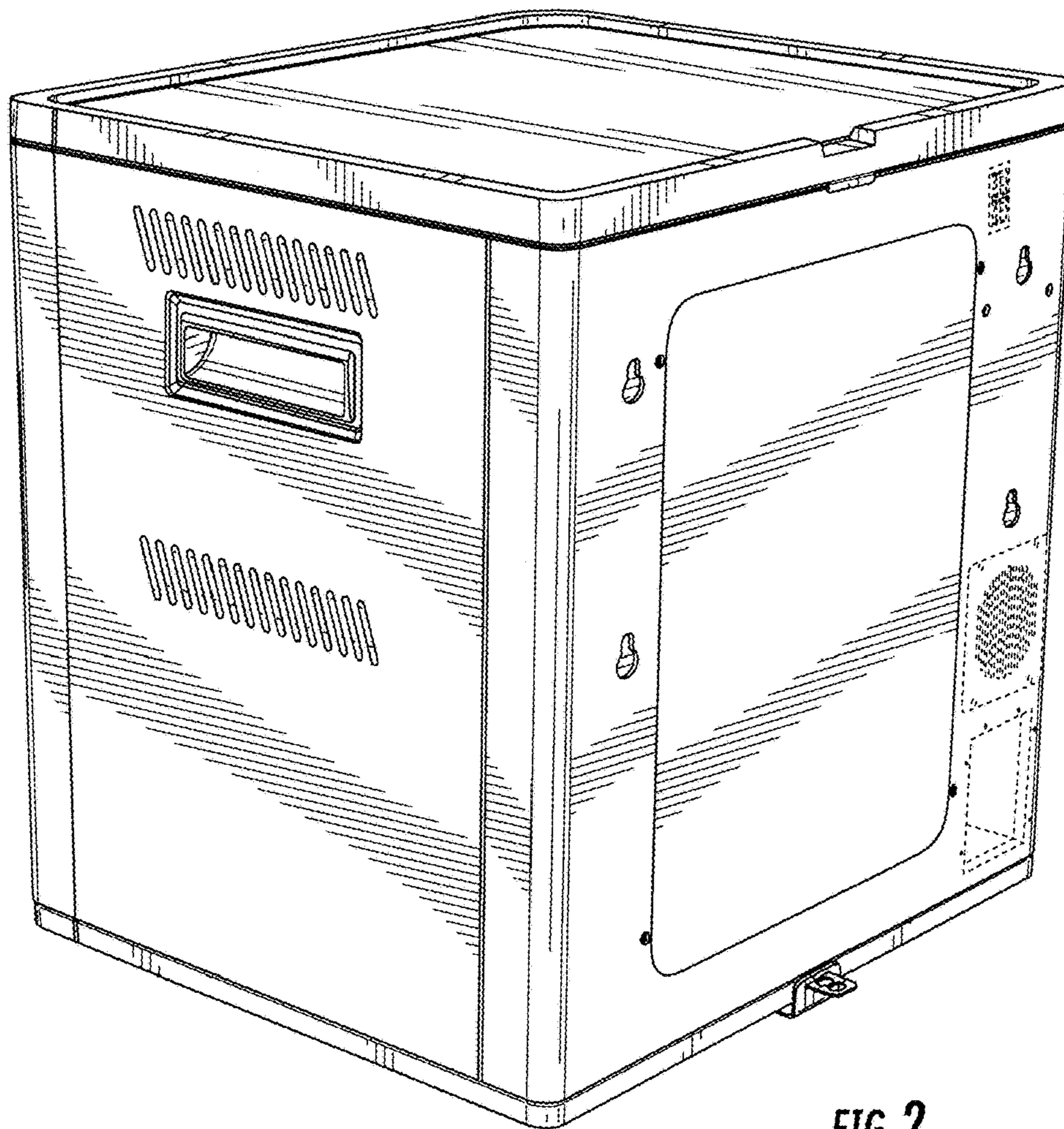


FIG. 2

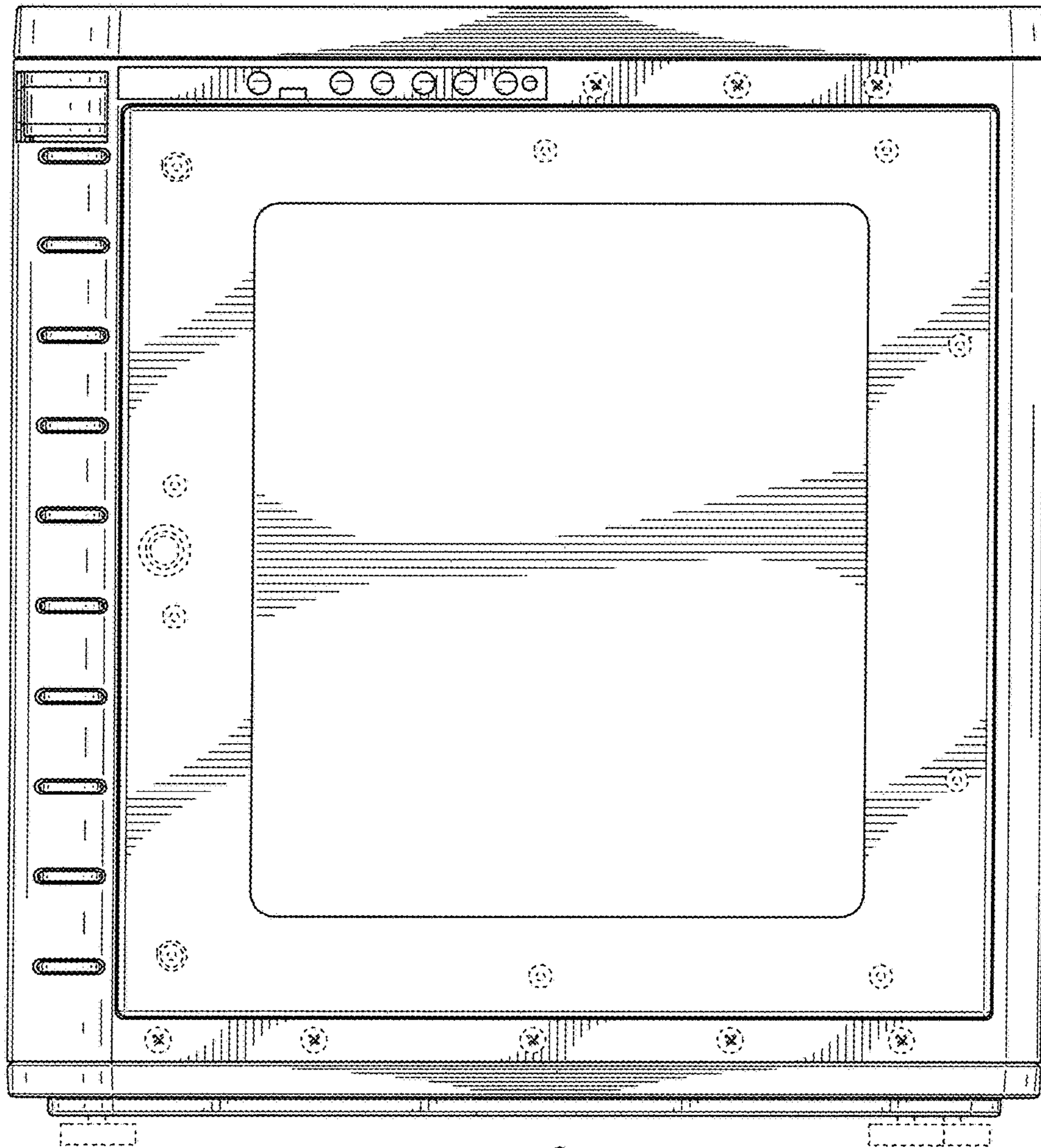


FIG. 3

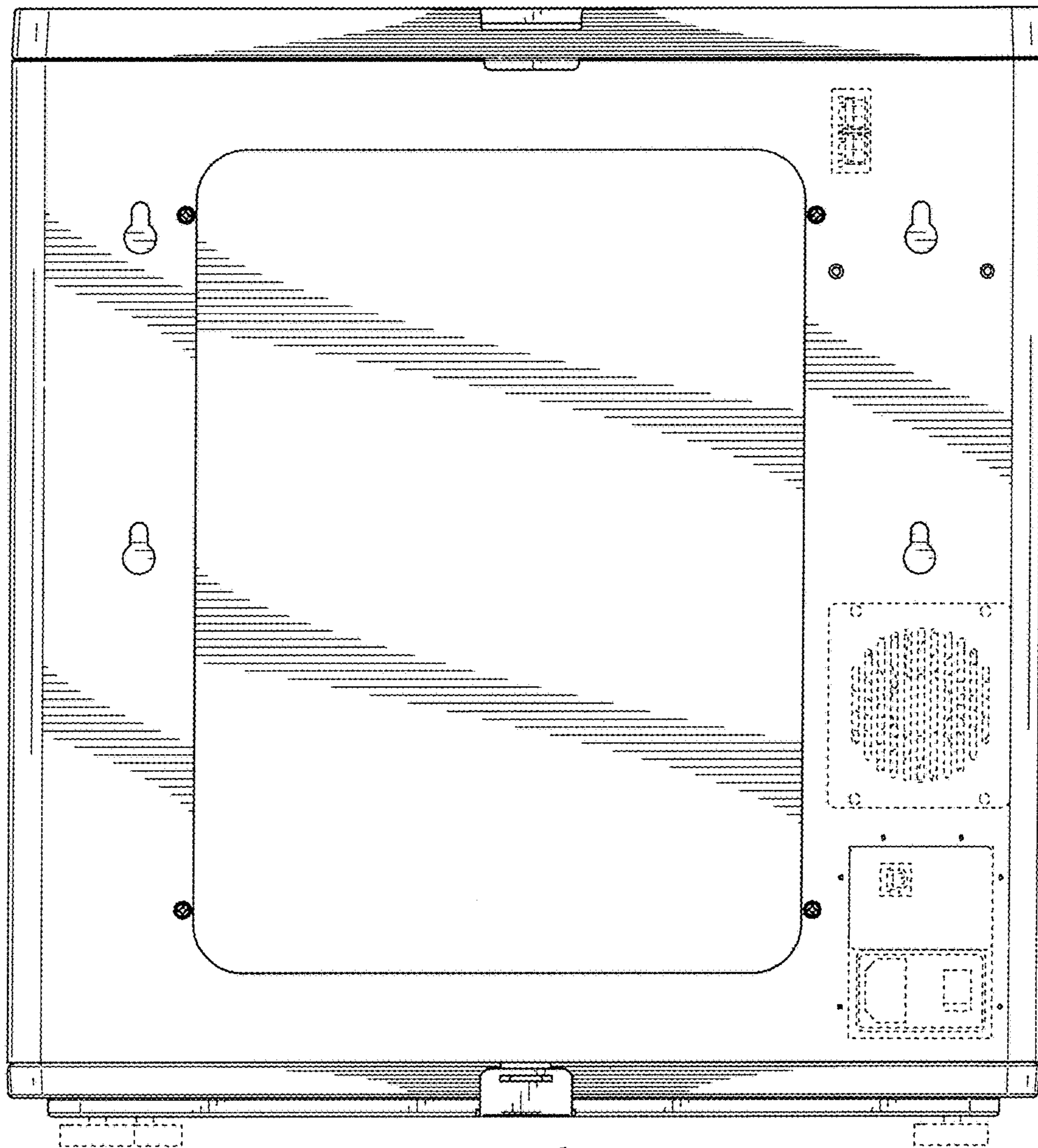


FIG. 4

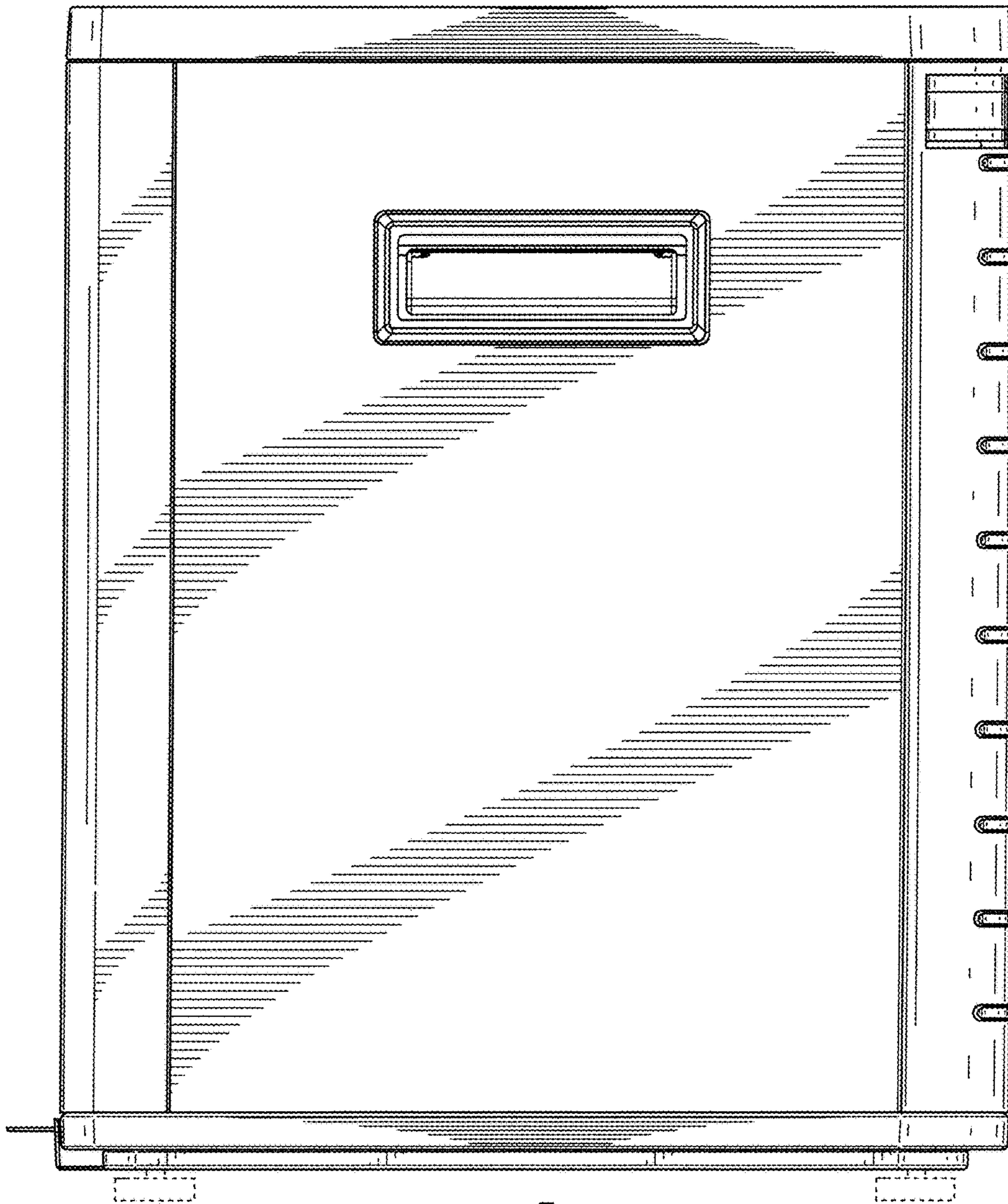


FIG. 5

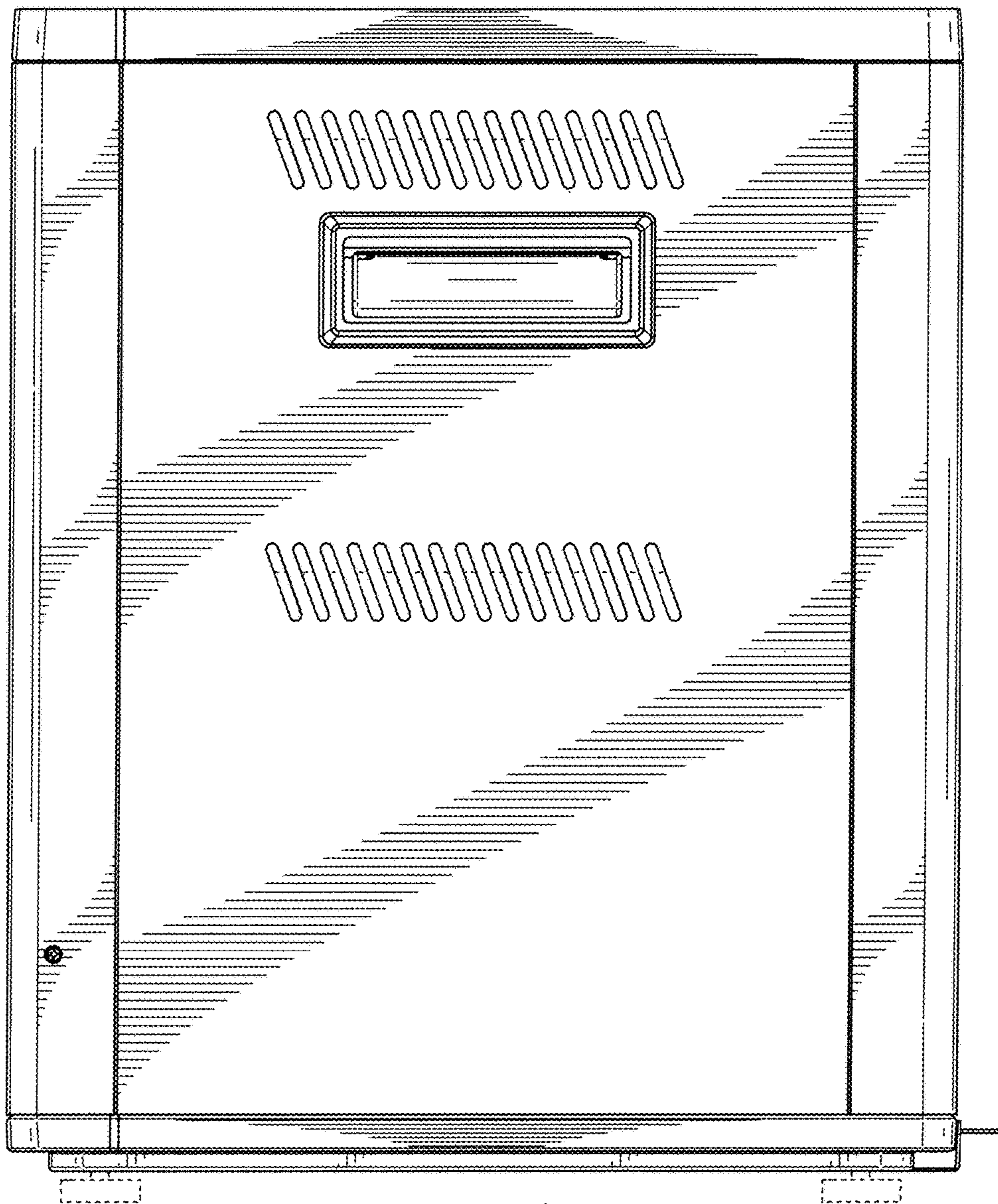


FIG. 6

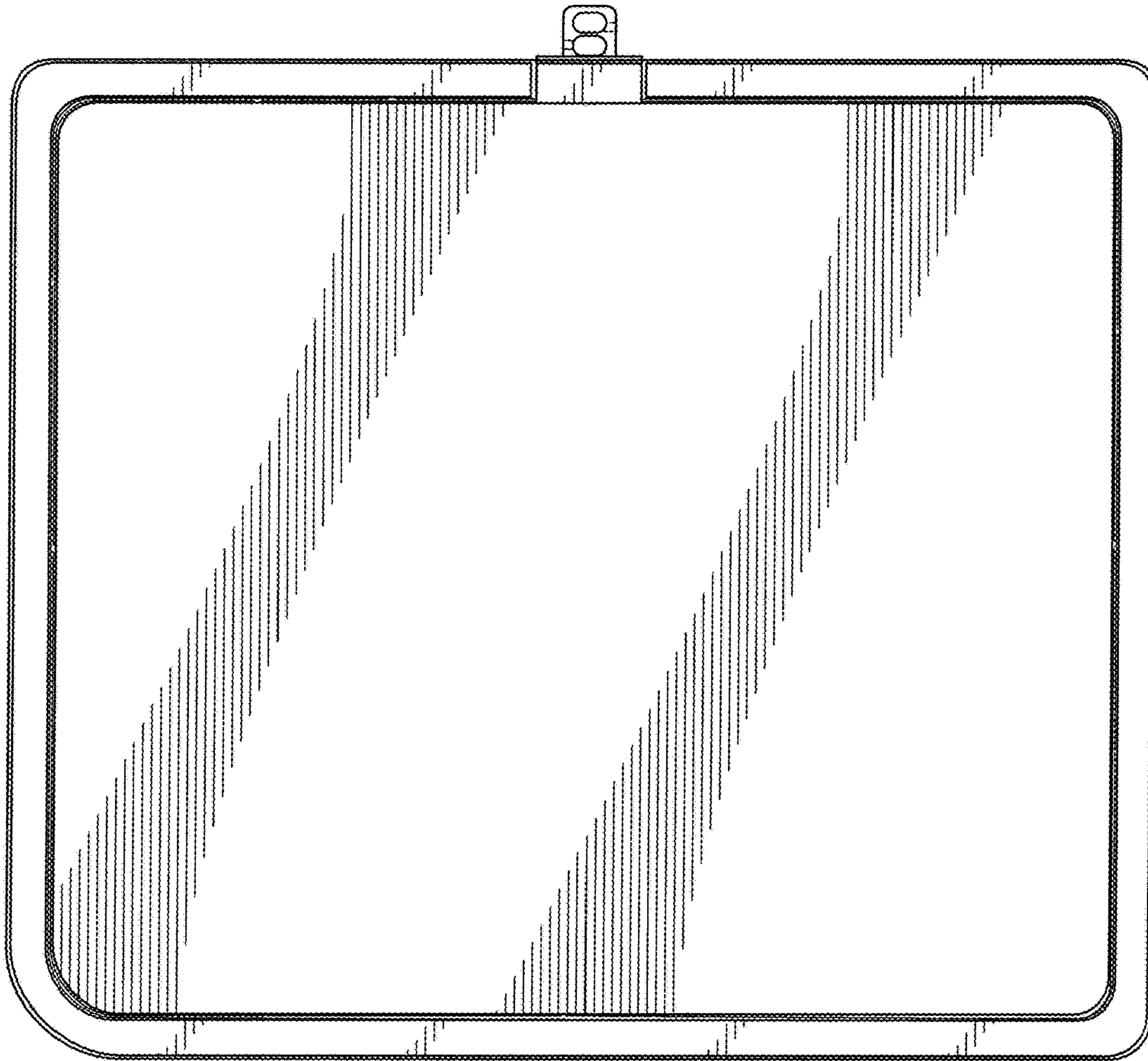


FIG. 7



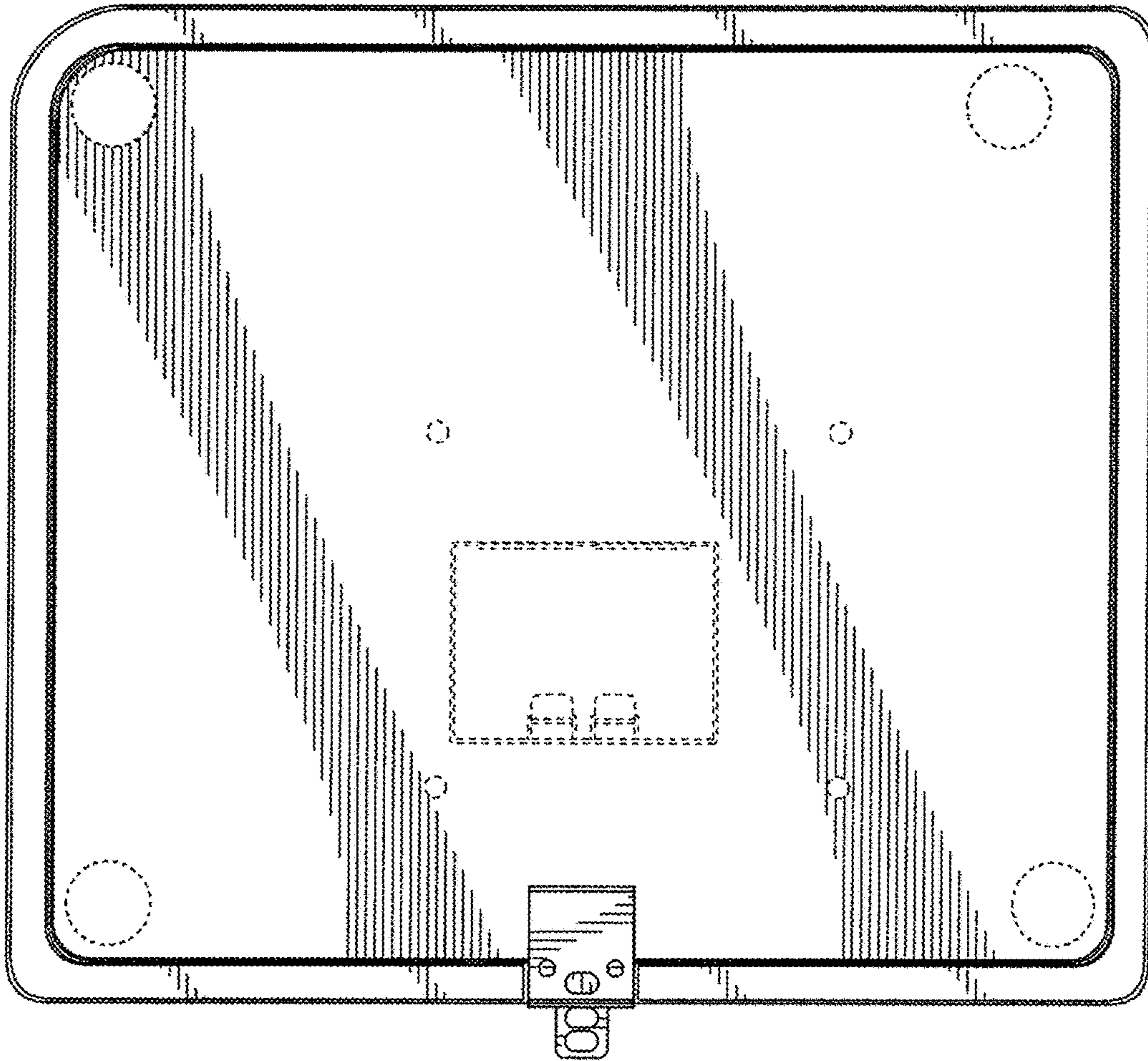


FIG. 8