

US00D848630S

(12) **United States Design Patent** (10) **Patent No.:** **US D848,630 S**
Klang (45) **Date of Patent:** **** May 14, 2019**

(54) **VAGINAL LIGHT TREATMENT DEVICE**
(71) Applicant: **Gregg A. Klang**, Coto de Caza, CA (US)
(72) Inventor: **Gregg A. Klang**, Coto de Caza, CA (US)
(**) Term: **15 Years**
(21) Appl. No.: **29/591,166**
(22) Filed: **Jan. 17, 2017**
(51) **LOC (11) Cl.** **24-01**
(52) **U.S. Cl.**
USPC **D24/209**
(58) **Field of Classification Search**
USPC D24/141, 200, 211, 214, 212, 101-104, D24/209, 210, 138, 187
CPC A61N 5/0603; A61N 5/0624; A61N 2005/0611; A61N 2005/0626; A61N 2005/0643; A61N 2005/0652; A61N 2005/0663; A61M 31/00; A61F 13/20; A61L 15/00
See application file for complete search history.

(56) **References Cited**
U.S. PATENT DOCUMENTS
2,985,167 A * 5/1961 Colb A61H 13/00 601/140
D272,945 S * 3/1984 Suhel D24/214
6,235,039 B1 * 5/2001 Parkin A61B 17/545 606/131
6,416,779 B1 * 7/2002 D'Augustine A61F 6/08 424/430
D506,550 S * 6/2005 Greenberg D24/133
D547,878 S * 7/2007 Lai D24/214
D592,313 S * 5/2009 Levine D24/214
D612,042 S * 3/2010 Noren D24/104
D729,395 S * 5/2015 Shinnick D24/200
10,004,918 B2 * 6/2018 Klang A61N 5/0603

2012/0071710 A1* 3/2012 Gazdzinski A61B 1/00016 600/101
2014/0235942 A1* 8/2014 Hellstrom A61N 5/0601 600/104
2016/0059034 A1* 3/2016 Klang A61N 5/0603 607/92
2016/0287315 A1* 10/2016 Wolf A61B 18/1442

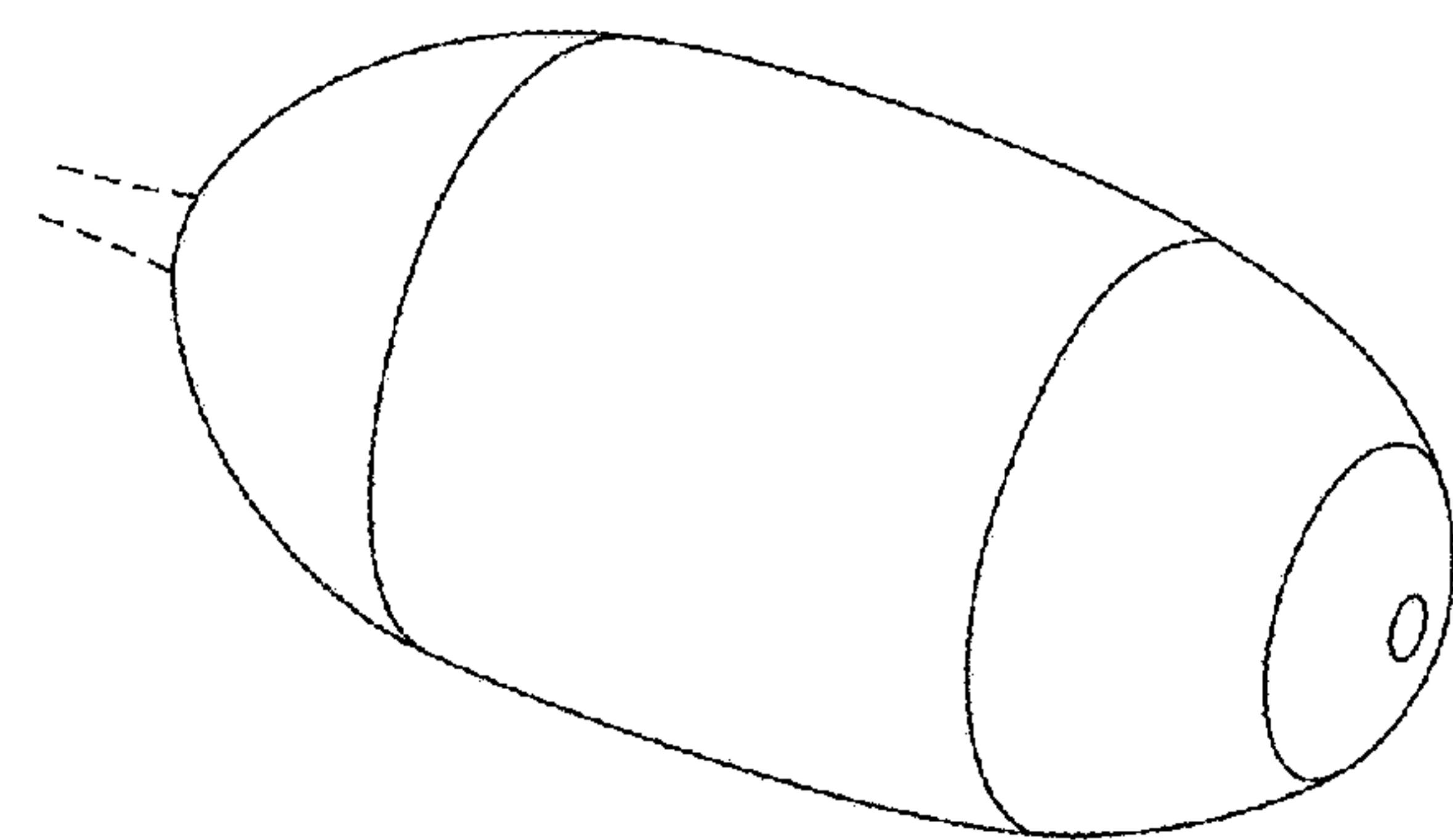
FOREIGN PATENT DOCUMENTS
CN 304209918 * 7/2017

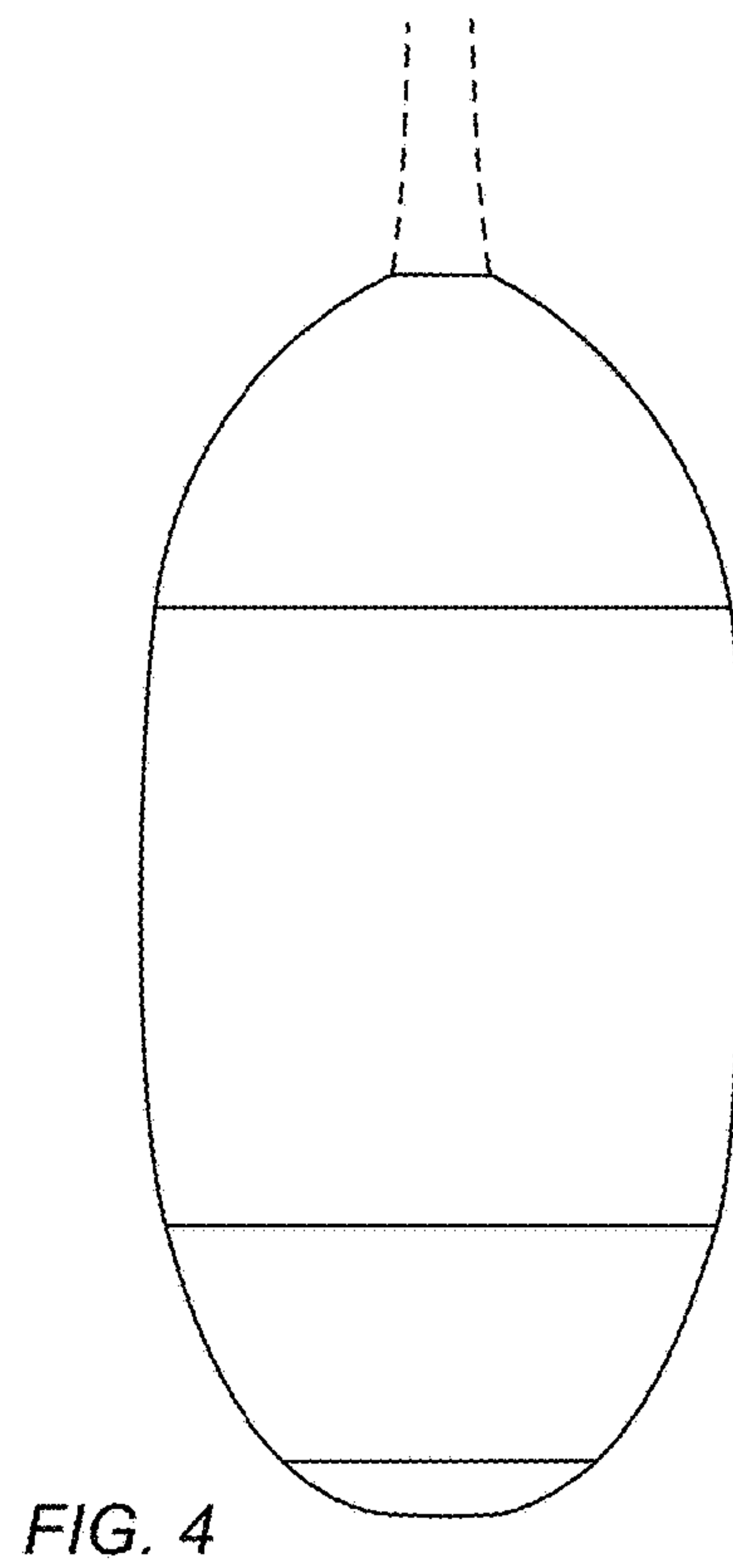
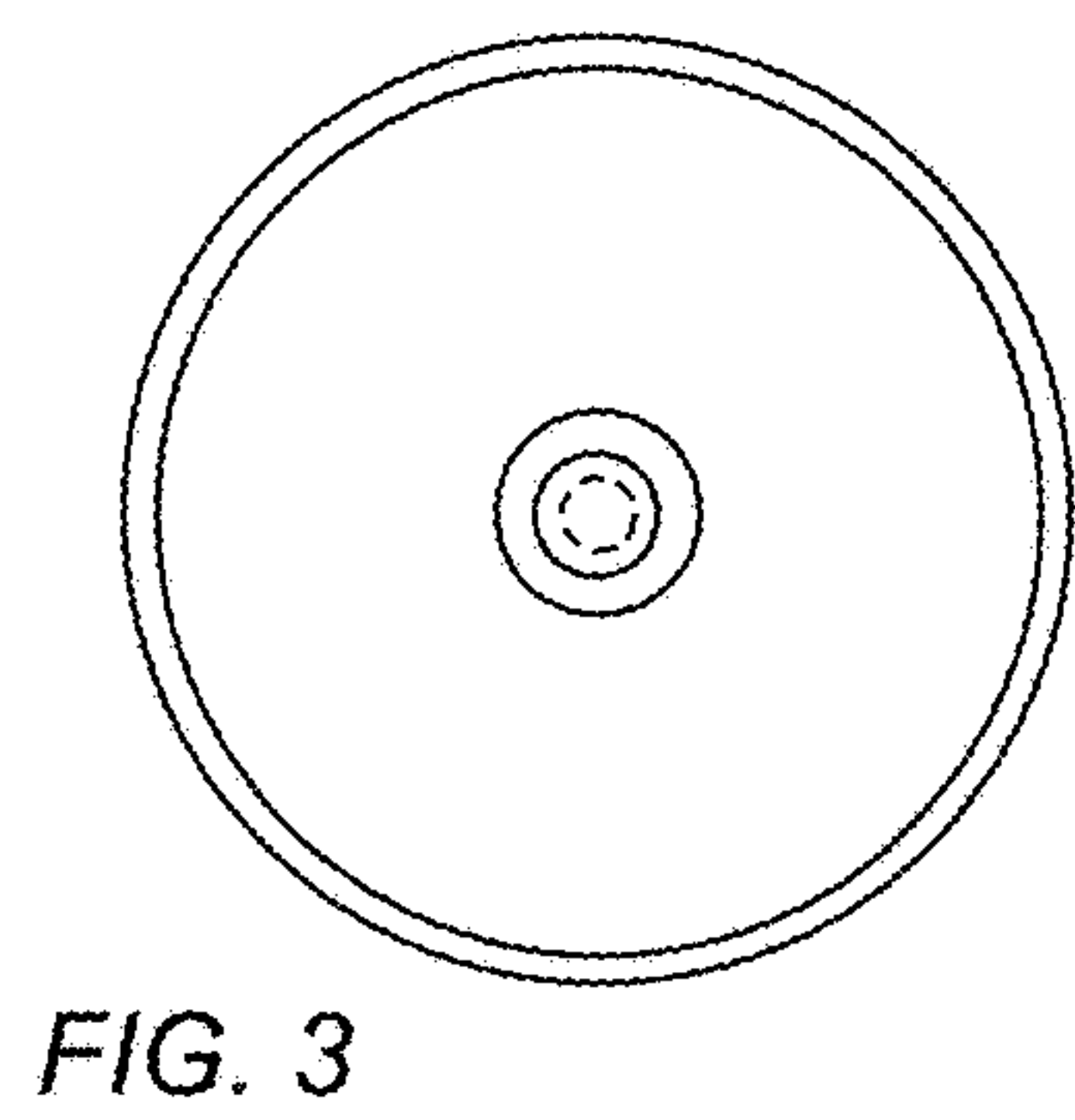
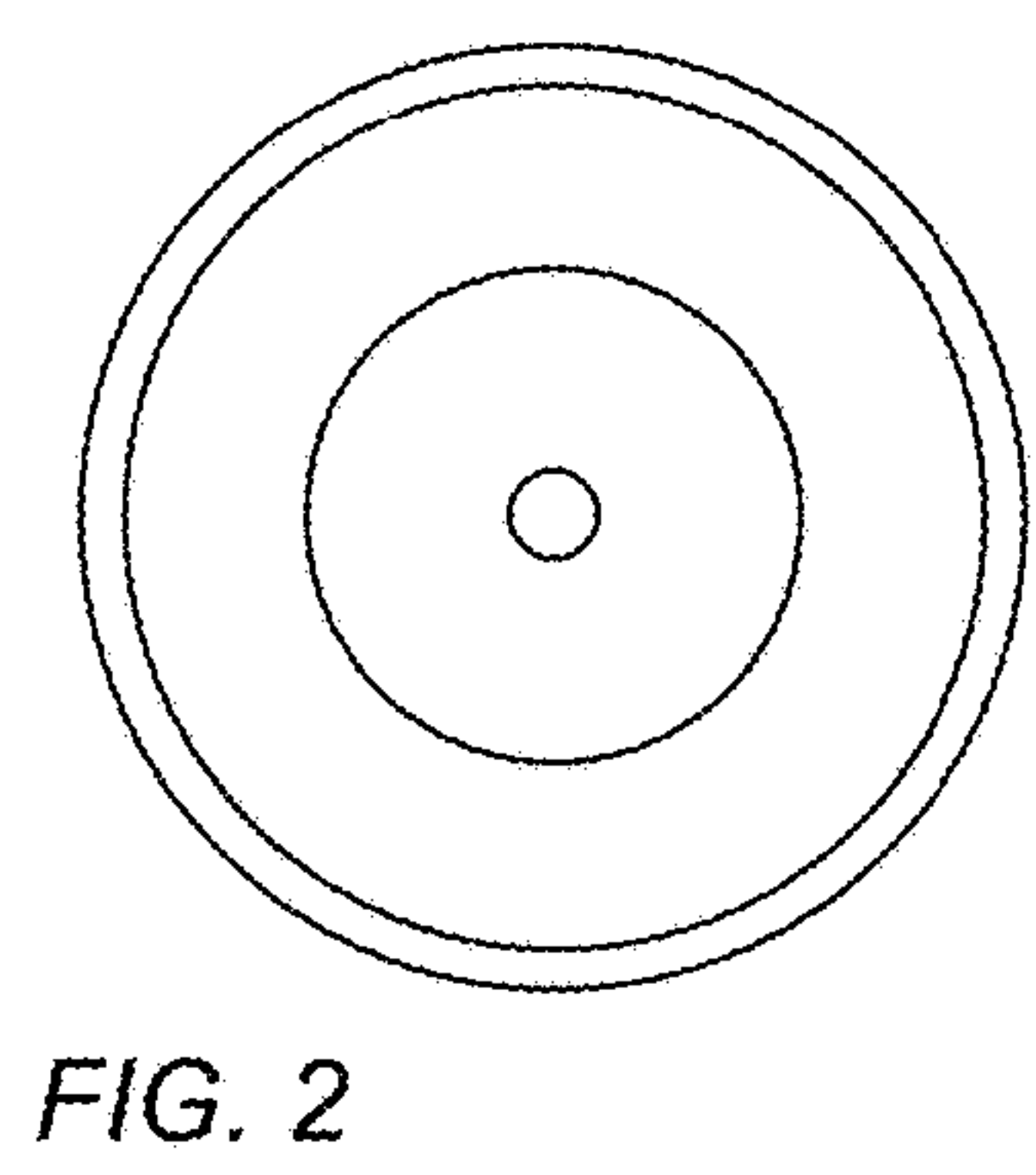
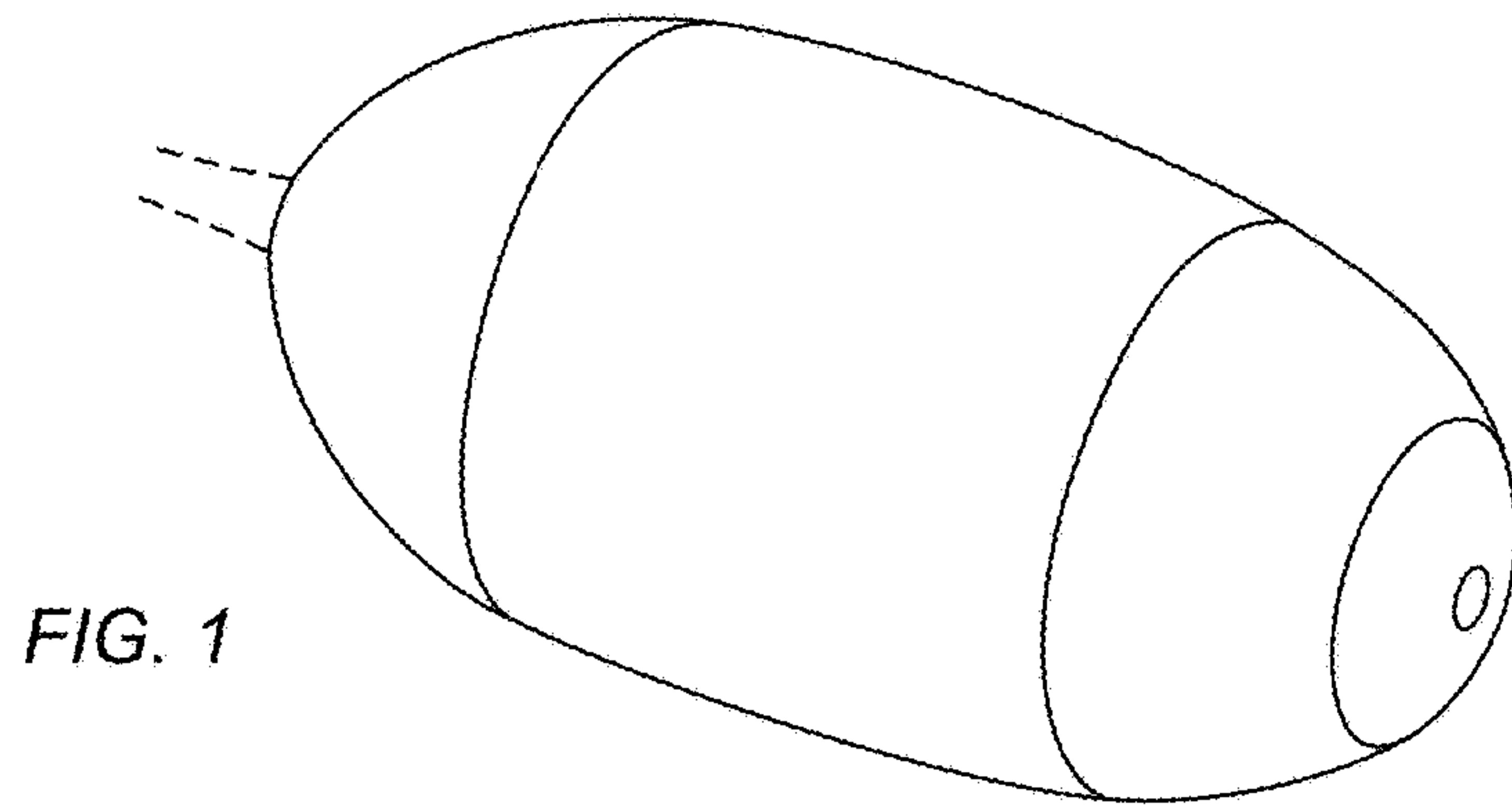
* cited by examiner
Primary Examiner — Anhdao Doan
Assistant Examiner — Mary Shannon Malley
(74) *Attorney, Agent, or Firm* — William A. English; Vista IP Law Group LLP

(57) **CLAIM**
The ornamental design for a vaginal light treatment device, as shown and described.

DESCRIPTION
FIG. 1 is a front perspective view of a first embodiment of a vaginal light treatment device showing my new design; FIG. 2 is a front view thereof; FIG. 3 is a back view thereof; FIG. 4 is a side view thereof, the top and bottom views being identical; FIG. 5 is a front perspective view of a second embodiment of a vaginal light treatment device showing my new design; FIG. 6 is a front view thereof; FIG. 7 is an enlarged back view of the embodiment of FIG. 5; and, FIG. 8 is a side view thereof, the top and bottom views being identical.
The broken lines showing a cord extending from the device is for illustrative purposes and forms no part of the claimed design.

1 Claim, 2 Drawing Sheets





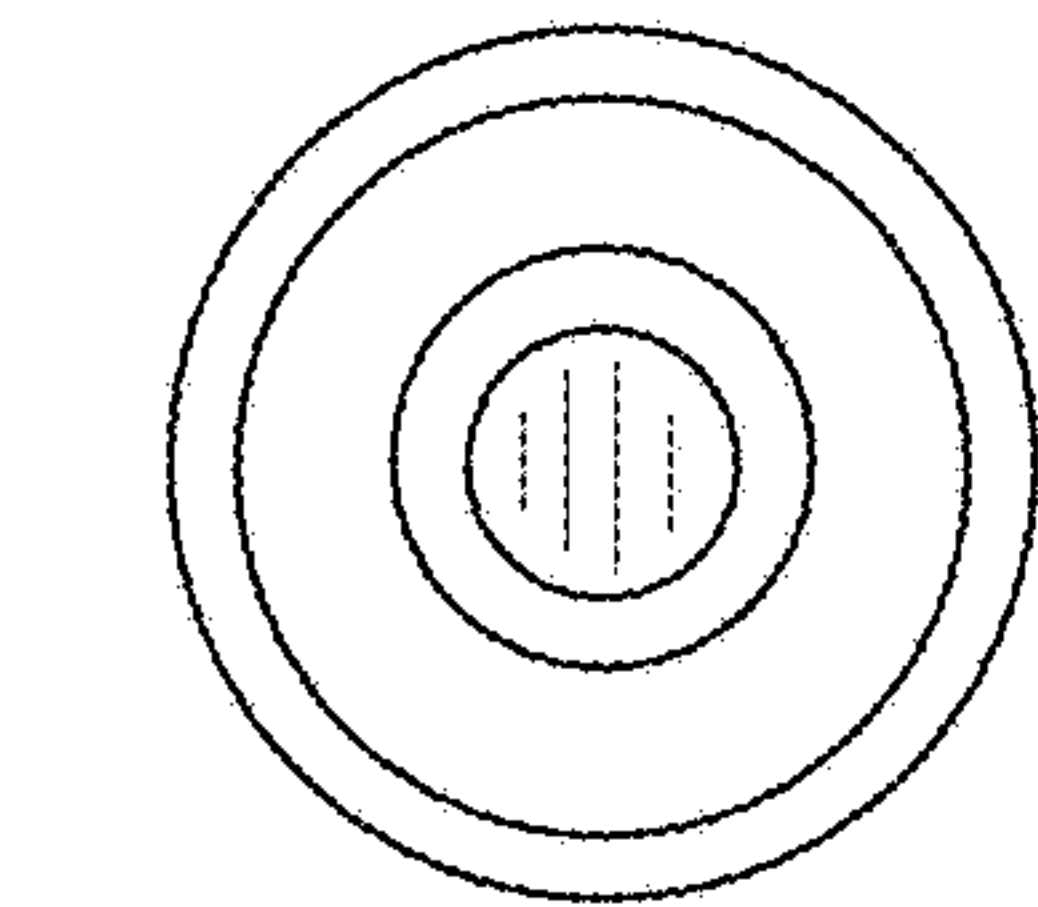
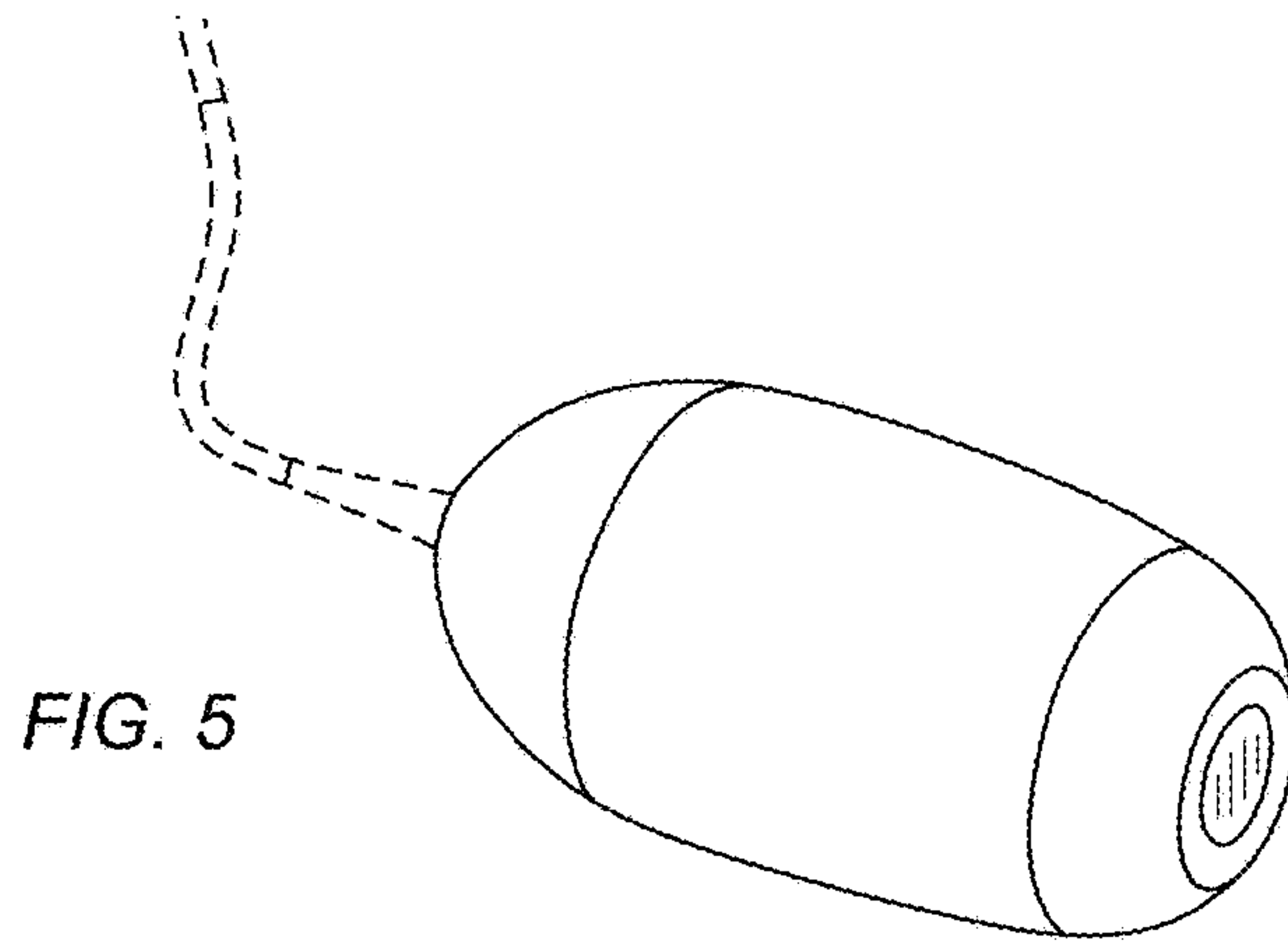


FIG. 6

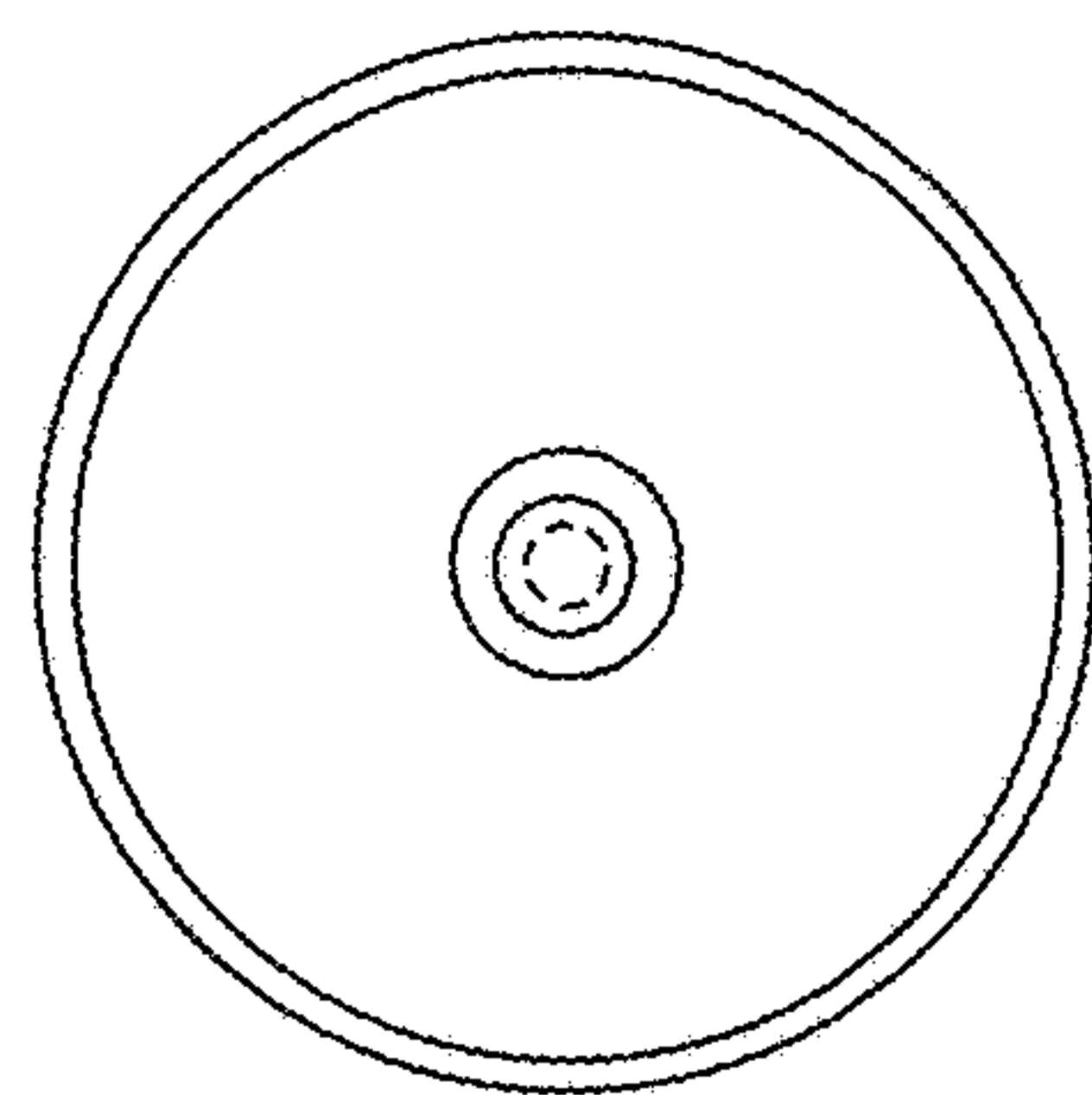


FIG. 7

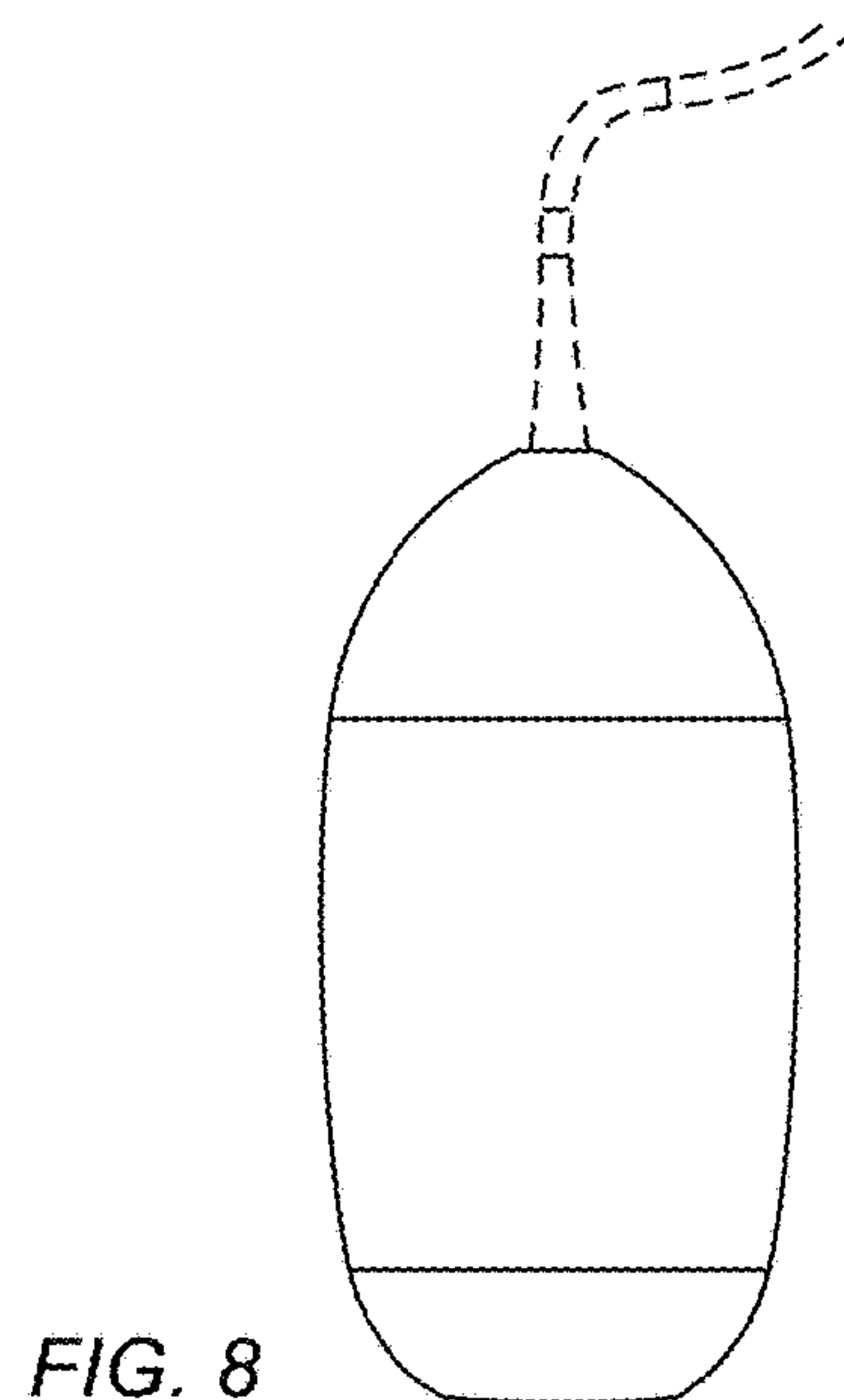


FIG. 8