



US00D848628S

(12) **United States Design Patent** (10) **Patent No.:** **US D848,628 S**  
**Reed** (45) **Date of Patent:** **\*\* May 14, 2019**

- (54) **NIPPLE FOR NURSING BOTTLE**
- (71) Applicant: **Handi-Craft Company**, St. Louis, MO (US)
- (72) Inventor: **Mark D. Reed**, Columbia, IL (US)
- (73) Assignee: **Handi-Craft Company**, St. Louis, MO (US)
- (\*\*) Term: **15 Years**
- (21) Appl. No.: **29/581,186**
- (22) Filed: **Oct. 17, 2016**
- (51) **LOC (11) Cl.** ..... **24-04**
- (52) **U.S. Cl.**  
USPC ..... **D24/196**
- (58) **Field of Classification Search**  
USPC ..... D24/193, 194, 195, 196, 197, 198, 199;  
215/11.1, 11.2, 11.3, 11.4, 11.5, 11.6;  
606/236  
CPC ..... A61J 11/00; A61J 11/0035; A61J 11/002  
See application file for complete search history.

- D599,481 S \* 9/2009 Drummond ..... D24/197
- 7,828,165 B2 11/2010 Brown
- D666,731 S \* 9/2012 Mustecaplioglu ..... D24/197
- D725,787 S \* 3/2015 Brown ..... D24/194
- D742,019 S \* 10/2015 Montgomery ..... D24/197
- (Continued)

**FOREIGN PATENT DOCUMENTS**

EP 2253300 B1 8/2014

**OTHER PUBLICATIONS**

“Dr. Brown’s Silicone Nipple”. Found online Aug. 17, 2016 at [diapers.com](https://www.diapers.com). Page dated Nov. 1, 2006. Retrieved from <https://www.diapers.com/p/dr-browns-silicone-nipple-level-1-4941>.  
(Continued)

*Primary Examiner* — George D. Kirschbaum  
*Assistant Examiner* — Kendra Leslie Hamilton  
(74) *Attorney, Agent, or Firm* — Armstrong Teasdale LLP

(57) **CLAIM**

The ornamental design for a nipple for nursing bottle, as shown and described.

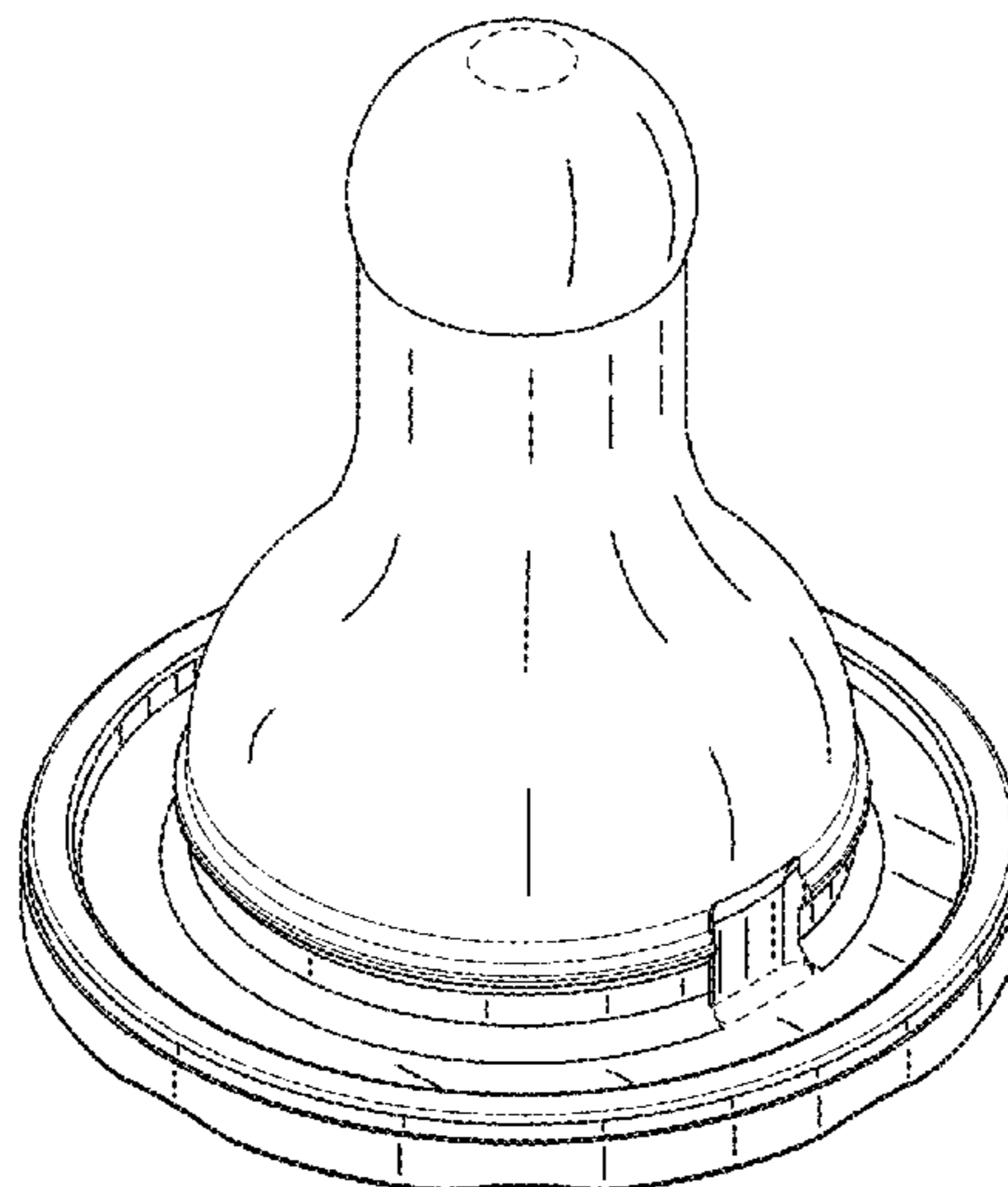
**DESCRIPTION**

FIG. 1 is a perspective view of a nipple for nursing bottle of my new design;  
FIG. 2 is a front elevation thereof;  
FIG. 3 is a rear elevation thereof;  
FIG. 4 is a right side elevation thereof;  
FIG. 5 is a left side elevation thereof;  
FIG. 6 is a top plan view thereof; and,  
FIG. 7 is a bottom plan view thereof.  
In the drawings, the evenly-spaced broken lines illustrate portions of the nipple for nursing bottle that form no part of the claimed design. In FIGS. 2-5 and 7, the dash-dot-dash lines indicate boundaries of the claimed design.

**1 Claim, 7 Drawing Sheets**

(56) **References Cited**  
U.S. PATENT DOCUMENTS

- 2,822,102 A \* 2/1958 Holland ..... A61J 11/02  
215/11.1
- 4,723,668 A \* 2/1988 Cheng ..... A61J 9/04  
215/11.5
- D330,938 S 11/1992 Sakashita
- 5,881,893 A \* 3/1999 Manganiello ..... A61J 11/02  
215/11.1
- D412,582 S \* 8/1999 Morano ..... D24/197
- D441,870 S \* 5/2001 Randolph ..... D24/196
- D441,872 S 5/2001 Johansen
- D444,239 S \* 6/2001 Kobayashi ..... D24/196
- 6,588,613 B1 7/2003 Pechenik
- D486,579 S \* 2/2004 Dunn ..... D24/196
- 6,745,912 B2 6/2004 Uehara
- D520,142 S \* 5/2006 Mallet ..... D24/196
- 7,287,657 B1 10/2007 Rodriguez



(56)

**References Cited**

U.S. PATENT DOCUMENTS

2003/0093120 A1\* 5/2003 Renz ..... A61J 11/0035  
606/236  
2006/0011571 A1 1/2006 Silver  
2007/0102388 A1 5/2007 Lewis  
2012/0043293 A1 2/2012 Bryan  
2015/0164748 A1 6/2015 Brown

OTHER PUBLICATIONS

“NUK Gerber First Essential Silicone BPA Free Nipples Slow Flow”. Found online May 23, 2018 at amazon.in. Page dated Feb. 18, 2018 . Retrieved from [https://www.amazon.in/Gerber-First-Essential-Silicone-Nipples/dp/B00155WJRG/ref=sr\\_1\\_1?s=baby&ie=UTF8&qid=1527108960&sr=1-1&keywords=nuk+nipple.\\*](https://www.amazon.in/Gerber-First-Essential-Silicone-Nipples/dp/B00155WJRG/ref=sr_1_1?s=baby&ie=UTF8&qid=1527108960&sr=1-1&keywords=nuk+nipple.*)

“Dr. Brown’s Level-2 Wide Neck Nipple”. Found online May 23, 2018 at amazon.co.uk. Page dated Apr. 11, 2014. Retrieved from [https://www.amazon.co.uk/Dr-BrownS-Level-2-Wide-Nipple/dp/B015UICLYY/ref=sr\\_1\\_6\\_a\\_it?ie=UTF8&qid=1527119901&sr=8-6&keywords=dr+brown+wide+neck.\\*](https://www.amazon.co.uk/Dr-BrownS-Level-2-Wide-Nipple/dp/B015UICLYY/ref=sr_1_6_a_it?ie=UTF8&qid=1527119901&sr=8-6&keywords=dr+brown+wide+neck.*)

“Pura Kiki Stainless Infant Bottle Stainless Steel with Natural Vent Nipple”. Found online May 23, 2018 at amazon.ca. Page dated Jan. 2, 2014. Retrieved from [https://www.amazon.ca/Pura-Kiki-Stainless-Infant-Natural/dp/B00AV53YYI/ref=sr\\_1\\_1?srs=8324896011&ie=UTF8&qid=1527106291&sr=8-1.\\*](https://www.amazon.ca/Pura-Kiki-Stainless-Infant-Natural/dp/B00AV53YYI/ref=sr_1_1?srs=8324896011&ie=UTF8&qid=1527106291&sr=8-1.*)

\* cited by examiner

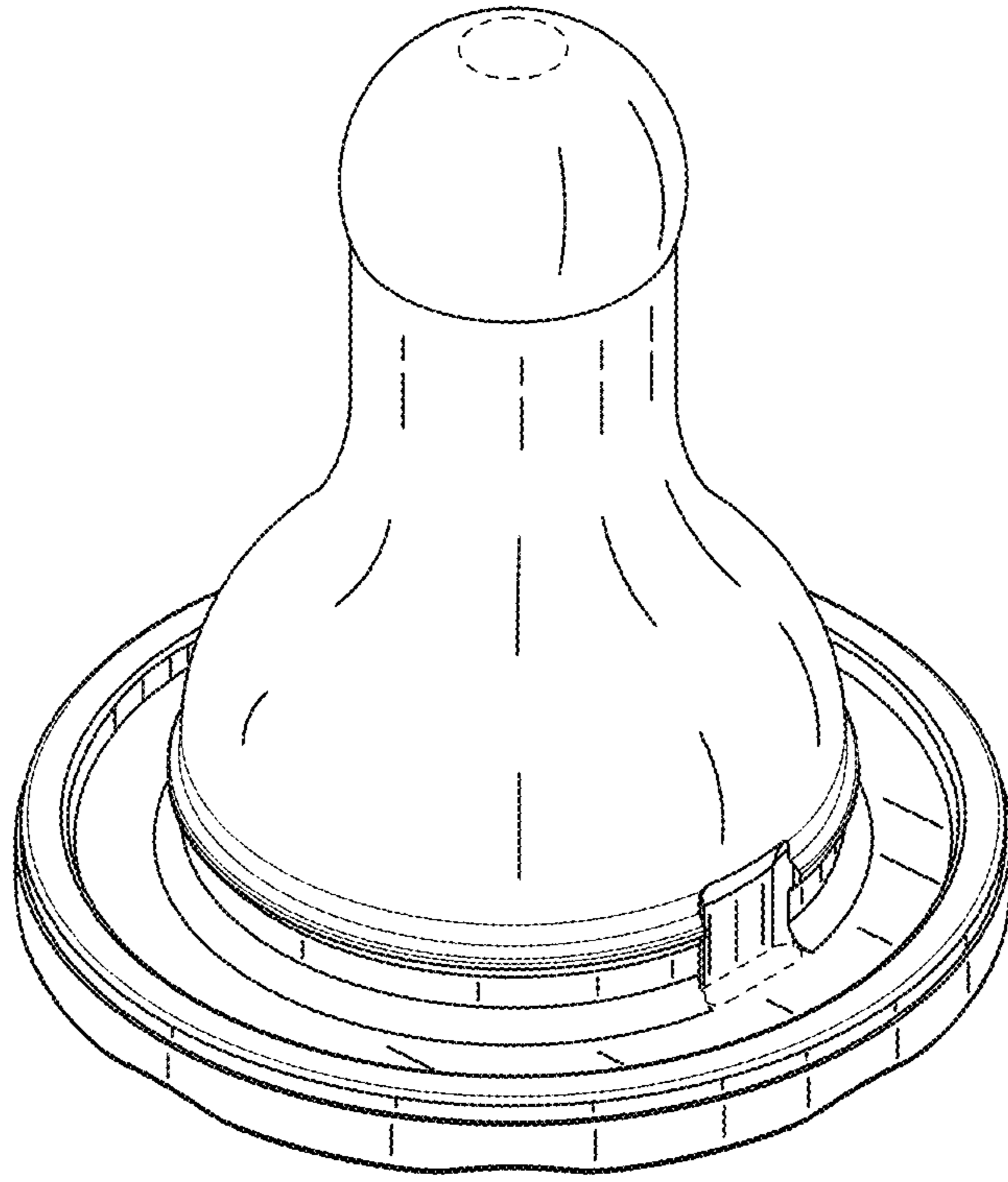


FIG. 1

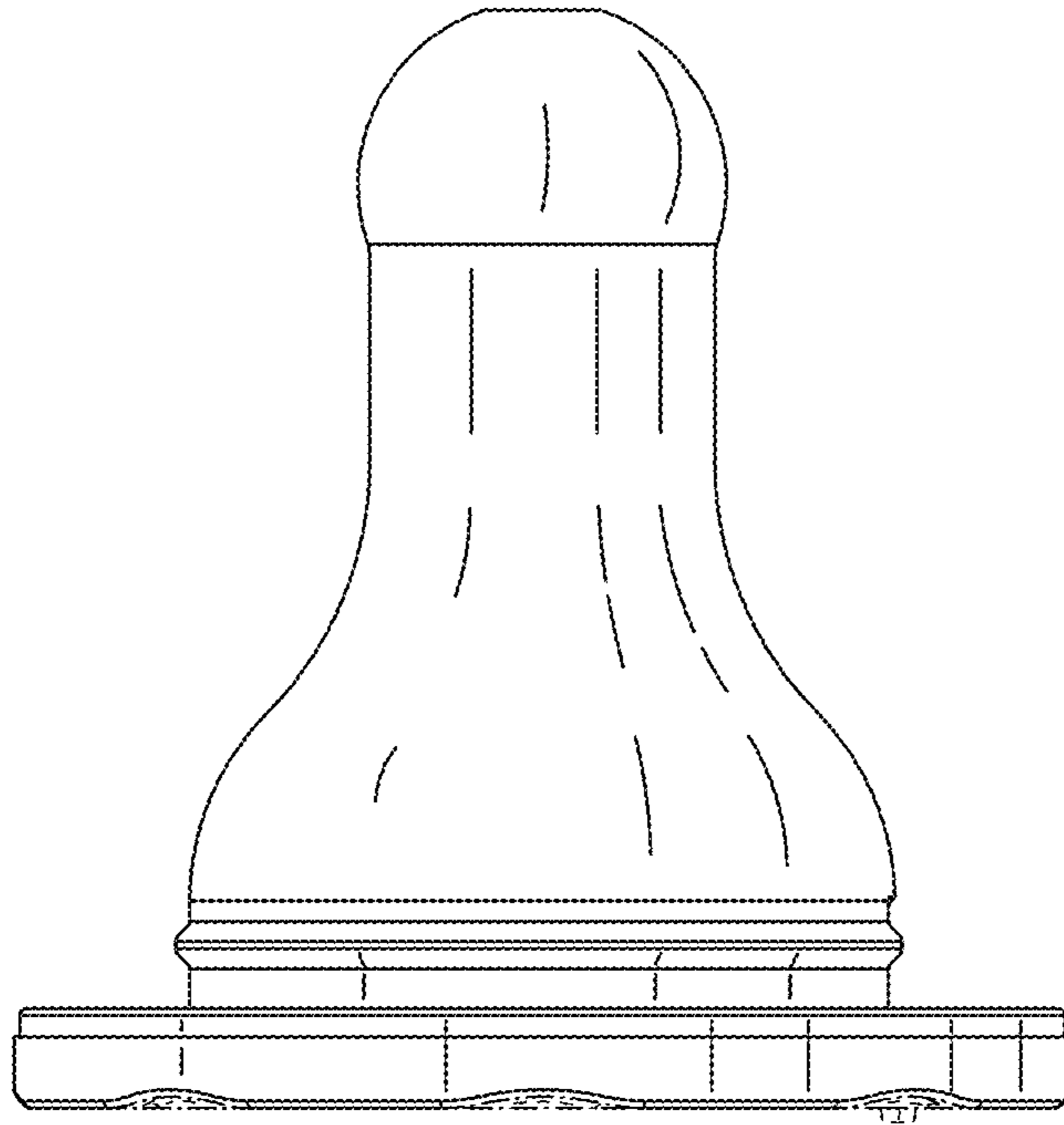


FIG. 2

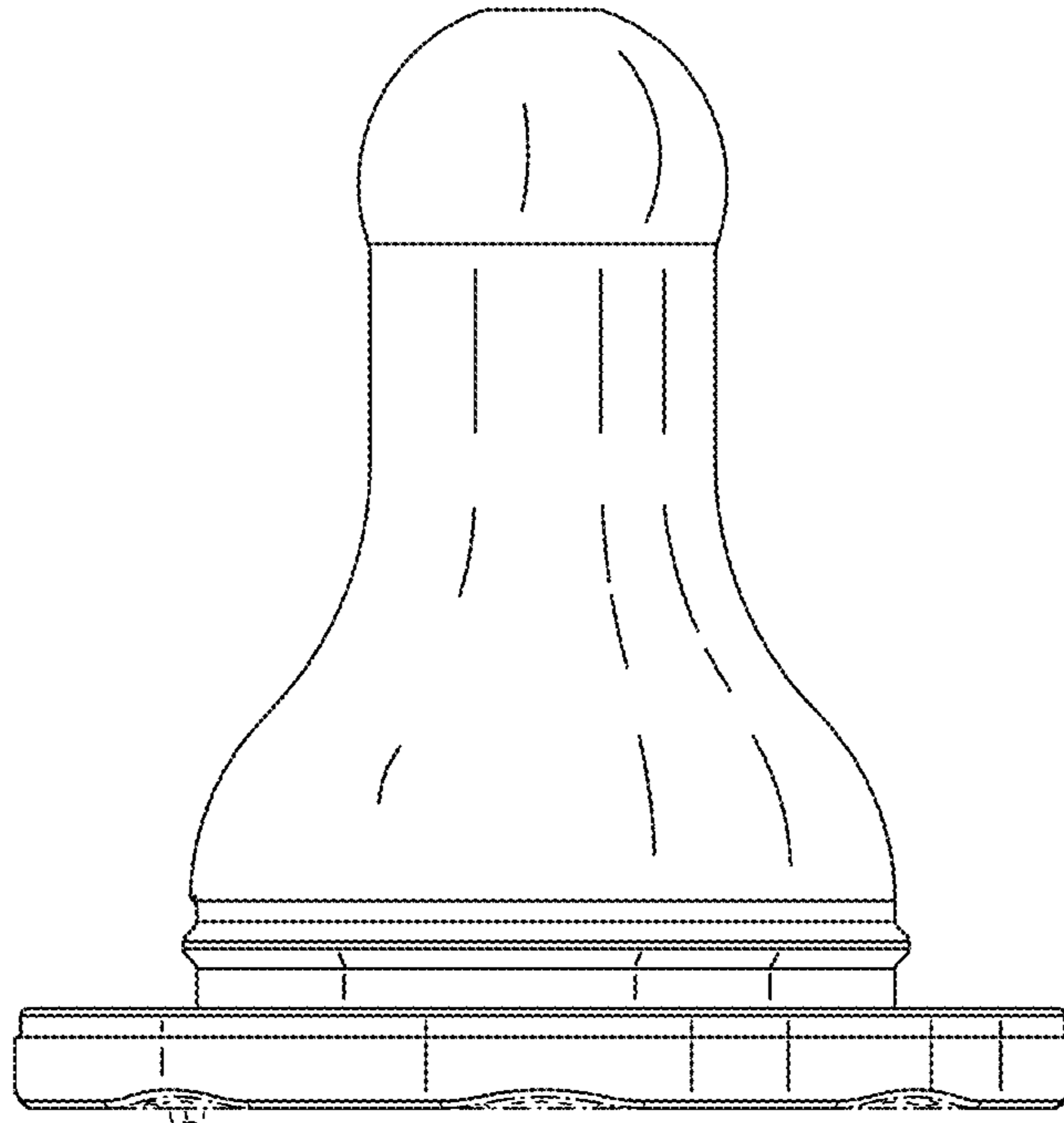


FIG. 3

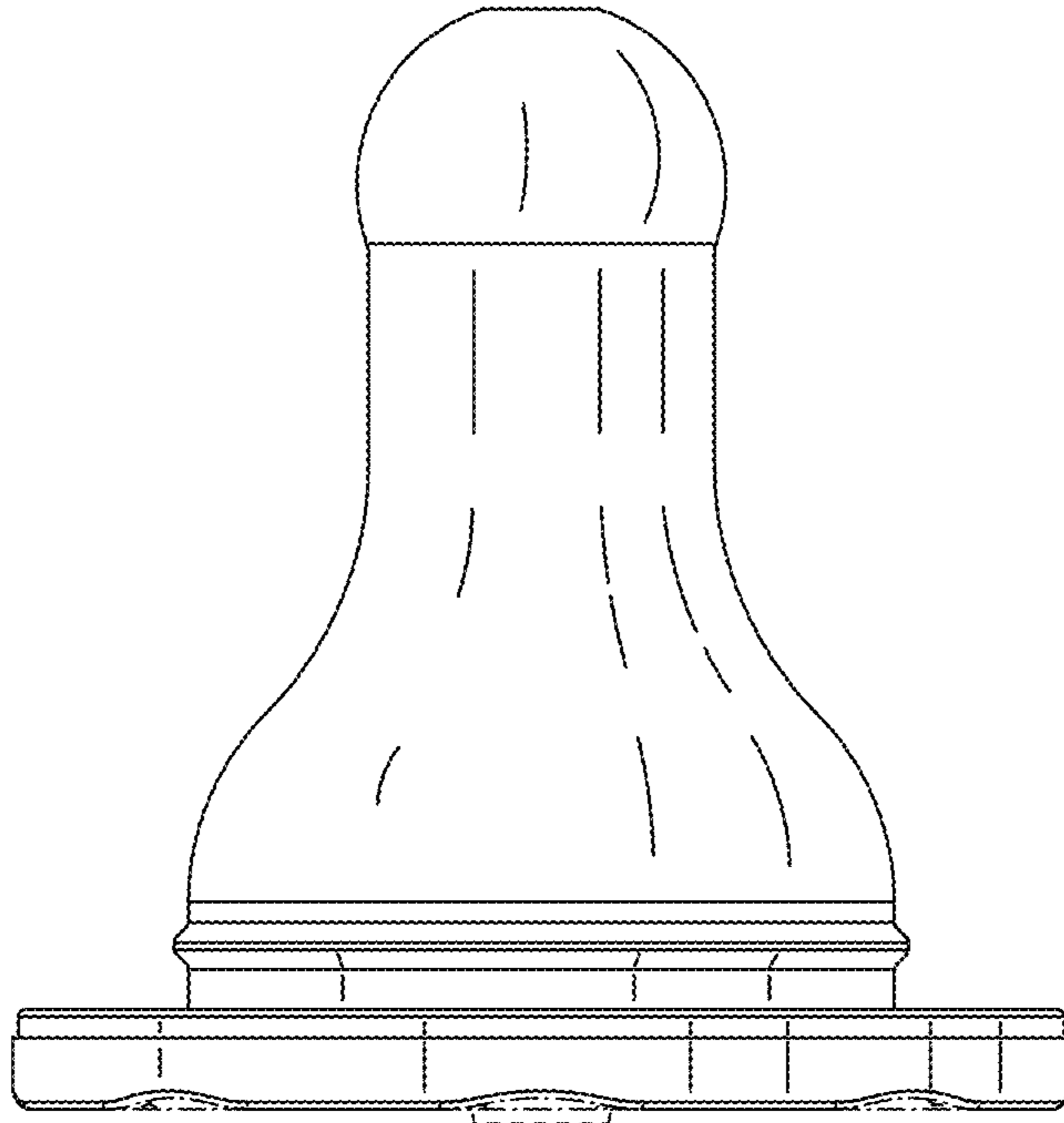


FIG. 4

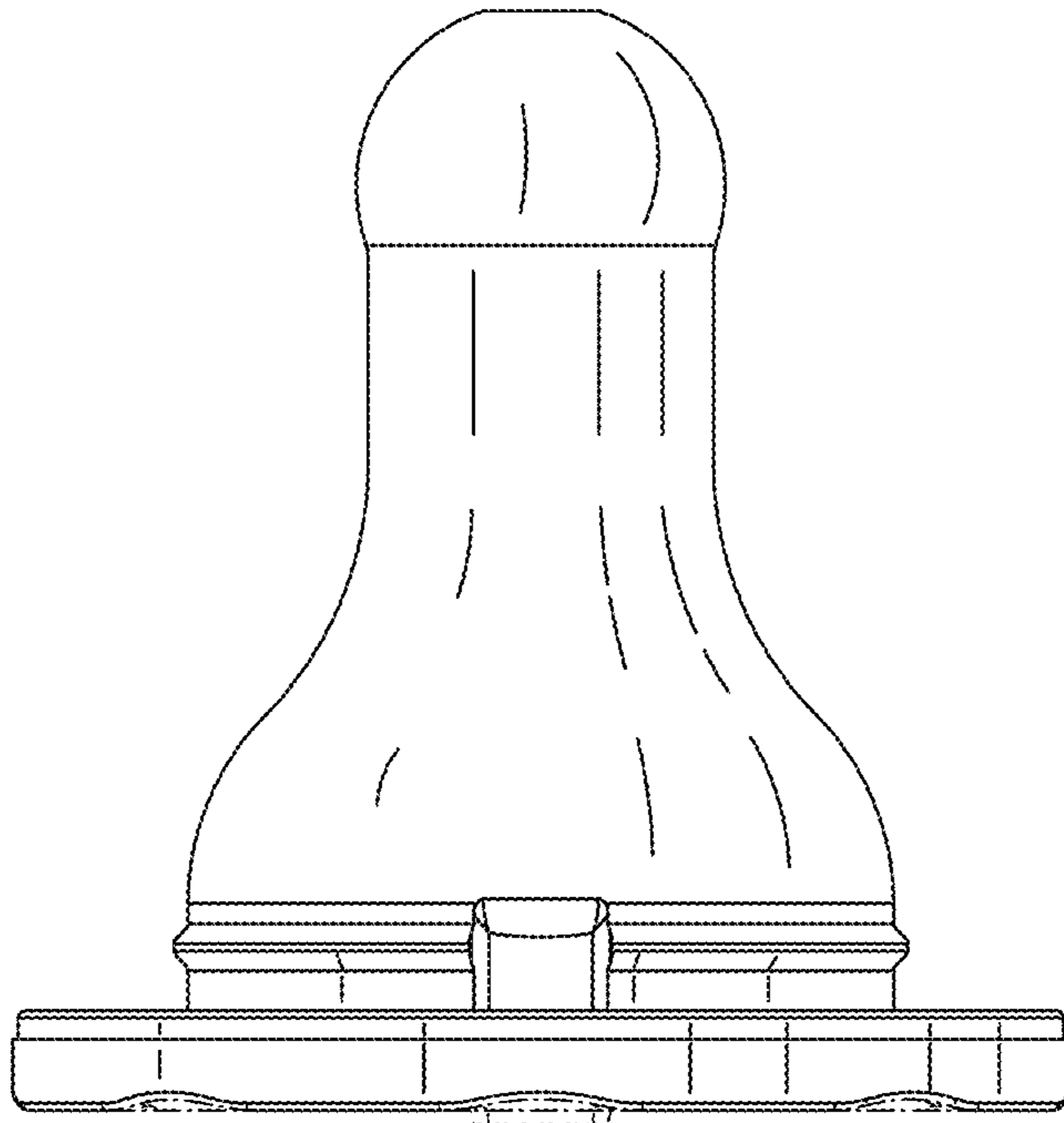


FIG. 5

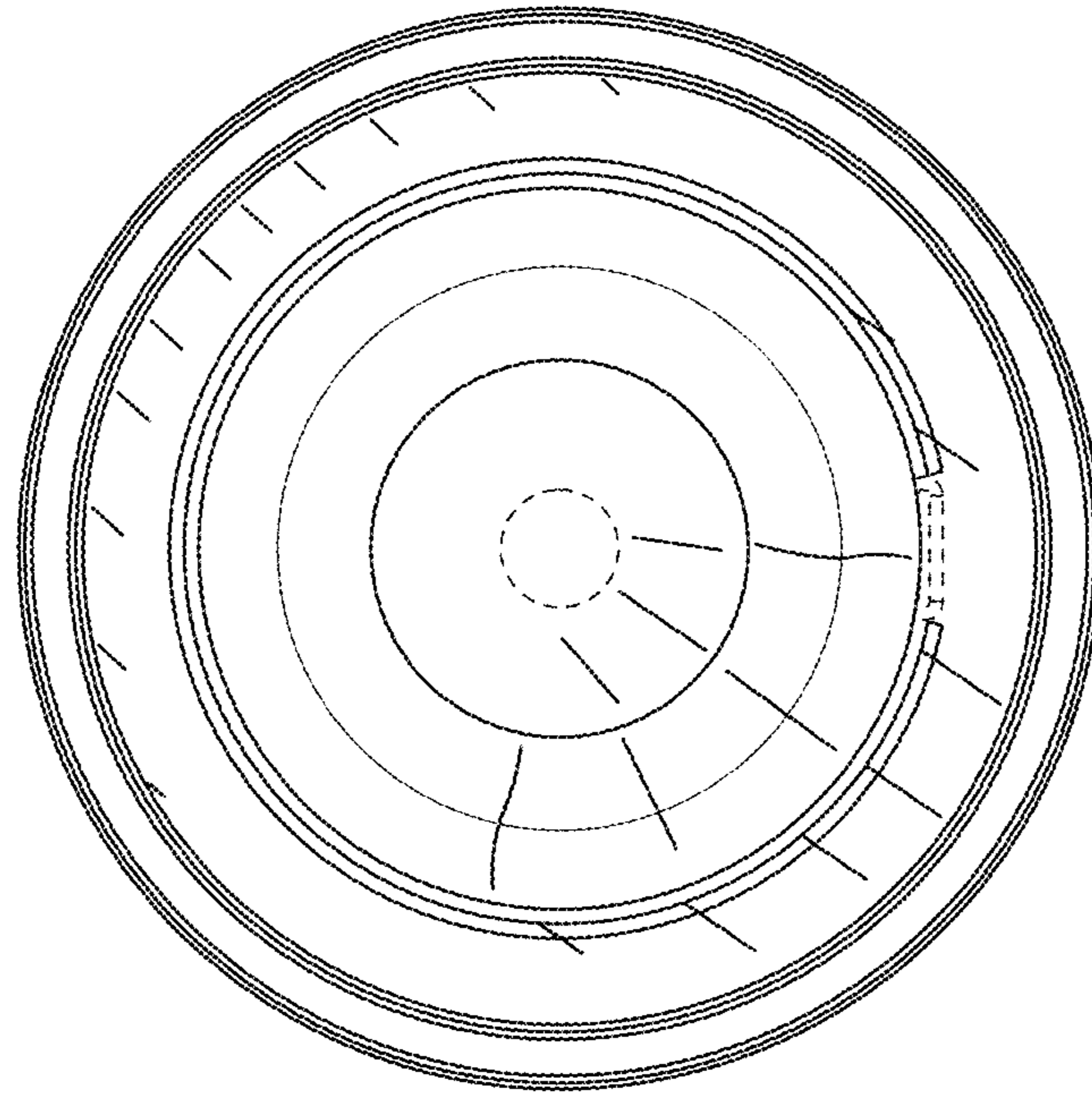


FIG. 6



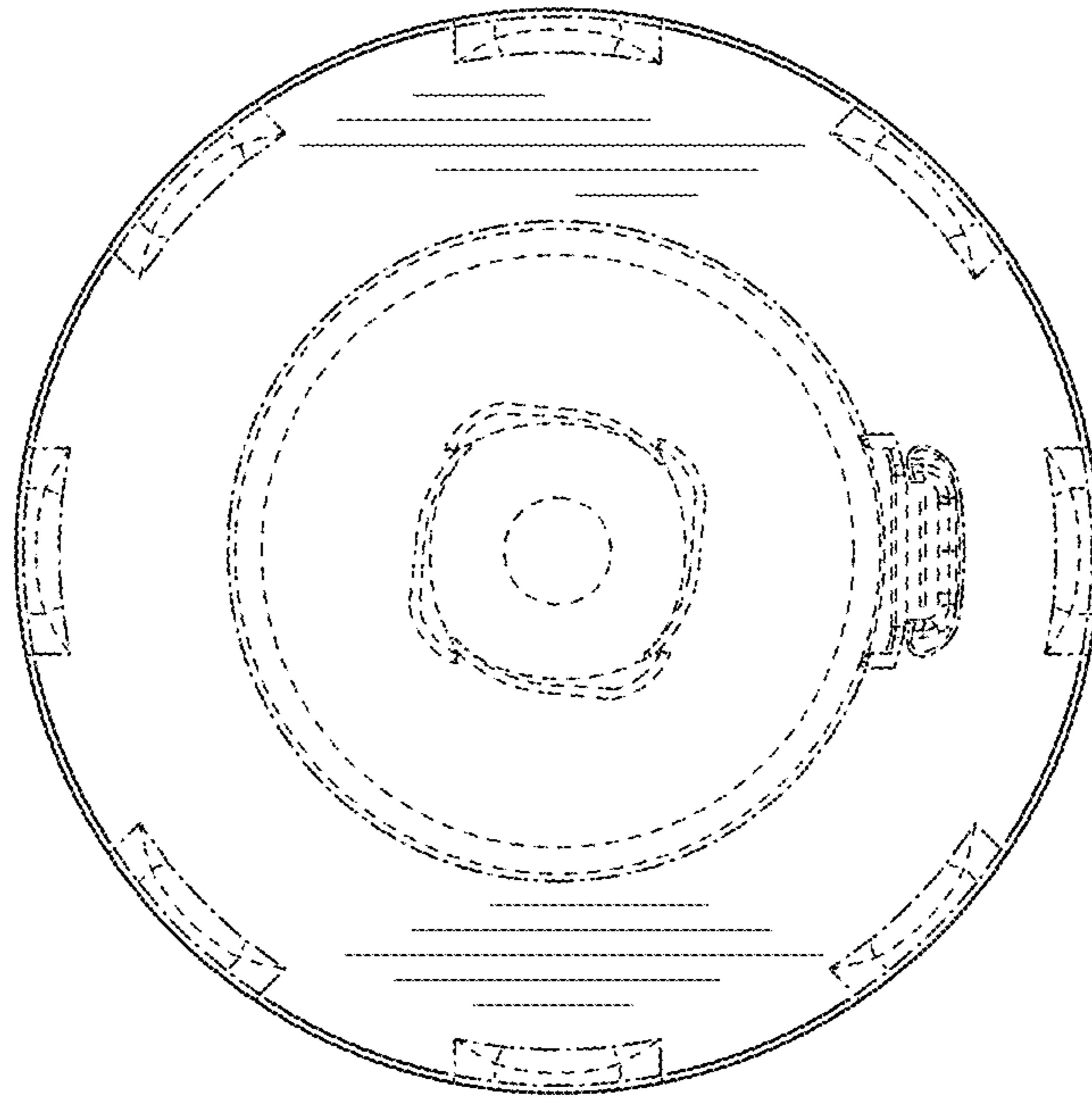


FIG. 7