



(12) **United States Design Patent** (10) **Patent No.:** **US D848,627 S**
Lee (45) **Date of Patent:** **** *May 14, 2019**

(54) **PACIFIER**

(71) Applicant: **Sue S. Lee**, Framingham, MA (US)

(72) Inventor: **Sue S. Lee**, Framingham, MA (US)

(73) Assignee: **Sue S. Lee**, Framingham, MA (US)

(*) Notice: This patent is subject to a terminal disclaimer.

(**) Term: **15 Years**

(21) Appl. No.: **29/585,128**

(22) Filed: **Nov. 21, 2016**

(51) **LOC (11) Cl.** **24-04**

(52) **U.S. Cl.**
 USPC **D24/194**

(58) **Field of Classification Search**
 USPC D24/117, 193, 194, 195, 196, 199
 CPC A61J 17/001; A61J 17/02
 See application file for complete search history.

(56) **References Cited**

U.S. PATENT DOCUMENTS

D409,309 S *	5/1999	Tollman	D24/194
D448,486 S *	9/2001	Horntrich	D24/194
D477,411 S *	7/2003	Kroepel	D24/194
D480,147 S *	9/2003	Sanbrook	D24/193
D490,158 S *	5/2004	Ajibolade	D24/193
D550,851 S *	9/2007	Roehrig	D24/193
D623,304 S *	9/2010	Sierra	D24/194
D655,015 S *	2/2012	Castro Barreras	D24/194
8,545,537 B2 *	10/2013	Murphy Matro	A61J 17/001 606/234
D700,344 S *	2/2014	Jackson-Berry	D24/194
2017/0224590 A1 *	8/2017	Lee	A61J 11/007

OTHER PUBLICATIONS

“YouTube—Paciflow—Orolux.” Found online Sep. 25, 2018 at www.youtube.com. Video published May 11, 2016. Retrieved from URL: <https://www.youtube.com/watch?v=jwbHcTwnd-o> (Year: 2016).*

“Nano Silver Silicone Dummy.” Found online Sep. 25, 2018 at www.itsybitsybaby.com. Page dated Jun. 2, 2018. Retrieved from URL: <https://www.itsybitsybaby.com.my/pacifier-haakaa> (Year: 2018).*

“Medela Contact Nipple Shield.” Found online Sep. 25, 2018 at www.amazon.com. Page dated Aug. 7, 2015. Retrieved from URL: <https://www.amazon.com/Medela-Contact-Nipple-Shield-24mm/dp/B000067PQ0?th=1> (Year: 2015).*

“Dr. Brown’s One Piece Silicone Pacifier Product Review.” Found online Sep. 25, 2018 at ourstart.com. Page dated Nov. 13, 2017. Retrieved from URL: <https://ourstart.com/dr-browns-one-piece-silicone-pacifier-product-review/> (Year: 2017).*

* cited by examiner

Primary Examiner — Garth Rademaker
Assistant Examiner — Katelin G Kloberg
 (74) *Attorney, Agent, or Firm* — Mintz Levin Cohn Ferris Glovsky and Popeo, P.C.; Kongsik Kim

(57) **CLAIM**

The ornamental design for a pacifier, as shown and described.

DESCRIPTION

FIG. 1 is a perspective view of a pacifier according to the present invention.
 FIG. 2 is another perspective view of the pacifier thereof.
 FIG. 3 is a front view of the pacifier thereof.
 FIG. 4 is a rear view of the pacifier thereof.
 FIG. 5 is a left side view of the pacifier thereof.
 FIG. 6 is a right side view of the pacifier thereof.
 FIG. 7 is a top view of the pacifier thereof; and,
 FIG. 8 is a bottom view of the pacifier thereof.

1 Claim, 8 Drawing Sheets

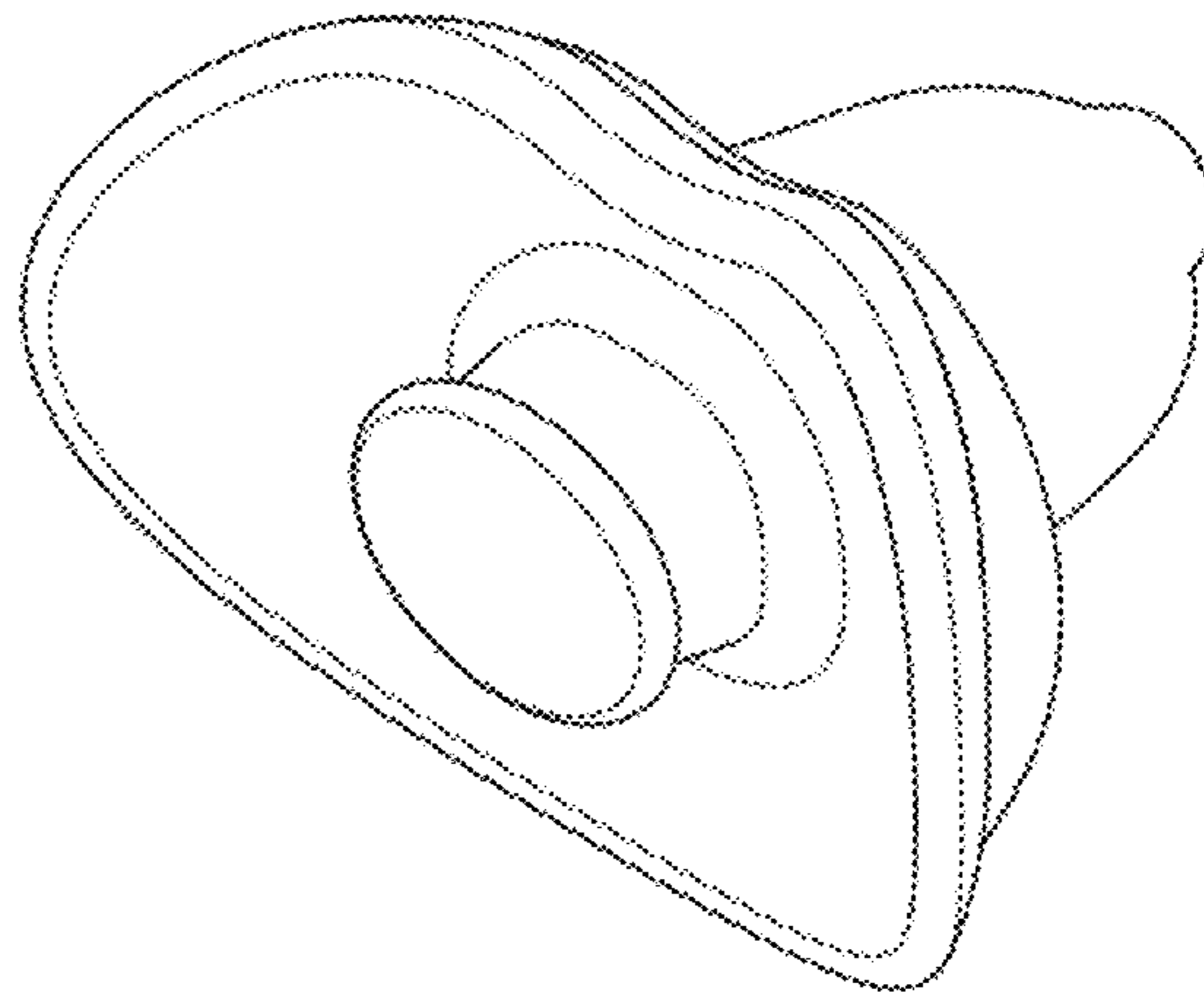
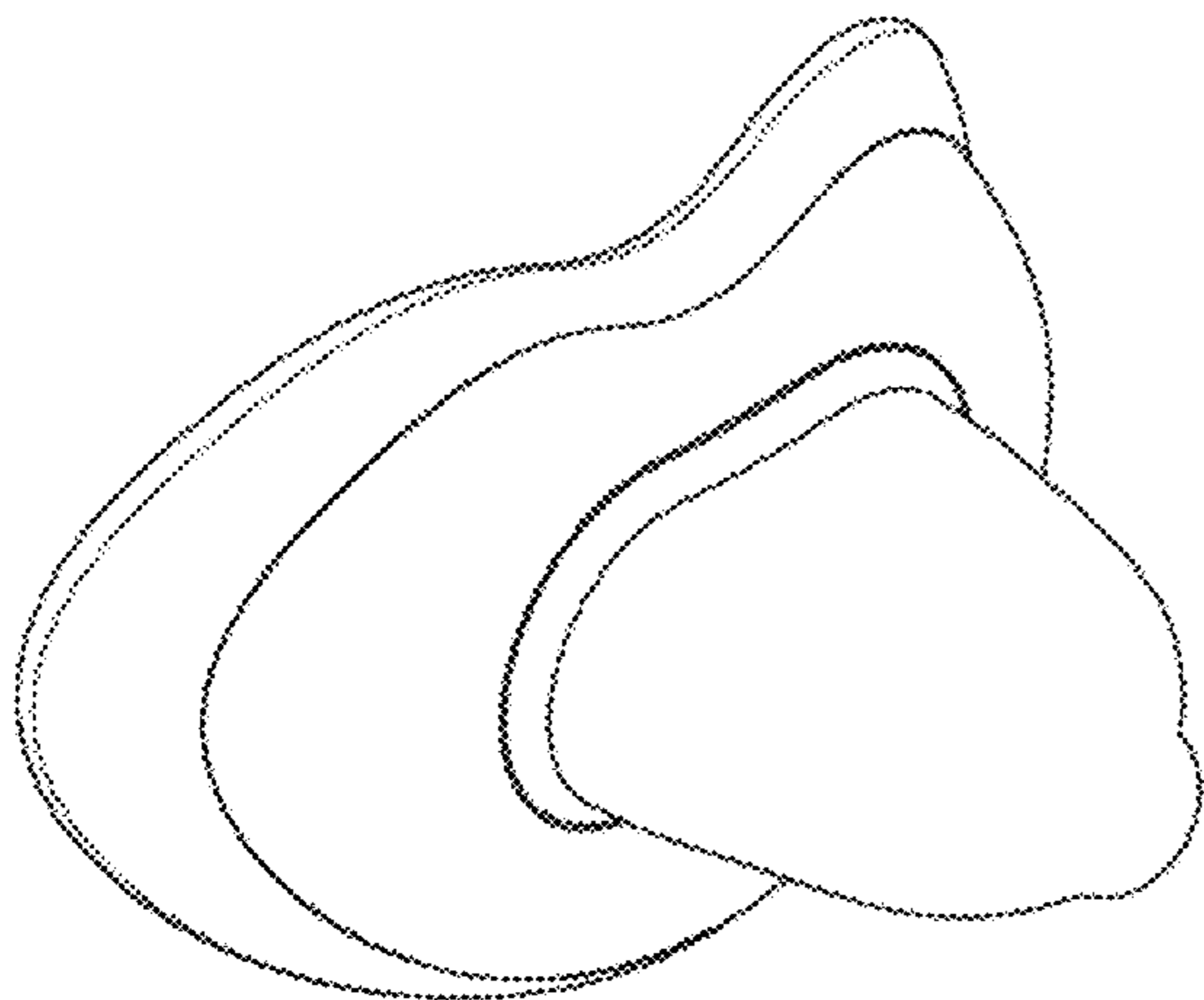


FIG. 1

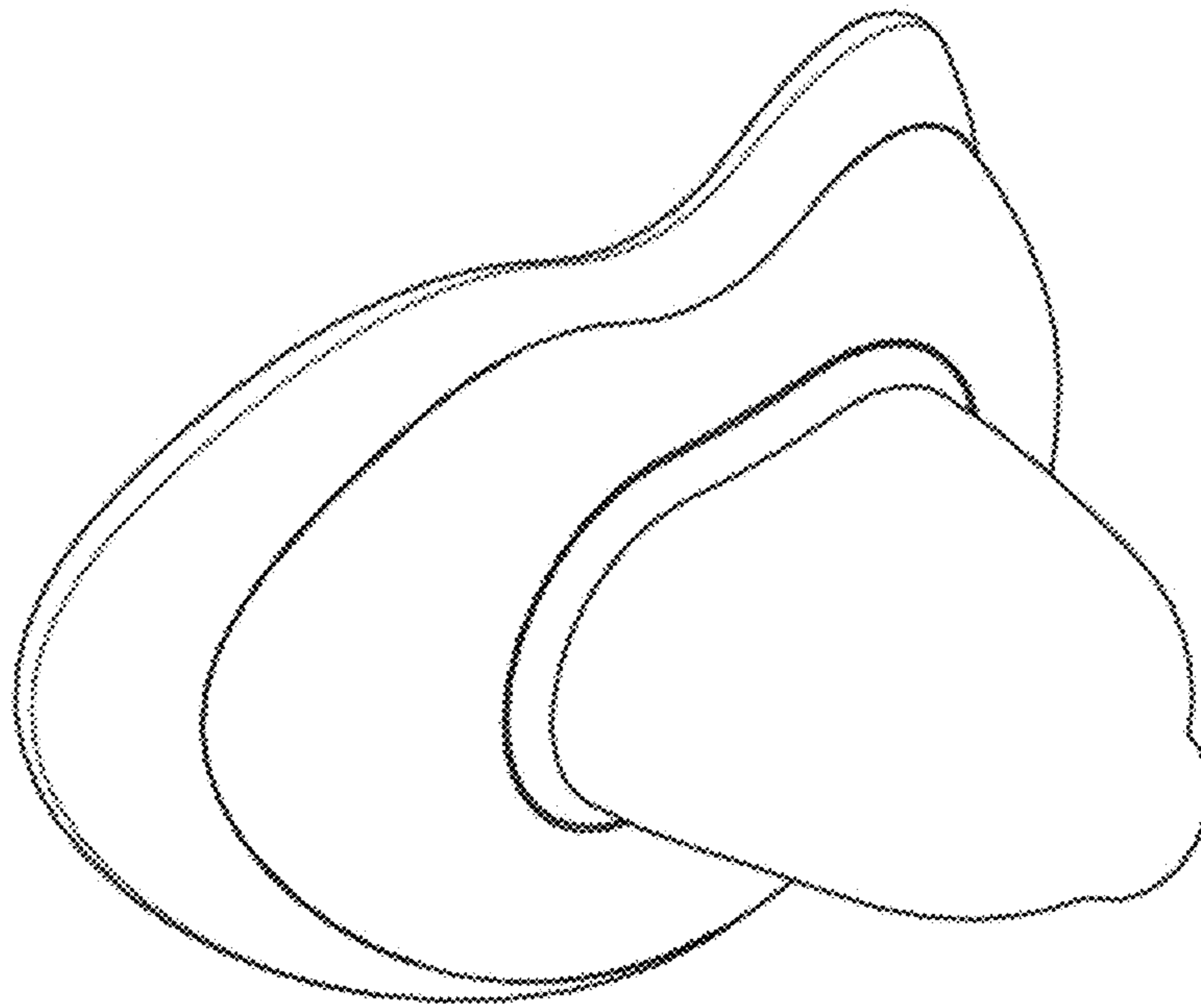


FIG. 2

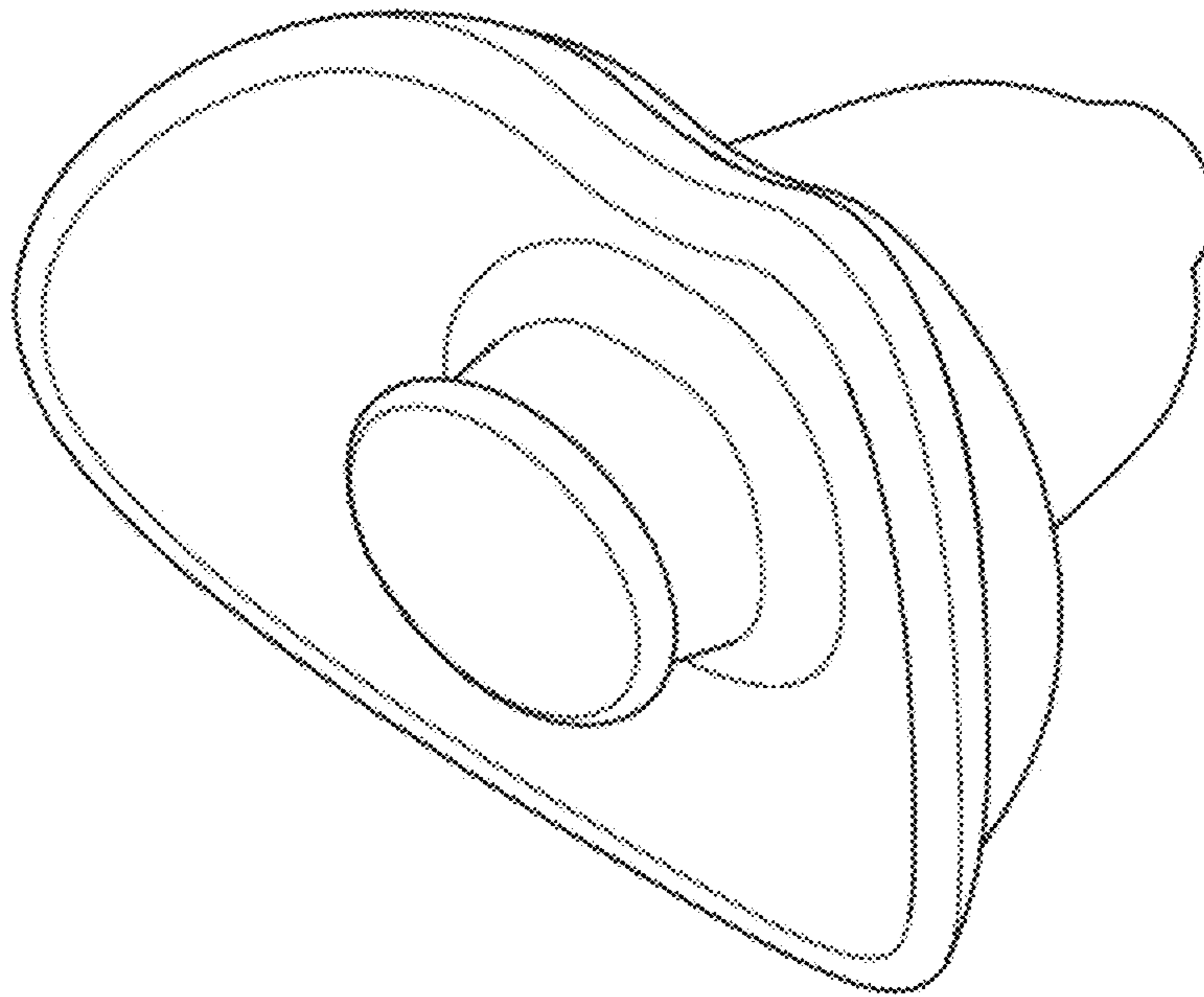


FIG. 3

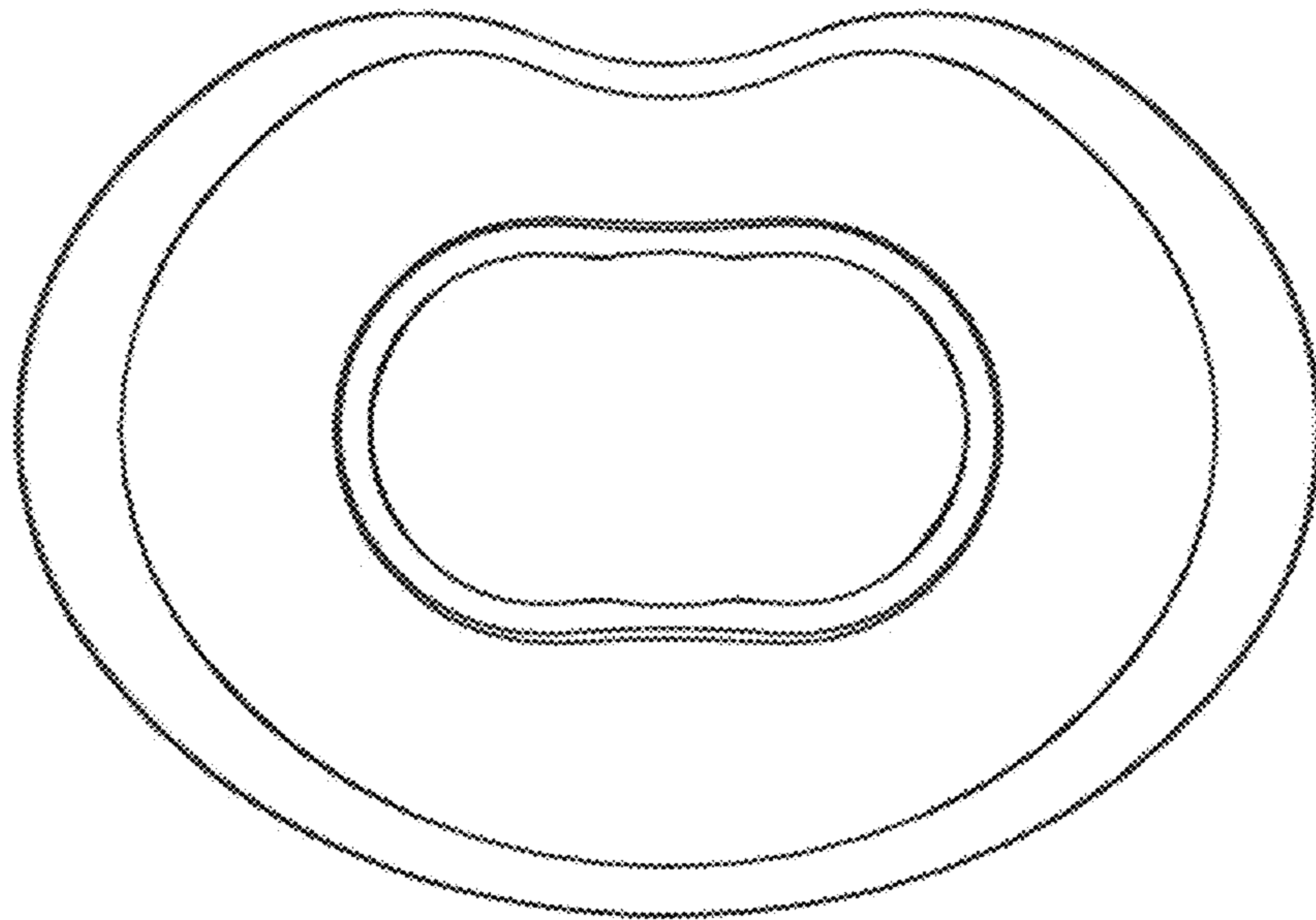


FIG. 4

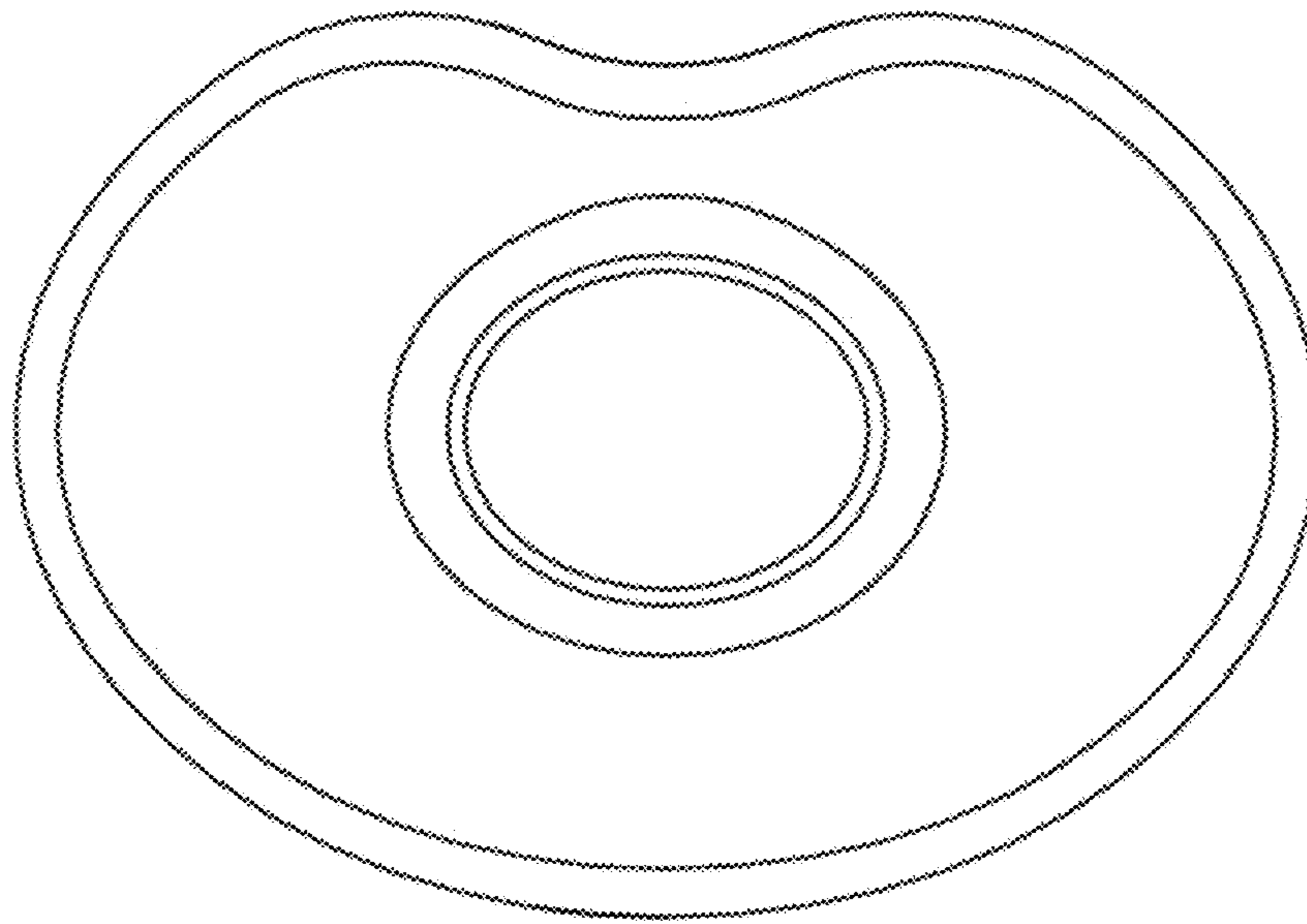


FIG. 5

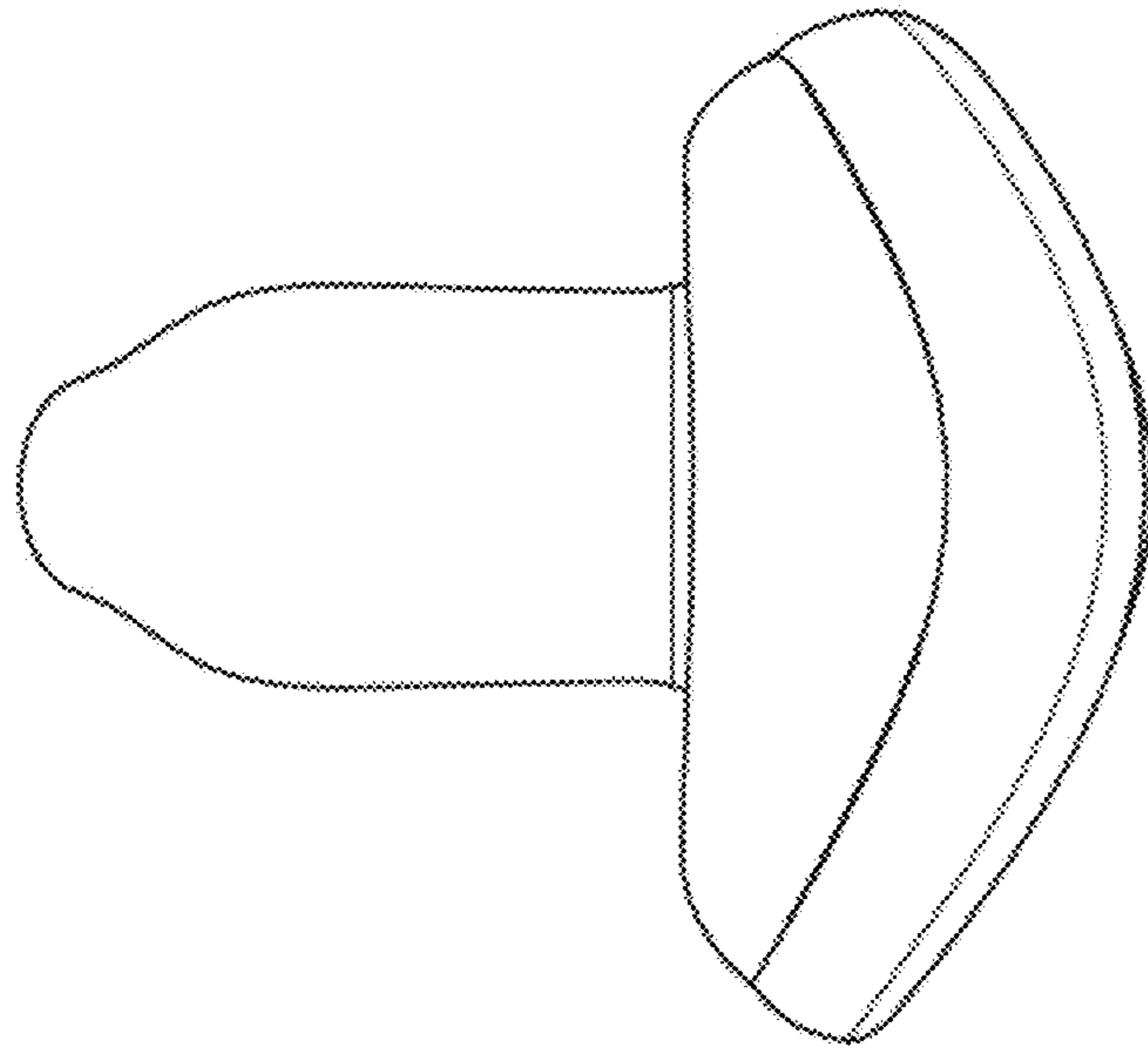


FIG. 6

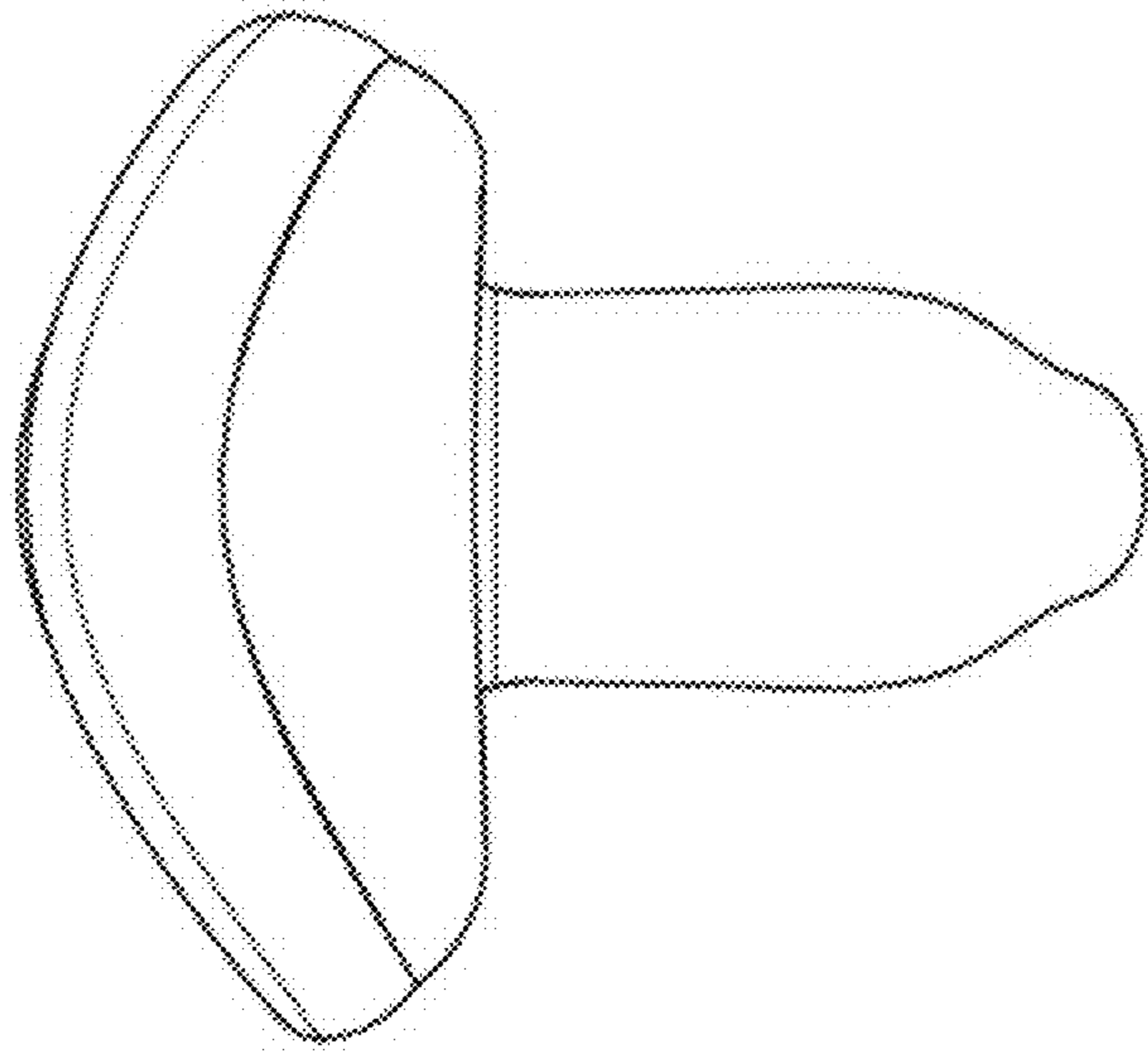


FIG. 7

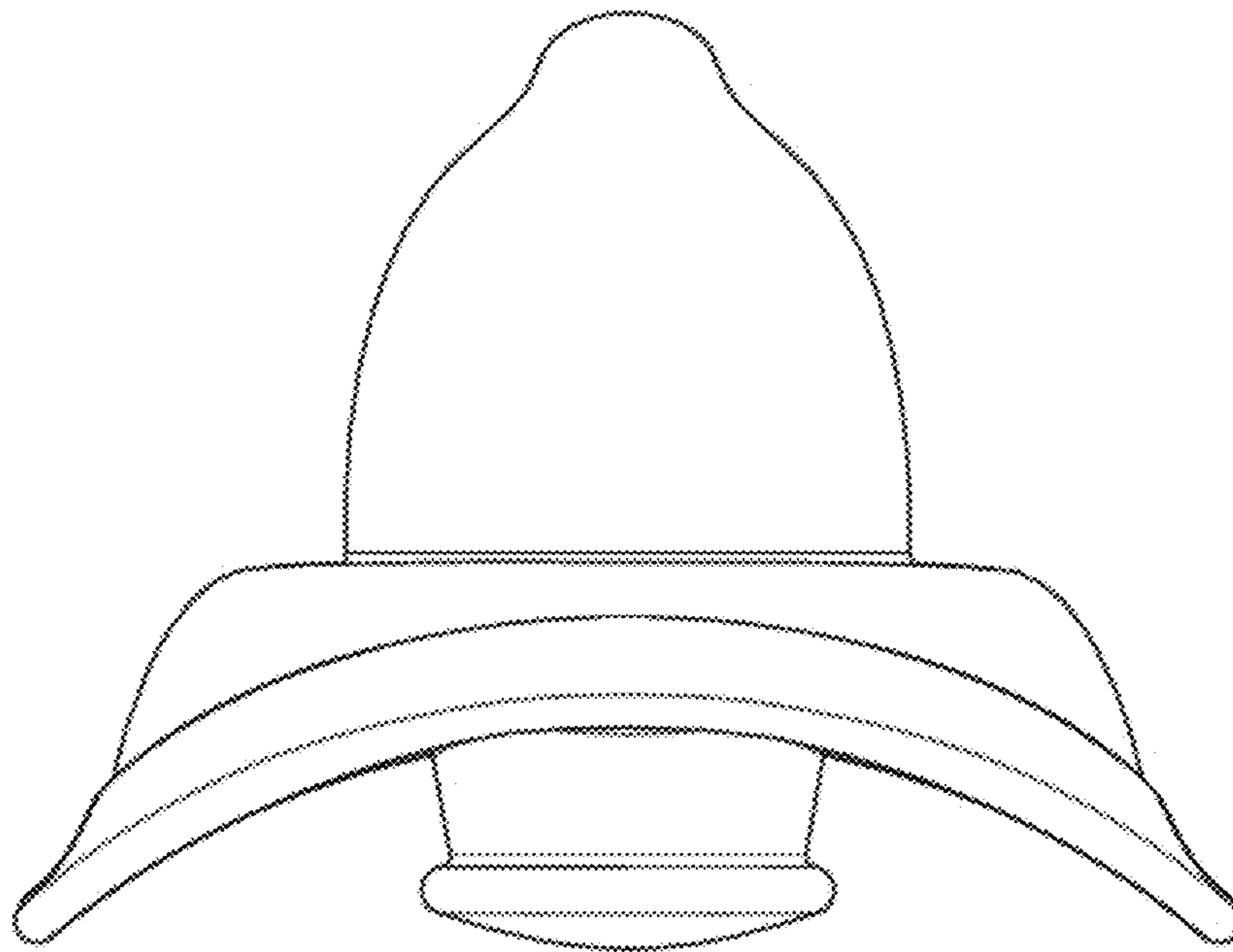


FIG. 8

