



US00D848623S

(12) **United States Design Patent** (10) **Patent No.:** **US D848,623 S**
Franche (45) **Date of Patent:** **** May 14, 2019**

(54) **PHYSICAL THERAPY BALANCE BOARD**
(71) Applicant: **Chad Franche**, Arlington Heights, IL (US)
(72) Inventor: **Chad Franche**, Arlington Heights, IL (US)
(73) Assignee: **THERREX INNOVATIONS, LLC**, Arlington Heights, IL (US)

Primary Examiner — George D. Kirschbaum
Assistant Examiner — Darcey E Heflin
(74) *Attorney, Agent, or Firm* — Bishop, Diehl & Lee, Ltd.

(**) Term: **15 Years**

(57) **CLAIM**

The ornamental design for the physical therapy balance board, as shown and described.

(21) Appl. No.: **29/613,478**
(22) Filed: **Aug. 10, 2017**
(51) **LOC (11) Cl.** **24-04**
(52) **U.S. Cl.**
USPC **D24/188**
(58) **Field of Classification Search**
USPC D24/155, 183, 188–192, 199, 200, 206, 207, 208, 209, 210, 211, 212–214
CPC A63B 22/16
See application file for complete search history.

DESCRIPTION

FIG. 1 is an elevated isometric view of a physical therapy balance board showing the new design;
FIG. 2 is a left side isometric view of the physical therapy balance board as shown in FIG. 1;
FIG. 3 is a right side isometric view of the physical therapy balance board as shown in FIG. 1;
FIG. 4 is a front isometric view of the physical therapy balance board as shown in FIG. 1;
FIG. 5 is a rear isometric view of the physical therapy balance board as shown in FIG. 1;
FIG. 6 is a top view of the physical therapy balance board as shown in FIG. 1;
FIG. 7 is a bottom view of the physical therapy balance board as shown in FIG. 1;
FIG. 8 is a left rear side view of the physical therapy balance board taken 45 degrees counterclockwise from the left side view of FIG. 2;
FIG. 9 is a right front side view of the physical therapy balance board taken 45 degrees counter clockwise from the right side view of FIG. 3;
FIG. 10 is a left front side view of the physical therapy balance board taken 45 degrees clockwise from the left side view of FIG. 2; and,
FIG. 11 is a right rear side view of the physical therapy balance board taken 45 degrees clockwise from the right side view of FIG. 3.

(56) **References Cited**

U.S. PATENT DOCUMENTS

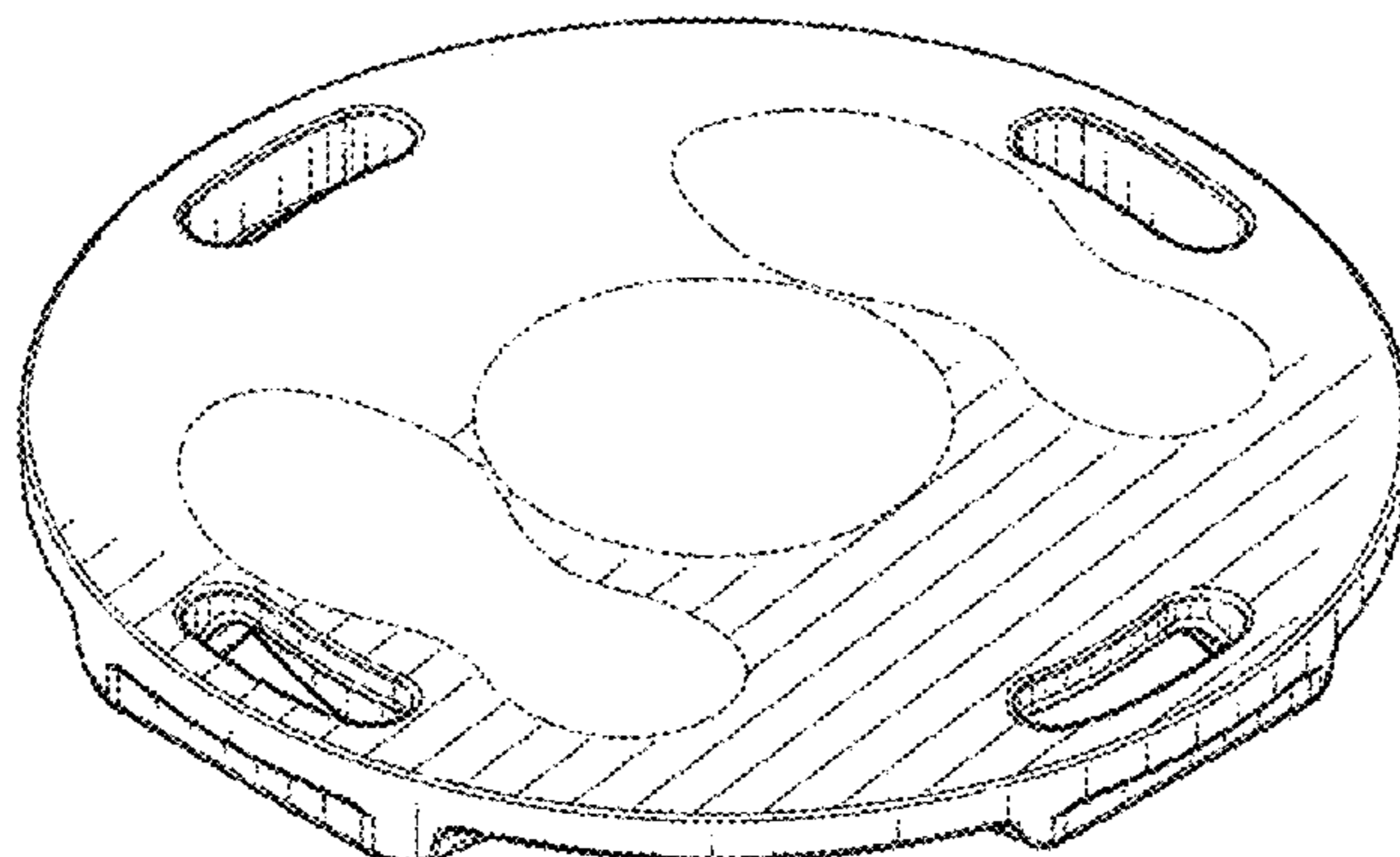
D34,964 S * 8/1901 Stauffer D11/96
D326,156 S * 5/1992 Martinez D24/155
D450,122 S * 11/2001 Michelson D24/155
D454,953 S * 3/2002 Michelson D24/155
D457,242 S * 5/2002 Michelson D24/155

(Continued)

OTHER PUBLICATIONS

School Specialty. School Specialty Can-Do MVP Round Balance Board, 20 in Round. 2018. <URL:https://www.schoolspecialty.com/balance-board-1481086?gclid=EA1a1QobChM1naTq8OfW3QIVVFmGCh3WuwRKEAQYBiABEgK3mvD_BwE>. (Year: 2018).*

1 Claim, 7 Drawing Sheets



(56)

References Cited

U.S. PATENT DOCUMENTS

D623,743	S	*	9/2010	Den Hartog	D24/155
D630,336	S	*	1/2011	Park	D24/213
D665,089	S	*	8/2012	Brown	D24/190
D713,969	S	*	9/2014	Robinson	D24/200
D715,449	S	*	10/2014	Wang	D24/188
D739,935	S	*	9/2015	Blain	D24/155
D741,487	S	*	10/2015	Langford	D24/155
D754,358	S	*	4/2016	Krullaards	D24/188
D774,653	S	*	12/2016	Christmas	D12/128
D779,676	S	*	2/2017	Chapman	D24/188
D805,699	S	*	12/2017	Agadzi	D29/121.2
2016/0325135	A1	*	11/2016	Franche	A63B 22/16

* cited by examiner

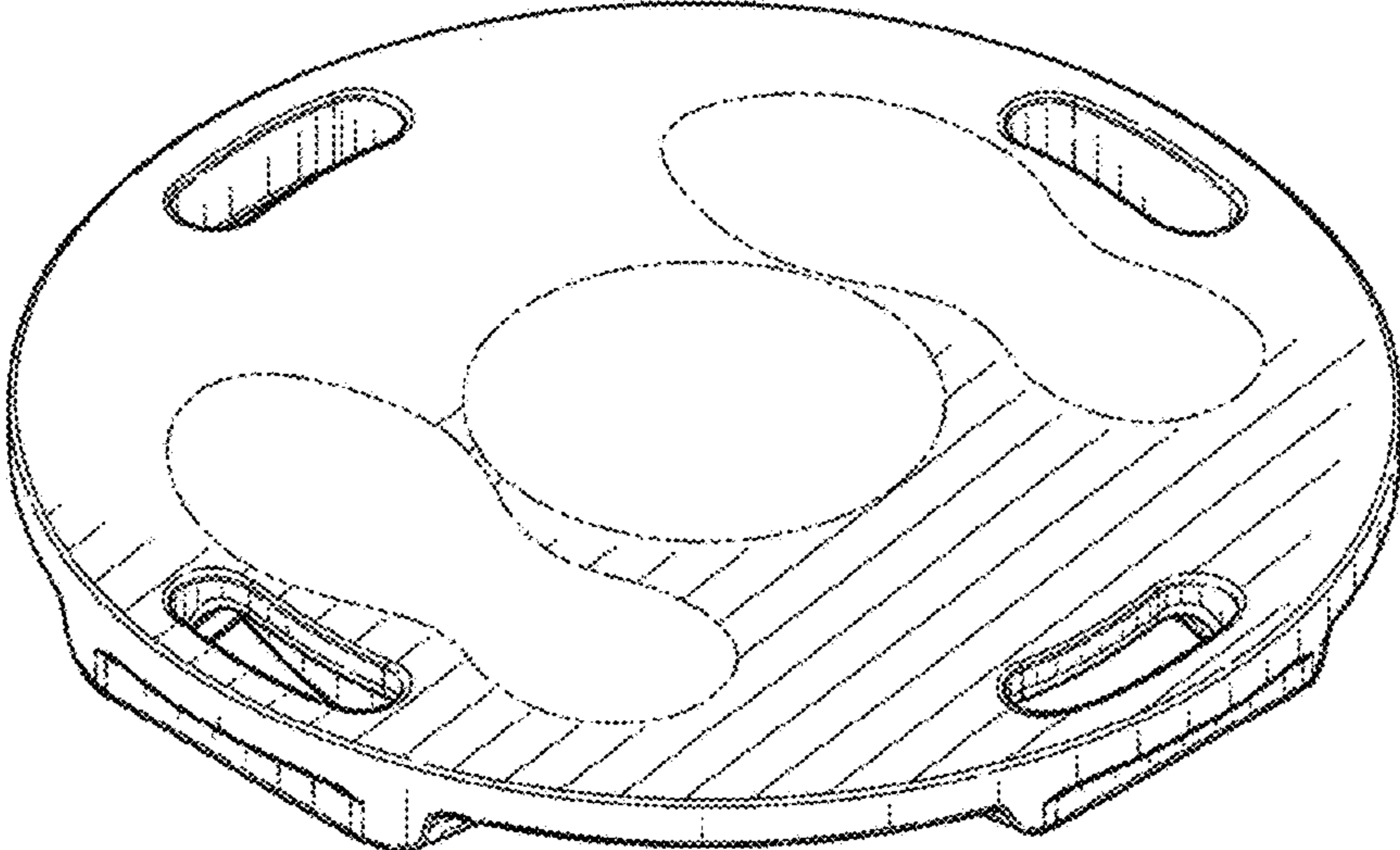


Fig. 1

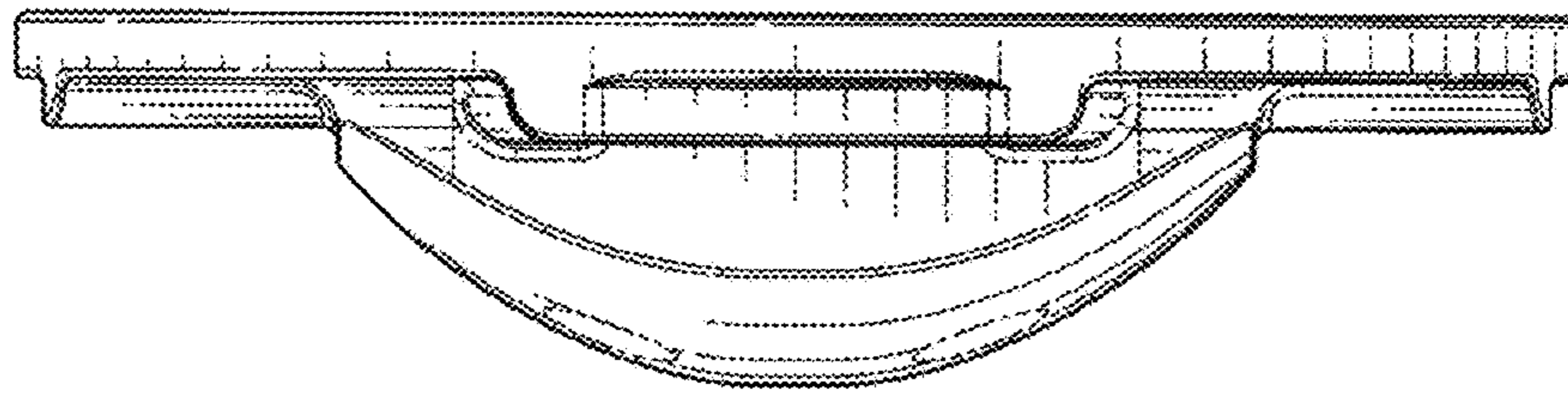


Fig. 2

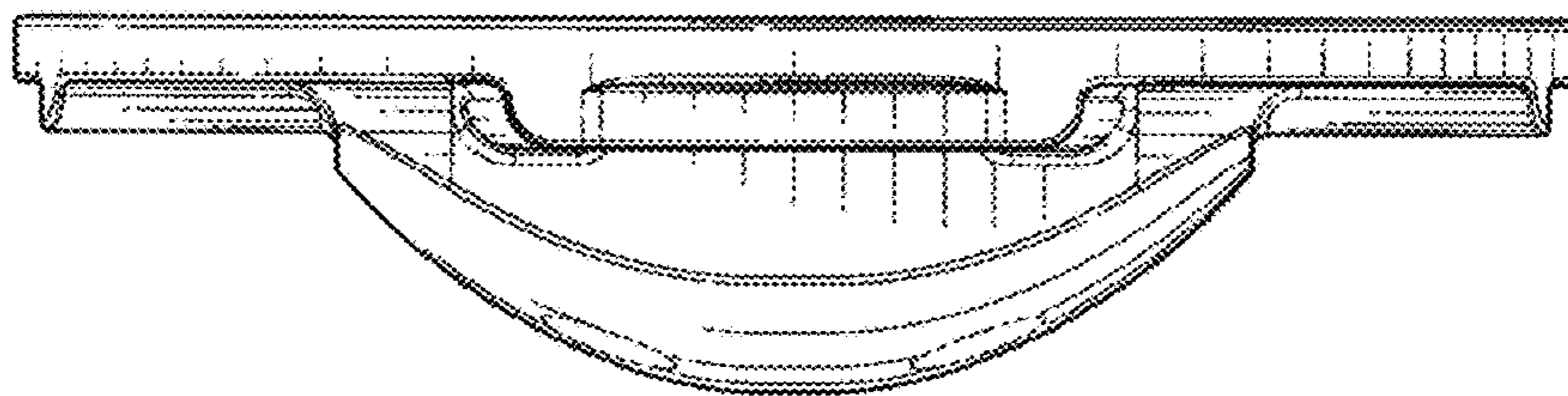


Fig. 3

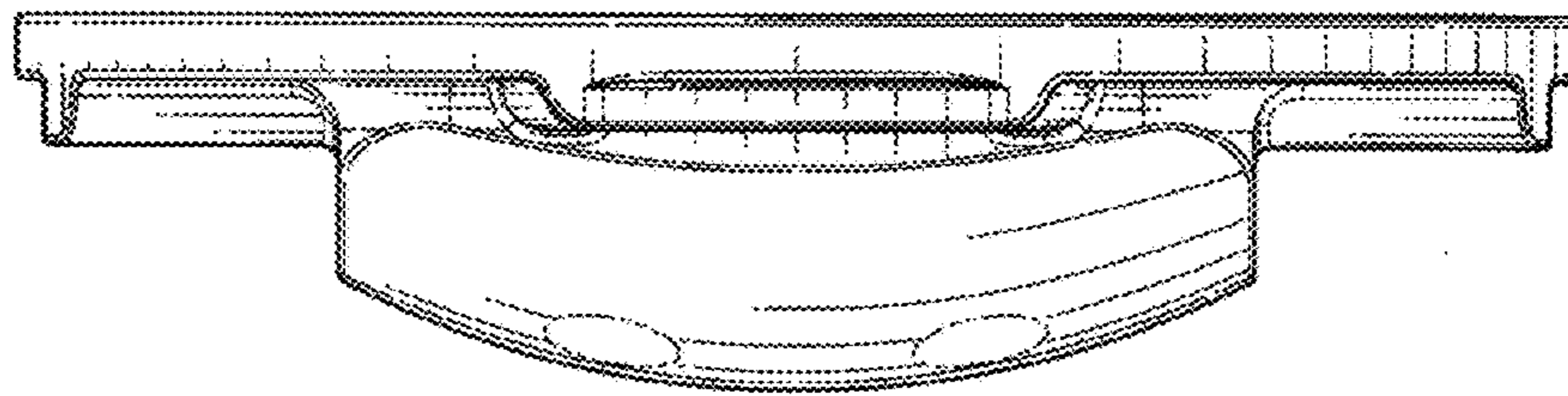


Fig. 4

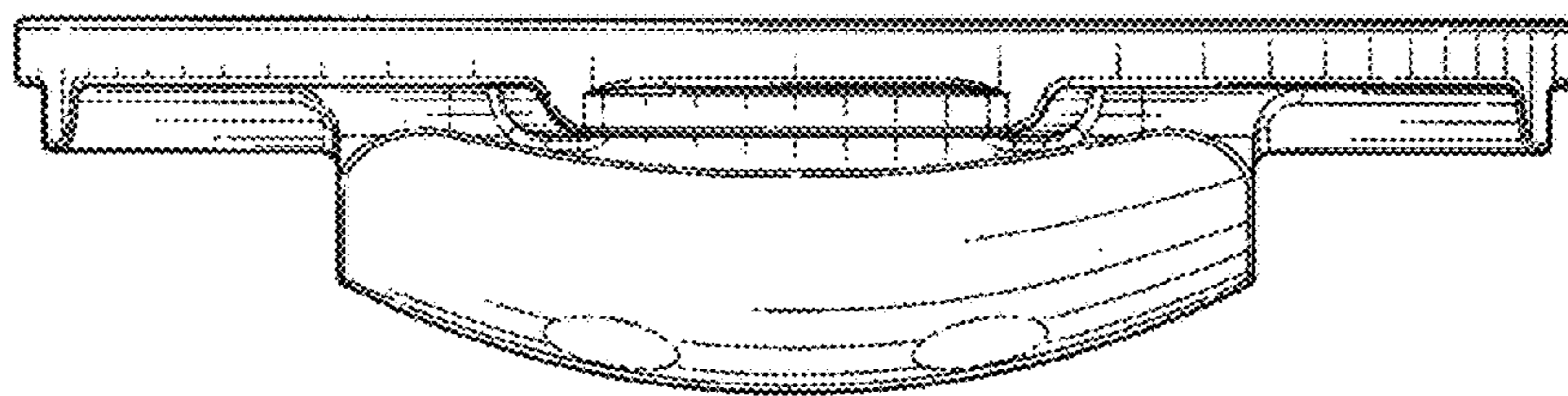


Fig. 5

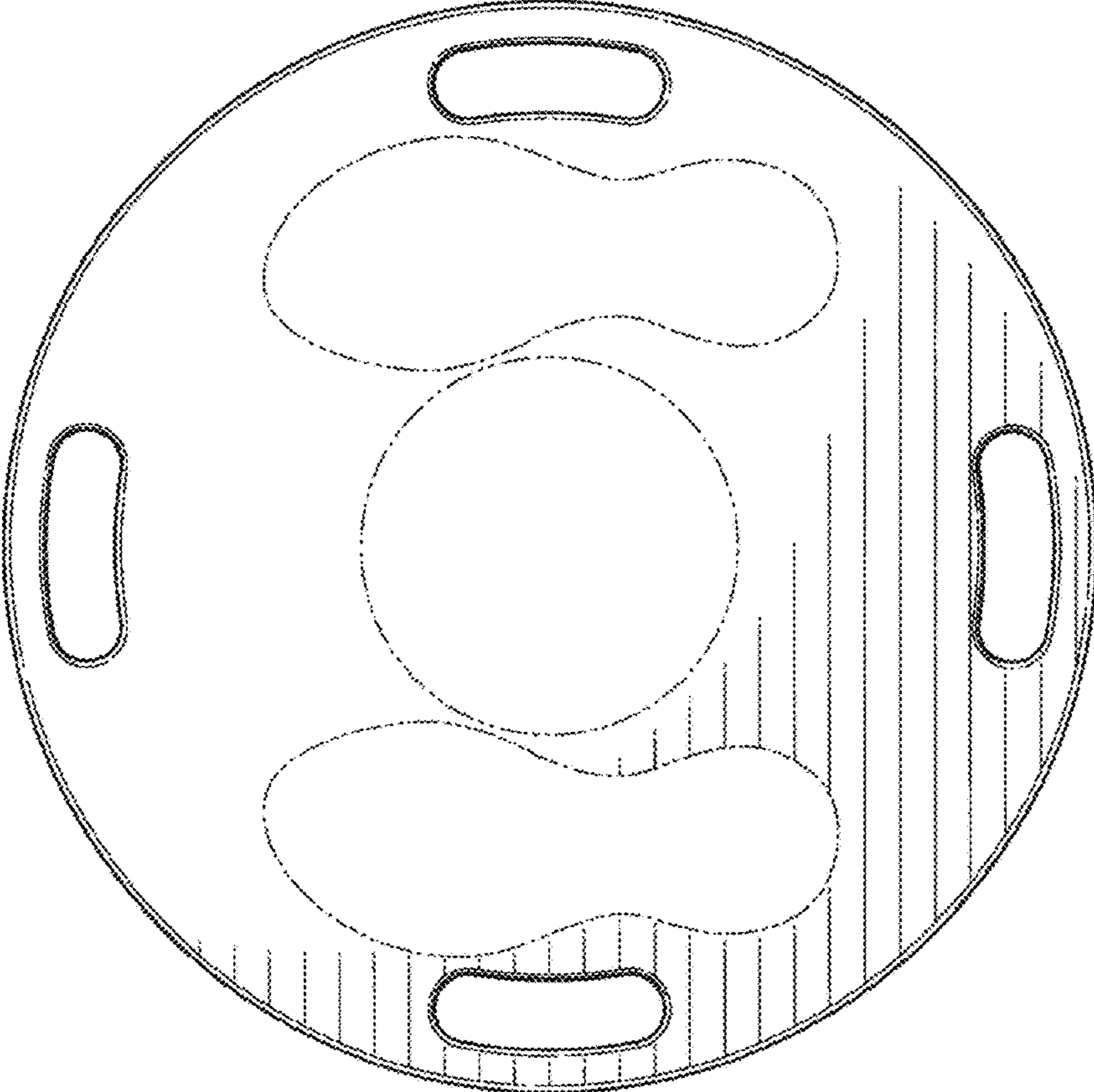


Fig. 6

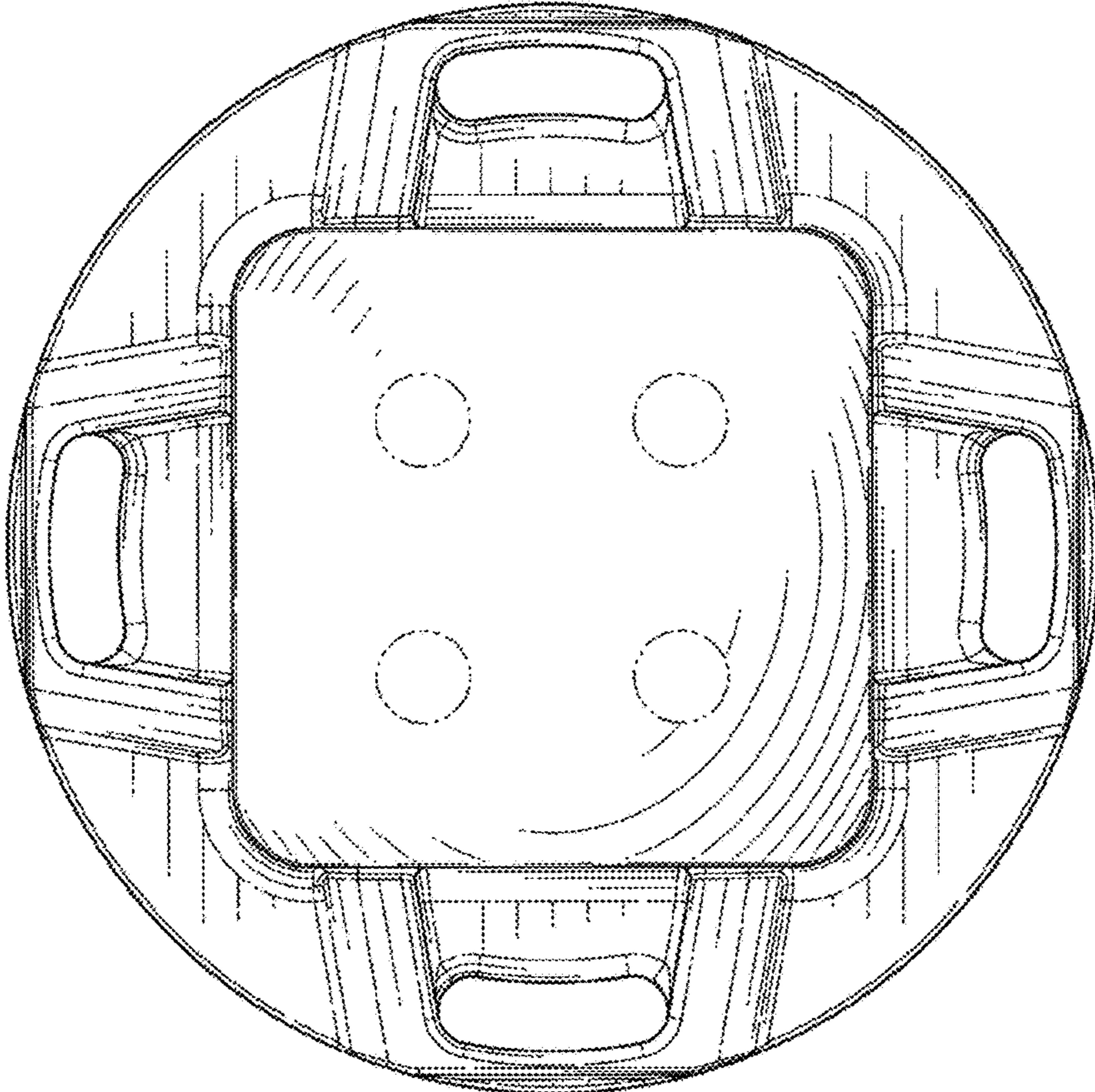


Fig. 7

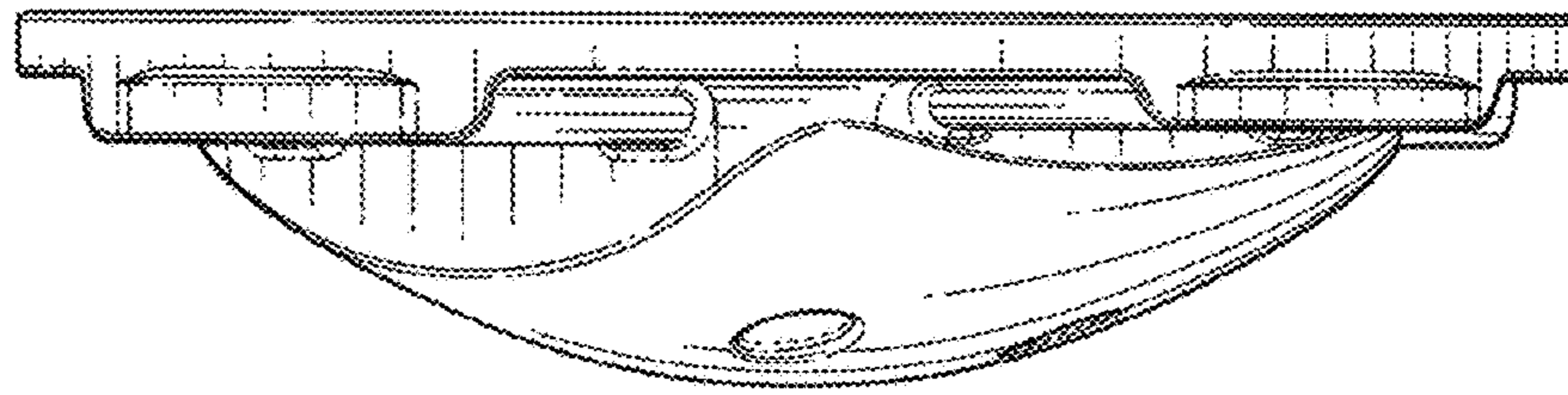


Fig. 8

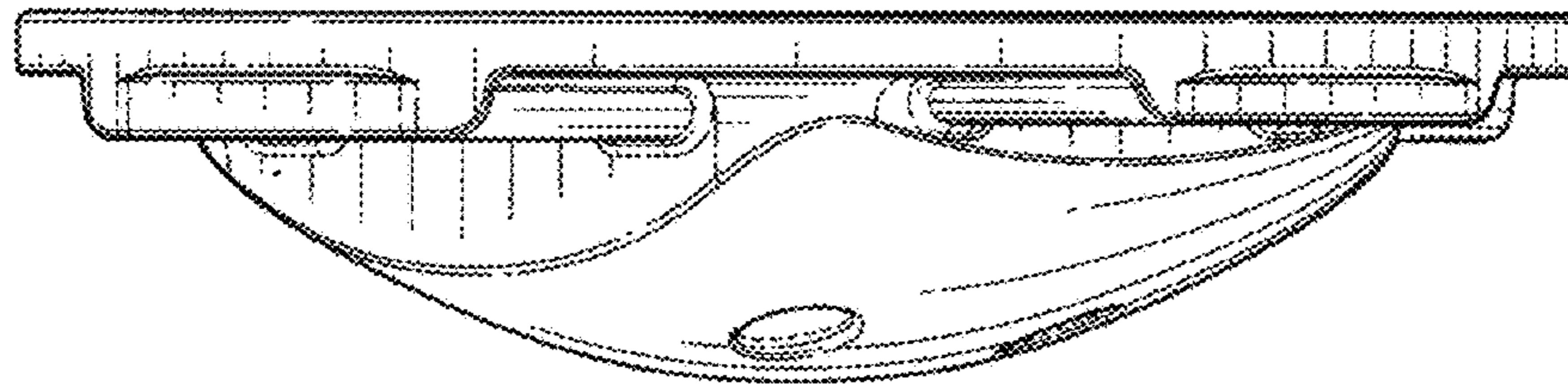


Fig. 9

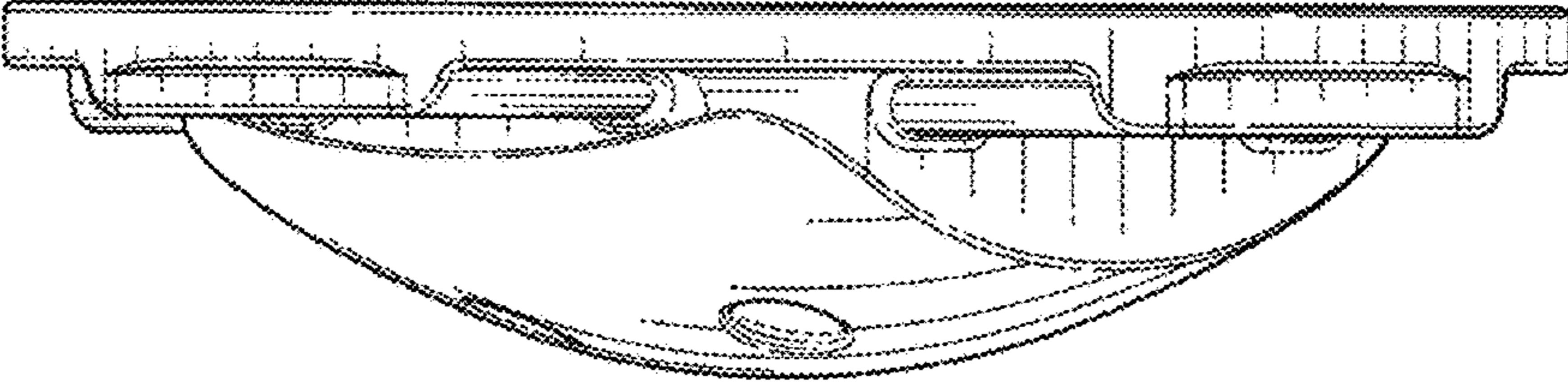


Fig. 10

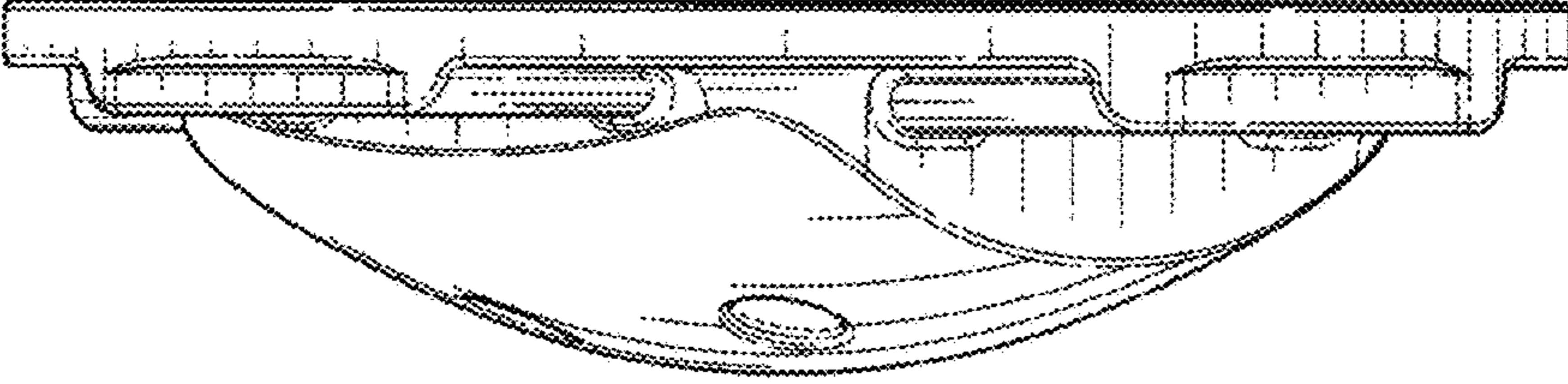


Fig. 11