



US00D848622S

(12) **United States Design Patent** (10) **Patent No.:** **US D848,622 S**  
**Zuckerman-Stark et al.** (45) **Date of Patent:** **\*\* May 14, 2019**

(54) **FINGER PROBE**

(56) **References Cited**

(71) Applicant: **Medasense Biometrics Ltd.**, Ramat Gan (IL)

(72) Inventors: **Galit Zuckerman-Stark**, Tel Aviv (IL); **Adi Costa**, Kfar Saba (IL); **Shimon Hayun**, Rosh Haayin (IL); **Refael Gil Koby**, Kochav Yair (IL); **Naum Muchnik**, Yokneam-Ilit (IL); **Avi Kayton**, Tel Aviv (IL)

(73) Assignee: **MEDASENSE BIOMETRICS LTD.**, Ramat Gan (IL)

U.S. PATENT DOCUMENTS

5,152,293 A	10/1992	Vonesh et al.	
D362,070 S *	9/1995	Willis .....	D24/186
5,895,871 A	4/1999	Patton et al.	
5,997,817 A	12/1999	Crismore et al.	
D472,644 S	4/2003	Dawson et al.	
D494,273 S	8/2004	Haugland et al.	
D594,127 S	6/2009	Causevic et al.	
D615,655 S *	5/2010	Maser .....	D24/169
D618,802 S	6/2010	Brady et al.	
D644,329 S	8/2011	North et al.	
D676,562 S *	2/2013	Marzynski .....	D24/186
D698,442 S	1/2014	Steward, Jr. et al.	
D704,849 S *	5/2014	Hunter .....	D24/188
D710,005 S	7/2014	Kawamura	
D716,677 S	11/2014	Messier et al.	
D717,955 S *	11/2014	Bishay .....	D24/167
D720,074 S *	12/2014	Suvilaakso .....	D24/167
D730,526 S *	5/2015	Shin .....	D24/165
D755,392 S *	5/2016	Hwang .....	D24/165

(\*\*) Term: **15 Years**

(21) Appl. No.: **29/581,724**

(22) Filed: **Oct. 21, 2016**

(30) **Foreign Application Priority Data**

Sep. 29, 2016 (IL) ..... 59351

(51) **LOC (11) Cl.** ..... **24-01**

(52) **U.S. Cl.**  
USPC ..... **D24/186**

(58) **Field of Classification Search**

USPC ..... D24/165, 166, 167, 168, 186, 187  
 CPC .... A61B 8/02; A61B 8/04; A61B 8/06; A61B 8/42; A61B 8/44; A61B 8/4427; A61B 8/4455; A61B 8/4472; A61B 5/6803; A61B 5/681; A61B 5/6824; A61B 5/6825; A61B 5/024; A61B 5/02405; A61B 5/02438; A61N 1/04; A61N 1/0404; A61N 1/0476; A61N 1/048; A61N 1/0484; A61N 1/0488; A61N 1/0492; A61N 1/0456; A61N 1/36014; A61N 1/22; A61N 1/0536

See application file for complete search history.

*Primary Examiner* — Anhdao Doan  
*Assistant Examiner* — Mary Shannon Malley  
 (74) *Attorney, Agent, or Firm* — The Roy Gross Law Firm, LLC; Roy Gross

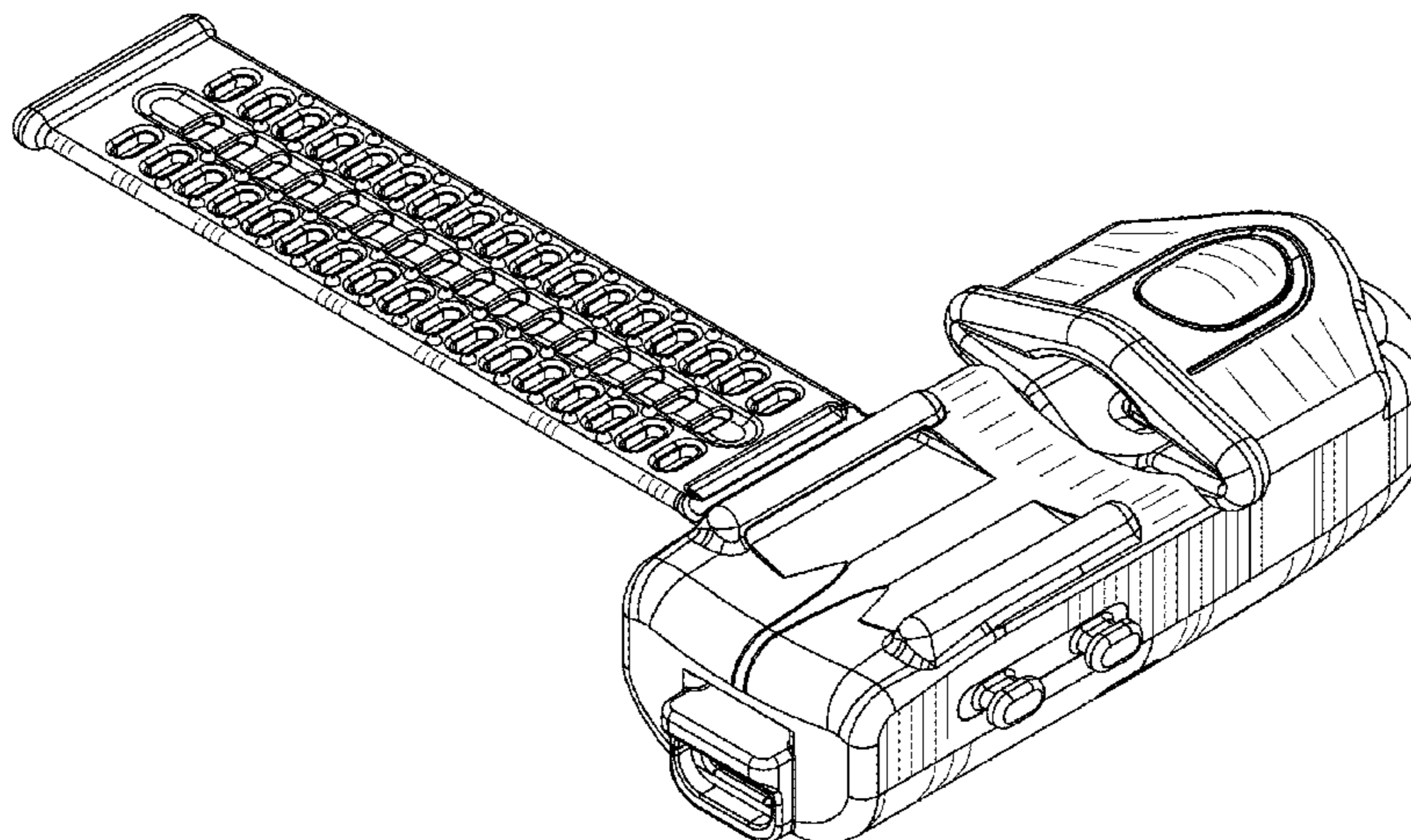
(57) **CLAIM**

The ornamental design for a finger probe, as shown and described.

**DESCRIPTION**

FIG. 1 is a front, perspective view of a finger probe in accordance with the new design;  
 FIG. 2 is a rear, perspective view of the finger probe;  
 FIG. 3 is a back view of the finger probe;  
 FIG. 4 is a right side view of the finger probe;  
 FIG. 5 is a front view of the finger probe;  
 FIG. 6 is a left side view of the finger probe;  
 FIG. 7 is a top view of the finger probe; and,  
 FIG. 8 is a bottom view of the finger probe.

**1 Claim, 8 Drawing Sheets**



(56)

**References Cited**

U.S. PATENT DOCUMENTS

D755,974 S *	5/2016	Chen .....	D24/165
D767,145 S *	9/2016	Liu .....	D24/169
D768,300 S	10/2016	Felix	
D782,045 S *	3/2017	Chou .....	D24/164
D787,686 S	5/2017	Jeffery et al.	
D790,069 S	6/2017	Wong et al.	
D796,681 S	9/2017	Seval et al.	
D797,728 S	9/2017	Sandock	

\* cited by examiner

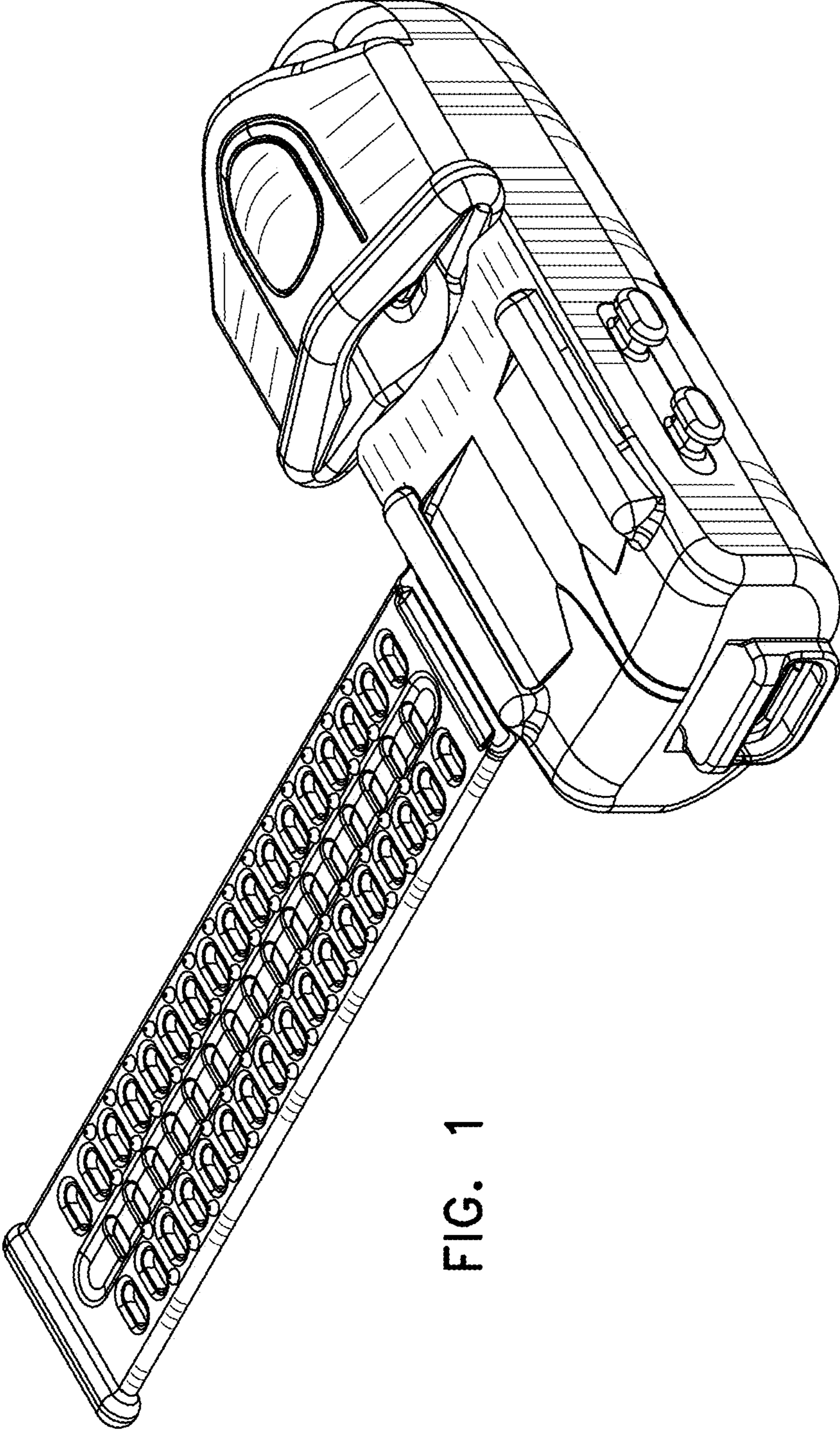


FIG. 1

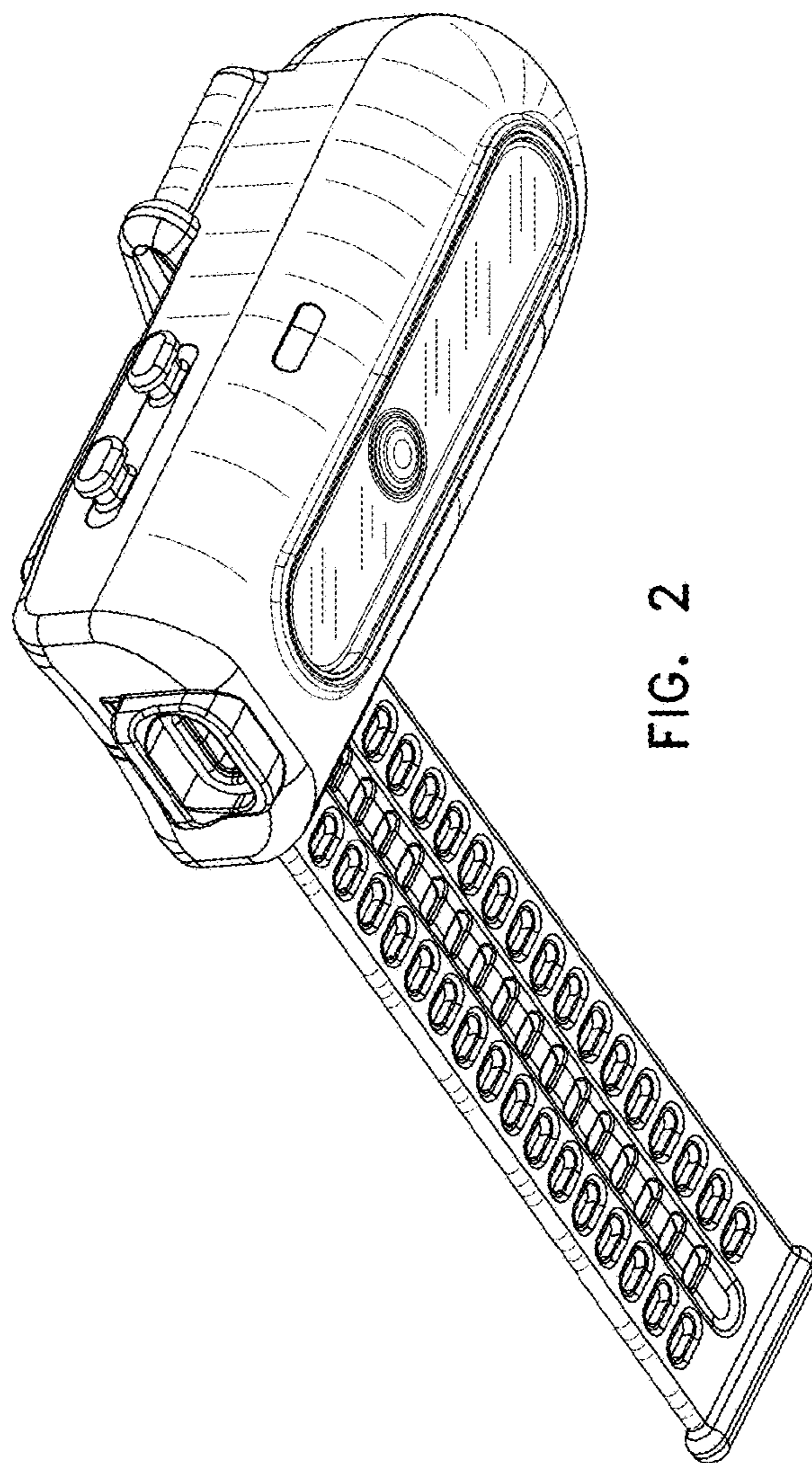


FIG. 2

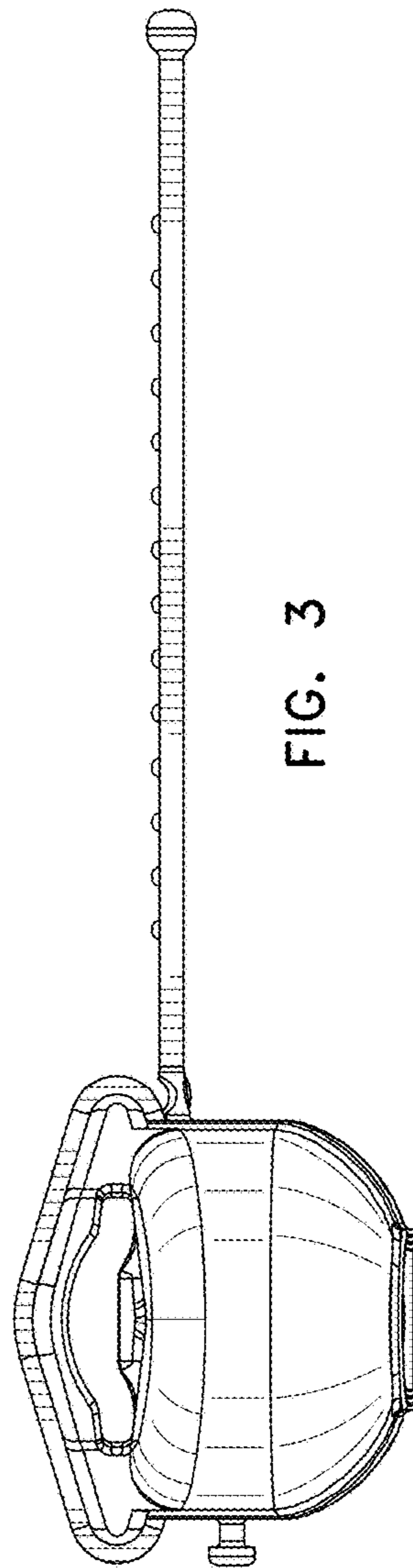


FIG. 3

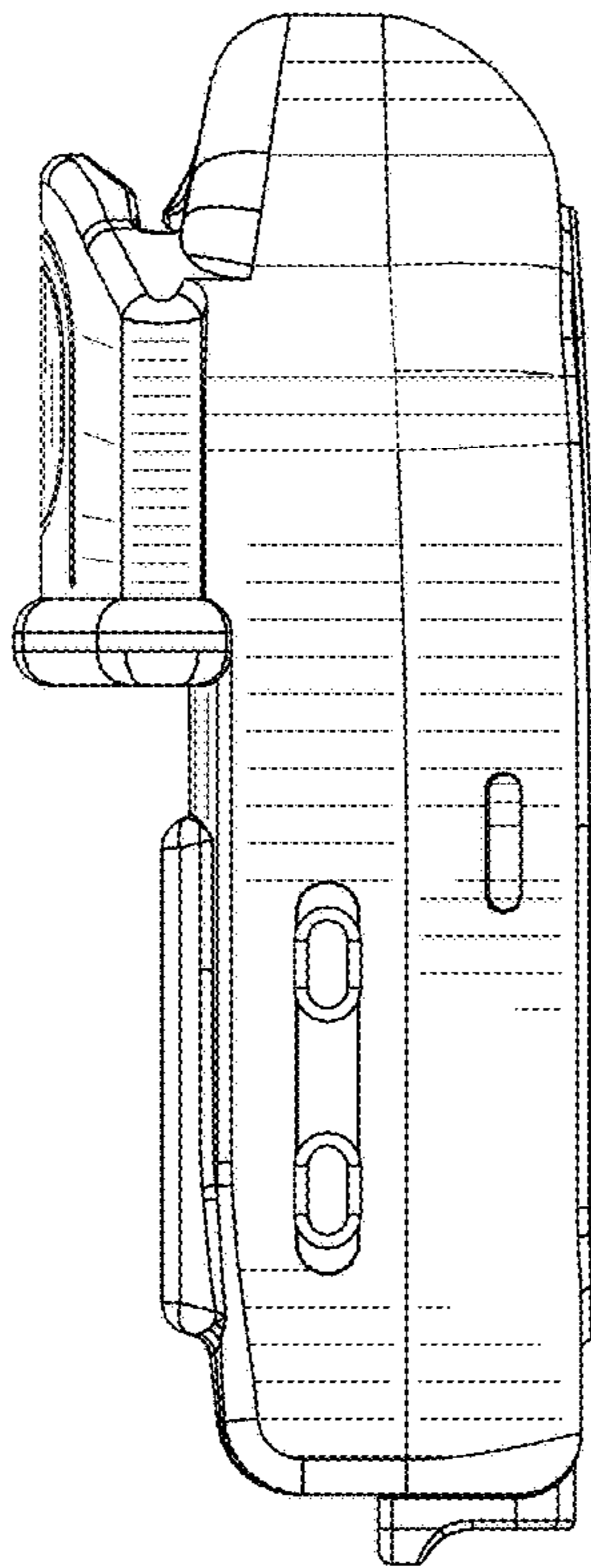


FIG. 4

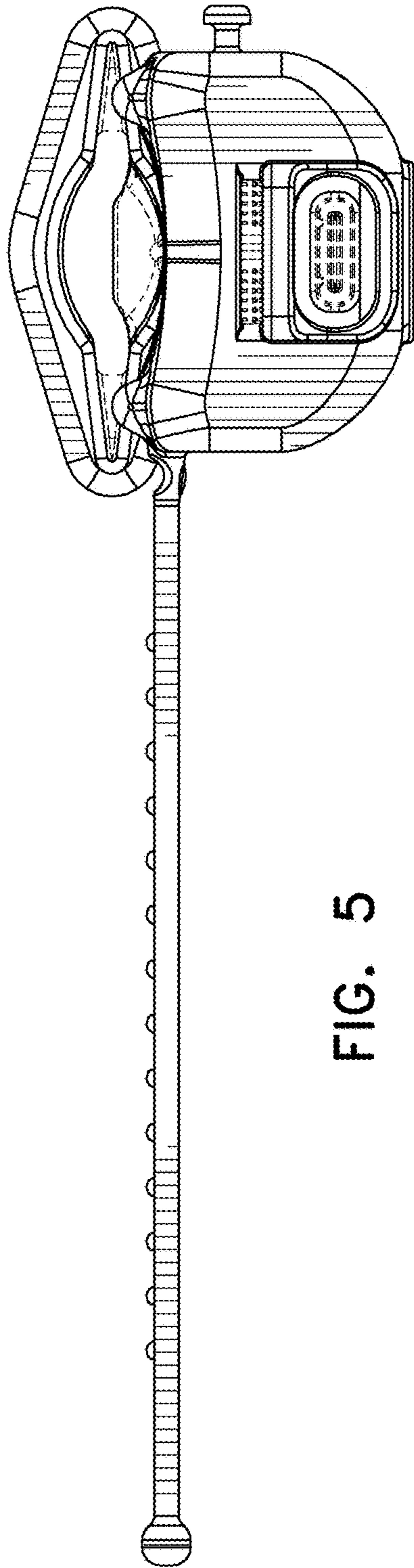


FIG. 5

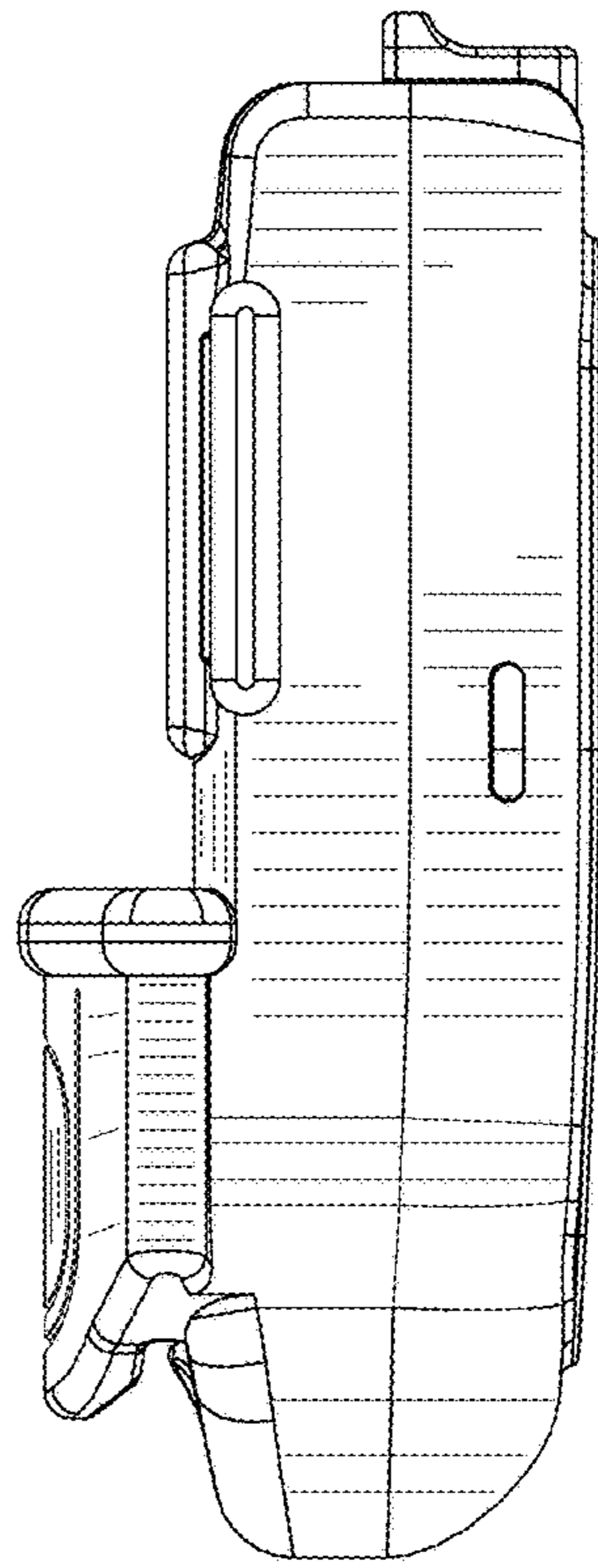


FIG. 6



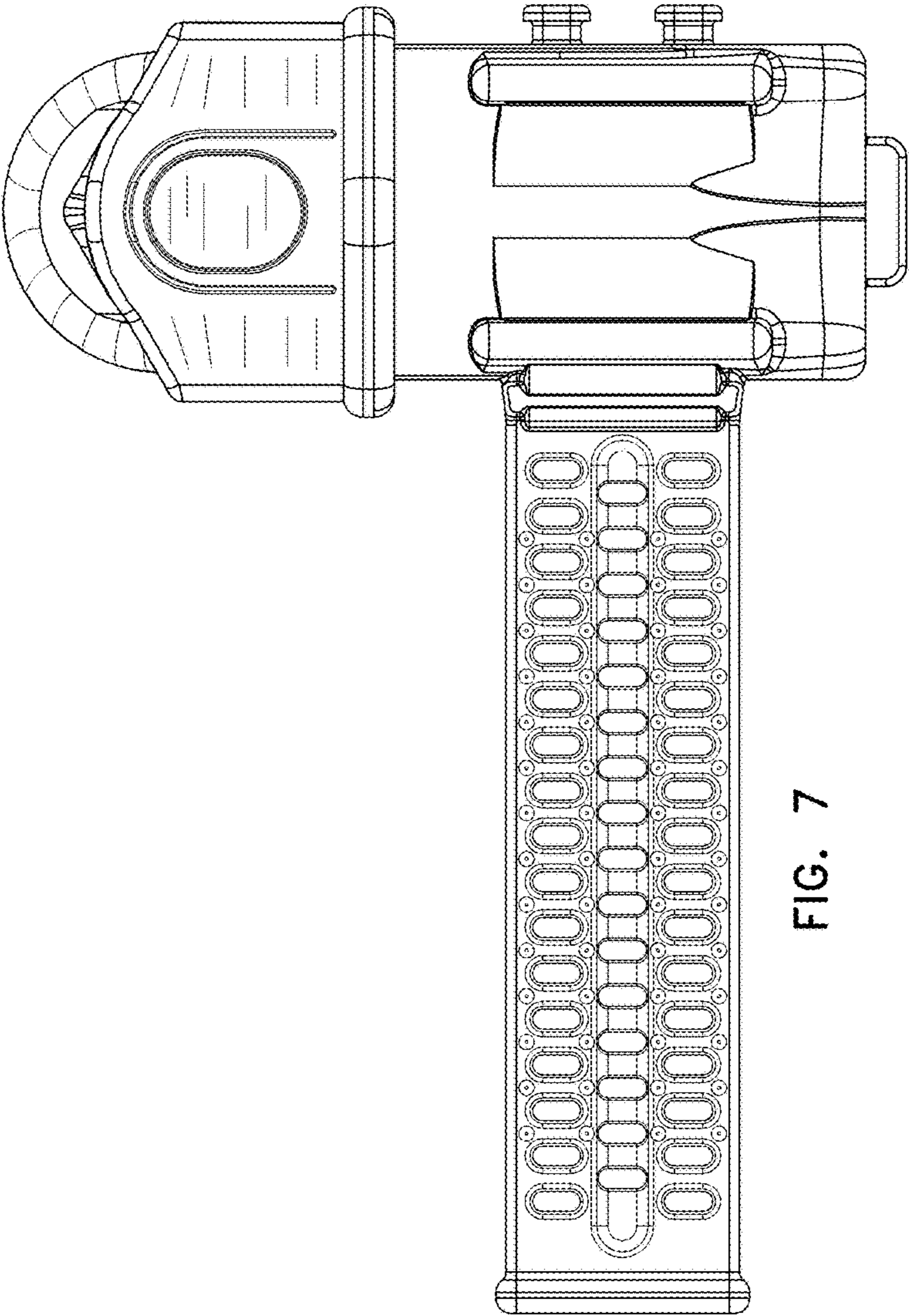


FIG. 7

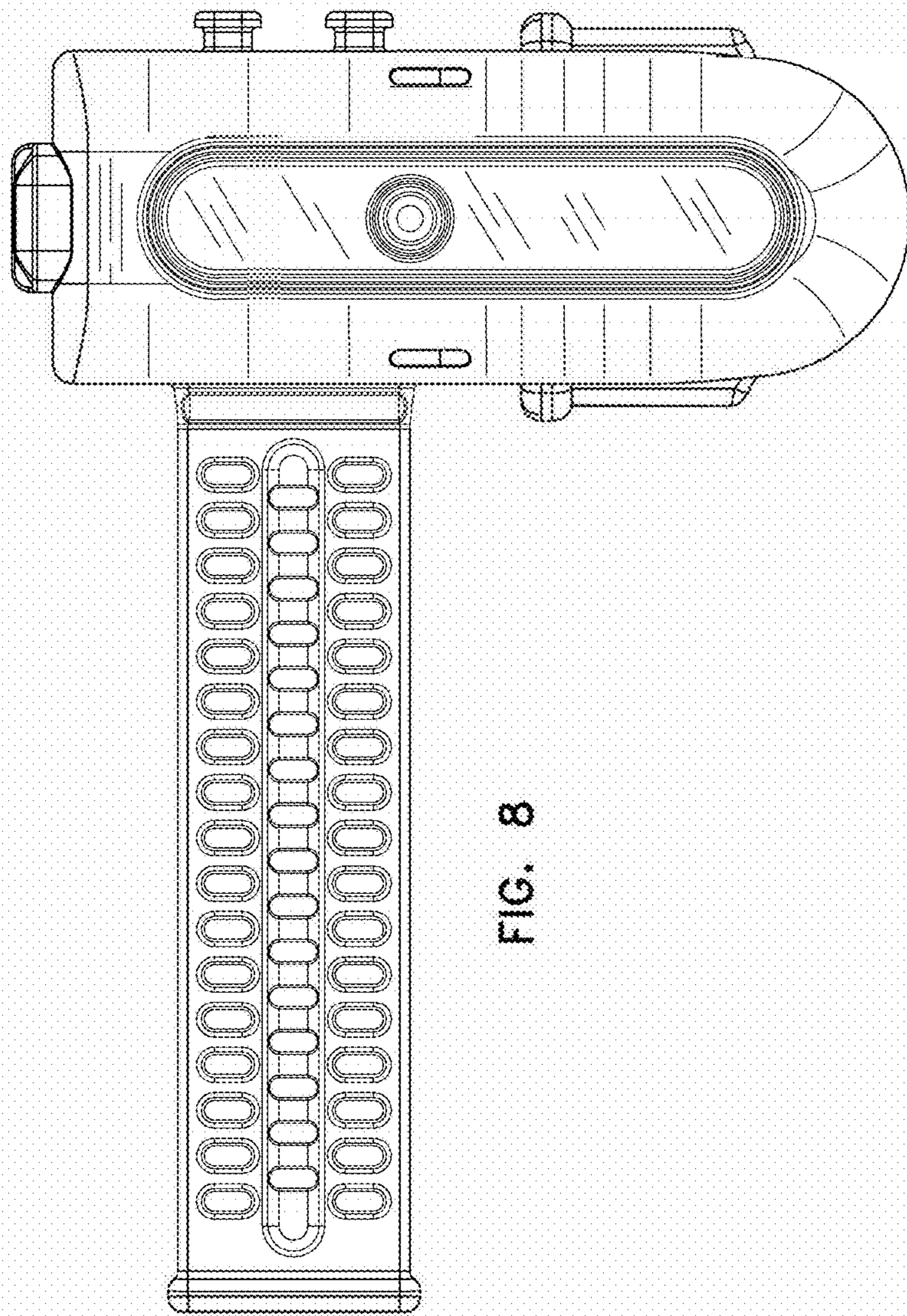


FIG. 8