



US00D848621S

(12) **United States Design Patent** (10) **Patent No.:** **US D848,621 S**
McGee (45) **Date of Patent:** **** May 14, 2019**

(54) **BED ADAPTER**
(71) Applicant: **GBUK Limited**, Selby, North Yorkshire (GB)
(72) Inventor: **Dane McGee**, Leeds (GB)
(73) Assignee: **GBUK LIMITED**, Selby, North Yorkshire (GB)
(**) Term: **15 Years**
(21) Appl. No.: **29/604,943**
(22) Filed: **May 22, 2017**
(51) **LOC (11) Cl.** **24-02**
(52) **U.S. Cl.**
USPC **D24/183**; D8/354
(58) **Field of Classification Search**
USPC D6/555, 606-607, 406.1, 406.3; 5/261, 5/504.1, 655-658, 663, 425-428; D8/381-382, 403, 354; D12/128; D24/183
CPC A47C 23/00; A47C 23/007; A47C 27/066; A47C 23/06; A47C 23/061; A47C 23/062; A47C 19/021; A47C 19/022; A47C 19/024; A47C 19/02; A47C 21/00; A47C 31/00; A47C 4/52; A61G 7/10; A61G 7/1025; A61G 7/103; A61G 7/00
See application file for complete search history.

(56) **References Cited**

U.S. PATENT DOCUMENTS

D127,587 S * 6/1941 MacArthur D8/381
D182,647 S * 4/1958 Cox 297/452.13
2,959,792 A * 11/1960 Haugard A61G 7/1036
108/64
3,323,151 A * 6/1967 Lerman A47C 4/52
297/183.5
D223,082 S * 3/1972 Fromm D8/354

4,214,327 A * 7/1980 Smith A47C 21/024
5/426
D285,047 S * 8/1986 Dean D8/349
D294,205 S * 2/1988 Schmidgall D3/274
D327,214 S * 6/1992 Stuart D8/373
5,127,422 A * 7/1992 Colon A47D 13/08
128/870
D421,413 S * 3/2000 Calkin D12/128
D468,792 S * 1/2003 Jacoway D21/801
7,216,380 B2 * 5/2007 Vaskuthy A47C 23/00
248/345.1
D563,114 S * 3/2008 Pegg D6/406.1
D580,260 S * 11/2008 Collins D8/382
D632,901 S * 2/2011 Christoffel D6/683
D637,858 S * 5/2011 Overstreet D6/607
D644,503 S * 9/2011 Crane D8/354
8,028,362 B1 * 10/2011 Barreau A47C 21/00
248/345.1

(Continued)

OTHER PUBLICATIONS

Manual Handling Products, GBUK, published at gbukgroup.com, date and author not listed © 2016 GBUK Group, Ltd., online, site visited Apr. 12, 2018. Available from Internet, URL: <http://www.gbukgroup.com/export/products/manual-handling/> (Year: 0000).*

Primary Examiner — Shannon W Morgan
Assistant Examiner — Altaira J Swangin
(74) *Attorney, Agent, or Firm* — Stoel Rives LLP

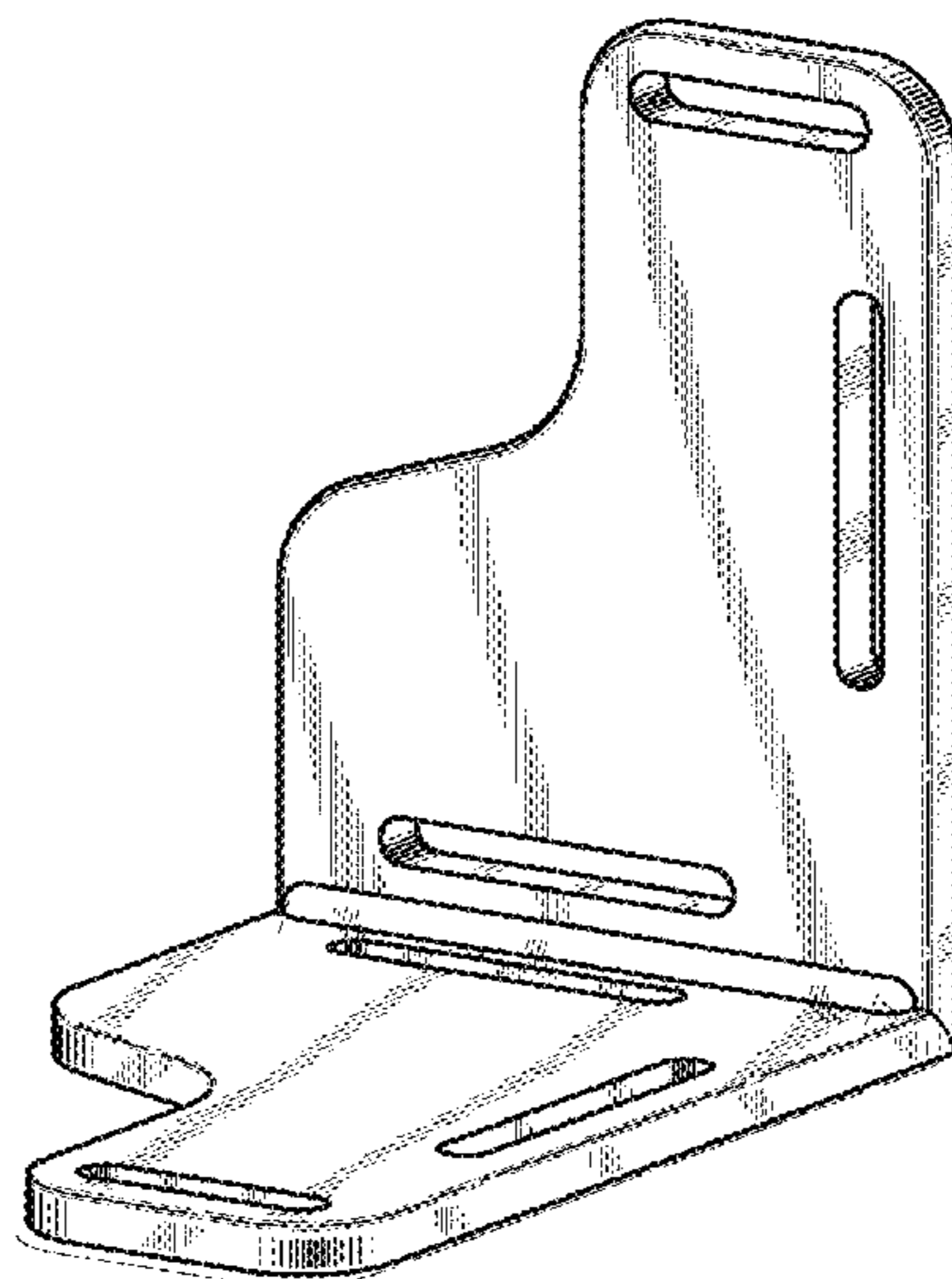
(57) **CLAIM**

I claim the ornamental design for a bed adapter, as shown and described.

DESCRIPTION

FIG. 1 is a front, bottom perspective view of a bed adapter. FIG. 2 is a top plan view of the bed adapter. FIG. 3 is a bottom plan view of the bed adapter. FIG. 4 is a front elevation view of the bed adapter; and, FIG. 5 is a rear elevation view of the bed adapter.

1 Claim, 1 Drawing Sheet



(56)

References Cited

U.S. PATENT DOCUMENTS

8,104,753 B2 *	1/2012	Crampton	B25B 11/00	2006/0162068 A1 *	7/2006	Risk, Jr.	A61G 7/0536
			269/133				5/53.1
D660,132 S *	5/2012	Yoder	D8/354	2007/0277318 A1 *	12/2007	Rak	A61G 7/103
D667,289 S *	9/2012	Preda	D8/354				5/625
D667,718 S *	9/2012	Preda	D8/354	2008/0155746 A1 *	7/2008	Neumeyer	A61G 7/103
D704,045 S *	5/2014	Lavelle	D8/403				5/81.1 R
D706,427 S *	6/2014	Leng	D24/183	2011/0191957 A1 *	8/2011	Hornbach	A61G 7/0507
9,060,599 B1 *	6/2015	Jones	A47B 23/06				5/425
D739,030 S *	9/2015	Phlegar	D24/183	2014/0259390 A1 *	9/2014	Couch	A61G 7/1007
D754,353 S *	4/2016	Pileski	D24/183				5/83.1
9,414,983 B1 *	8/2016	Loli	A61G 13/1235	2015/0313377 A1 *	11/2015	Davis	A01K 13/00
D770,201 S *	11/2016	Dieckhaus	D6/582				5/655
D773,211 S *	12/2016	Davis	D6/601	2016/0128318 A1 *	5/2016	Birch	A01M 31/02
D789,703 S *	6/2017	Qiao	A47C 7/68				297/4
			D6/406.3	2017/0079426 A1 *	3/2017	Davis	B65D 21/0212
9,707,137 B2 *	7/2017	Boak	A61G 1/00	2017/0208963 A1 *	7/2017	Eichelberger	A47C 29/003
				2018/0027982 A1 *	2/2018	Mazzeo	H01R 24/76
				2018/0313687 A1 *	11/2018	Taylor	G01G 19/445

* cited by examiner

