



US00D848620S

(12) **United States Design Patent**
Leard et al.

(10) **Patent No.: US D848,620 S**

(45) **Date of Patent: ** May 14, 2019**

(54) **MOUTHPIECE FOR A RESPIRATORY MONITOR**
(71) Applicant: **Spirometrix, Inc.**, Pleasanton, CA (US)
(72) Inventors: **Ryan Leard**, Oakland, CA (US); **Brian Awabdy**, Dublin, CA (US); **Greg Omweg**, Livermore, CA (US)
(73) Assignee: **Spirosure, Inc.**, Pleasanton, CA (US)

(**) Term: **15 Years**

(21) Appl. No.: **29/585,663**

(22) Filed: **Nov. 28, 2016**

(51) **LOC (11) Cl.** **24-02**

(52) **U.S. Cl.**
USPC **D24/164**

(58) **Field of Classification Search**
USPC D24/164, 110.4, 128, 110.5; D21/411;
D30/121; 128/200.24, 203.12, 200.14,
128/206.21, 202.28, 200.18; 600/538,
600/532; 482/13
CPC A61B 5/287; A61B 5/0875; A61B 5/097;
A61M 15/0086; A61M 16/06; A61M
15/00; A61M 11/06; A61M 16/0808;
A61J 1/067
See application file for complete search history.

(56) **References Cited**

U.S. PATENT DOCUMENTS

3,749,087 A * 7/1973 Klohr A61B 5/097
600/538
3,903,884 A * 9/1975 Huston A61M 11/06
128/200.18
D266,695 S * 10/1982 Trammll D21/411
4,425,923 A * 1/1984 Gordon A61B 5/0875
482/13
D281,011 S * 10/1985 Helfer D24/110
4,706,663 A * 11/1987 Makiej A61M 15/00
128/200.18
4,947,861 A 8/1990 Hamilton

4,991,591 A * 2/1991 Jones A61B 5/087
600/532
5,121,745 A * 6/1992 Israel A61M 16/06
128/202.28
5,137,026 A * 8/1992 Waterson A61B 5/087
600/538
5,165,391 A * 11/1992 Chiesi A61M 15/0086
128/200.14

(Continued)

FOREIGN PATENT DOCUMENTS

WO 8504016 A1 9/1985
WO 2013154431 A2 10/2013

(Continued)

OTHER PUBLICATIONS

PCT Notification of Transmittal of the International Search Report and Written Opinion of the International Searching Authority, or the Declaration for International application No. PCT/US2017/063483, dated Mar. 15, 2018 (14 pages).

(Continued)

Primary Examiner — Rhea Shields

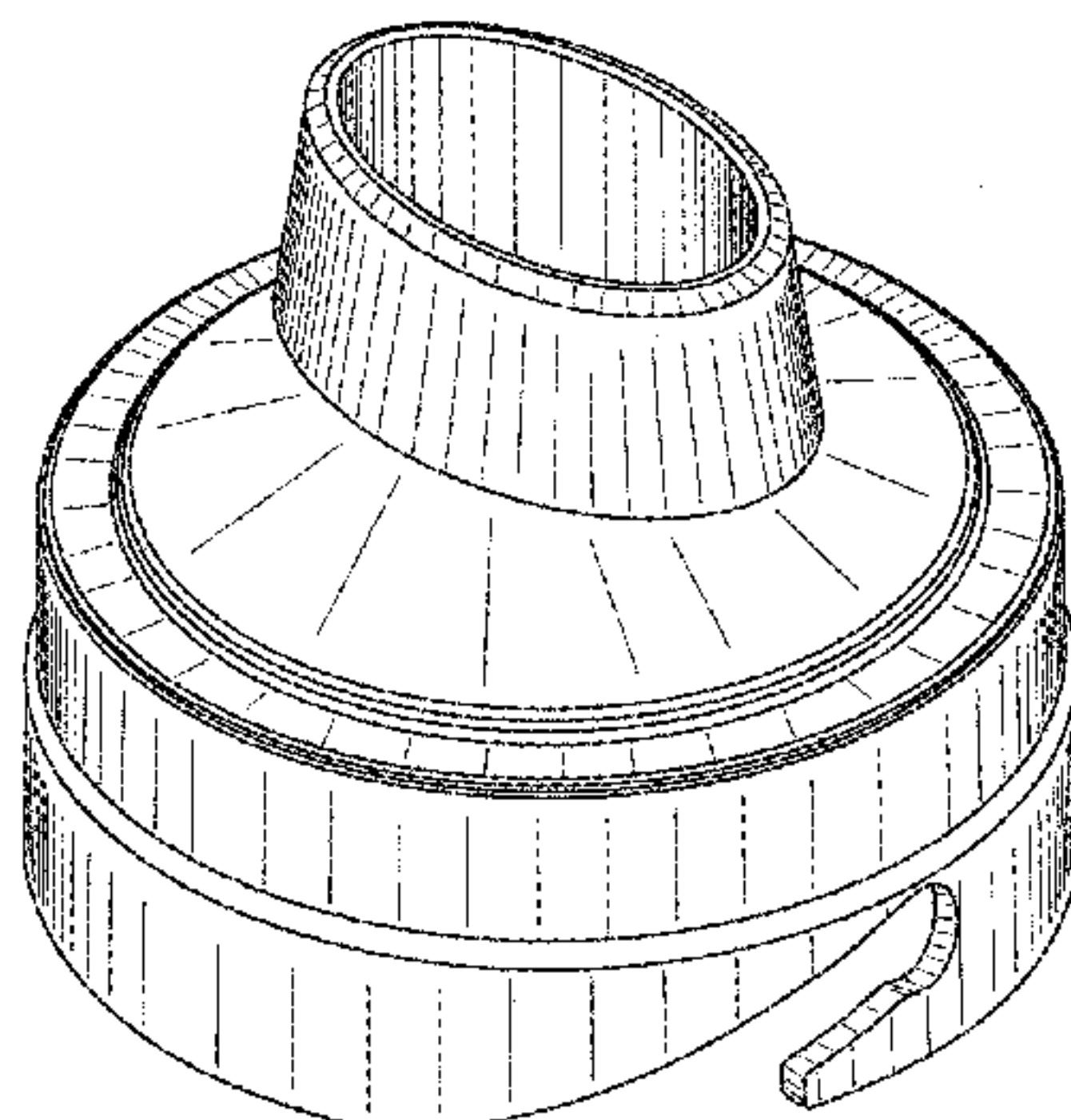
(57) **CLAIM**

The ornamental design for a mouthpiece for a respiratory monitor, as shown and described.

DESCRIPTION

FIG. 1 is a perspective view of a mouthpiece for a respiratory monitor showing the claimed design.
FIG. 2 is top view of the design of FIG. 1.
FIG. 3 is bottom view of the design of FIG. 1; and,
FIG. 4 is a right side view of the design of FIG. 1. The left side view is a mirror image of the right side.
The broken lines in FIG. 3 illustrate environment only and form no part of the claimed design.

1 Claim, 4 Drawing Sheets



(56)

References Cited

U.S. PATENT DOCUMENTS

D335,343 S * 5/1993 Jones D24/110
 6,578,571 B1 * 6/2003 Watt A61M 15/00
 128/200.14
 6,718,982 B2 * 4/2004 Smith A61B 5/087
 128/206.21
 D511,210 S * 11/2005 Cardona Burrull D24/110.5
 D542,913 S * 5/2007 Aspinall D24/110
 D556,908 S * 12/2007 Jones D24/164
 8,176,916 B2 * 5/2012 Pedarzini A61M 16/0808
 128/203.12
 8,486,043 B2 * 7/2013 Iyer A61J 1/067
 128/200.24
 D692,555 S * 10/2013 Maksym D24/110
 D693,004 S * 11/2013 Larsen D24/164
 D717,424 S * 11/2014 Steelman D24/110
 D728,796 S * 5/2015 Ebel D24/164
 D735,316 S * 7/2015 Steelman D24/110
 D735,421 S * 7/2015 Plant D30/121
 D740,948 S * 10/2015 Hamilton D24/164
 D757,246 S * 5/2016 Steelman D24/110
 D759,806 S * 6/2016 Steelman D24/110
 D765,831 S * 9/2016 Li D24/110
 D771,237 S * 11/2016 Smutney D24/110

D800,895 S * 10/2017 Prentice D24/110.4
 D814,629 S * 4/2018 Chuang D24/110
 D818,580 S * 5/2018 Khabiri D24/128
 D824,022 S * 7/2018 Prentice D24/110.4
 2015/0250408 A1 9/2015 Ssenyange et al.
 2016/0331272 A1 11/2016 Ahmed et al.
 2017/0065208 A1 3/2017 Furusaki et al.
 2018/0146886 A1 5/2018 Leard et al.

FOREIGN PATENT DOCUMENTS

WO 2013154431 A3 10/2013
 WO 2015134895 A1 9/2015
 WO 2015179751 A1 11/2015
 WO 2018098483 A1 5/2018

OTHER PUBLICATIONS

EUIPO Certificate of Registration for Registered Community Design,
 Registration No. 004012862-0001 (Registered May 22, 2017) (6
 Pages).

EUIPO Certificate of Registration for Registered Community Design,
 Registration No. 004013290-0001 (Registered May 22, 2017) (6
 Pages).

* cited by examiner

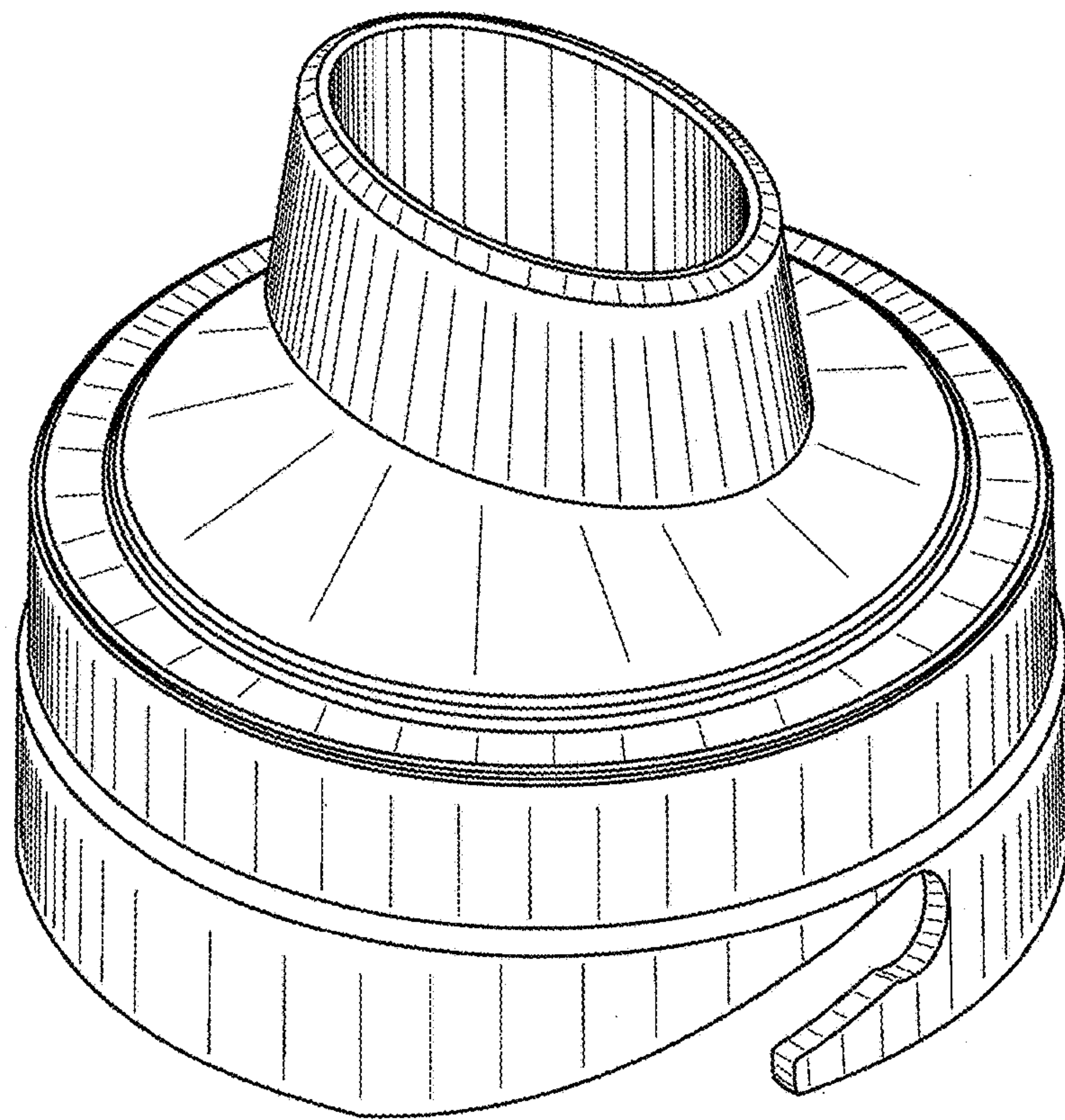


FIG. 1

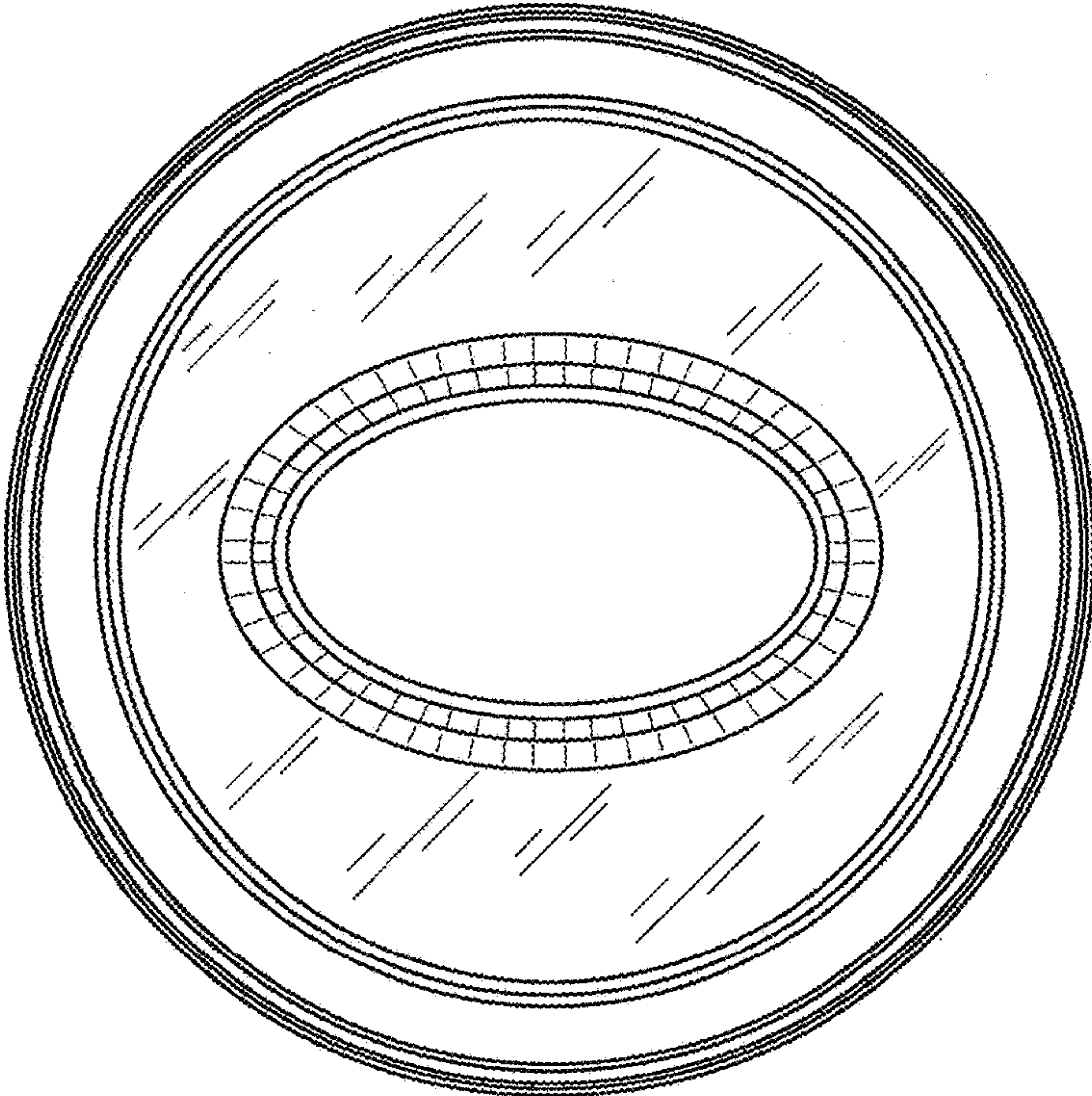


FIG. 2

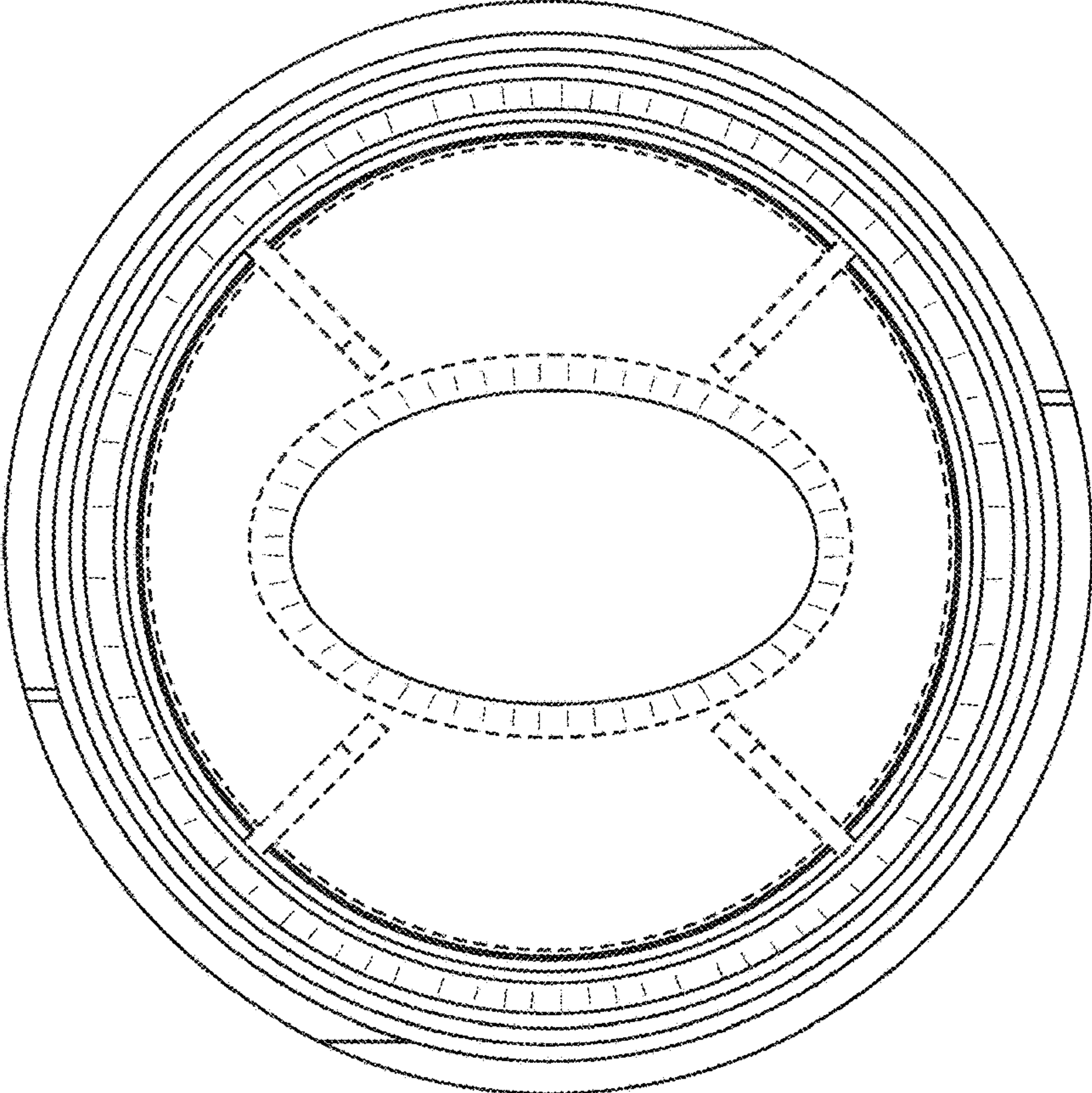


FIG. 3

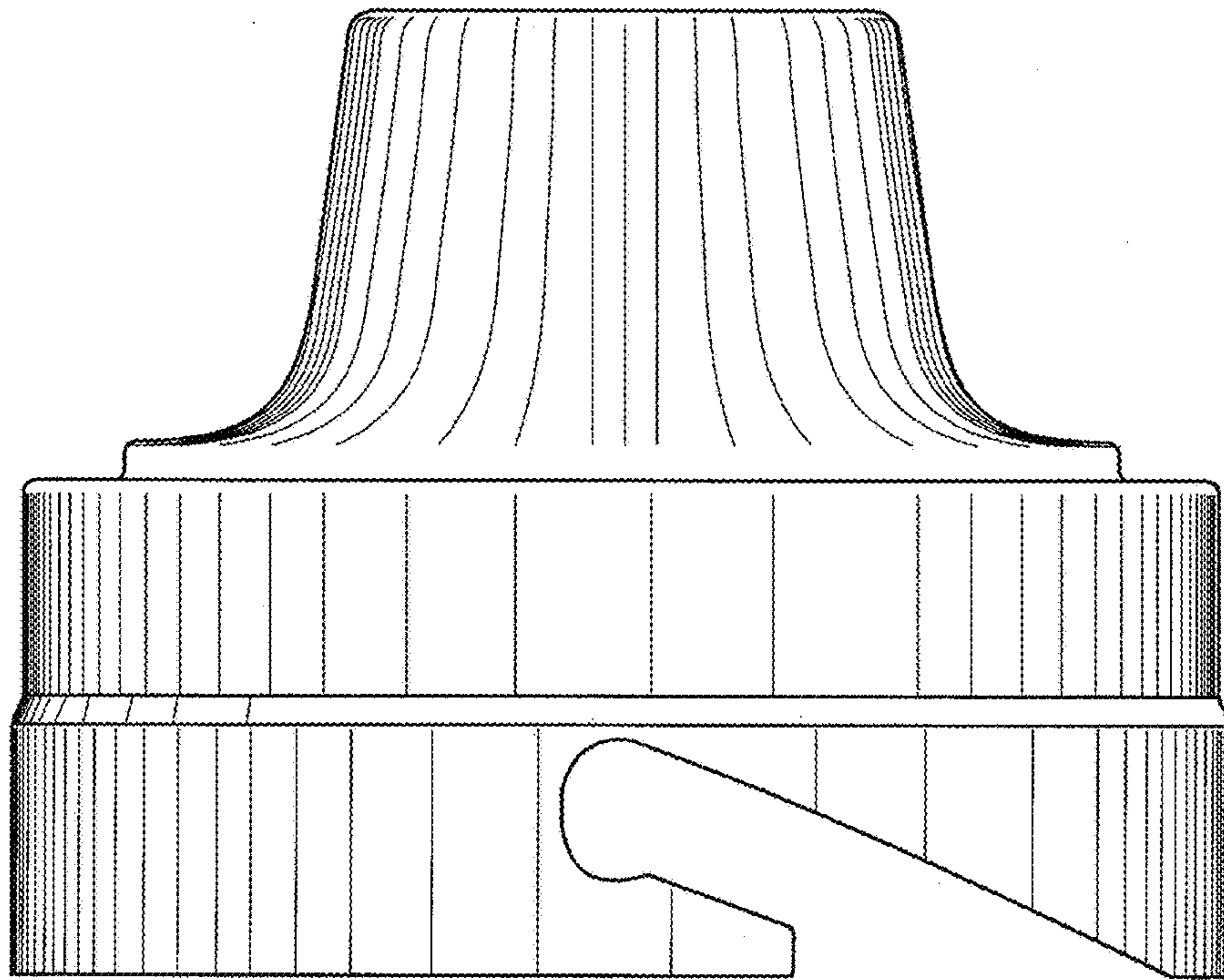


FIG. 4