



US00D848618S

(12) **United States Design Patent** (10) **Patent No.:** **US D848,618 S**
Großer et al. (45) **Date of Patent:** **** May 14, 2019**

(54) **SAFETY DEVICE FOR A SYRINGE**

(71) Applicant: **Gerresheimer Regensburg GmbH**,
Regensburg (DE)

(72) Inventors: **Jörg Großer**, Lappersdorf (DE); **Udo Leuschner**, Regensburg (DE); **Vojan Vaclav**, Plzen (CZ)

(73) Assignee: **Gerresheimer Regensburg GmbH**,
Regensburg (DE)

(**) Term: **15 Years**

(21) Appl. No.: **29/589,457**

(22) Filed: **Dec. 30, 2016**

(30) **Foreign Application Priority Data**

Jul. 8, 2016 (EM) 003300078-0001

(51) **LOC (11) Cl.** **24-02**

(52) **U.S. Cl.**
USPC **D24/130**

(58) **Field of Classification Search**
USPC D24/112–114, 108, 133, 130, 127, 186;
606/181, 185; 604/264, 272, 187, 181,
604/184, 227
CPC A61M 5/178; A61M 3/00; A61M 5/20;
A61M 5/31; A61M 5/3146; A61M
5/3129; A61M 5/3148; A61M 5/315
See application file for complete search history.

(56) **References Cited**

U.S. PATENT DOCUMENTS

D594,117 S *	6/2009	Patzer	D24/129
D642,261 S *	7/2011	York	D24/130
D655,001 S *	2/2012	Becker	D24/130
D751,699 S *	3/2016	Mills	D24/127
D758,568 S *	6/2016	Wohlfahrt	D24/113
D760,385 S *	6/2016	McKee	D24/128

D760,893 S *	7/2016	Honda	D24/130
D789,528 S *	6/2017	Wohlfahrt	D24/130
D797,281 S *	9/2017	Ohashi	D24/130
D802,748 S *	11/2017	Mills	D24/112
D808,518 S *	1/2018	Bureau	D24/112
9,867,940 B2 *	1/2018	Holmqvist	A61M 5/20
D809,656 S *	2/2018	Lau	D24/129

* cited by examiner

Primary Examiner — David G Muller

(74) *Attorney, Agent, or Firm* — Lowe Graham Jones
PLLC

(57) **CLAIM**

We claim the ornamental design for a safety device for a syringe, as shown and described.

DESCRIPTION

FIG. 1 is a perspective view at an angle from the rear showing a safety device for a syringe comprising a safety sleeve, a mounting member and a protective cap mounted on the safety sleeve.

FIG. 2 is a perspective view at an angle from the rear, rotated by 90° around its longitudinal axis showing the safety device for a syringe comprising a safety sleeve, a mounting member and a protective cap mounted on the safety sleeve.

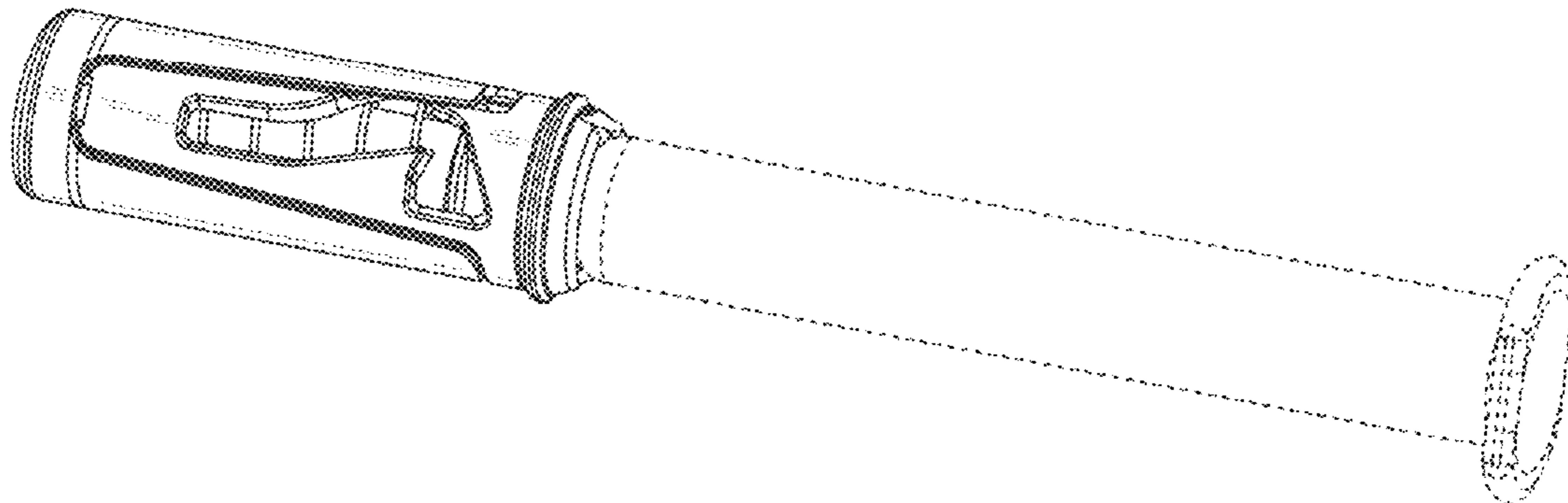
FIG. 3 is a side view showing the safety device for a syringe comprising a safety sleeve, a mounting member and a protective cap mounted on the safety sleeve.

FIG. 4 is a side view rotated by 90° around its longitudinal axis showing the safety device for a syringe comprising a safety sleeve, a mounting member and a protective cap mounted on the safety sleeve; and,

FIG. 5 is a front view showing the safety device for a syringe comprising a safety sleeve, a mounting member and a protective cap mounted on the safety sleeve.

The broken line showing of parts of the drawings is included for the purpose of illustrating use and environment and forms no part of the claimed design.

1 Claim, 3 Drawing Sheets



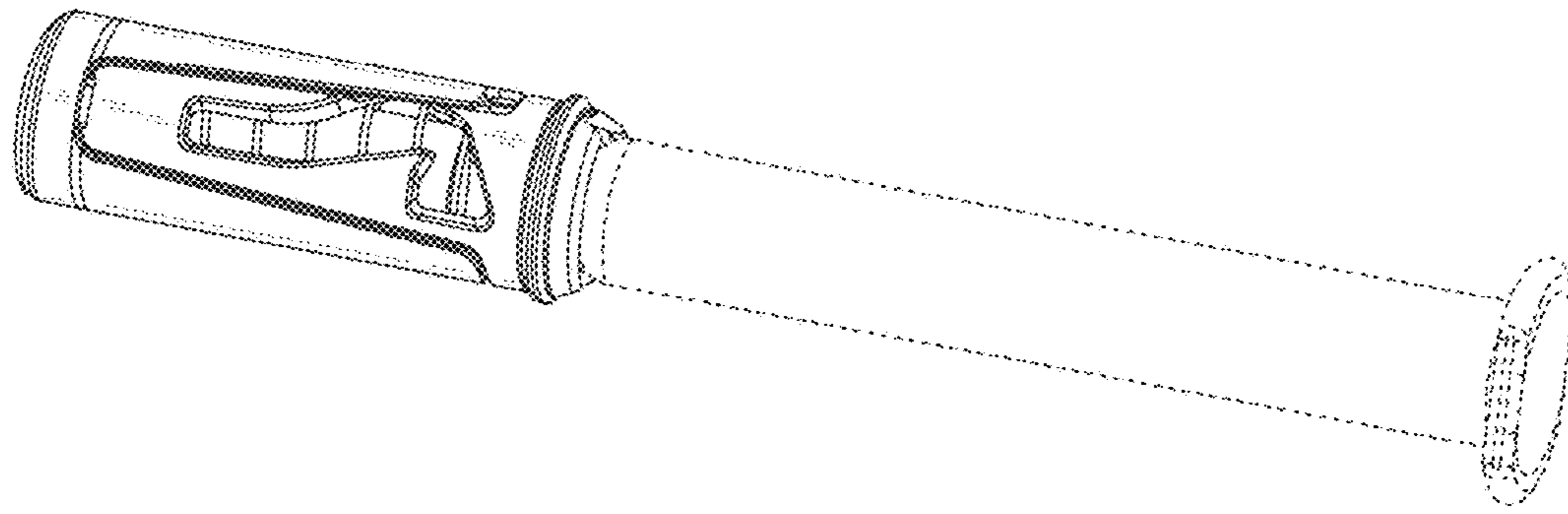


FIG. 1

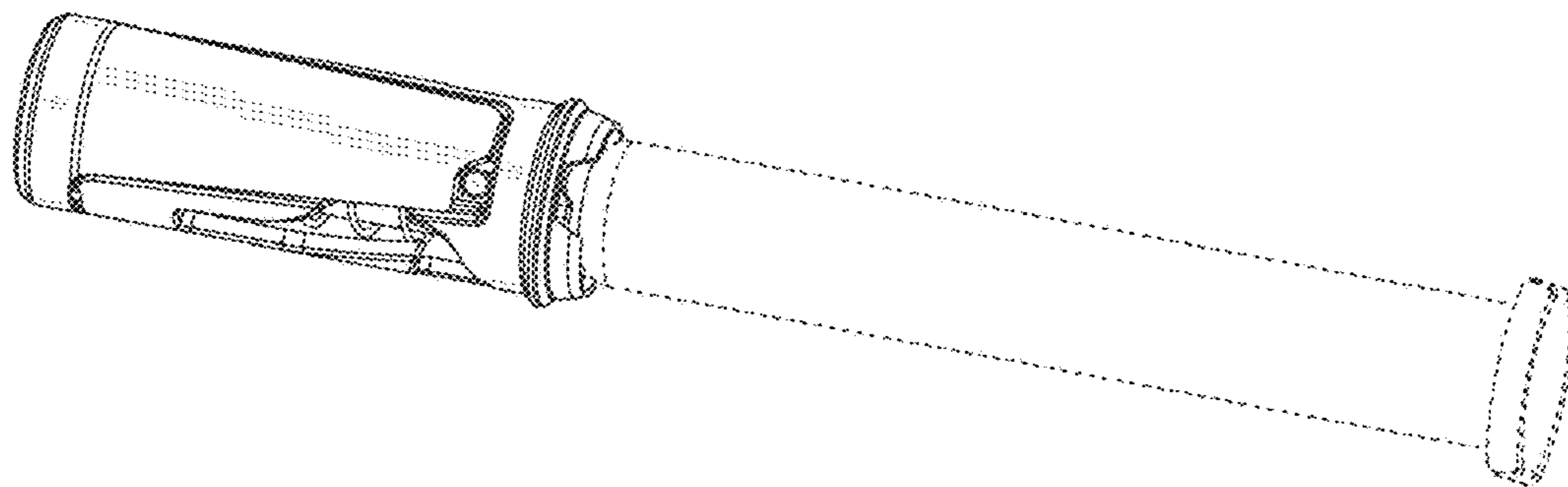


FIG. 2

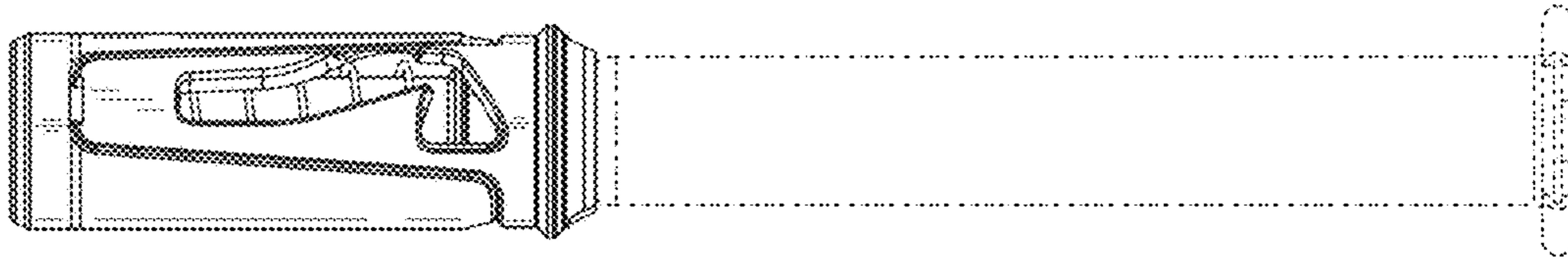


FIG. 3

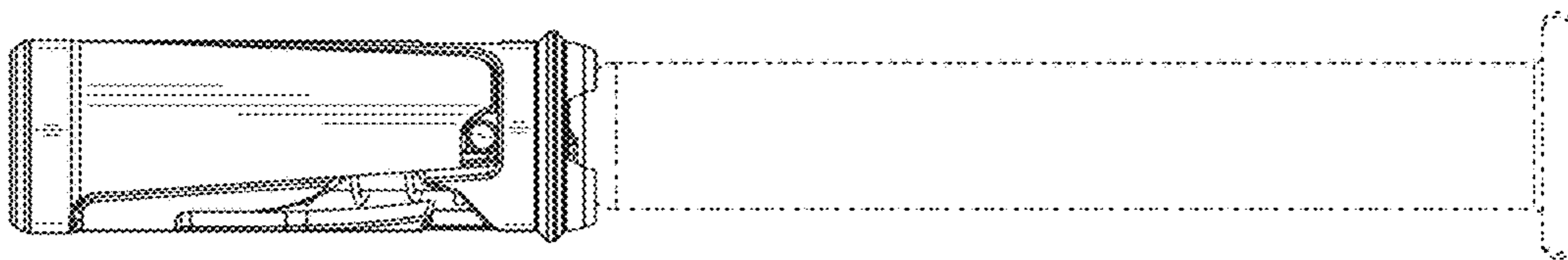


FIG. 4

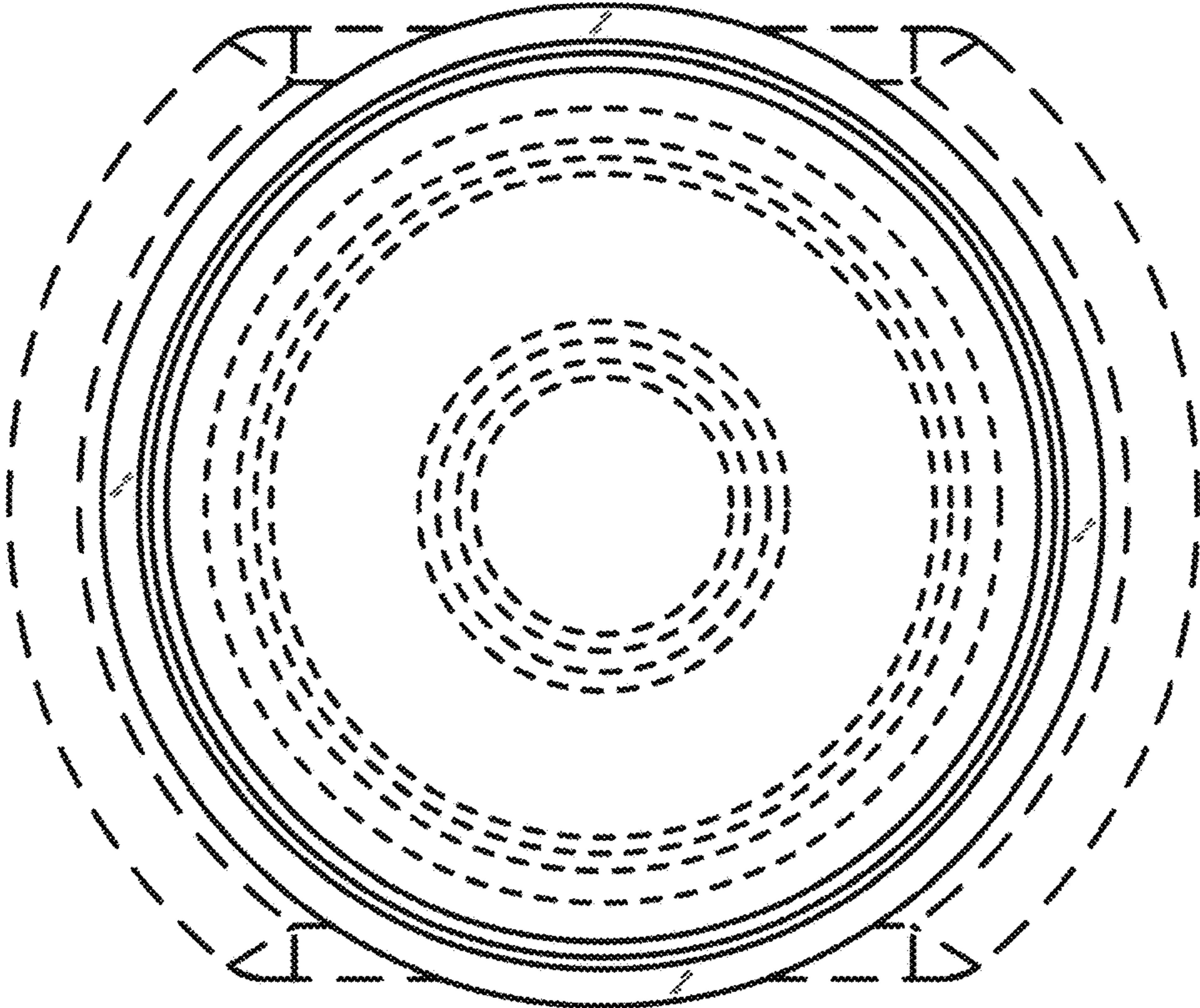


FIG. 5