



US00D848616S

(12) **United States Design Patent** (10) **Patent No.:** **US D848,616 S**  
**McNeill et al.** (45) **Date of Patent:** **\*\* May 14, 2019**

(54) **HOSPITAL BED ATTACHMENT DEVICE**

(56) **References Cited**

(71) Applicant: **Clinical Biotechnology Research Institute at RSFH**, Charleston, SC (US)

U.S. PATENT DOCUMENTS

(72) Inventors: **Lauren McNeill**, Mt. Pleasant, SC (US); **Christopher Lienhop**, Wilmington, NC (US); **Andrea H. Marshall**, Mt. Pleasant, SC (US); **Krista Herndon**, Summerville, SC (US)

3,231,901 A 2/1966 Kennedy  
3,299,442 A \* 1/1967 White ..... A61G 7/0503  
128/DIG. 24

(73) Assignee: **Clinical Biotechnology Research Institute at RSFH**, Charleston, SC (US)

4,001,919 A 1/1977 Moberg et al.  
4,027,842 A \* 6/1977 Mittleman ..... A61G 7/0503  
248/75  
4,707,906 A \* 11/1987 Posey ..... A61G 7/0503  
128/DIG. 26

4,823,444 A 4/1989 Larsen  
4,832,294 A 5/1989 Eidem  
4,910,831 A 3/1990 Bingold  
5,005,793 A 4/1991 Shillington  
5,135,188 A 8/1992 Anderson et al.  
D342,668 S 12/1993 Rose et al.

(Continued)

(\*\*) Term: **15 Years**

OTHER PUBLICATIONS

(21) Appl. No.: **29/637,414**

Whiz Tie. 5 pages. Accessed online Feb. 15, 2018 at <https://www.whiztie.com/> Mishler Labs, Hickory Corners, MI.

(22) Filed: **Feb. 18, 2018**

(Continued)

**Related U.S. Application Data**

*Primary Examiner* — David G Muller

(63) Continuation-in-part of application No. 15/898,630, filed on Feb. 18, 2018.

(74) *Attorney, Agent, or Firm* — Gregory Finch; Finch Paolino, LLC

(51) **LOC (11) Cl.** ..... **24-02**

(57) **CLAIM**

The design for a hospital bed attachment device, as shown and described.

(52) **U.S. Cl.**

**DESCRIPTION**

USPC ..... **D24/128**

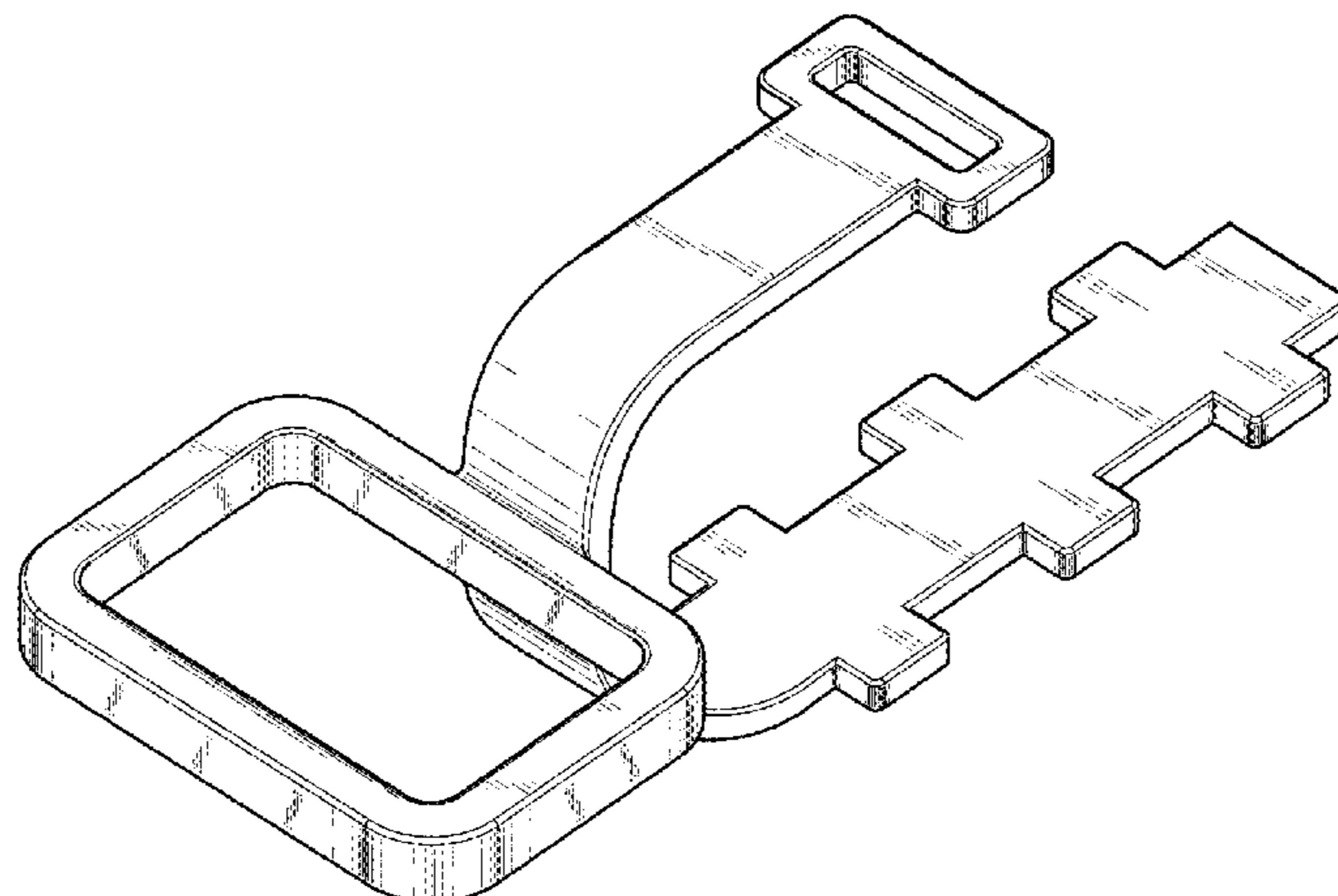
(58) **Field of Classification Search**

USPC ..... D24/127–131, 112–114, 133, 186; 606/181, 185; 604/264, 523–528, 272, 604/187, 158, 164.01–164.11, 181, 184, 604/227; 600/101, 139, 143; 128/200.24, 207.14, 207.15; 248/95  
CPC . A61G 7/0503; A61M 5/1415; A61M 5/1417; A61M 25/00; A61M 39/00; A61M 27/00

FIG. 1 is an isometric view of the claimed hospital bed attachment device, embodying the present design;  
FIG. 2 is a top down plan view thereof;  
FIG. 3 is a bottom up plan view thereof;  
FIG. 4 is a right side view thereof;  
FIG. 5 is a left side view thereof;  
FIG. 6 is a front side view thereof view thereof; and,  
FIG. 7 is a rear side view thereof view thereof.

See application file for complete search history.

**1 Claim, 7 Drawing Sheets**



(56)

References Cited

U.S. PATENT DOCUMENTS

5,402,971 A 4/1995 Bower  
 5,673,829 A 10/1997 Hartshorn  
 5,676,137 A \* 10/1997 Byrd ..... A61G 7/0503  
 128/207.14  
 5,709,665 A \* 1/1998 Vergano ..... A61G 7/0503  
 128/DIG. 26  
 D391,636 S 3/1998 Zwerk  
 5,806,819 A 9/1998 Martone  
 6,186,454 B1 2/2001 Olsen  
 6,364,257 B1 4/2002 Holder  
 6,409,131 B1 6/2002 Bentley et al.  
 6,449,808 B1 9/2002 Zappa et al.  
 6,640,393 B2 11/2003 Wendle  
 6,681,451 B1 1/2004 Adams et al.  
 6,828,509 B2 12/2004 Ito et al.  
 6,863,249 B1 \* 3/2005 Alvord ..... B60R 9/02  
 248/208  
 6,983,754 B1 \* 1/2006 Anderson ..... A47L 15/505  
 134/22.1  
 7,318,568 B2 \* 1/2008 Barouta ..... B65D 33/001  
 206/554  
 7,475,859 B2 1/2009 Selders  
 7,624,480 B2 \* 12/2009 Coronel ..... A61M 25/02  
 128/DIG. 15

7,731,138 B2 6/2010 Wiesner et al.  
 7,913,959 B2 3/2011 White et al.  
 7,959,122 B1 6/2011 Clack-Hopkins  
 8,245,857 B2 \* 8/2012 DiGasbarro ..... A61G 7/0503  
 211/85.13  
 8,302,264 B2 \* 11/2012 Shigematsu ..... A61G 7/0503  
 24/16 PB  
 D703,040 S 4/2014 White  
 8,882,060 B2 \* 11/2014 Vaughn ..... B65F 1/10  
 141/390  
 8,973,875 B2 \* 3/2015 Cuadrado ..... A63B 69/201  
 248/214  
 2002/0096608 A1 7/2002 Cedarberg, III  
 2003/0167605 A1 9/2003 Schultz  
 2008/0011907 A1 1/2008 Jacobsma  
 2010/0243834 A1 9/2010 Salser  
 2011/0084181 A1 4/2011 Bowers et al.

OTHER PUBLICATIONS

EZP Portable Urinal Holder. 1 page. Accessed online Feb. 15, 2018  
 at <http://www.urinalholder.com/ezp-urinal-holders.html>. PLG Inno-  
 vations, Inc. Millville, CA.

\* cited by examiner

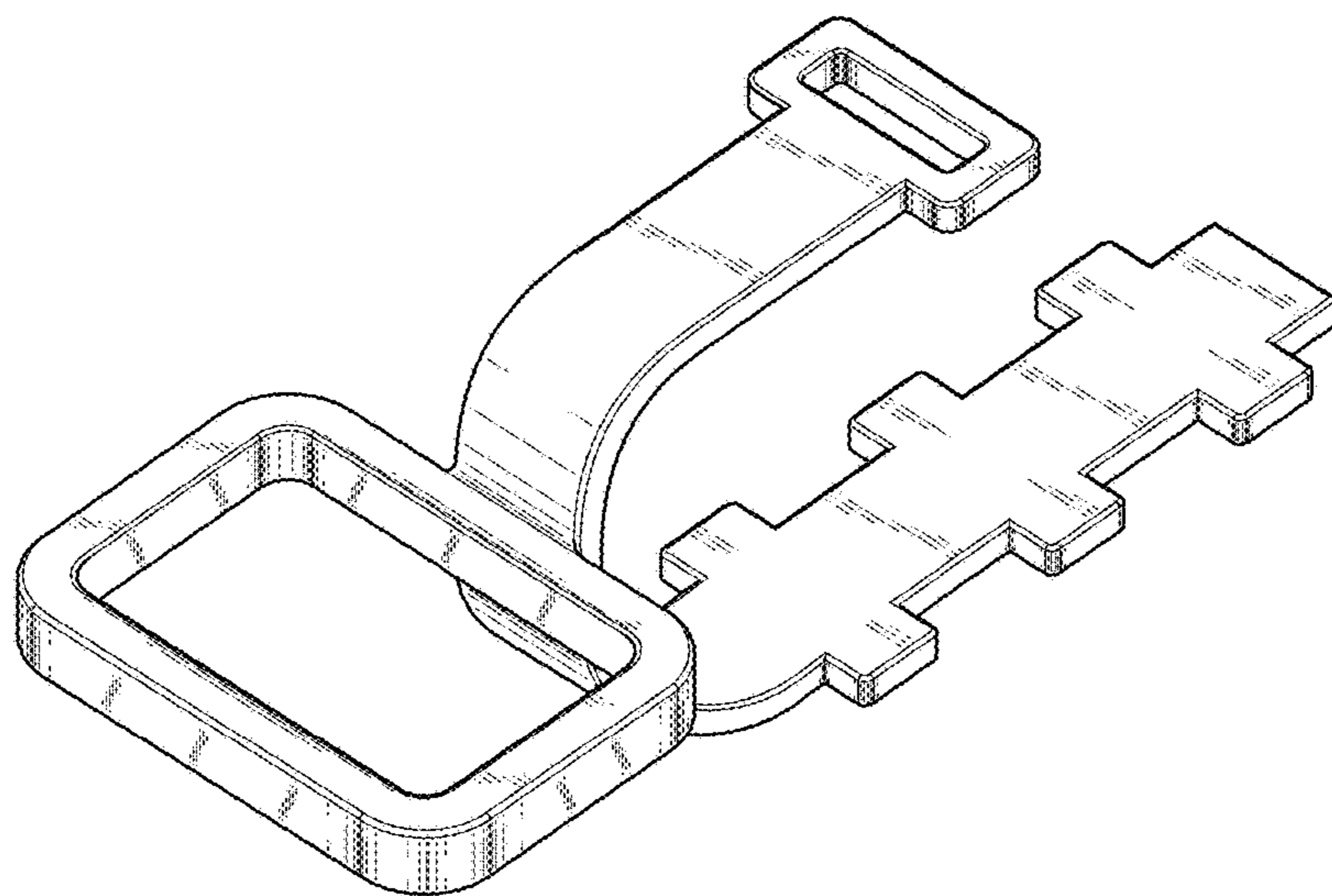


Fig. 1

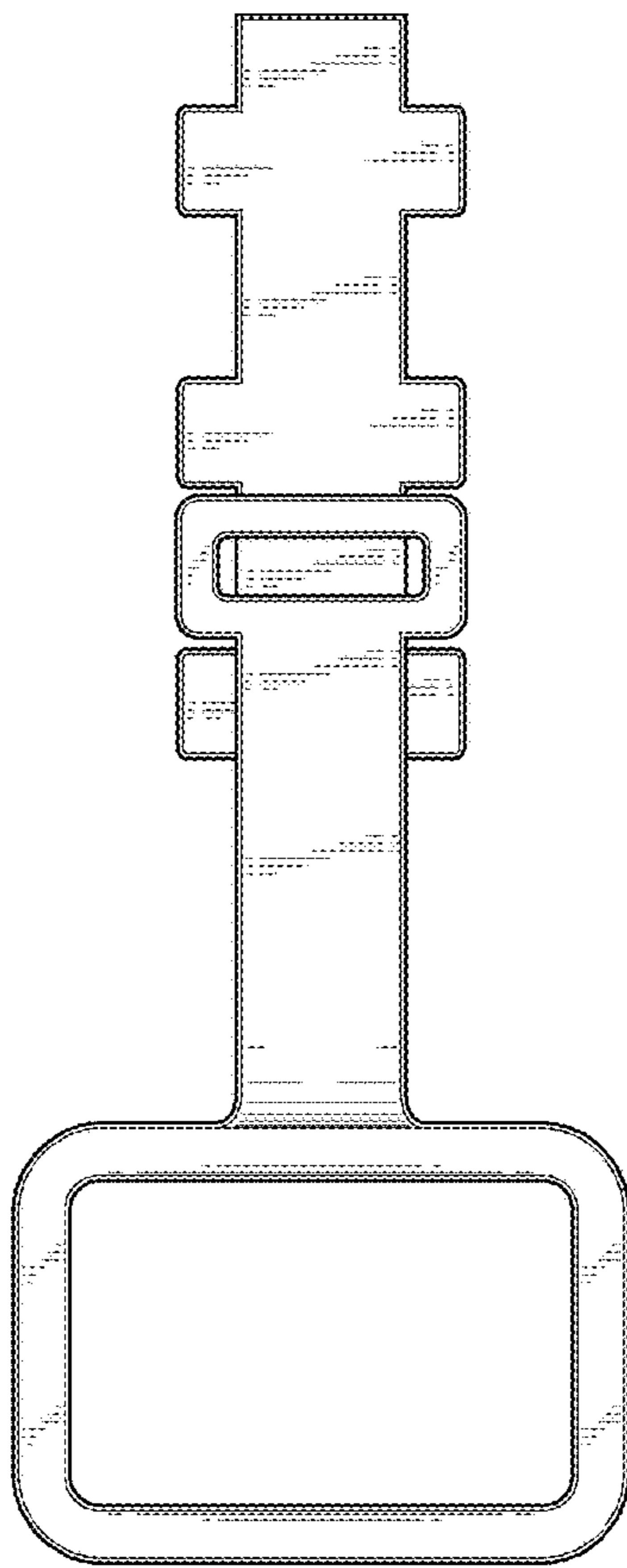


Fig. 2

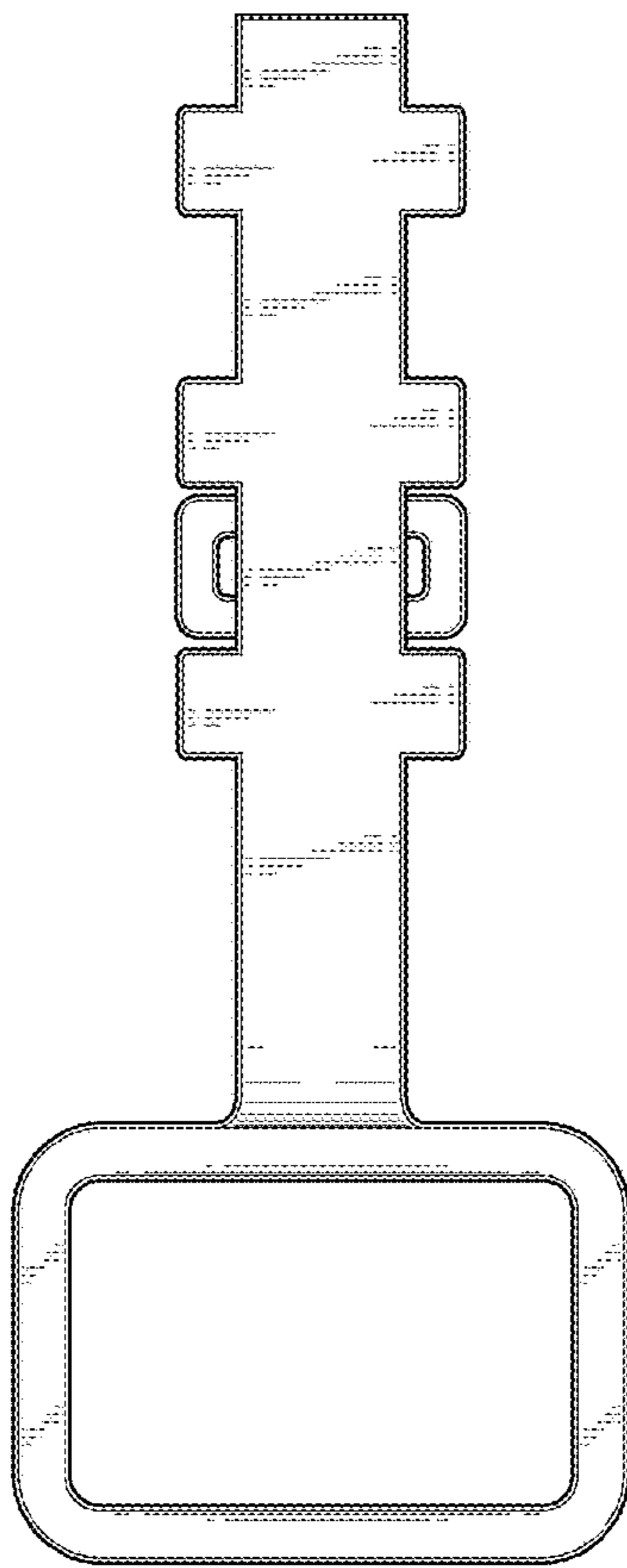


Fig. 3

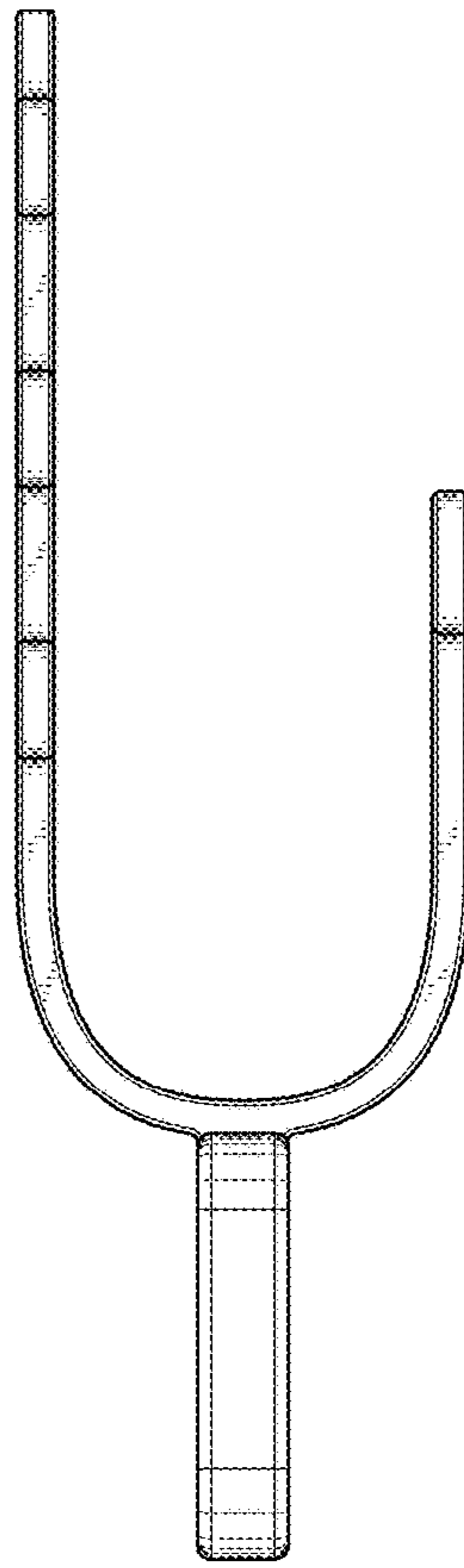


Fig. 4

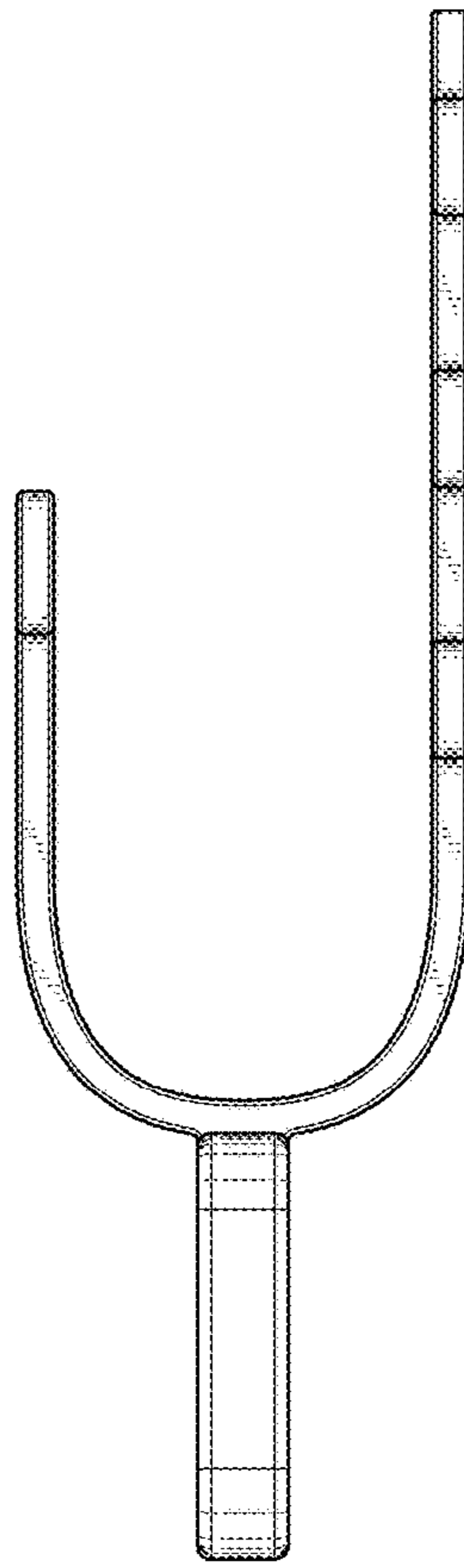


Fig. 5

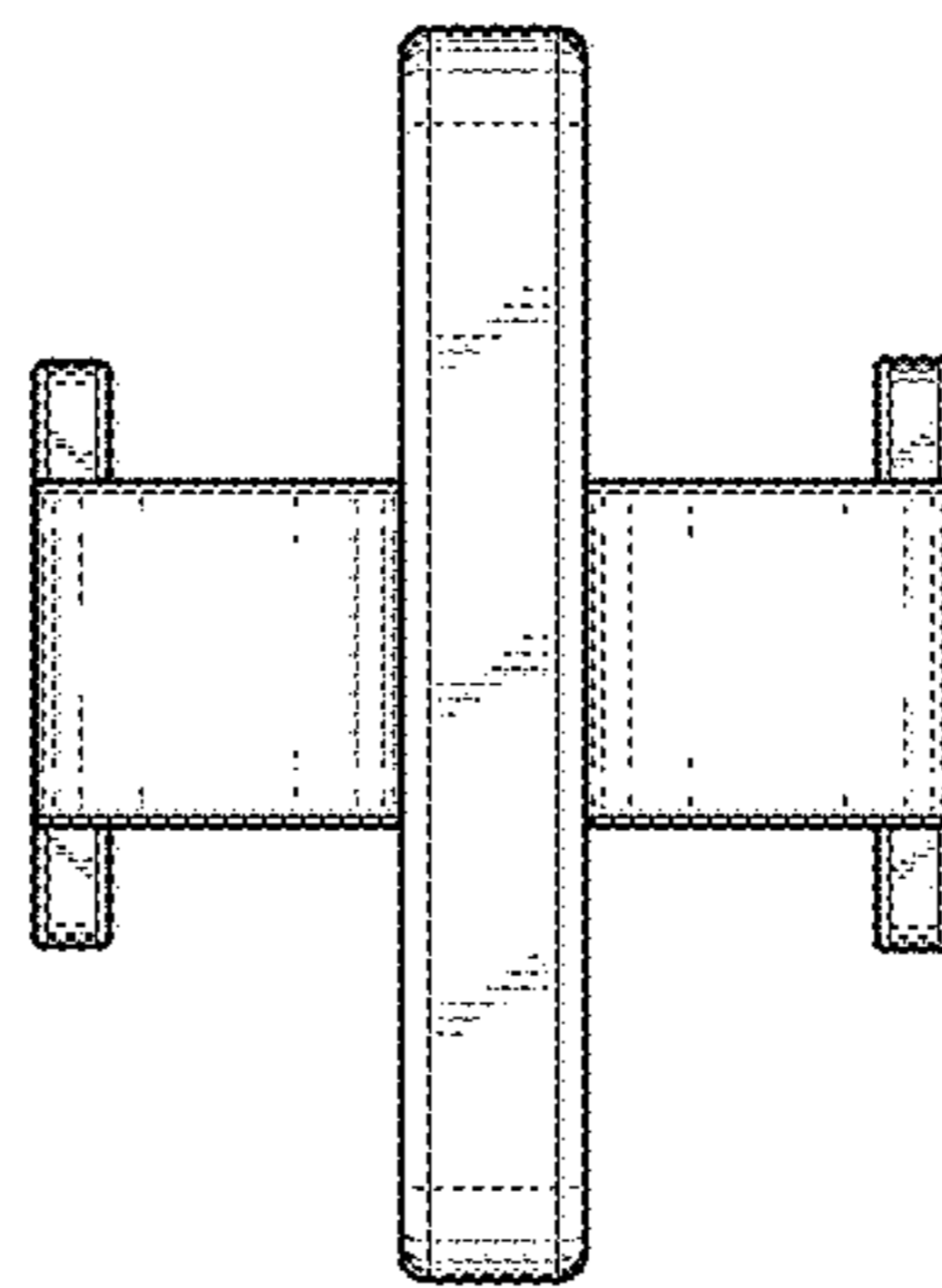


Fig. 6



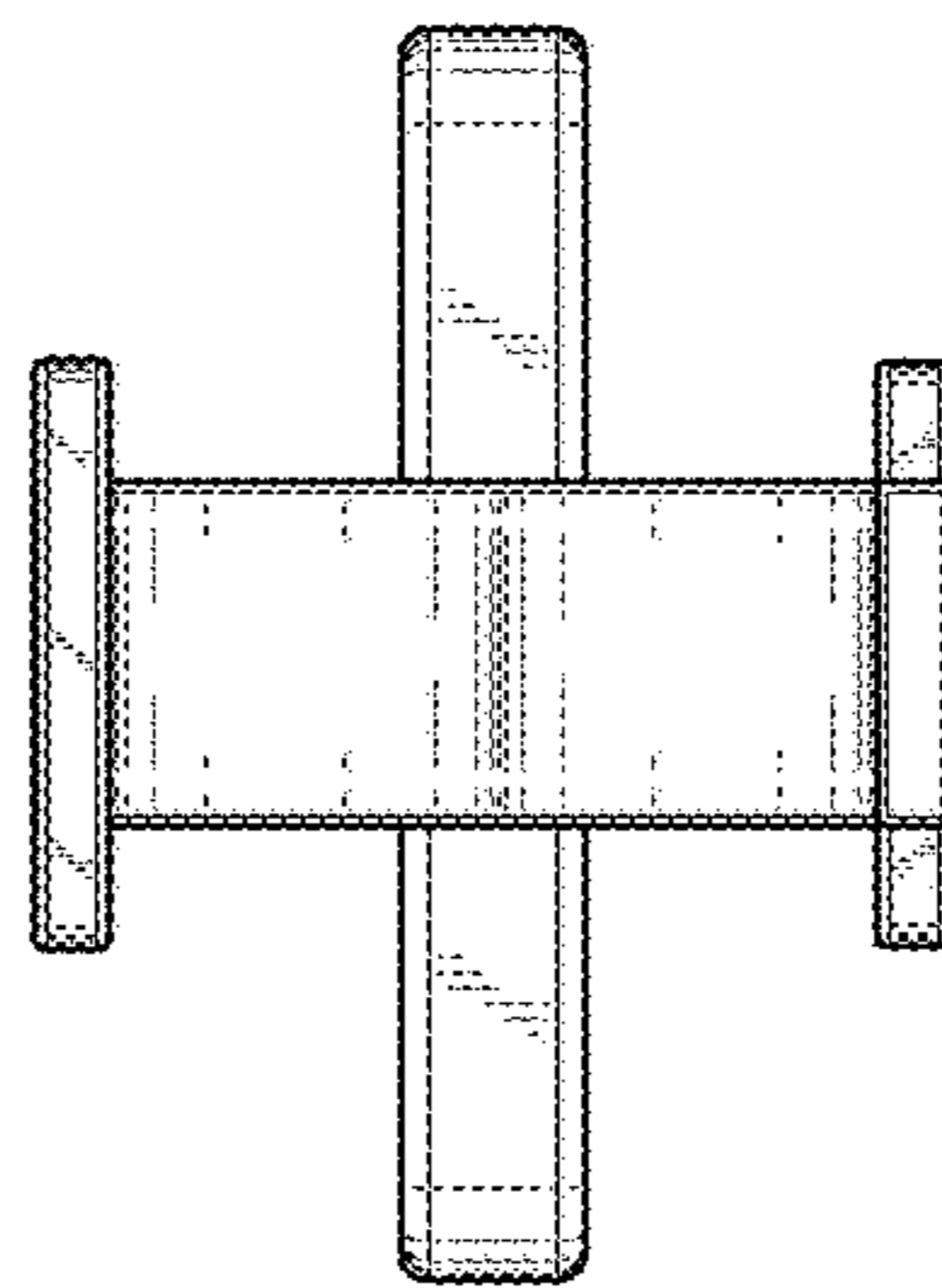


Fig. 7