



US00D848607S

(12) **United States Design Patent** (10) **Patent No.:** **US D848,607 S**
Walls et al. (45) **Date of Patent:** **** May 14, 2019**

- (54) **BREATHING INTERFACE SEAL**
- (71) Applicant: **Fisher & Paykel Healthcare Limited**, Auckland (NZ)
- (72) Inventors: **Bruce Michael Walls**, Auckland (NZ); **Rex Gordon Faithfull**, Auckland (NZ); **Arvin San Jose Gardiola**, Auckland (NZ); **Wen Dong Huang**, Auckland (NZ); **Matthew Robert Geoff Slight**, Auckland (NZ)
- (73) Assignee: **Fisher & Paykel Healthcare Limited**, Auckland (NZ)
- (**) Term: **15 Years**
- (21) Appl. No.: **29/640,467**
- (22) Filed: **Mar. 14, 2018**

Related U.S. Application Data

- (62) Division of application No. 29/581,677, filed on Oct. 20, 2016, now Pat. No. Des. 815,728, which is a division of application No. 29/475,080, filed on Nov. 27, 2013, now Pat. No. Des. 770,036.
- (51) **LOC (11) Cl.** **29-02**
- (52) **U.S. Cl.**
USPC **D24/110.4**
- (58) **Field of Classification Search**
USPC D24/110.1–110.5, 127
CPC A61M 16/0622; A61M 16/0616; A61M 16/0816; A61M 16/08; A61M 16/0633; A61M 16/06; A61M 16/0666; A61M 2210/0618; A61M 16/0683
See application file for complete search history.

(56) **References Cited**

U.S. PATENT DOCUMENTS

D335,367 S 5/1993 Mieskoski
5,394,568 A 3/1995 Brostrom et al.

5,517,986 A 5/1996 Starr et al.
D496,726 S 9/2004 Amarasinghe et al.
D532,511 S 11/2006 Amarasinghe
D532,512 S 11/2006 Amarasinghe
D536,092 S 1/2007 Amarasinghe
D540,940 S 4/2007 Amarasinghe et al.
D542,912 S 5/2007 Gunaratnam et al.
D546,441 S 7/2007 Hitchcock et al.
D561,332 S 2/2008 Amarasinghe et al.

(Continued)

FOREIGN PATENT DOCUMENTS

JP D1464190 2/2013
WO WO 2007/041786 A1 4/2007

(Continued)

OTHER PUBLICATIONS

Australian Examination Report; dated Jul. 8, 2016; 5 pages.

(Continued)

Primary Examiner — Lilyana Bekic

(74) *Attorney, Agent, or Firm* — Knobbe, Martens, Olson & Bear, LLP

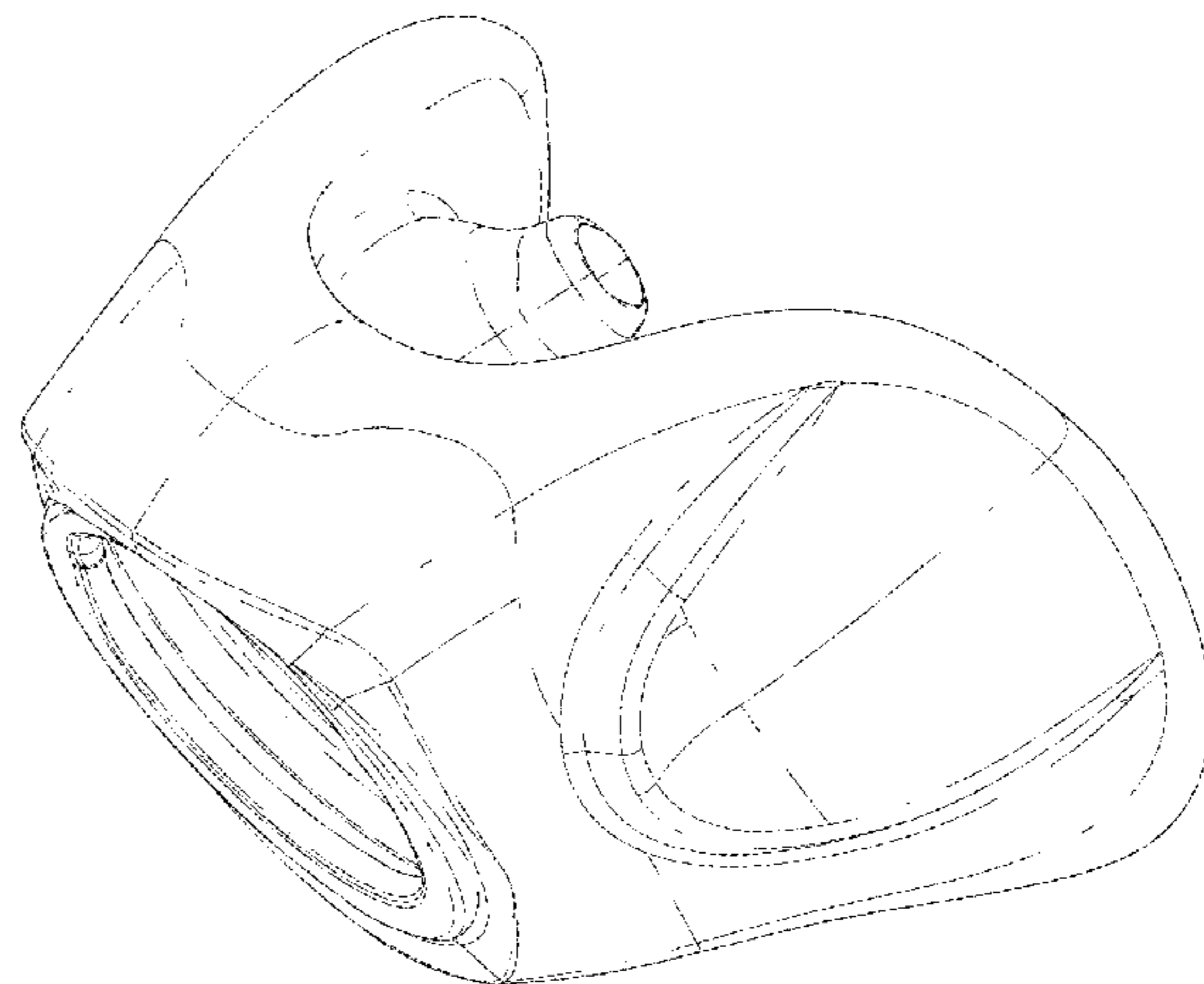
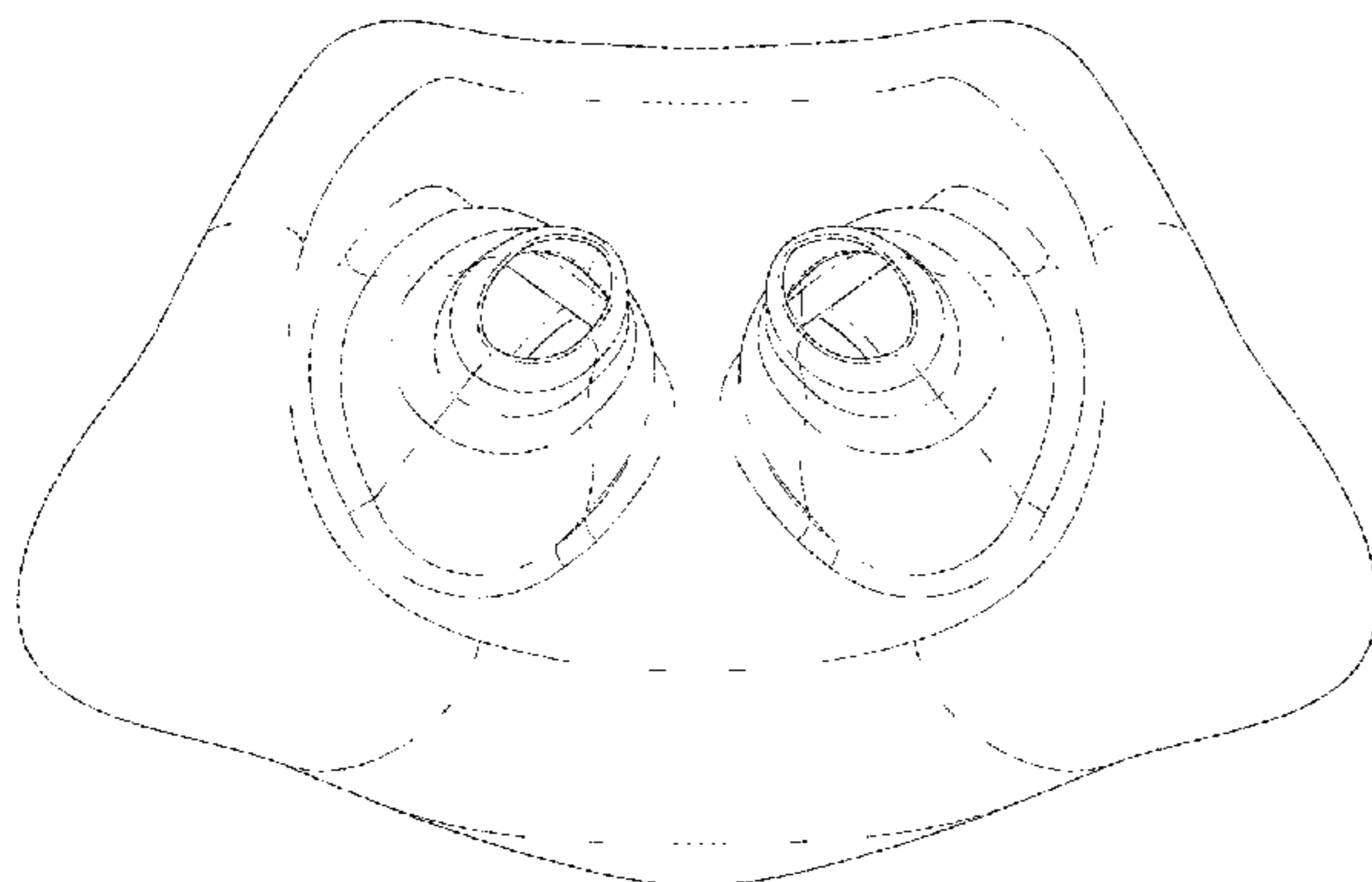
(57) **CLAIM**

The ornamental design for a breathing interface seal, as shown and described.

DESCRIPTION

FIG. 1 is a front view of a beathing interface seal showing our new design.
FIG. 2 is a back view thereof.
FIG. 3 is a left side view thereof.
FIG. 4 is a right side view thereof.
FIG. 5 is a top view thereof
FIG. 6 is a bottom view thereof; and,
FIG. 7 is a top, front and right side perspective view thereof.

1 Claim, 4 Drawing Sheets



(56)

References Cited

U.S. PATENT DOCUMENTS

D612,933 S 3/2010 Prentice et al.
 D653,748 S 2/2012 Henry et al.
 D656,231 S 3/2012 Henry et al.
 D668,328 S 10/2012 Hill et al.
 D691,257 S 10/2013 Siew et al.
 D692,554 S 10/2013 Siew et al.
 D696,767 S 12/2013 Scheiner et al.
 D704,329 S 5/2014 Collazo et al.
 D706,413 S 6/2014 Veliss et al.
 D709,181 S 7/2014 Henry et al.
 8,839,791 B2 9/2014 Allum et al.
 8,985,115 B2 3/2015 Baecke et al.
 D729,381 S 5/2015 Nimes et al.
 D737,953 S 9/2015 Wells et al.
 D746,436 S * 12/2015 Guney D24/110.1
 D747,460 S * 1/2016 Hoge D24/110.1
 D770,036 S 10/2016 Walls et al.
 D787,661 S * 5/2017 Edwards D24/110.4
 D797,921 S * 9/2017 Huang D24/110.4
 D815,728 S 4/2018 Walls et al.
 10,039,894 B2 * 8/2018 Walls A61M 16/0683
 10,080,856 B2 * 9/2018 McLaren A61M 16/06
 2003/0196658 A1 10/2003 Ging et al.
 2004/0112377 A1 6/2004 Amarasinghe et al.
 2004/0226566 A1 11/2004 Gunaratnam et al.
 2006/0081252 A1 4/2006 Wood
 2007/0163600 A1 7/2007 Hoffman
 2008/0190432 A1 8/2008 Blochlinger et al.
 2009/0044808 A1 2/2009 Guney et al.
 2009/0095298 A1 4/2009 Gunaratnam et al.
 2009/0250065 A1 10/2009 Omura et al.
 2010/0224199 A1 9/2010 Smith et al.
 2010/0229868 A1 9/2010 Rummery et al.
 2010/0258136 A1 10/2010 Doherty et al.
 2011/0000492 A1 1/2011 Veliss et al.
 2011/0146685 A1 6/2011 Allan et al.
 2011/0197341 A1 8/2011 Formica et al.
 2011/0232649 A1 9/2011 Collazo et al.
 2011/0253143 A1 10/2011 Ho et al.
 2011/0259335 A1 10/2011 Sullivan
 2012/0067349 A1 3/2012 Barlow et al.
 2012/0090622 A1 4/2012 Chang
 2012/0138060 A1 6/2012 Barlow

2012/0222680 A1 9/2012 Eves et al.
 2013/0042871 A1 2/2013 Chang
 2013/0186403 A1 7/2013 Chang
 2013/0199537 A1 8/2013 Formica et al.
 2013/0220327 A1 8/2013 Barlow et al.
 2014/0000614 A1 1/2014 Chang
 2014/0264975 A1 9/2014 Bath et al.
 2014/0283843 A1 9/2014 Eves et al.
 2015/0151071 A1 6/2015 Von Moger et al.
 2015/0199479 A1 7/2015 Semen et al.
 2015/0224274 A1 8/2015 Siew et al.
 2015/0290415 A1 10/2015 Dunn
 2016/0051784 A1 * 2/2016 Eury A61M 16/0666
 128/207.18
 2016/0151596 A1 * 6/2016 Slight A61M 16/0622
 128/207.18
 2016/0166792 A1 * 6/2016 Allan A61M 16/06
 128/205.25
 2016/0166793 A1 * 6/2016 McLaren A61M 16/06
 128/207.11
 2016/0287830 A1 10/2016 Walls et al.
 2017/0119988 A1 * 5/2017 Allan A61M 16/0666
 2018/0078725 A1 * 3/2018 Richardson A61M 16/0666
 2018/0304036 A1 * 10/2018 Huang A61M 16/0666
 2018/0318541 A1 * 11/2018 Walls A61M 16/0816

FOREIGN PATENT DOCUMENTS

WO WO 2009/059353 A1 5/2009
 WO WO 2011/060479 A1 5/2011
 WO WO 2012/045127 4/2012

OTHER PUBLICATIONS

International Search Report; PCT/IB2014/066374; dated Feb. 16, 2015; 4 pages.
 International Preliminary Report on Patentability; PCT/IB2014/066374; dated Jun. 9, 2016; 5 page.
 Neprene Fabrics, http://www.rockywoods.com/Fabrics-Kits/Neoprene_Fabrics.
 Supplementary Search Report in European Application No. 14865246.4 dated Jun. 16, 2017 in 7 pages.
 Australian Examination Report for Australian patent application 2017245368; dated Sep. 27, 2018; 3 pages.

* cited by examiner

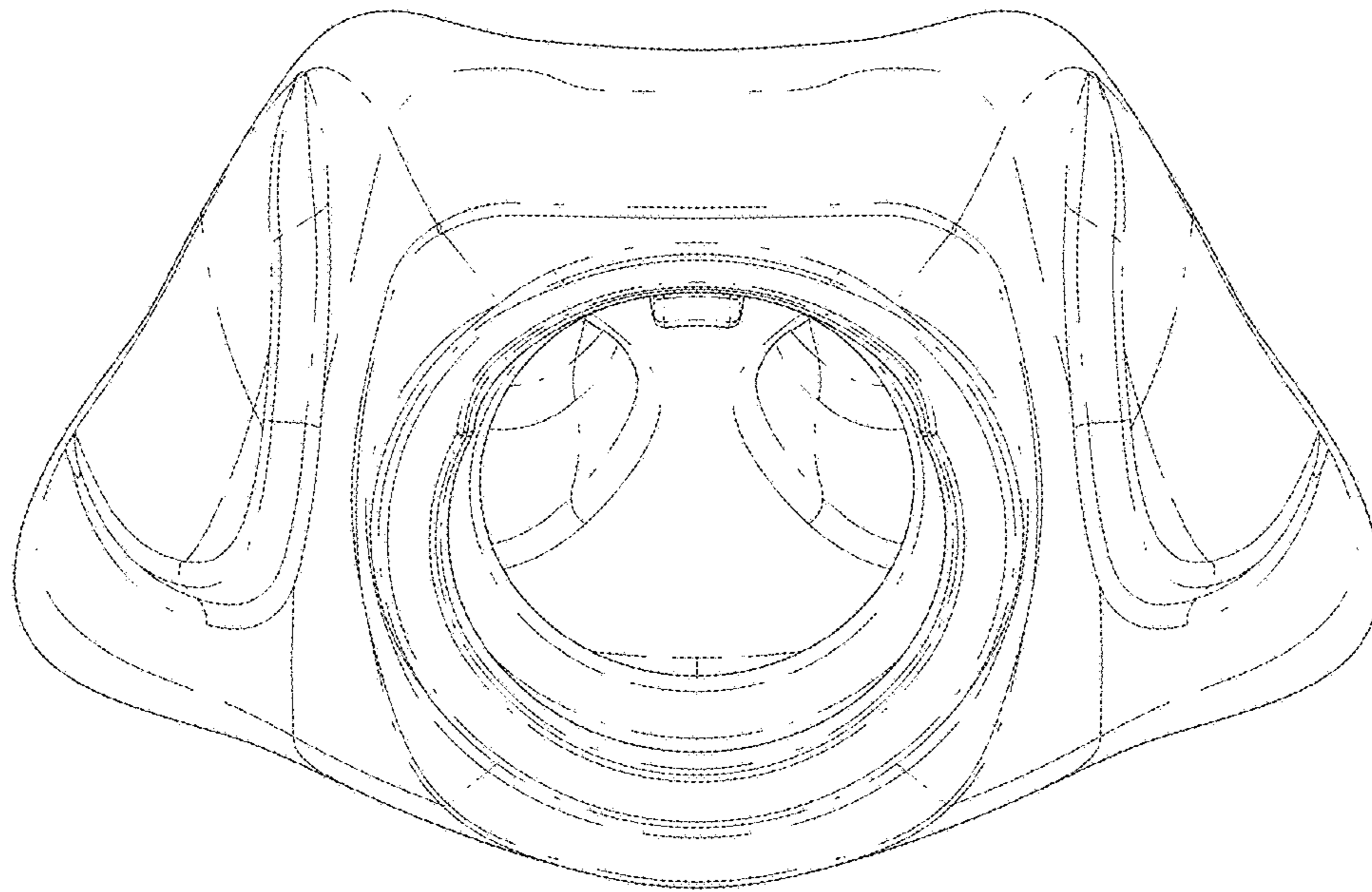


FIG. 1

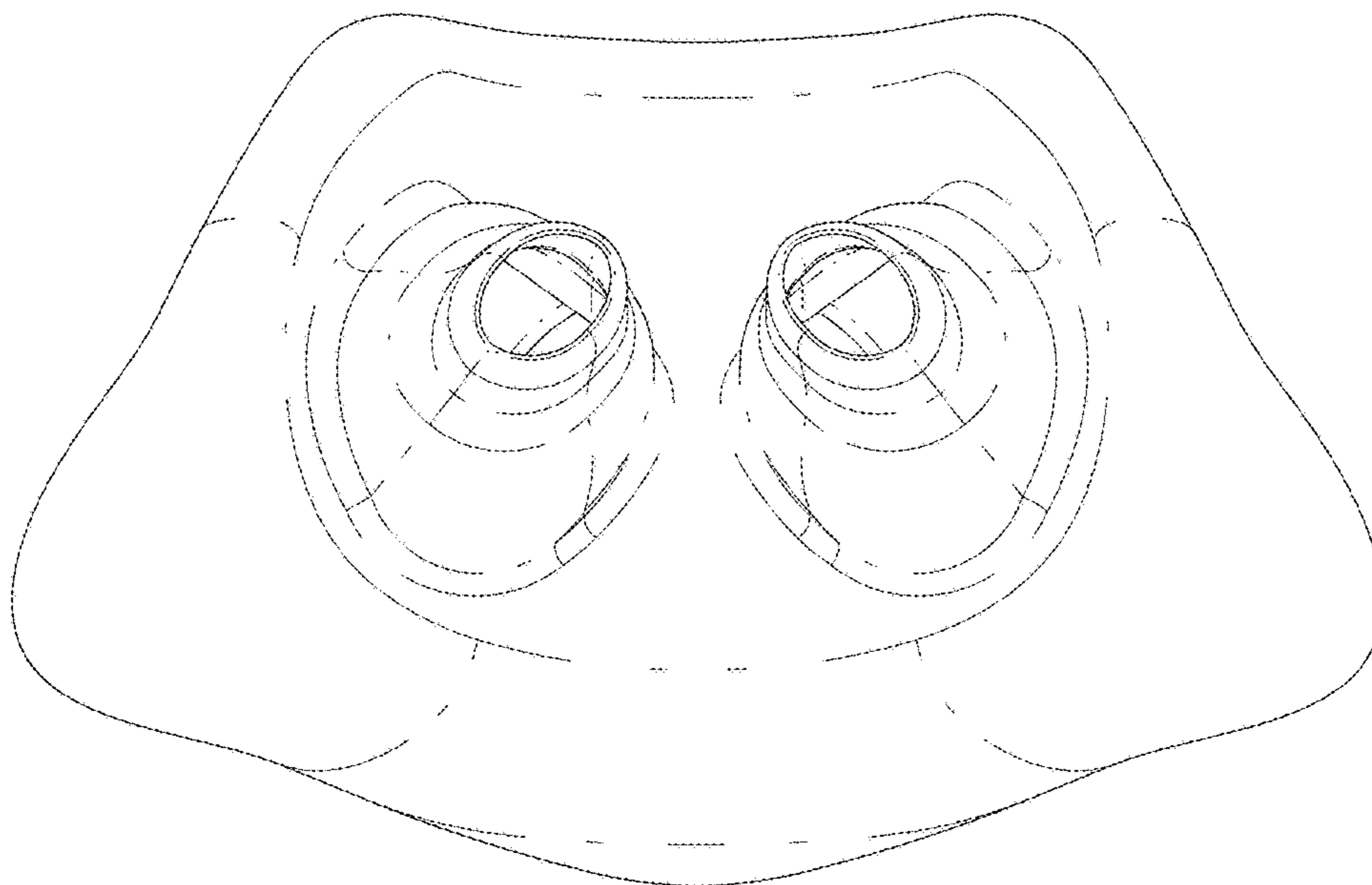


FIG. 2

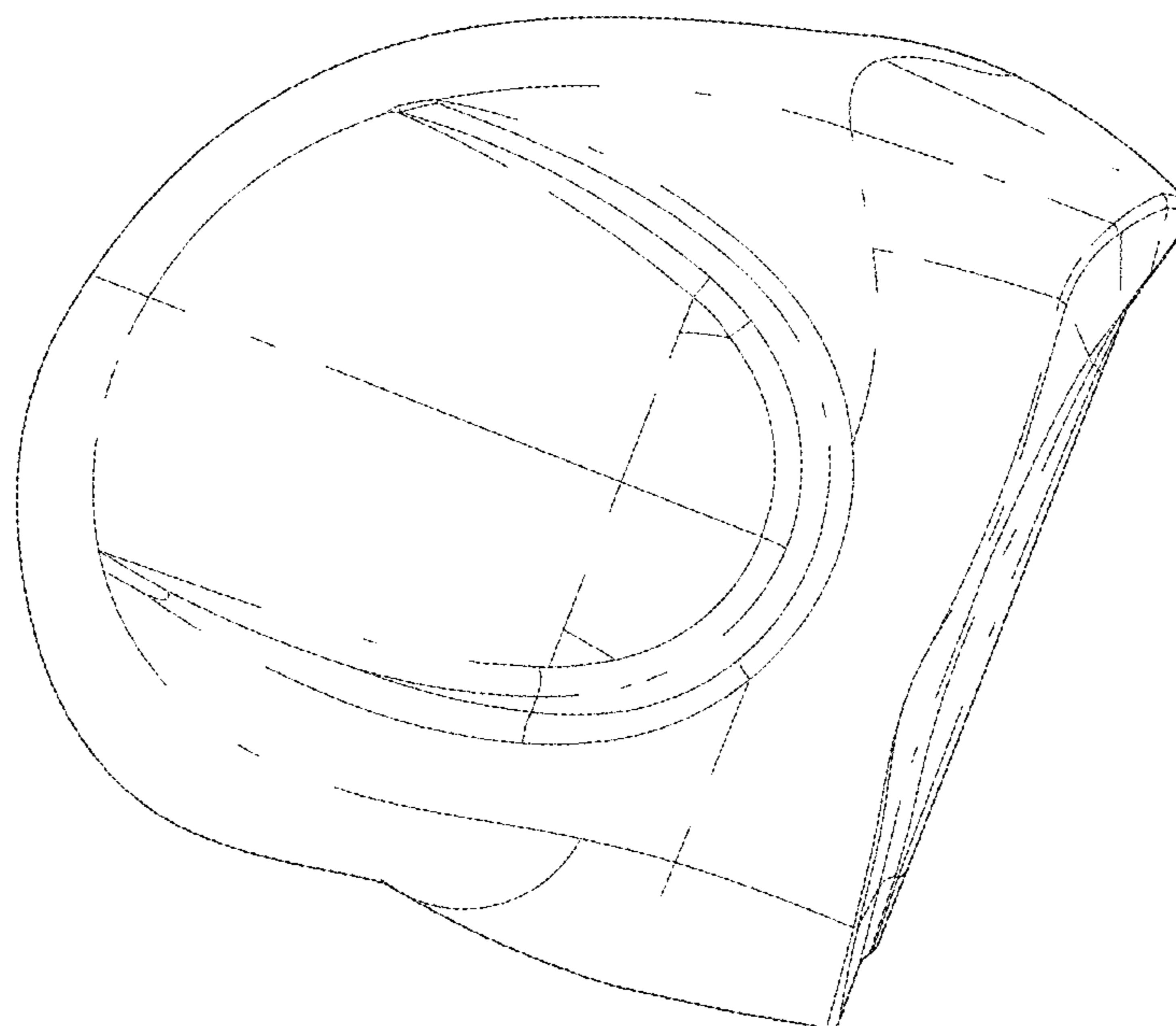


FIG. 3

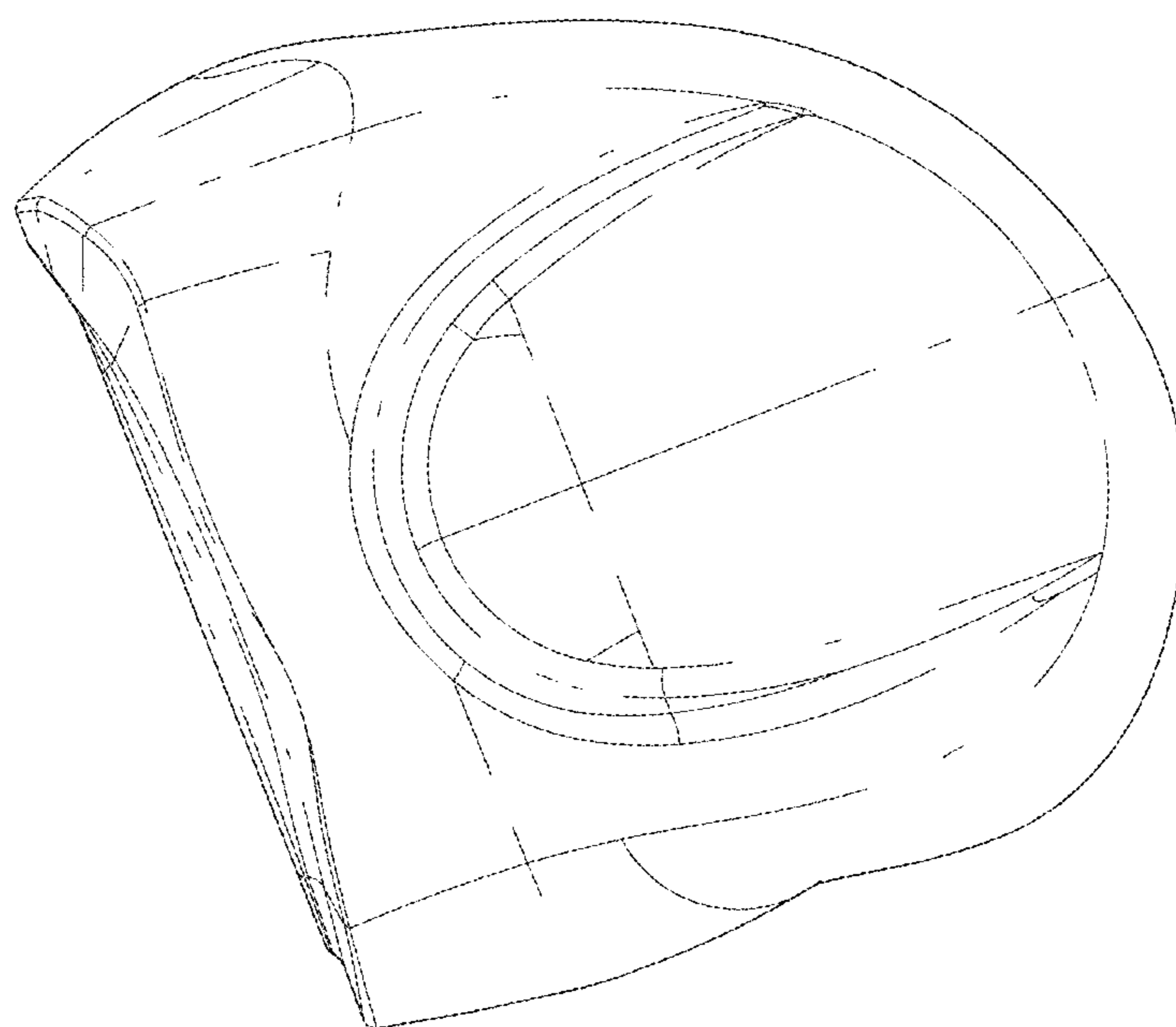


FIG. 4

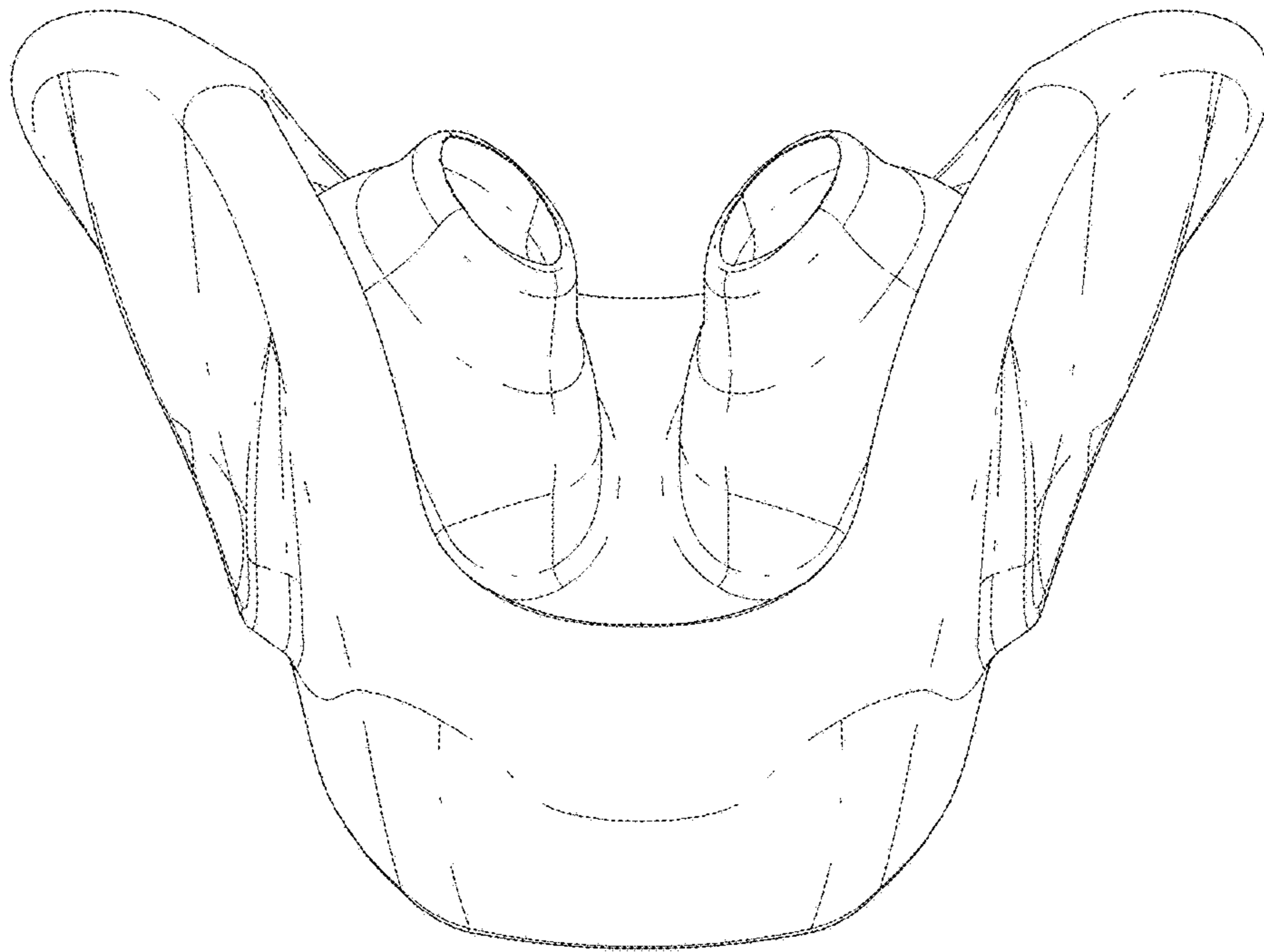


FIG. 5

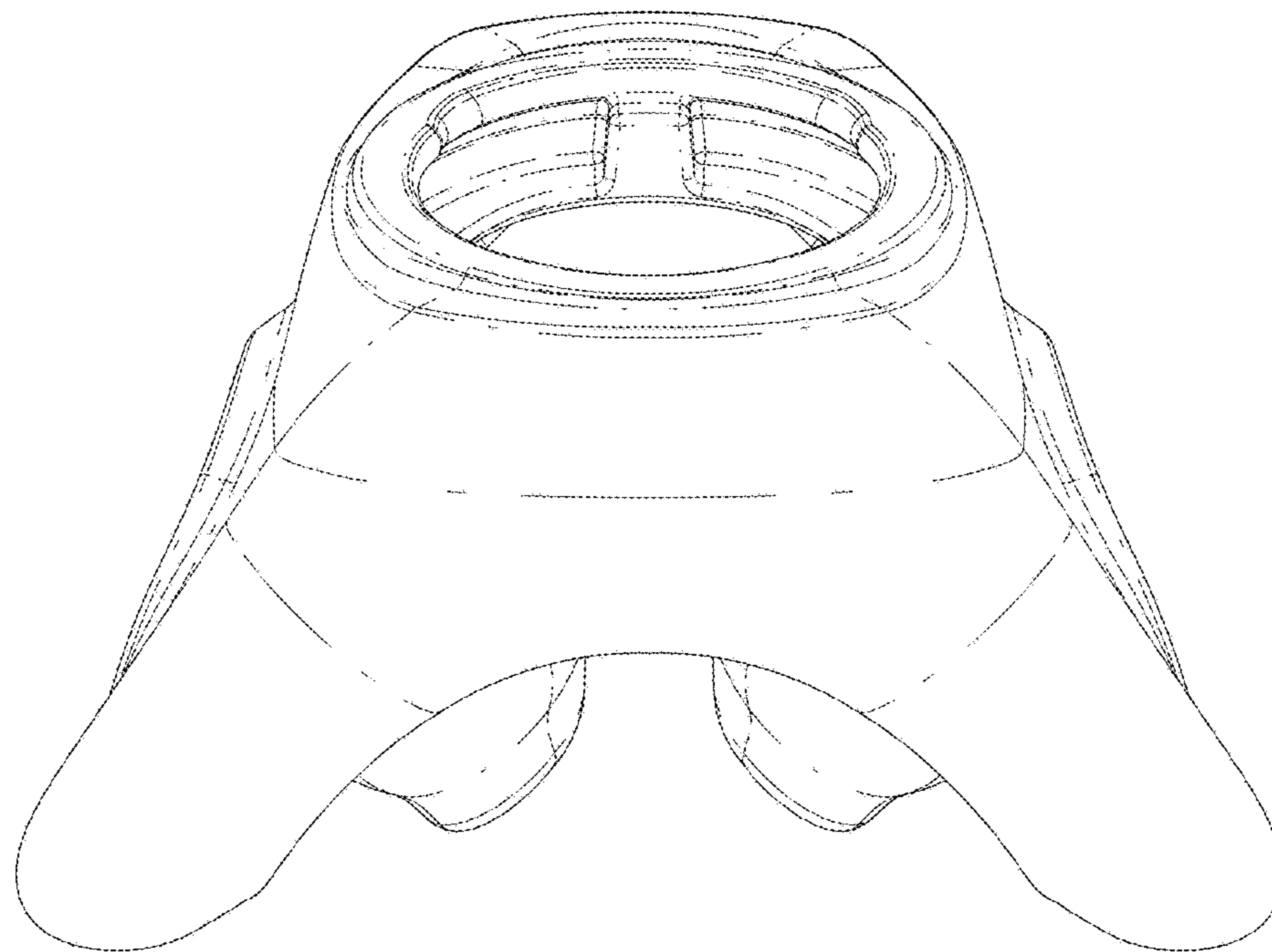


FIG. 6

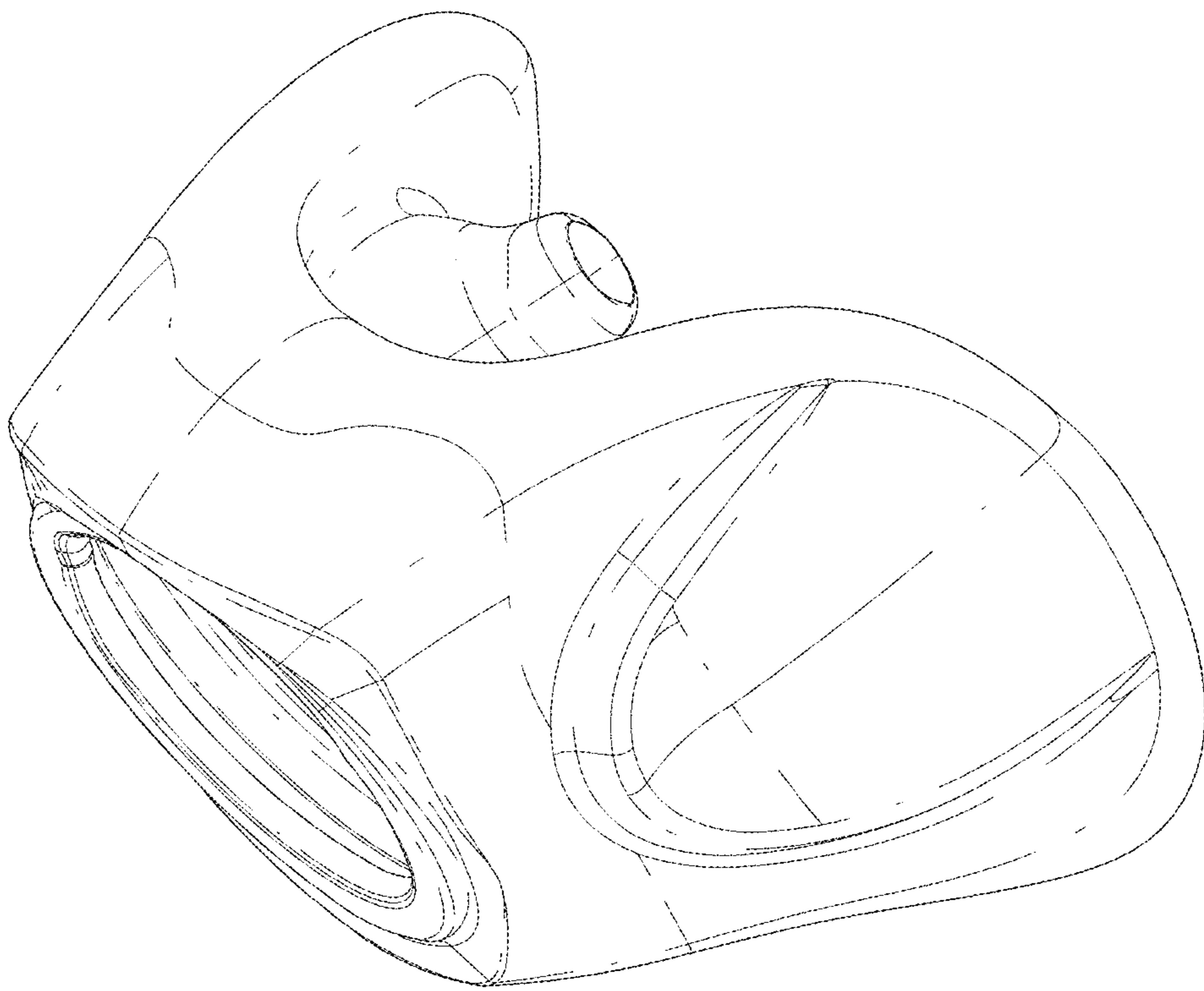


FIG. 7

UNITED STATES PATENT AND TRADEMARK OFFICE
CERTIFICATE OF CORRECTION

PATENT NO. : D848,607 S
APPLICATION NO. : 29/640467
DATED : May 14, 2019
INVENTOR(S) : Bruce Michael Walls et al.

Page 1 of 1

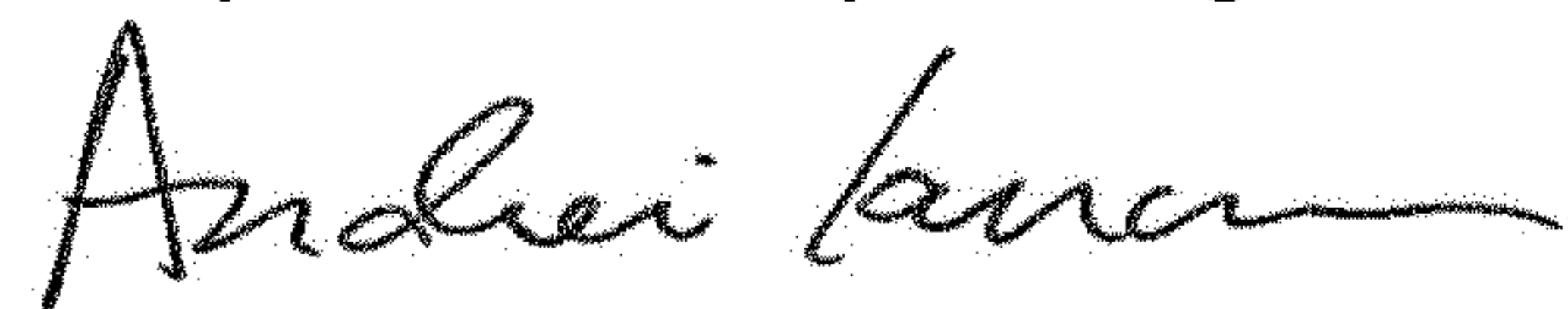
It is certified that error appears in the above-identified patent and that said Letters Patent is hereby corrected as shown below:

On the Title Page

Item (57), Description, Line 5, change "beathing" to --breathing--.

Item (57), Description, Line 10, after "thereof" insert ---.

Signed and Sealed this
Twenty-seventh Day of August, 2019



Andrei Iancu
Director of the United States Patent and Trademark Office