



US00D848604S

(12) **United States Design Patent**
Fujino et al.

(10) **Patent No.:** **US D848,604 S**

(45) **Date of Patent:** **** May 14, 2019**

(54) **INHALER**

- (71) Applicant: **OMRON HEALTHCARE Co., Ltd.**,
Muko-shi, Kyoto (JP)
- (72) Inventors: **Minoru Fujino**, Muko (JP); **Tsuyoshi Ogihara**, Muko (JP); **Shusuke Eshita**, Muko (JP); **Masahiko Yumoto**, Muko (JP); **Tadashi Koike**, Muko (JP); **Yukiko Mitsunami**, Muko (JP); **Sunao Ouchida**, Osaka (JP); **Yoshiaki Iida**, Moriguchi (JP)
- (73) Assignee: **OMRON HEALTHCARE Co., Ltd.**,
Kyoto (JP)

(**) Term: **15 Years**

(21) Appl. No.: **29/608,849**

(22) Filed: **Jun. 26, 2017**

(30) **Foreign Application Priority Data**

Dec. 28, 2016 (JP) 2016-028543

(51) **LOC (11) Cl.** **29-02**

(52) **U.S. Cl.**
USPC **D24/110**

(58) **Field of Classification Search**
USPC D24/107, 108, 110, 110.1-110.5, 127,
D24/164; D29/108; 128/200.14, 200.23;
(Continued)

(56) **References Cited**

U.S. PATENT DOCUMENTS

- D424,236 S * 5/2000 Reed D27/163
 - D441,071 S * 4/2001 Attolini D24/110
- (Continued)

FOREIGN PATENT DOCUMENTS

CN 300694436 9/2007

OTHER PUBLICATIONS

Omron MicroAIR NE-U22-E Pocket Nebuliser, posted at amazon.com, earliest date reviewed on Mar. 6, 2008, [online], acquired on Jan. 18, 2018. Available from Internet, <URL: https://www.amazon.co.uk/Omron-MicroAIR-NE-U22-E-Pocket-Nebuliser/dp/B000UGYD48/ref=cm_cr_arp_d_product_top?ie=UTF8> (Year: 2008).*

Primary Examiner — Lilyana Bekic
Assistant Examiner — Aula Soroush
(74) *Attorney, Agent, or Firm* — Capitol City TechLaw

(57) **CLAIM**

The ornamental design for an inhaler, as shown and described.

DESCRIPTION

FIG. 1 is a front, top, and right side perspective view of an inhaler showing our new design in which the nozzle cap is installed;

FIG. 2 is a rear, top, and left side perspective view thereof;

FIG. 3 is a front view thereof;

FIG. 4 is a rear view thereof;

FIG. 5 is a top view thereof;

FIG. 6 is a bottom view thereof;

FIG. 7 is a right side view thereof;

FIG. 8 is a left side view thereof;

FIG. 9 is a front, top, and right side perspective view showing an alternate configuration of the inhaler in which the nozzle cap is removed;

FIG. 10 is a rear, top, and left side perspective view thereof;

FIG. 11 is a front view thereof;

FIG. 12 is a rear view thereof;

FIG. 13 is a top view thereof;

FIG. 14 is a bottom view thereof;

FIG. 15 is a right side view thereof;

FIG. 16 is a left side view thereof;

FIG. 17 is a front, top, and right side perspective view showing an alternate configuration of the inhaler in which the nozzle cap is removed and the cover is opened;

FIG. 18 is a rear, top, and left side perspective view thereof;

FIG. 19 is a front view thereof;

(Continued)

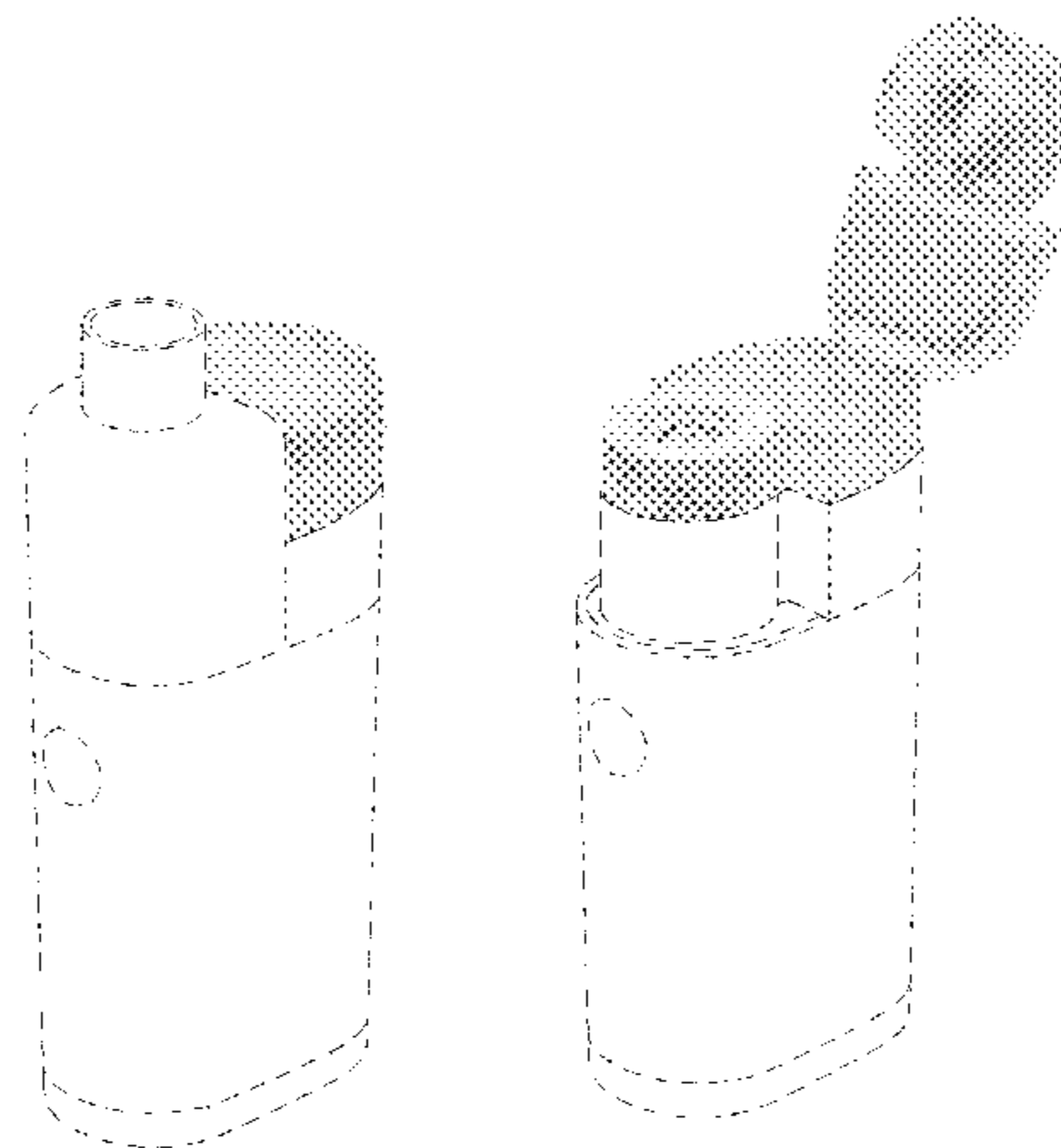


FIG. 20 is a rear view thereof;
FIG. 21 is a top view thereof;
FIG. 22 is a bottom view thereof;
FIG. 23 is a right side view thereof; and,
FIG. 24 is a left side view thereof.

The dashed broken lines shown in the figures illustrate portions of the inhaler that form no part of the claimed design. The dot-dash broken lines shown in the figures define the bounds of the claim and form no part thereof.

1 Claim, 24 Drawing Sheets

(58) **Field of Classification Search**

USPC D27/100, 101, 162, 163, 164, 165,
D27/169-171, 194
CPC A61M 15/0085; A61M 15/0005; A61M
11/005; A61M 11/00; A61M 11/02;
A61M 11/04; A61M 5/087; A61M
5/0871; A61M 5/091; A61M 5/097;
A61M 15/00; A61M 15/0065; A61M
15/0091; A61M 15/0021; A61M 15/0026;
A61M 15/008; A61M 15/007; A63B

23/18; A24F 1/00; A24F 1/02; A24F
1/04; A24F 1/06; A24F 1/08; A24F 1/10;
A24F 1/12; A24F 1/14; A24F 1/26; A24F
1/28; A24F 7/00; A24F 7/02; A24F 7/04

See application file for complete search history.

(56)

References Cited

U.S. PATENT DOCUMENTS

D512,777	S	*	12/2005	Beisner	D24/110
D549,341	S	*	8/2007	Ross	D24/164
D549,342	S	*	8/2007	Ross	D24/164
D558,330	S	*	12/2007	Chang	D24/110
D613,395	S	*	4/2010	Nakao	D24/110
D613,396	S	*	4/2010	Nakao	D24/110
D656,606	S	*	3/2012	Palmer-Felgate	D24/110
D729,444	S	*	5/2015	Leidel	D27/163
D753,336	S	*	4/2016	Chen	D27/101
D758,656	S	*	6/2016	Freshwater	D27/163
D761,999	S	*	7/2016	Liu	D27/101
D771,867	S	*	11/2016	Leidel	D27/163
D773,114	S	*	11/2016	Leidel	D27/163
D775,762	S	*	1/2017	Chen	D27/101
D788,362	S	*	5/2017	Qiu	D27/101

* cited by examiner

FIG. 1

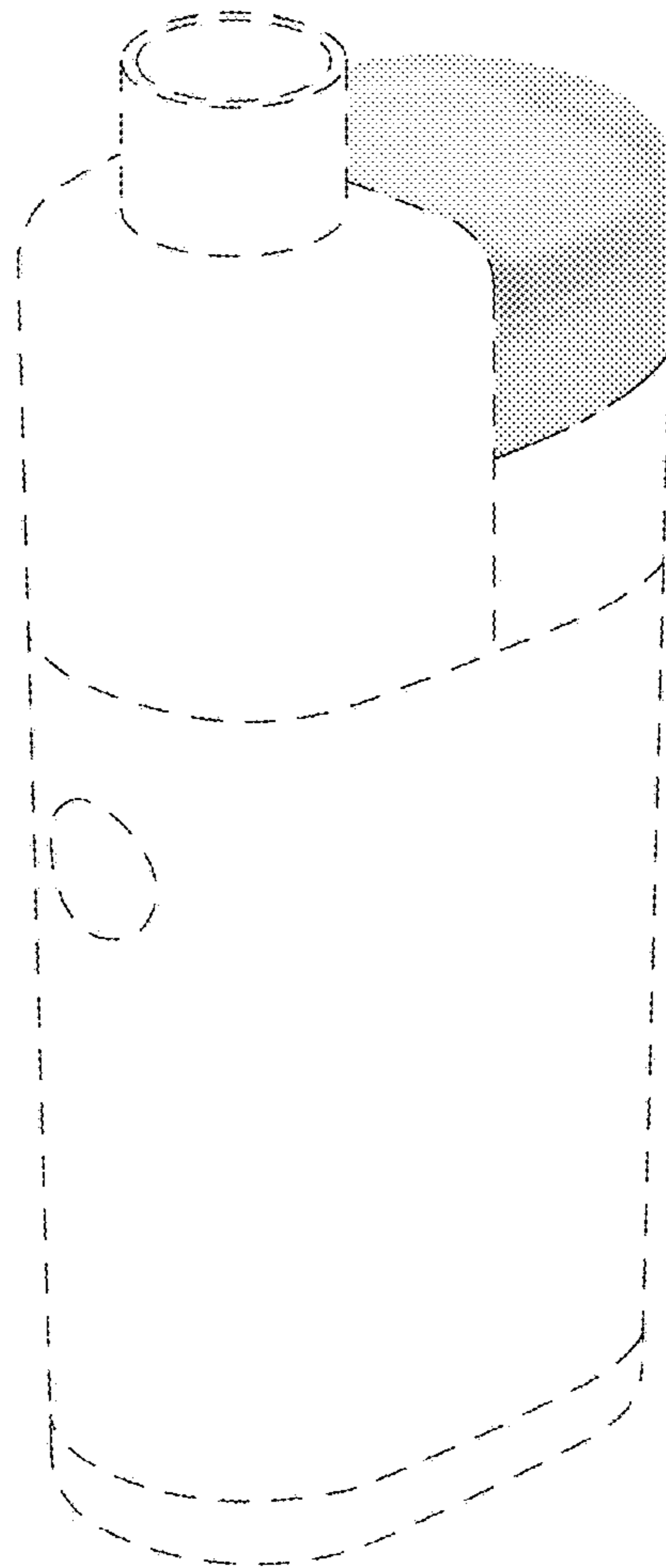


FIG. 2

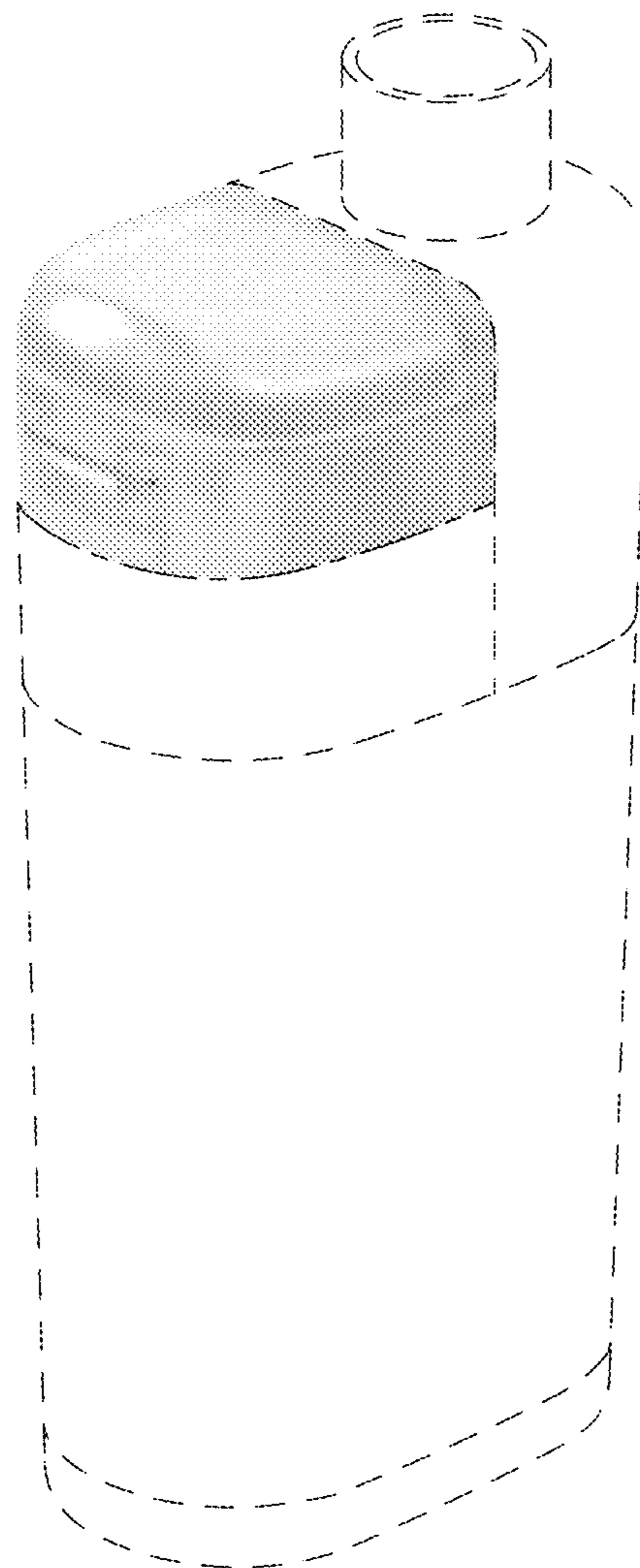


FIG.3

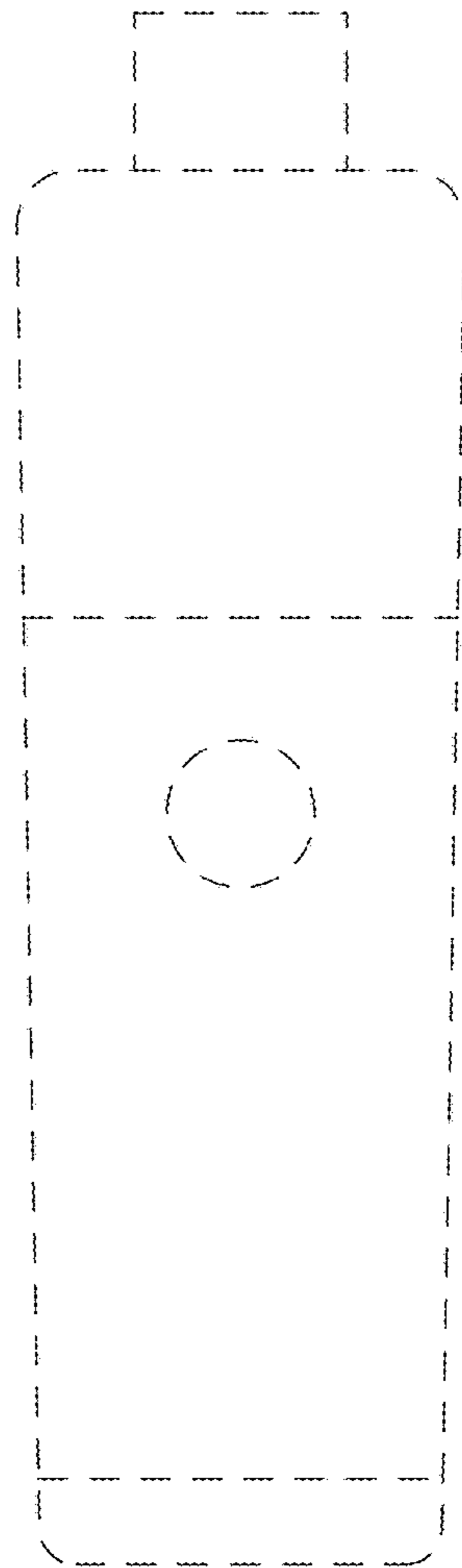


FIG.4

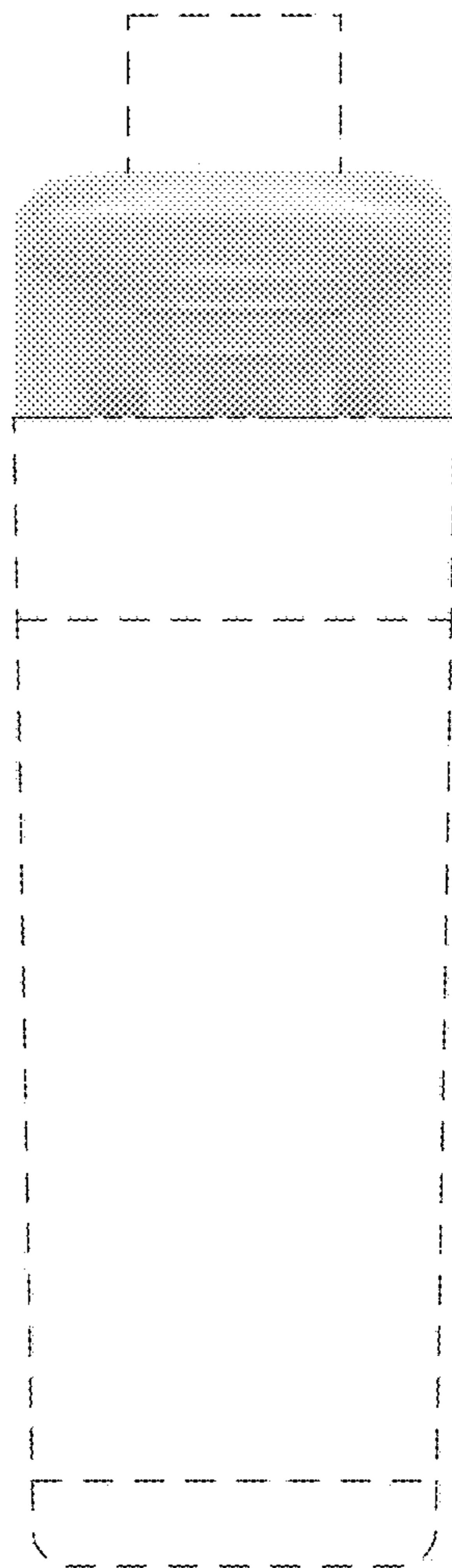


FIG. 5

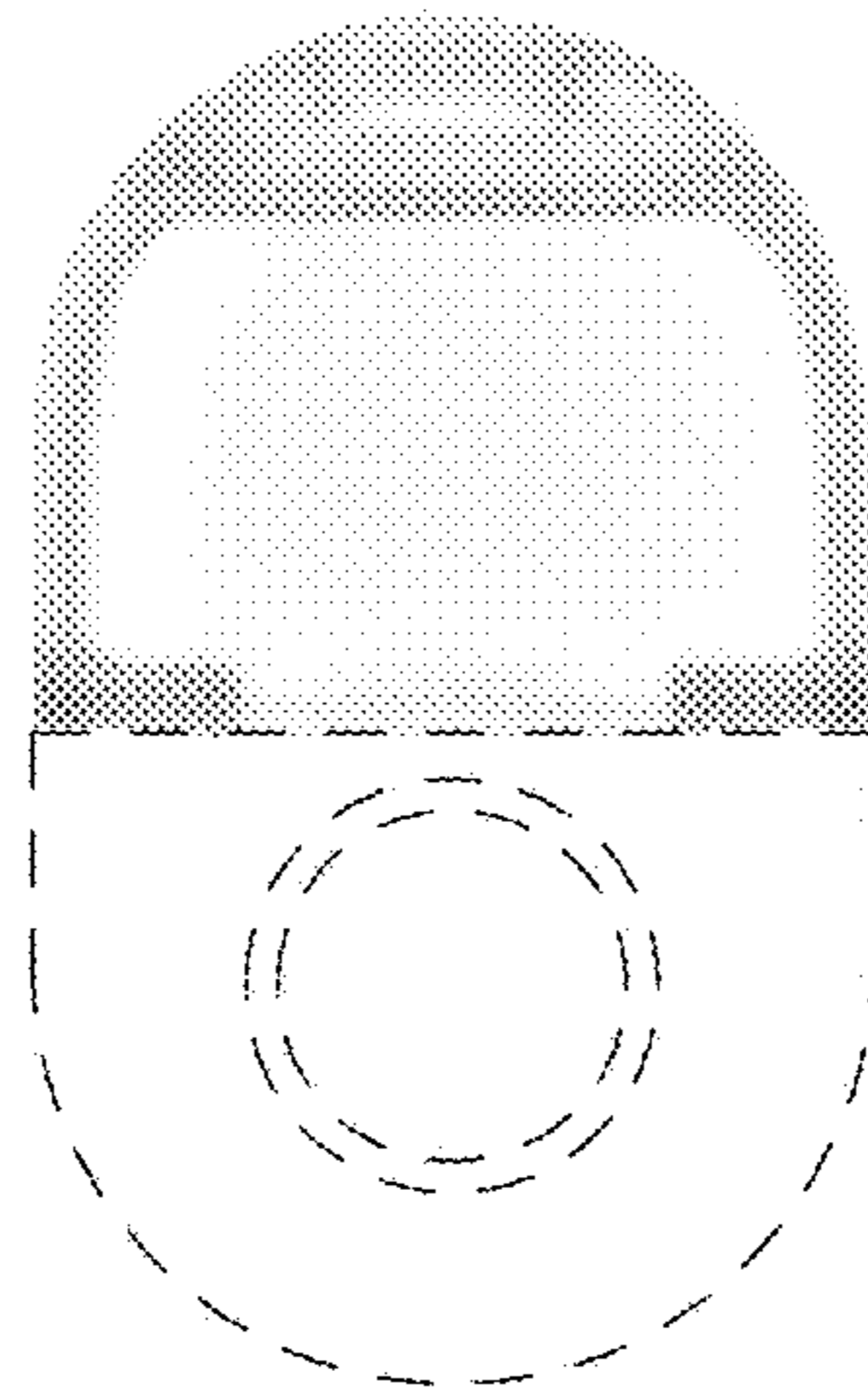


FIG. 6

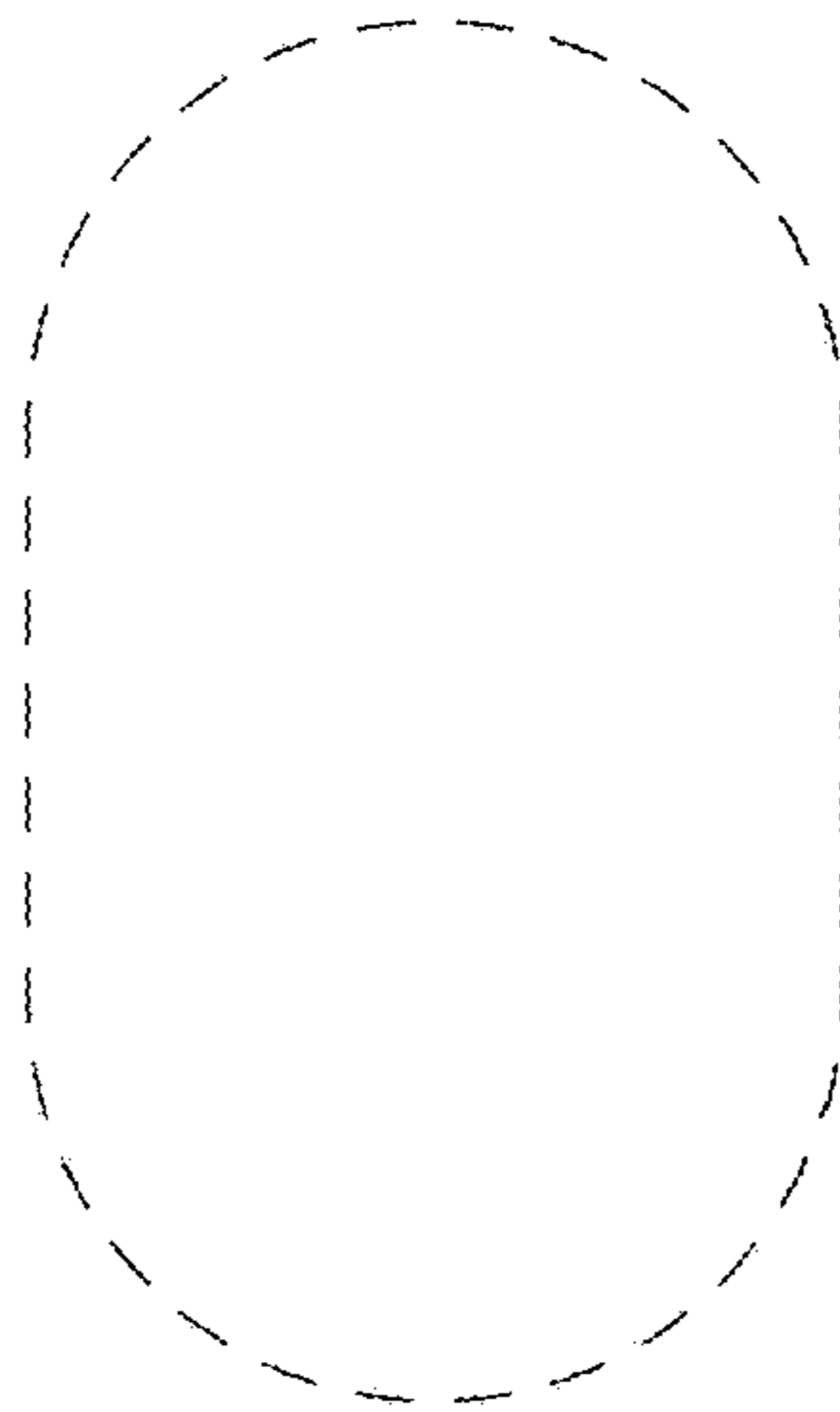


FIG. 7

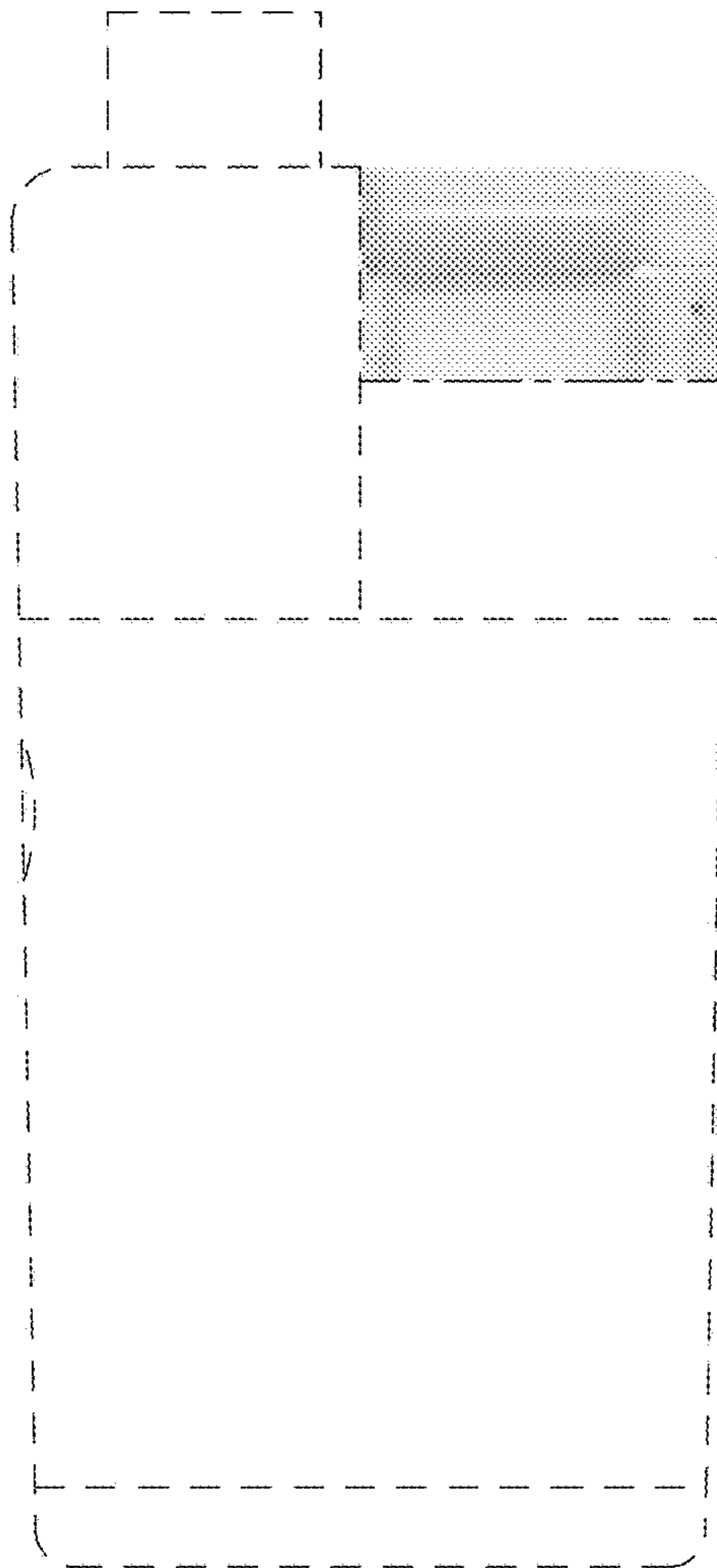


FIG. 8

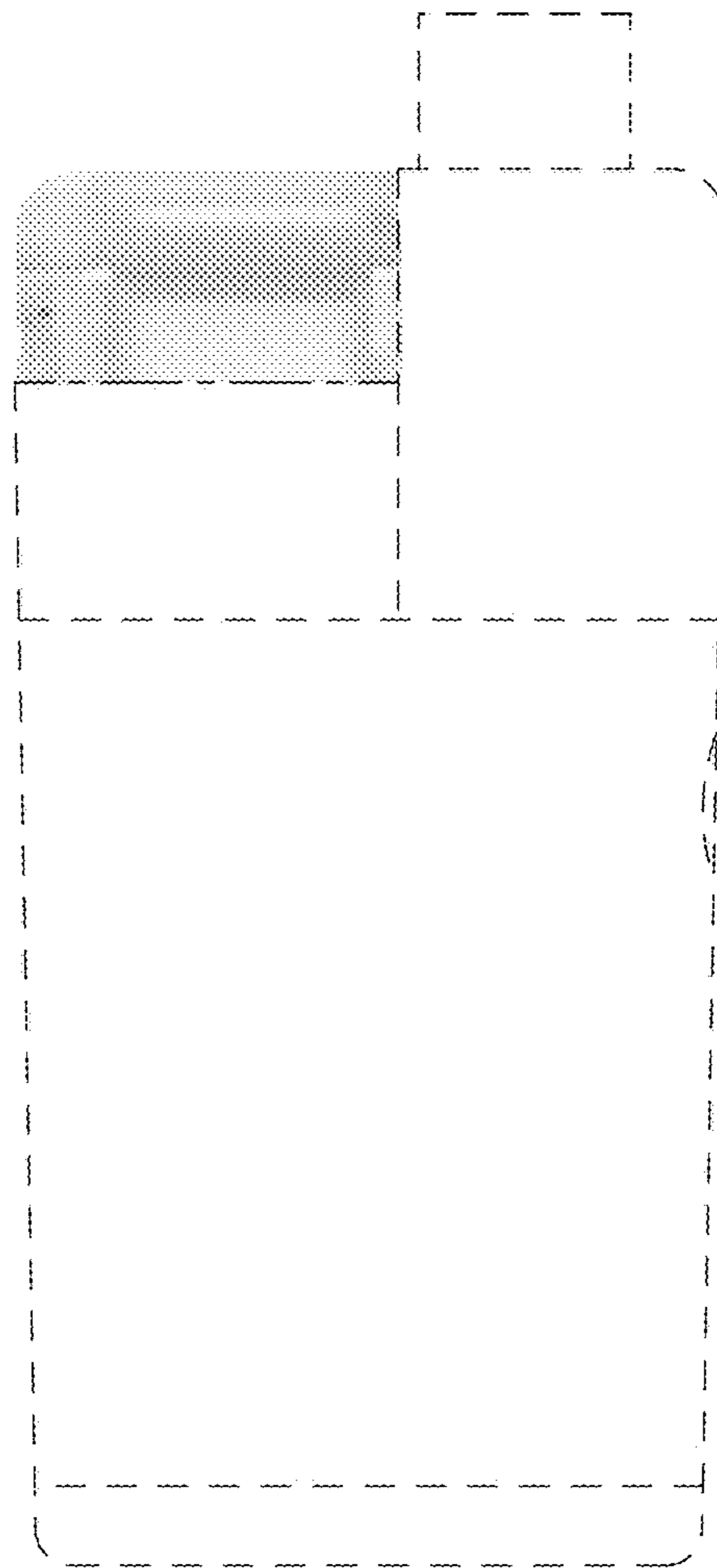


FIG. 9

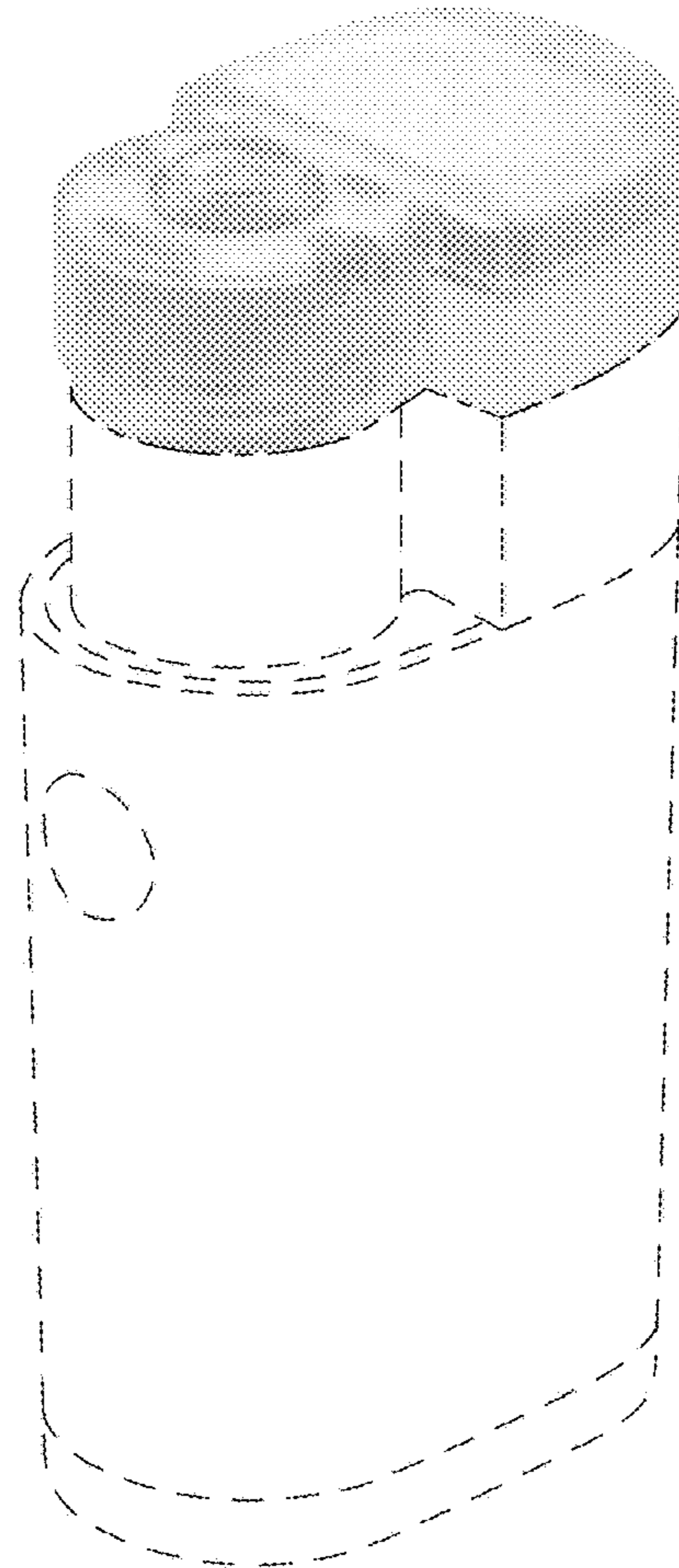


FIG. 10

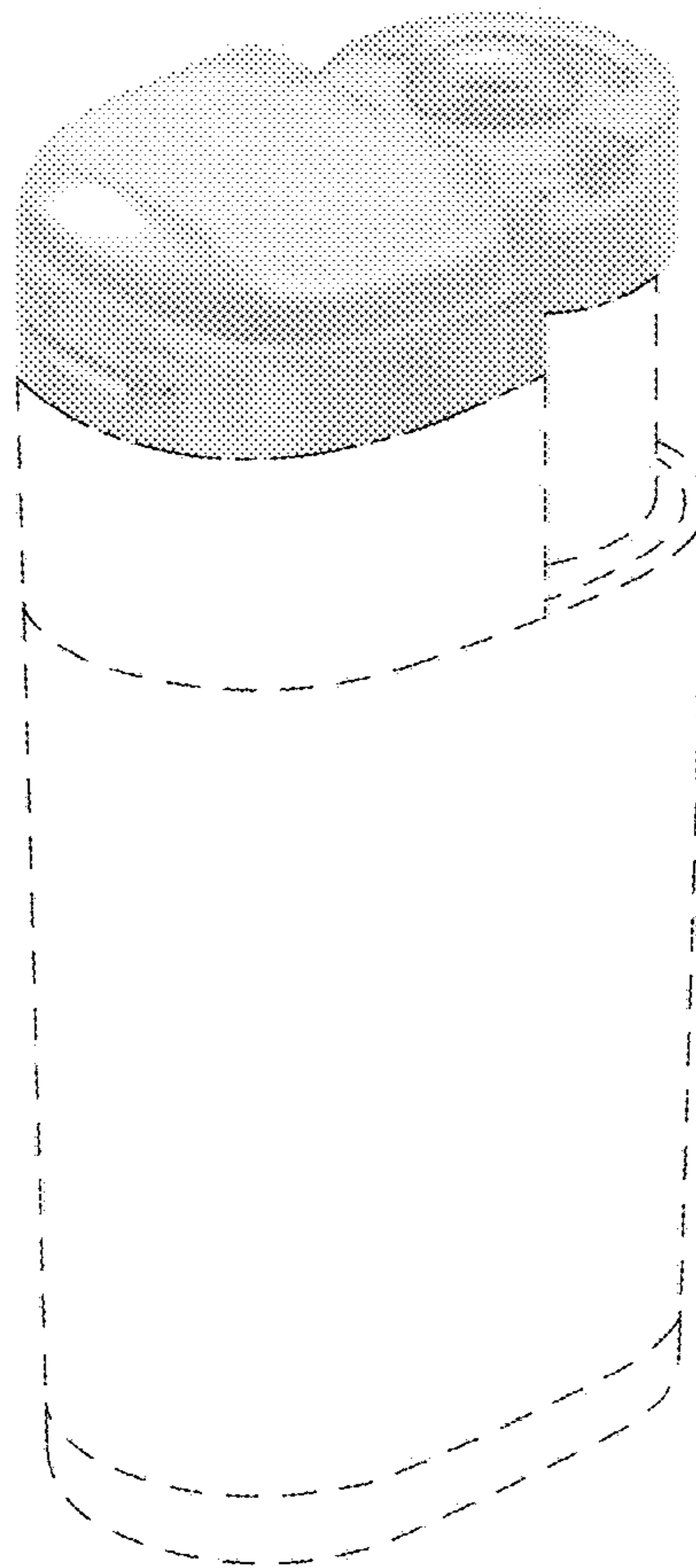


FIG. 11

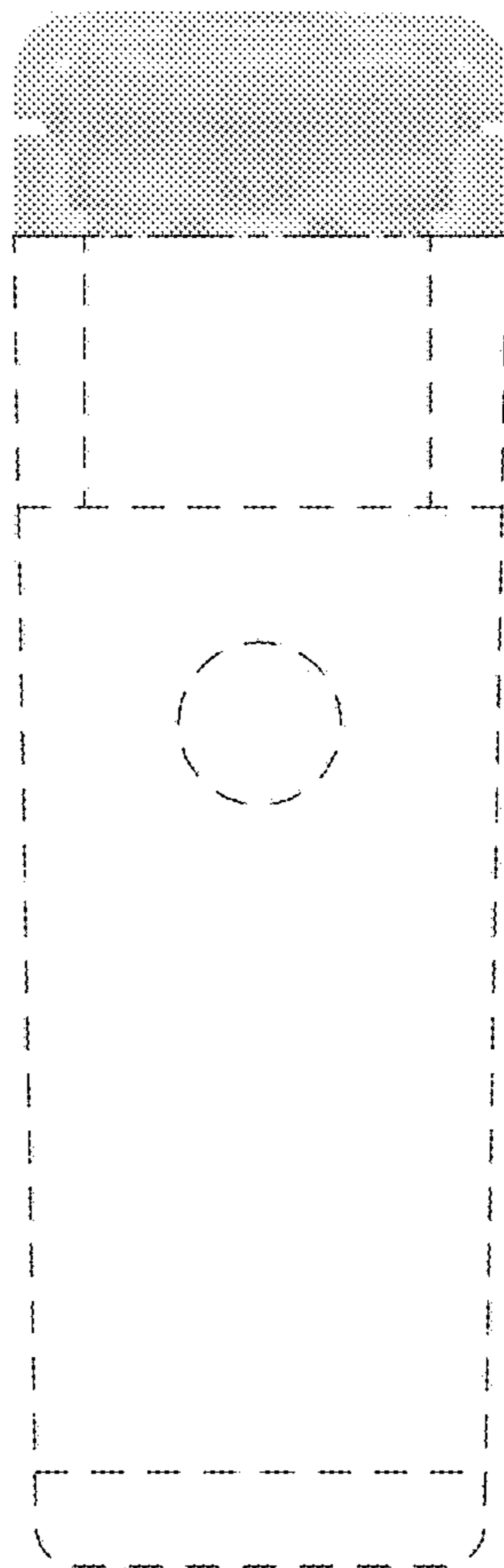


FIG. 12

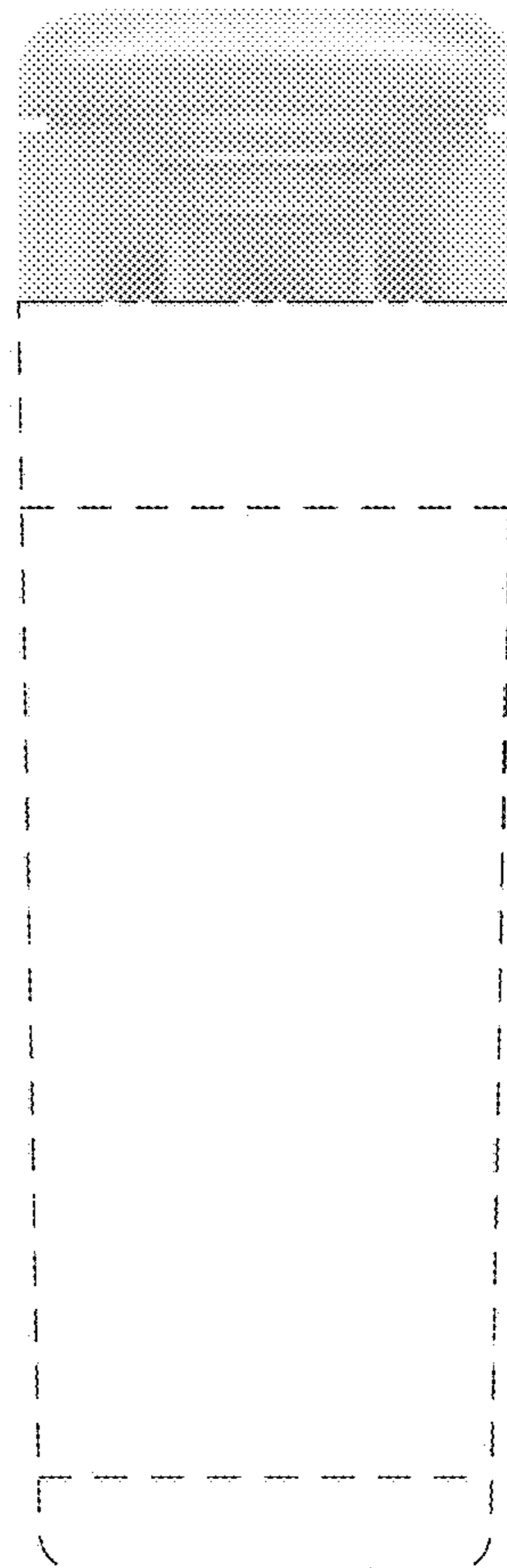


FIG. 13

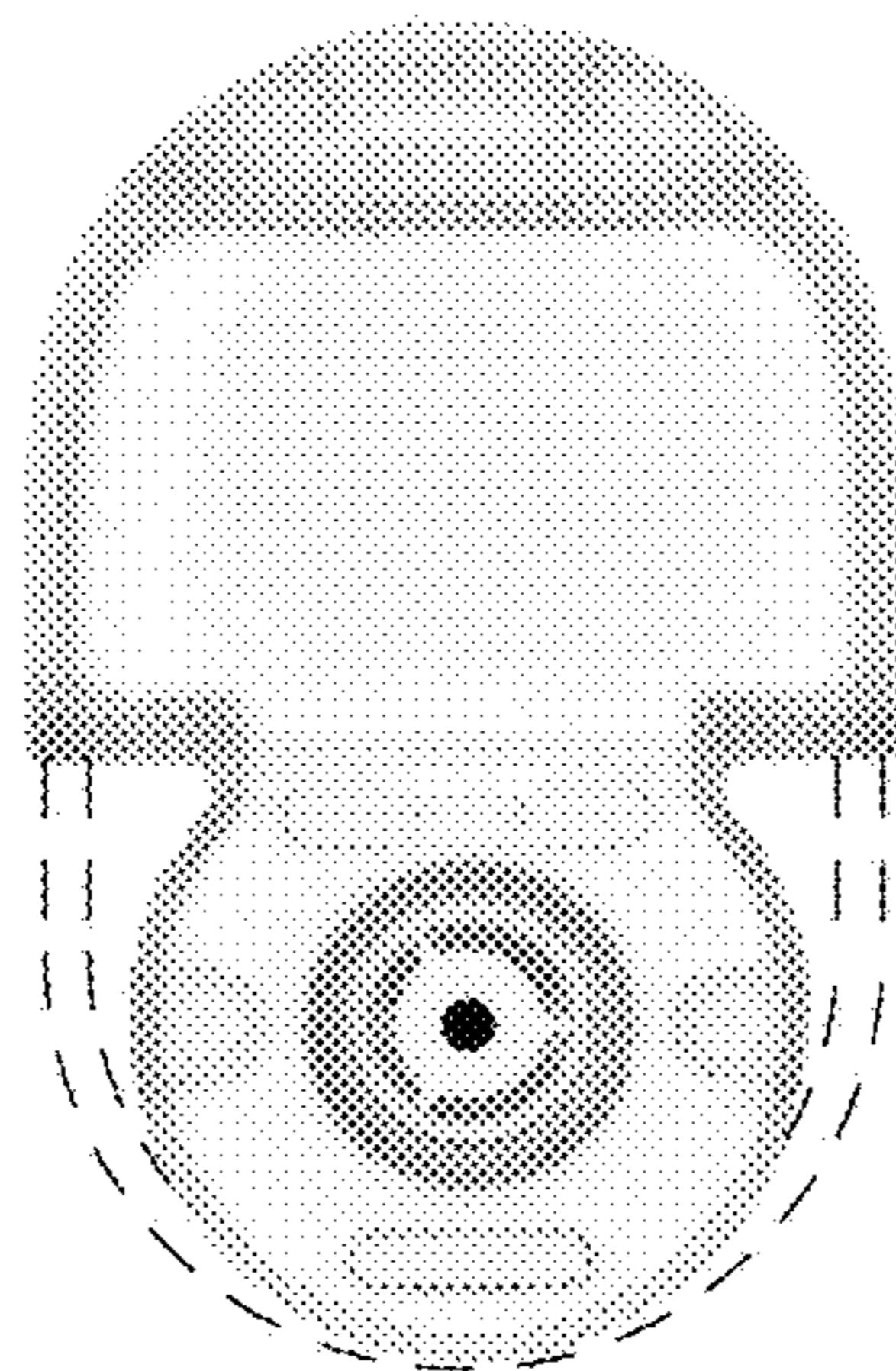


FIG. 14

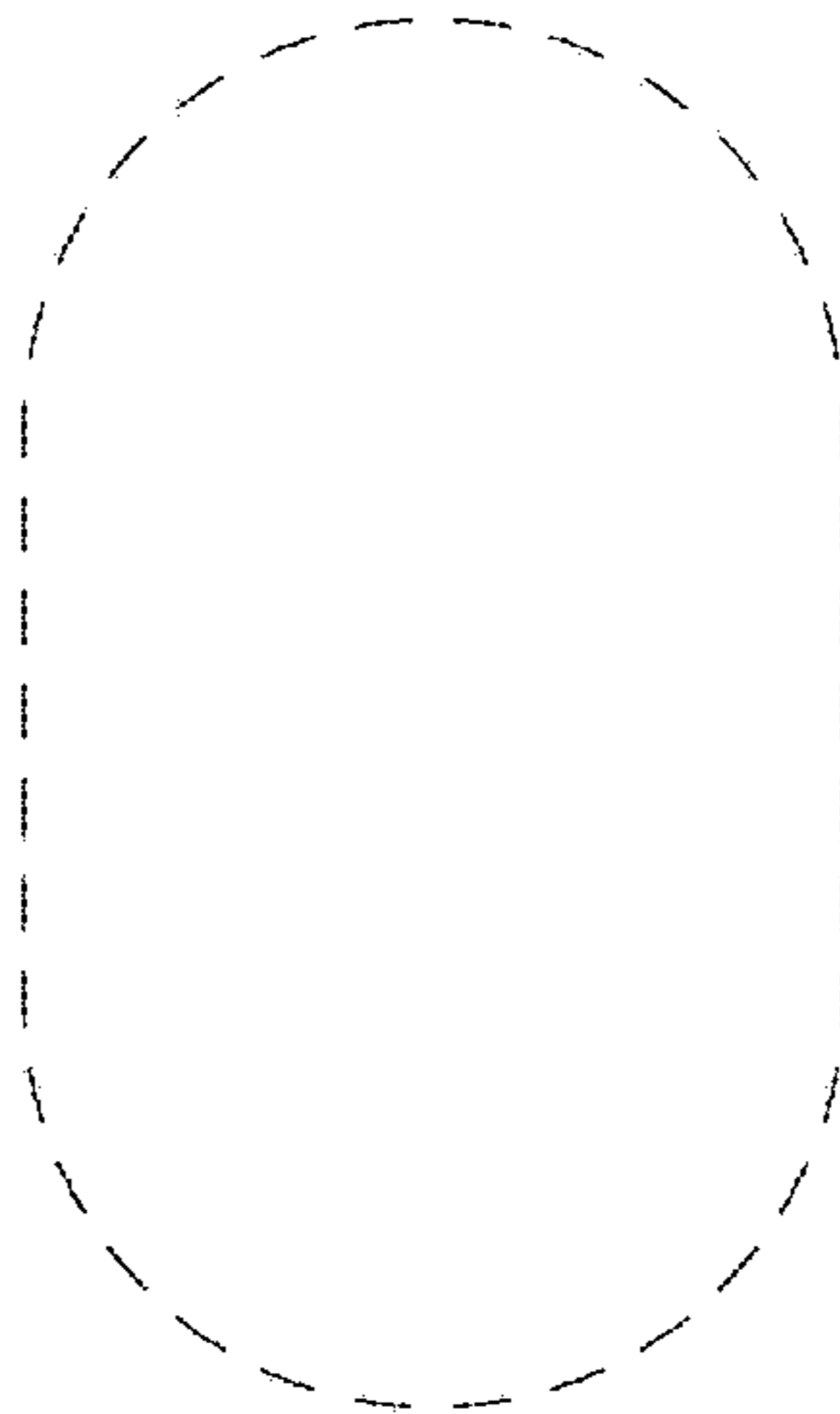


FIG. 15

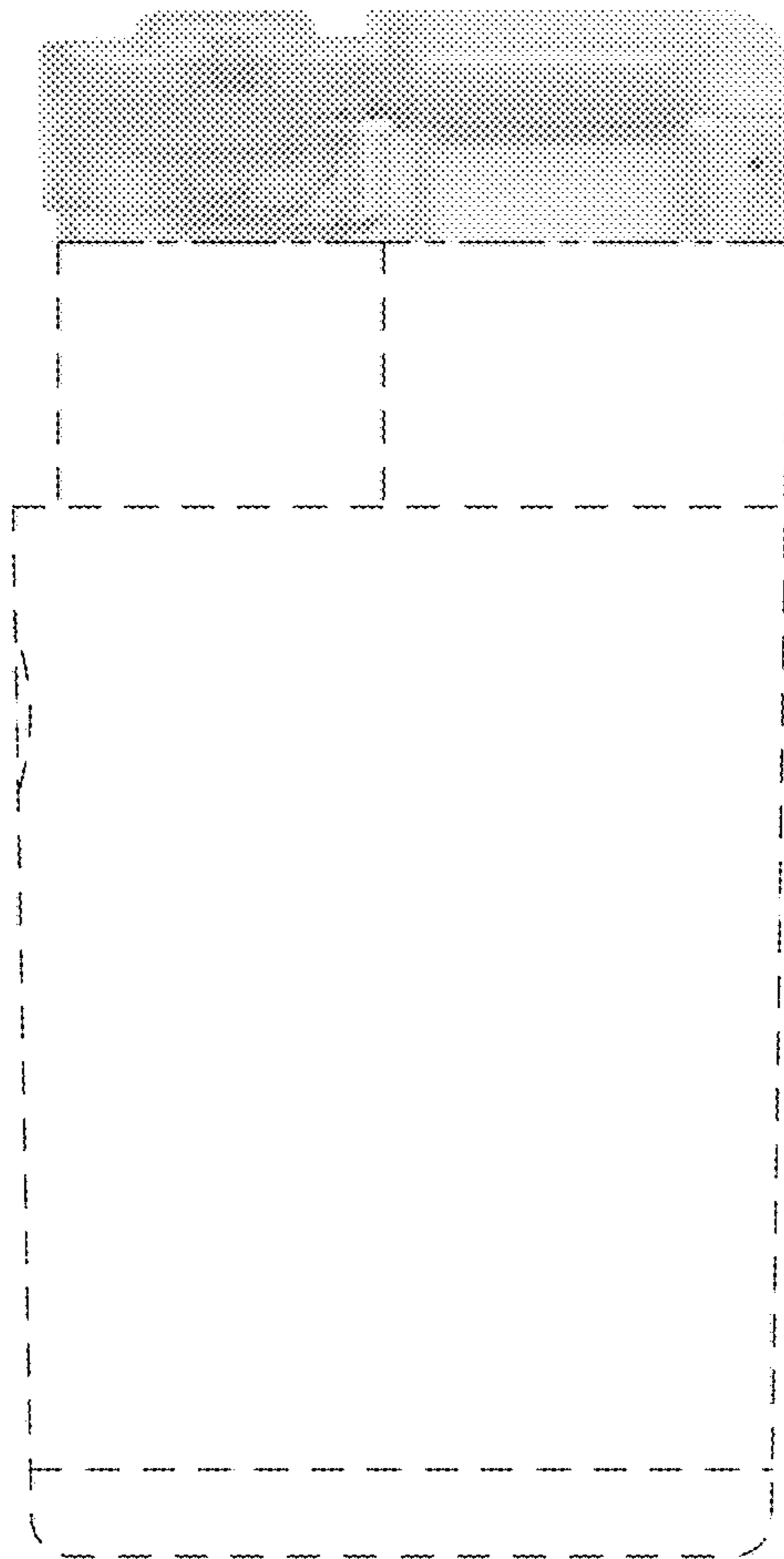


FIG. 16

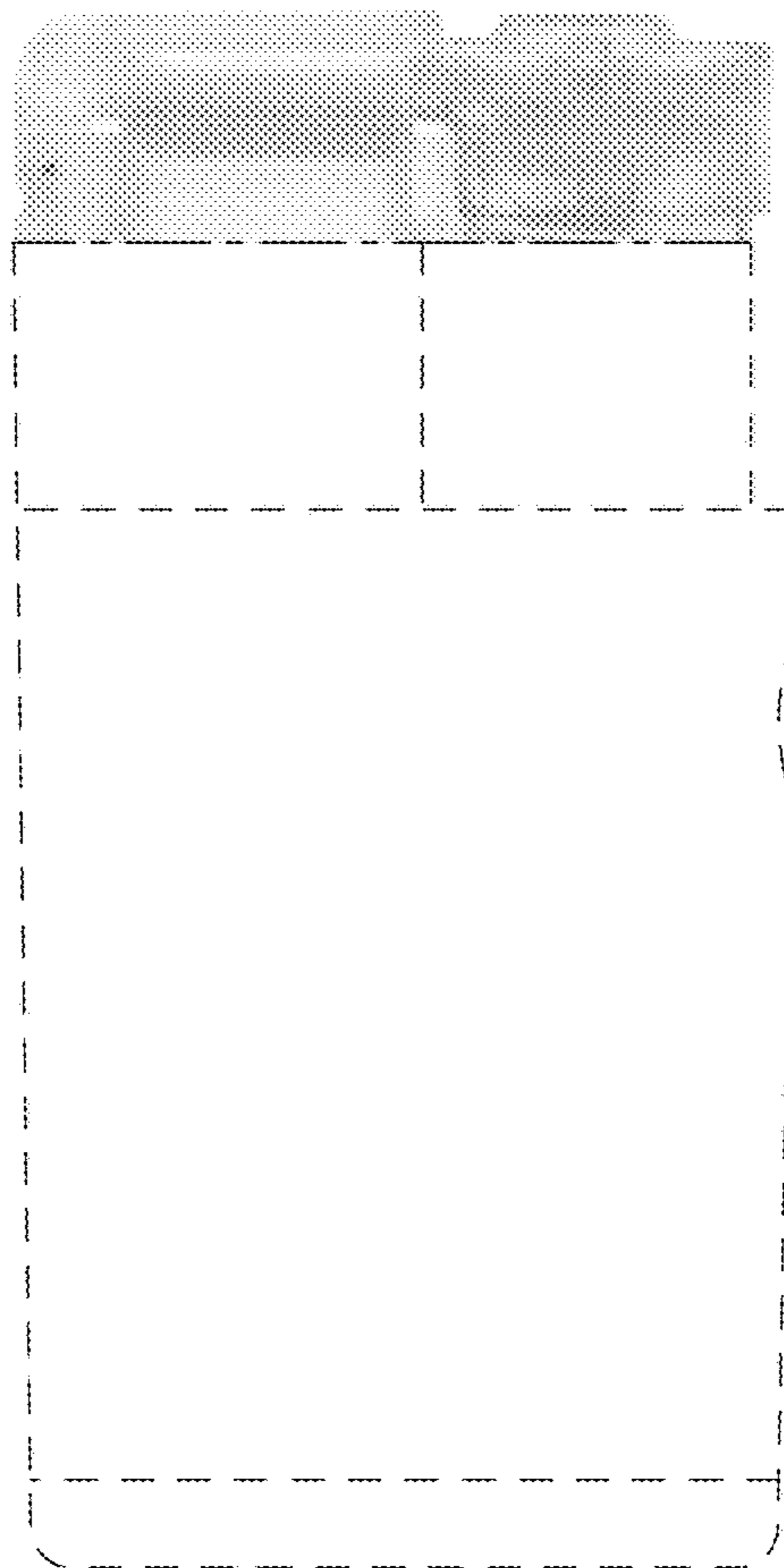


FIG. 17

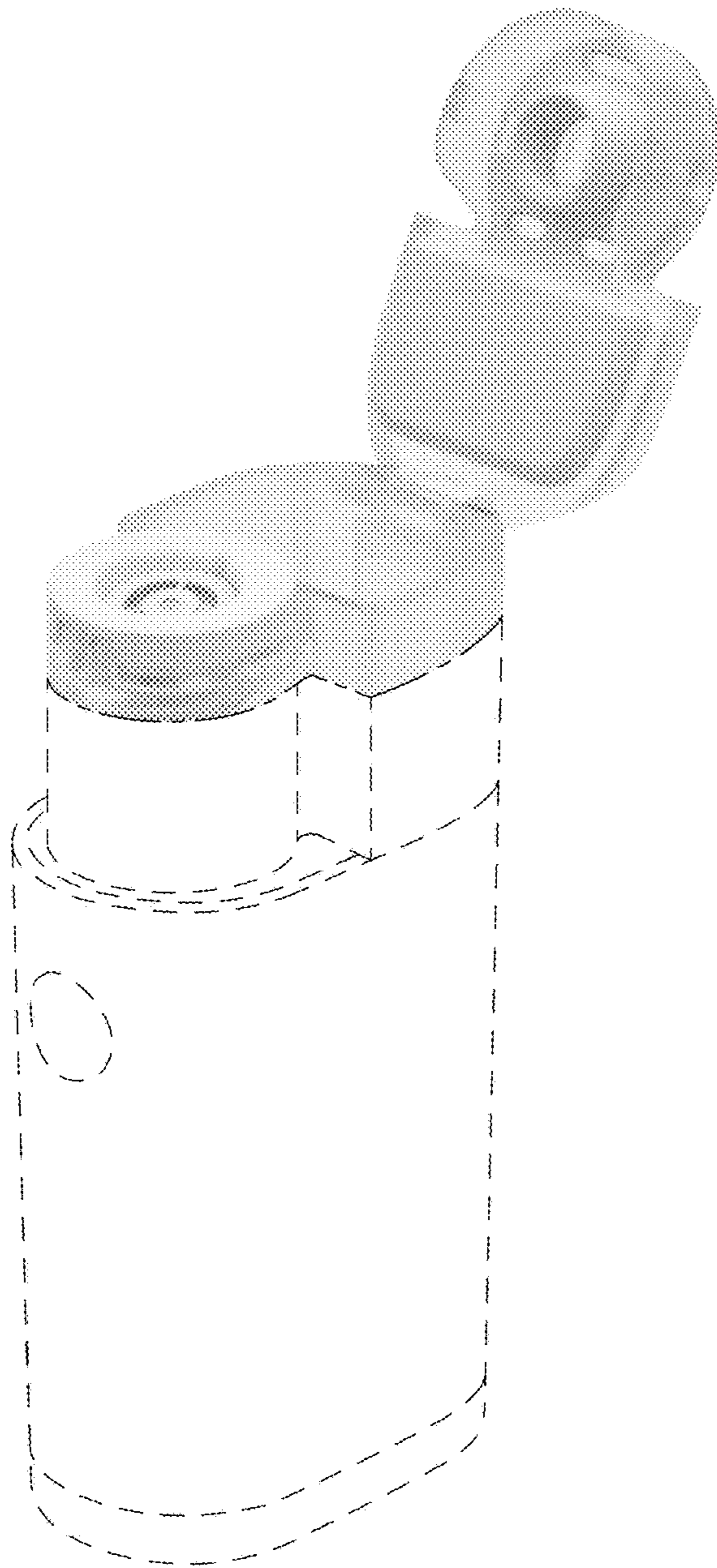


FIG. 18

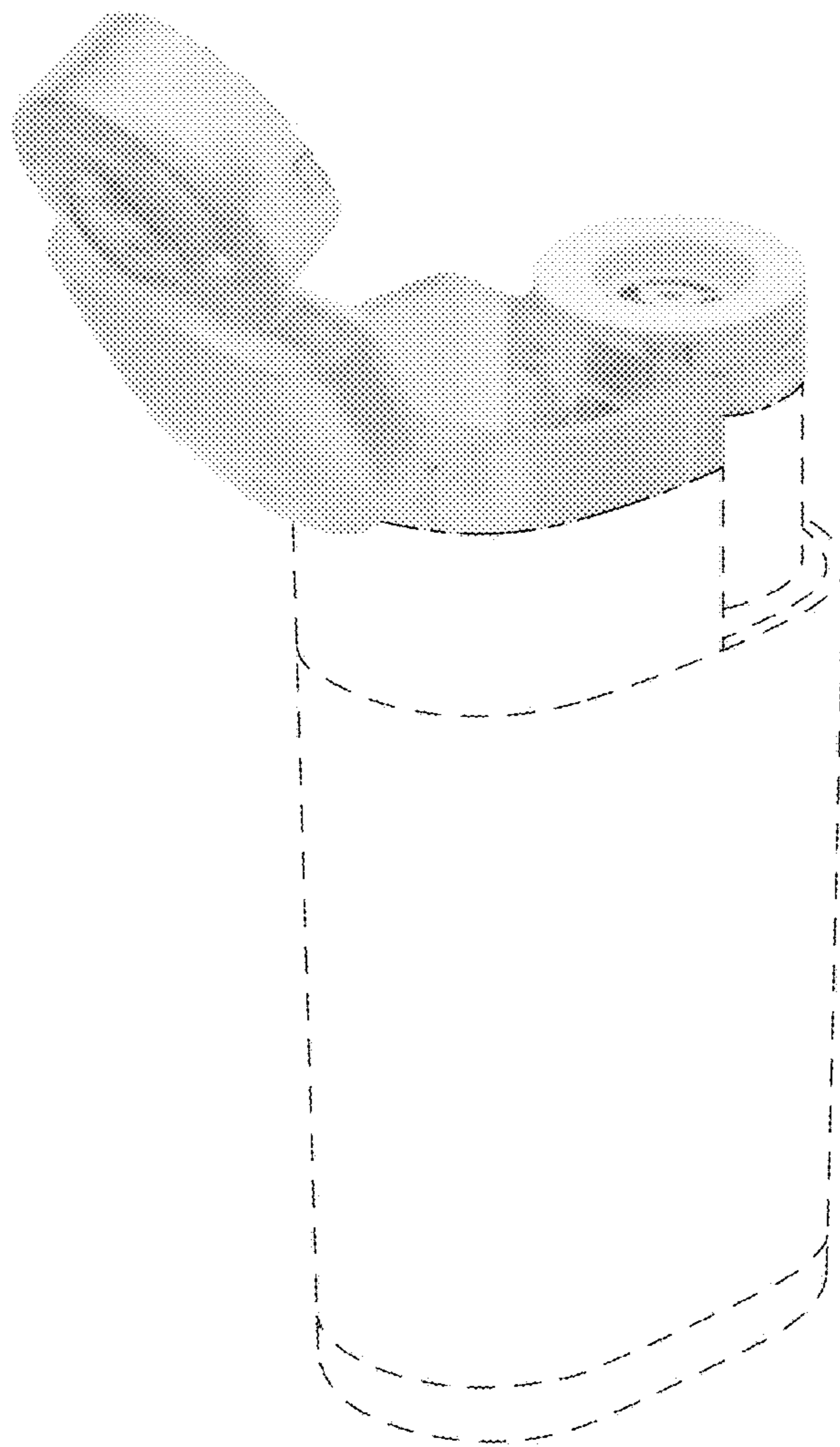


FIG. 19

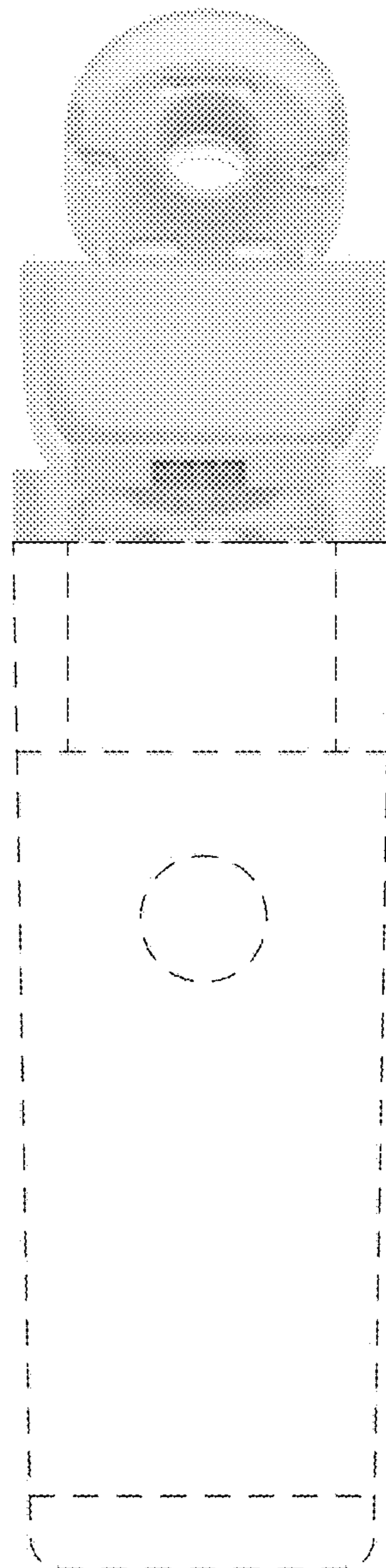


FIG. 20

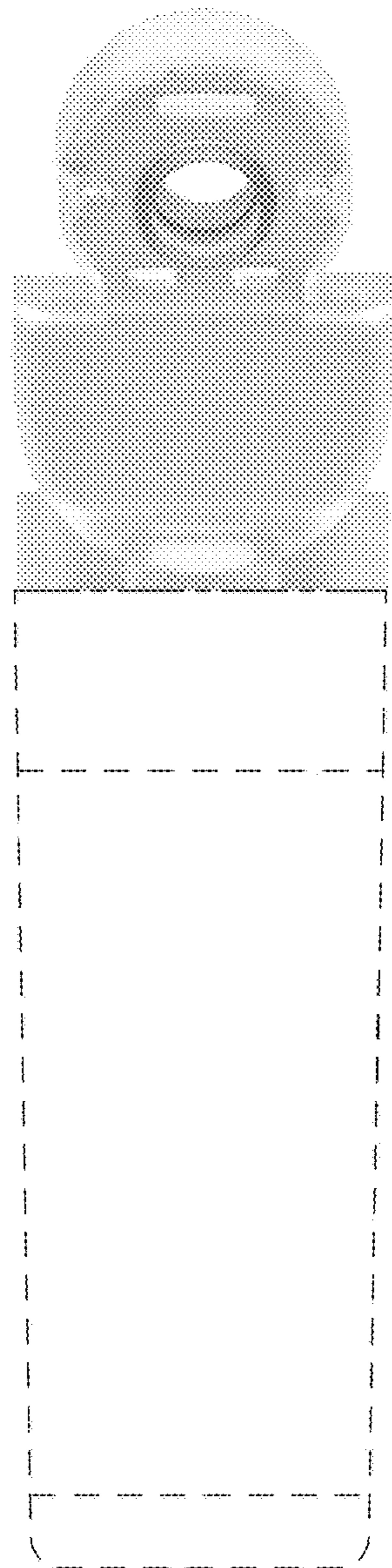


FIG. 21

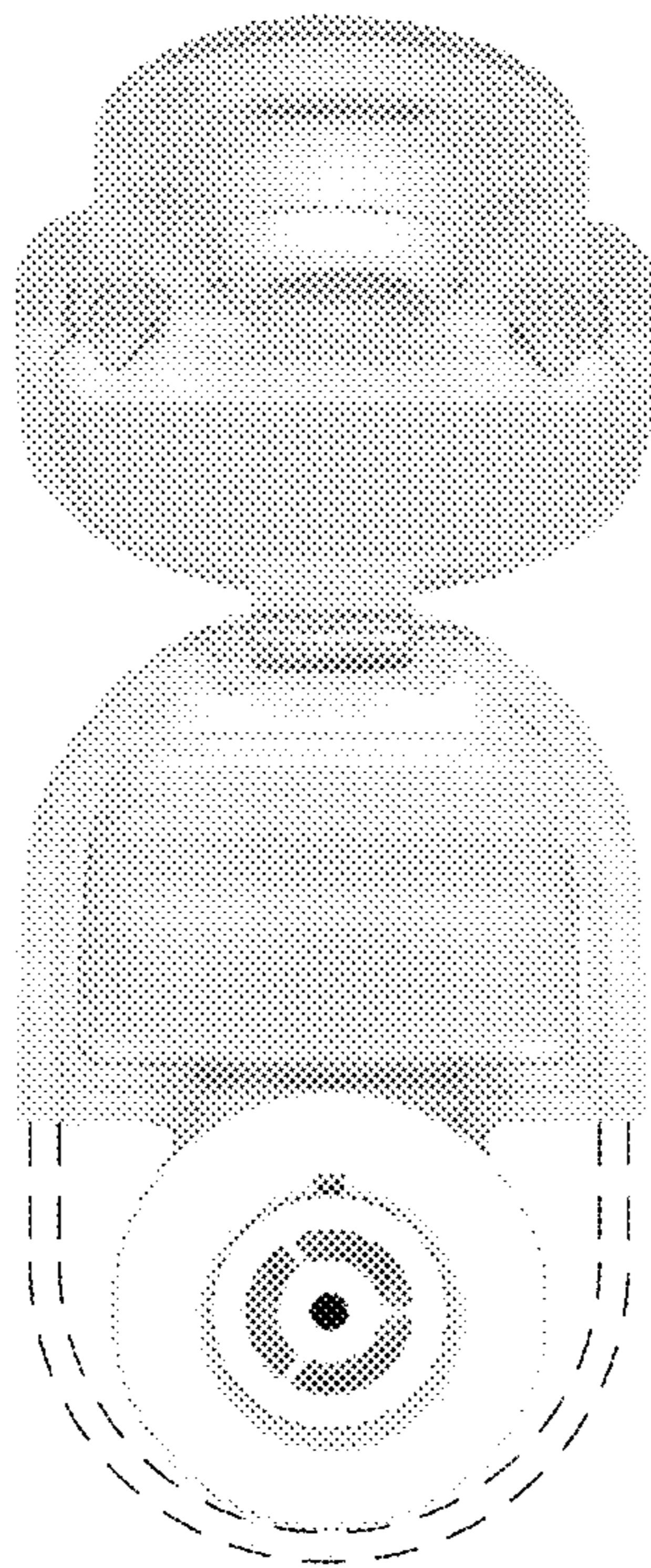


FIG.22

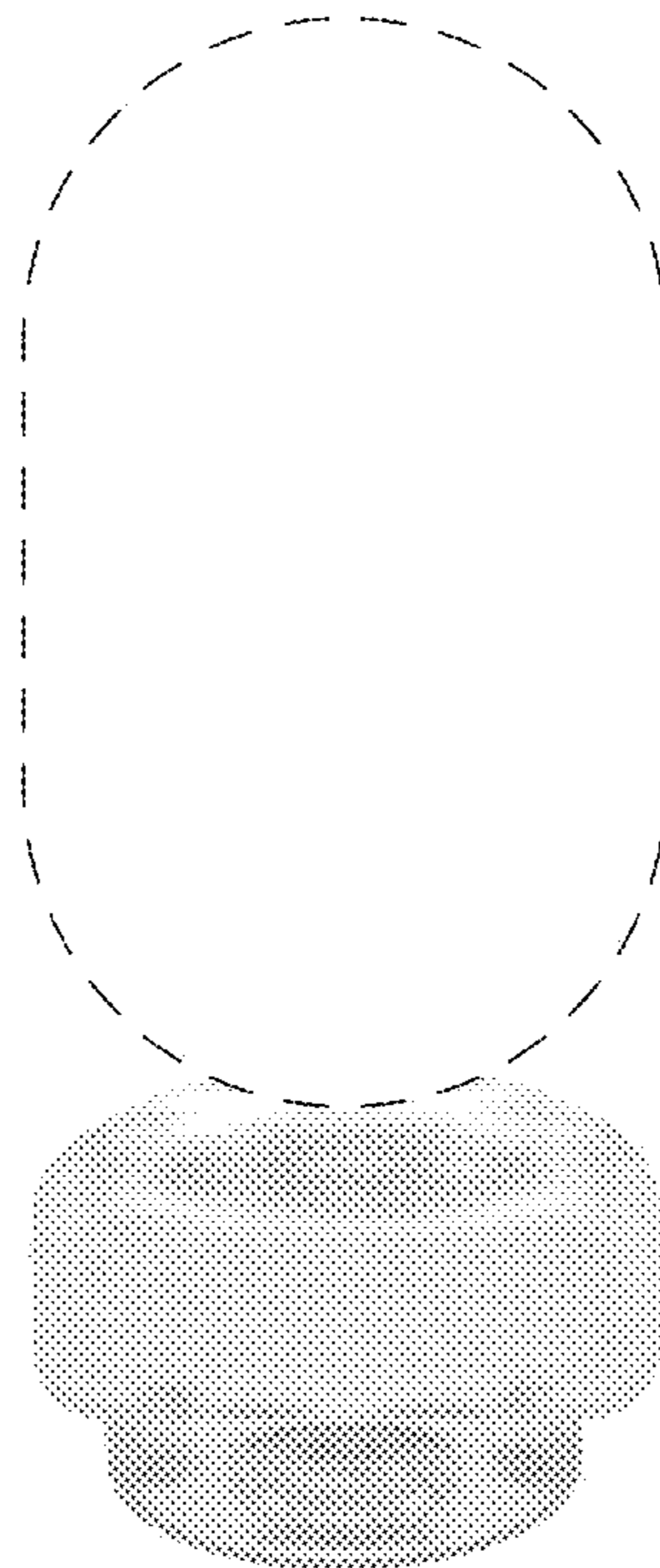


FIG. 23

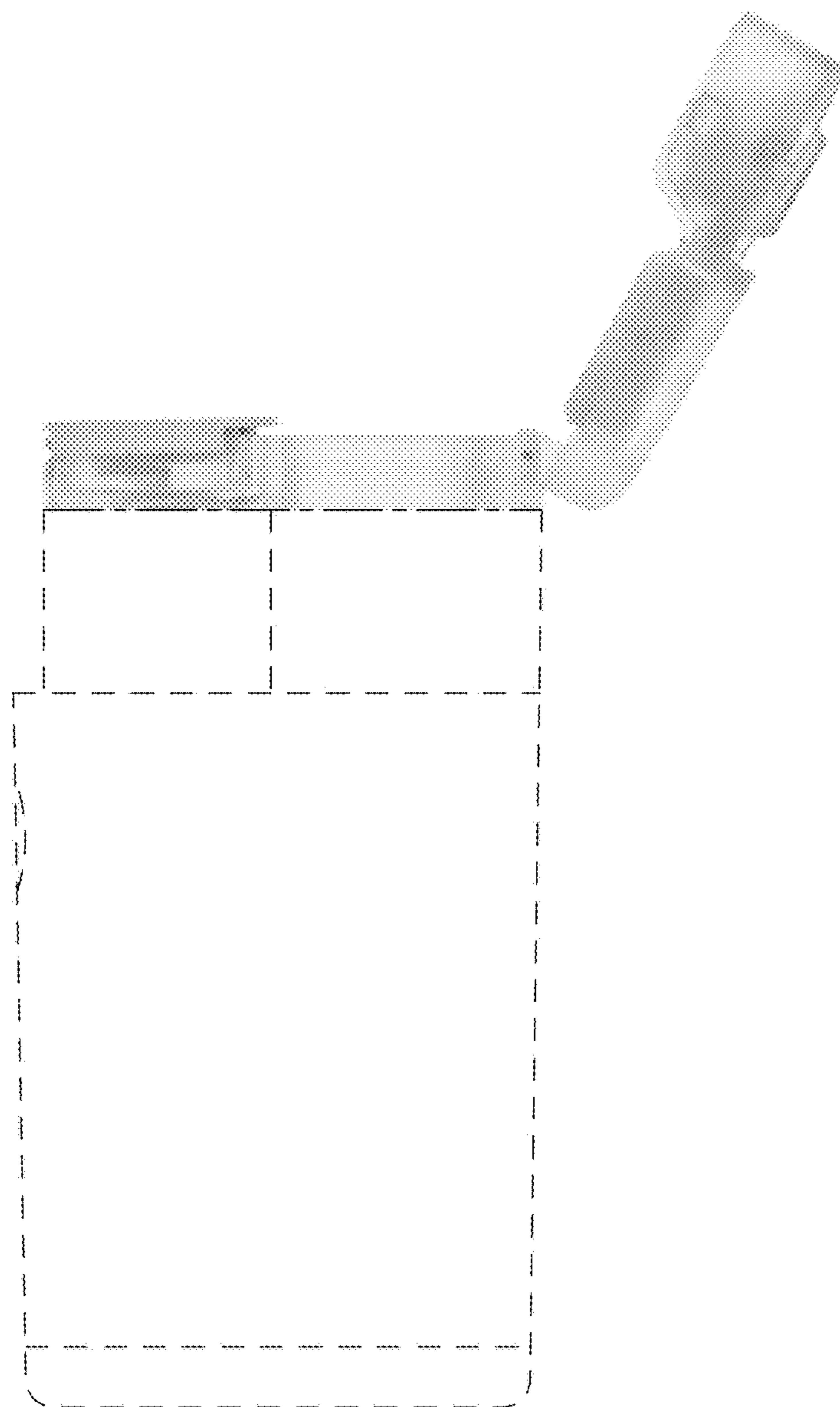


FIG.24

