



US00D848602S

(12) **United States Design Patent**  
**Yokoyama**

(10) **Patent No.:** **US D848,602 S**  
(45) **Date of Patent:** **\*\* May 14, 2019**

(54) **CONNECTOR FOR OXYGEN MASK**

(71) Applicant: **Brilliant Group Headquarters Co., Ltd.**, Tokyo (JP)

(72) Inventor: **Mitsuhiro Yokoyama**, Nagano (JP)

(73) Assignee: **Brilliant Group Headquarters Co., Ltd.**, Tokyo (JP)

(\*\*) Term: **15 Years**

(21) Appl. No.: **29/639,528**

(22) Filed: **Mar. 7, 2018**

(30) **Foreign Application Priority Data**

Sep. 22, 2017 (JP) ..... 2017-020712

(51) **LOC (11) Cl.** ..... **29-02**

(52) **U.S. Cl.**  
USPC ..... **D24/108; D24/129**

(58) **Field of Classification Search**  
USPC ... **D24/110, 110.4, 110.5, 110.6, 129, 110.1, D24/108**

CPC ..... **A61M 16/06; A61M 16/0816; A61M 16/0683; A61M 16/0825; A61M 16/0622; A61M 16/0633; A61M 16/0833; A61M 16/0616; A61M 16/08; A61M 2202/0208; A61M 16/0875; A61M 16/208**

See application file for complete search history.

(56) **References Cited**

**U.S. PATENT DOCUMENTS**

- 3,977,432 A \* 8/1976 Vidal ..... A61M 16/06 137/889
- 4,328,797 A \* 5/1982 Rollins, III ..... A61M 16/06 128/202.15
- 5,586,551 A \* 12/1996 Hilliard ..... A61M 11/06 128/200.14

- D631,538 S \* 1/2011 Edwards ..... D24/110.5
- D703,558 S \* 4/2014 Matusik ..... D10/96
- D703,560 S \* 4/2014 Matusik ..... D10/96
- D703,561 S \* 4/2014 Matusik ..... D10/96
- D712,766 S \* 9/2014 Matusik ..... D10/96
- D712,767 S \* 9/2014 Matusik ..... D10/96
- D713,276 S \* 9/2014 Matusik ..... D10/96
- D728,784 S \* 5/2015 Rogers ..... D24/129
- D733,293 S \* 6/2015 Rogers ..... D24/129
- D818,580 S \* 5/2018 Khabiri ..... D24/128
- D825,737 S \* 8/2018 Yokoyama ..... D24/108
- 2009/0260628 A1 \* 10/2009 Flynn, Sr. .... A61M 16/0078 128/203.28
- 2010/0116271 A1 \* 5/2010 Horsford ..... A61M 11/02 128/202.27
- 2013/0060157 A1 \* 3/2013 Beard ..... A61M 16/06 600/532
- 2014/0128676 A1 \* 5/2014 Law ..... A61B 1/00 600/114

(Continued)

*Primary Examiner* — Lilyana Bekic

(74) *Attorney, Agent, or Firm* — Frost Brown Todd LLC

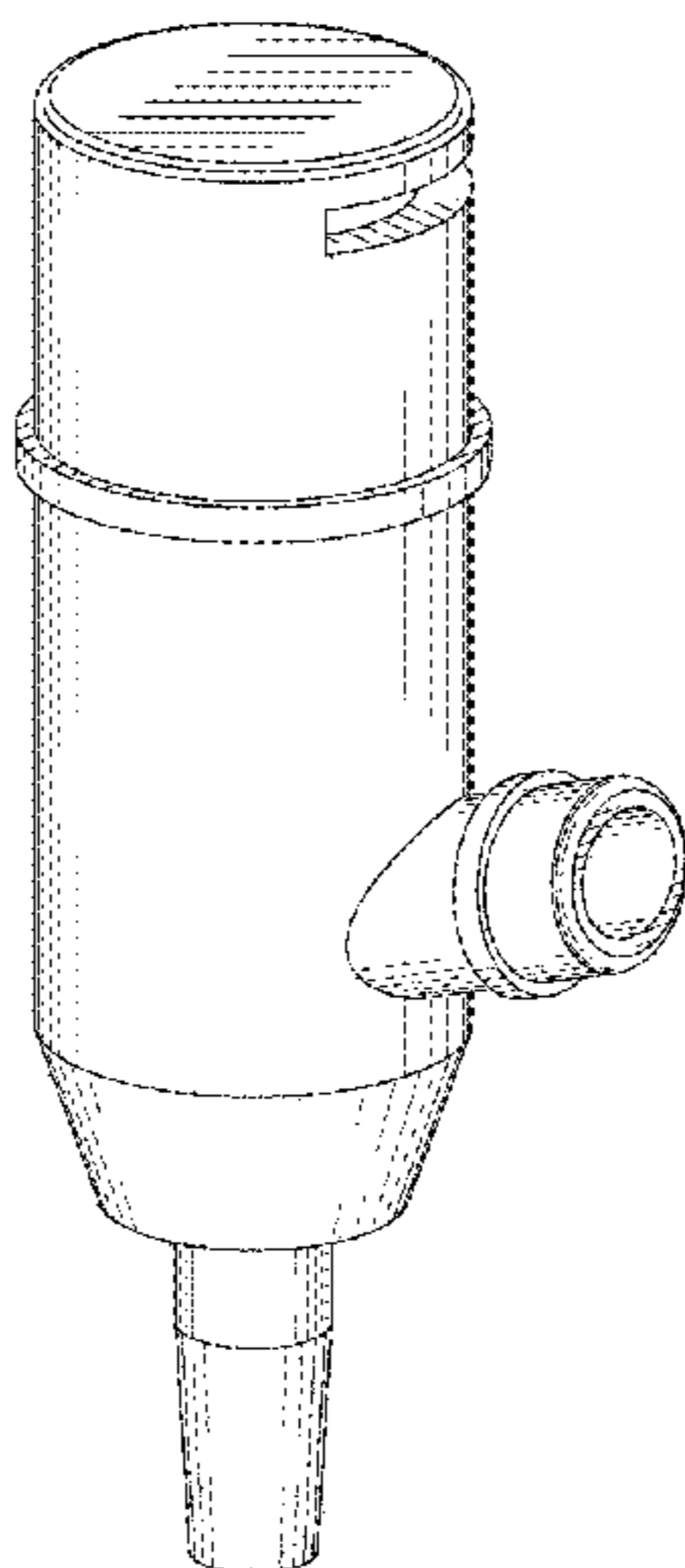
(57) **CLAIM**

The ornamental design for a connector for oxygen mask, as shown and described.

**DESCRIPTION**

FIG. 1 is a perspective view of a connector for oxygen mask, showing my new design;  
 FIG. 2 is a front view thereof;  
 FIG. 3 is a top view thereof;  
 FIG. 4 is a bottom view thereof;  
 FIG. 5 is a left side view thereof, the right side view being a mirror image of the left side view;  
 FIG. 6 is a rear view thereof;  
 FIG. 7 is a cross-sectional view taken along line 7-7 of FIG. 2; and,  
 FIG. 8 is an enlarged cross-sectional end view taken along line 8-8 of FIG. 5.

**1 Claim, 8 Drawing Sheets**



(56)

**References Cited**

U.S. PATENT DOCUMENTS

2015/0040895 A1\* 2/2015 Niland ..... A61M 16/10  
128/202.16  
2015/0196723 A1\* 7/2015 Matusik ..... A61M 16/06  
128/205.23  
2015/0335843 A1\* 11/2015 Matsubara ..... A61M 16/06  
128/205.25  
2015/0335844 A1\* 11/2015 Matsubara ..... A61M 16/06  
128/203.29  
2015/0335847 A1\* 11/2015 Matsubara ..... A61M 16/06  
128/205.25  
2016/0067438 A1\* 3/2016 Rollins, III ..... A61M 16/0605  
128/203.29  
2018/0188094 A1\* 7/2018 Matusik ..... A61M 16/0003

\* cited by examiner

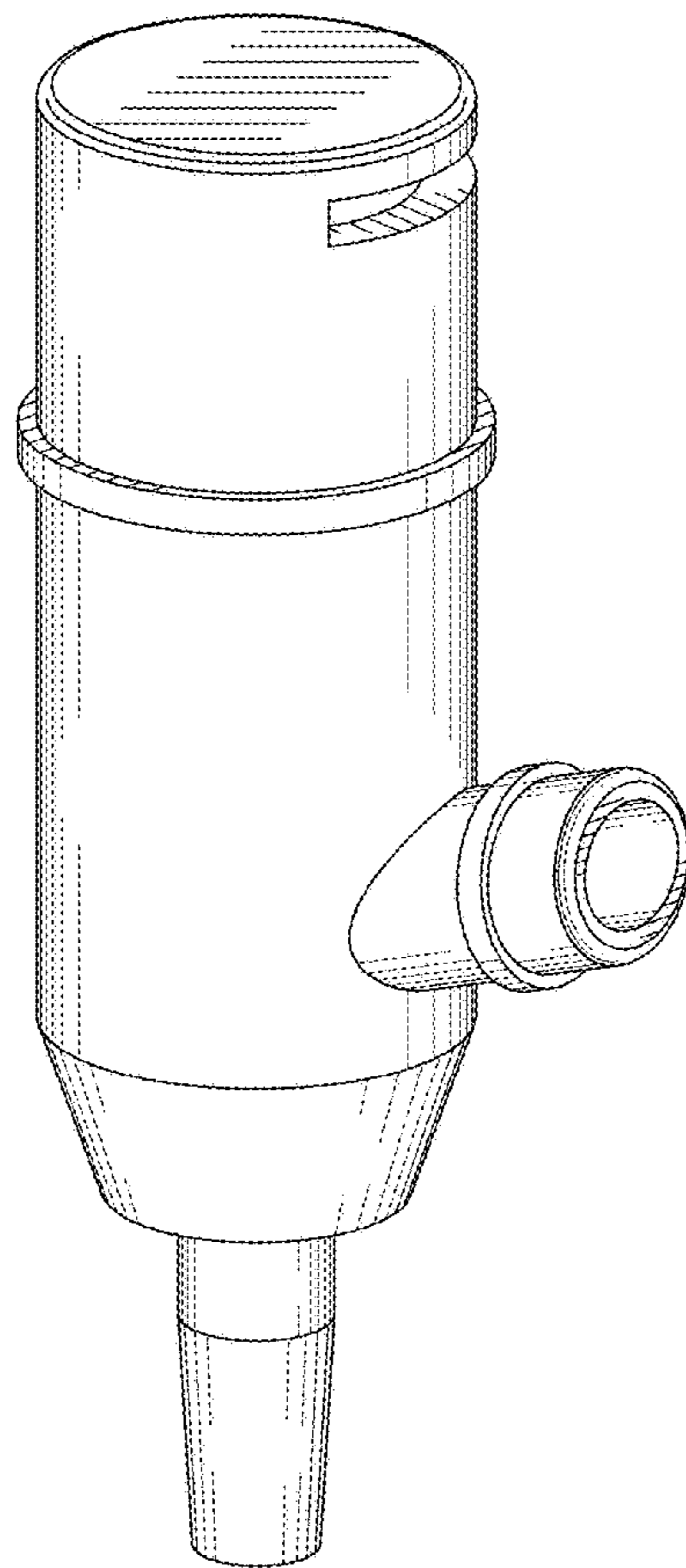


Fig. 1

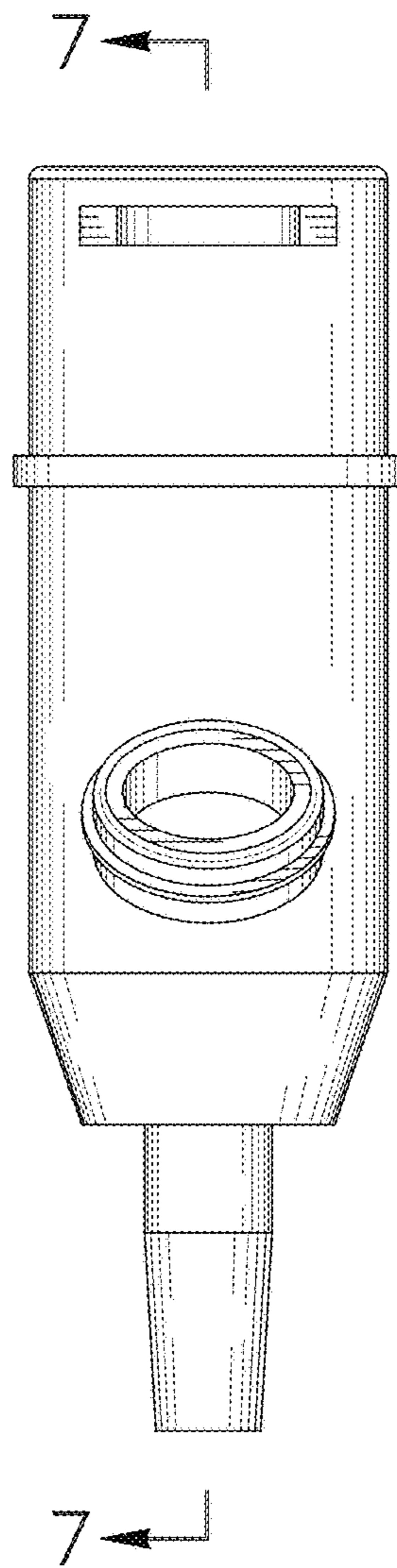


Fig.2

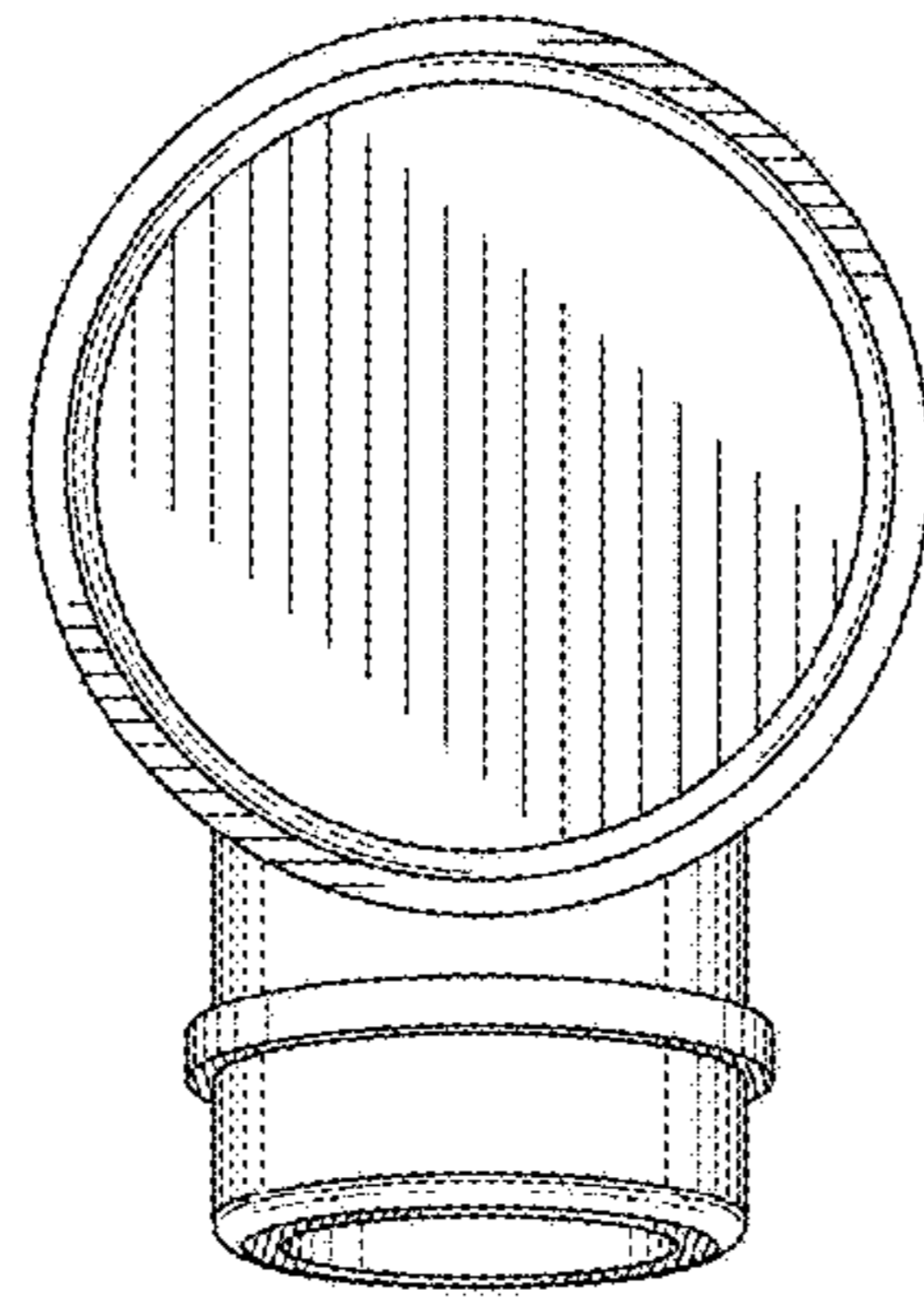


Fig.3

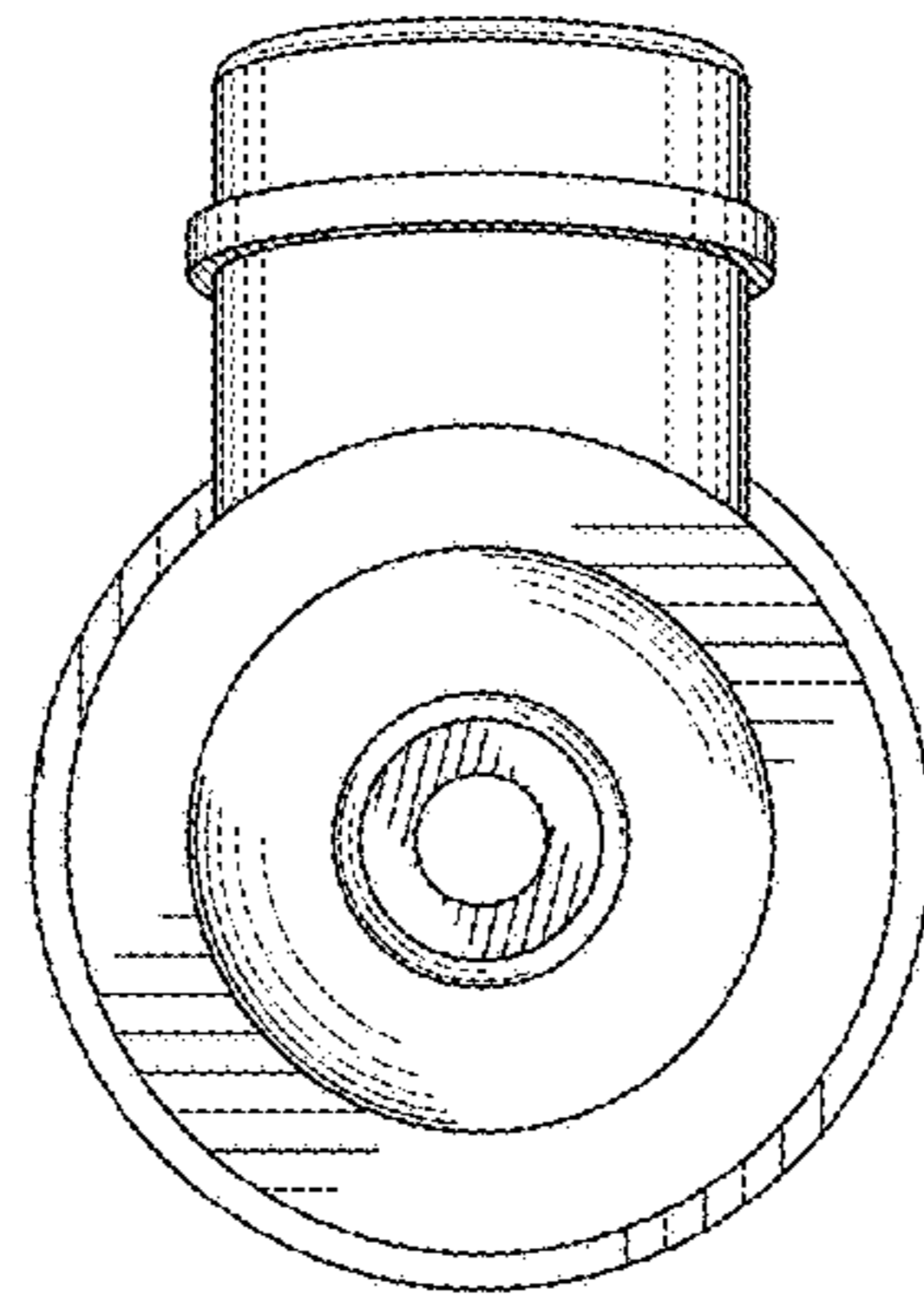


Fig.4

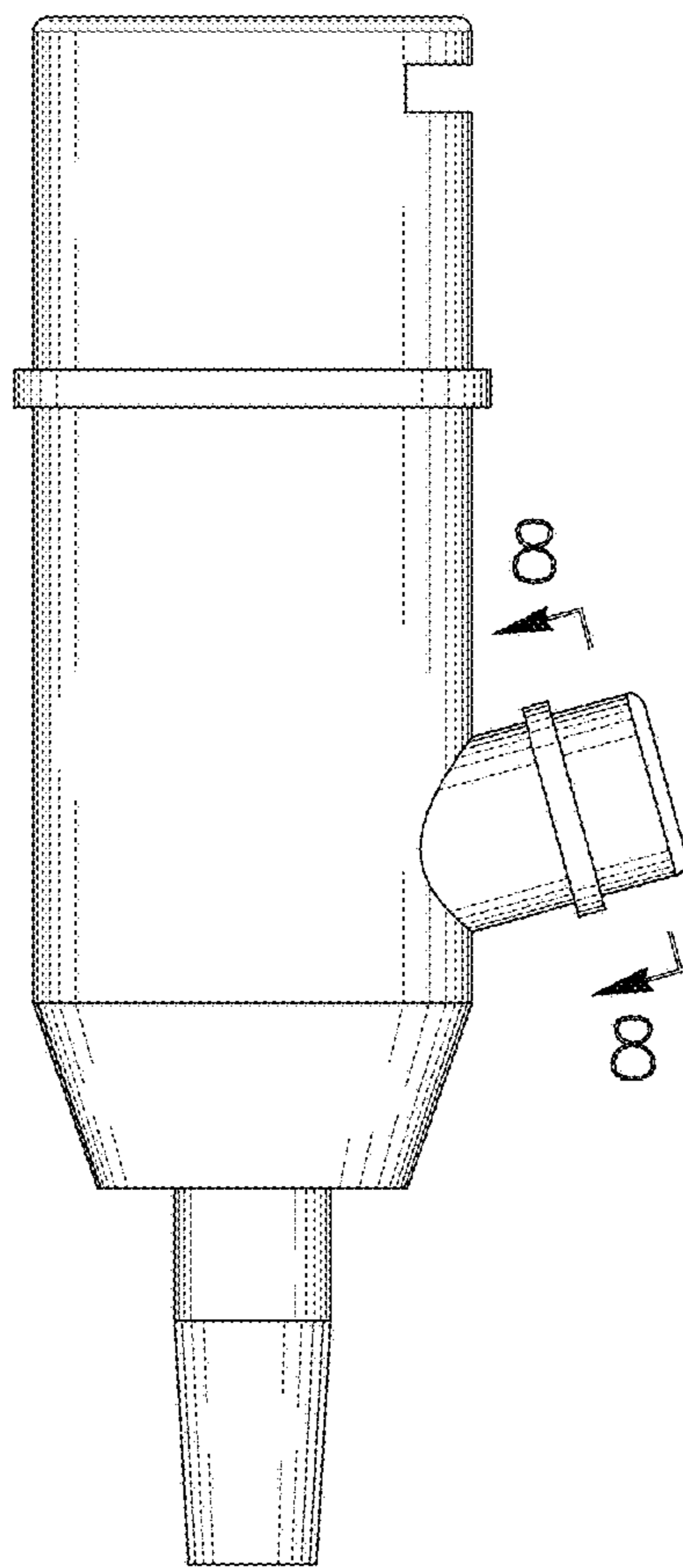


Fig.5

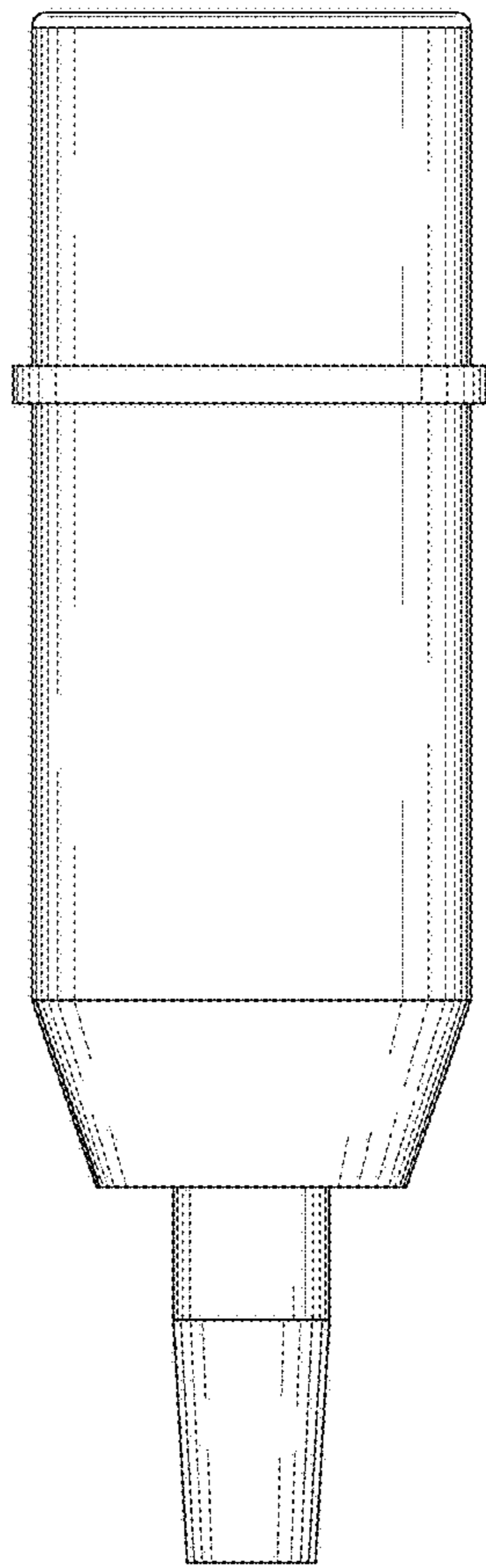


Fig.6



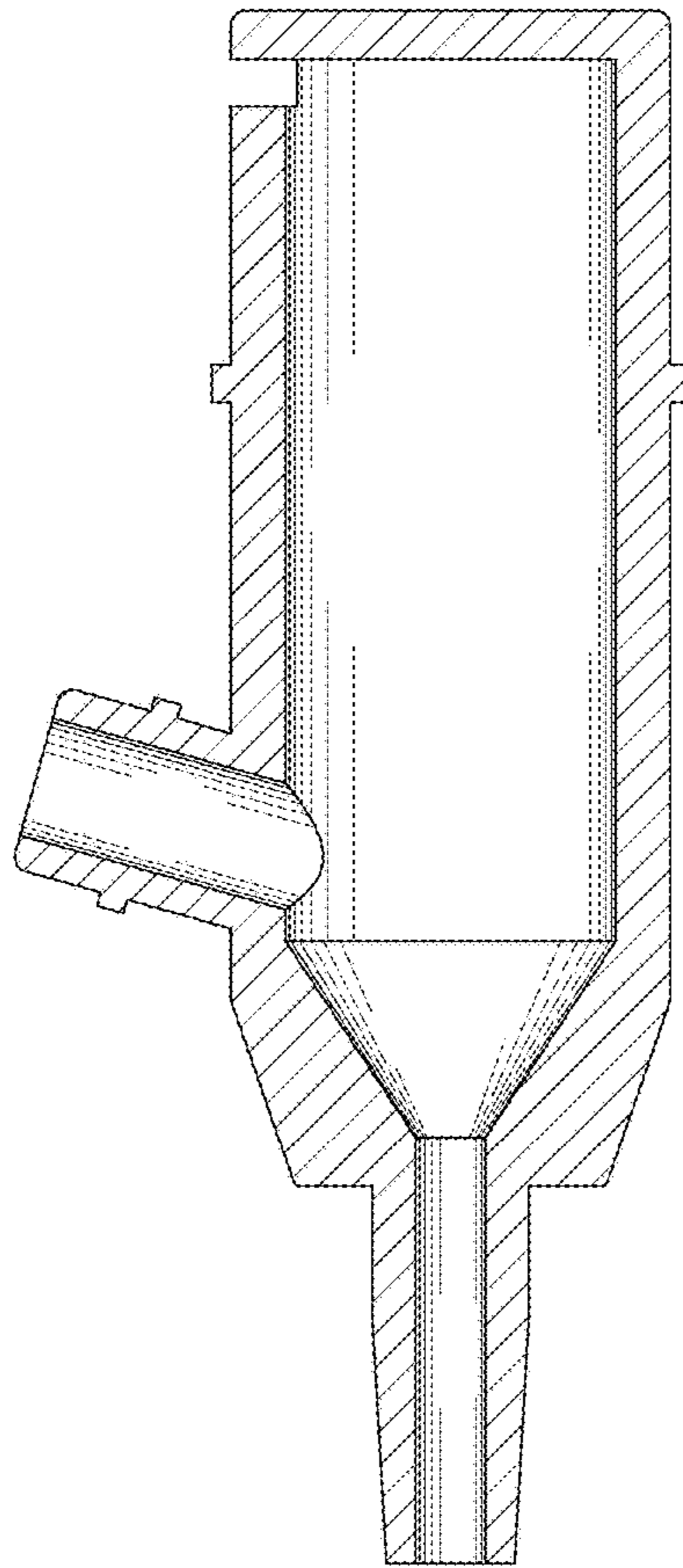


Fig.7

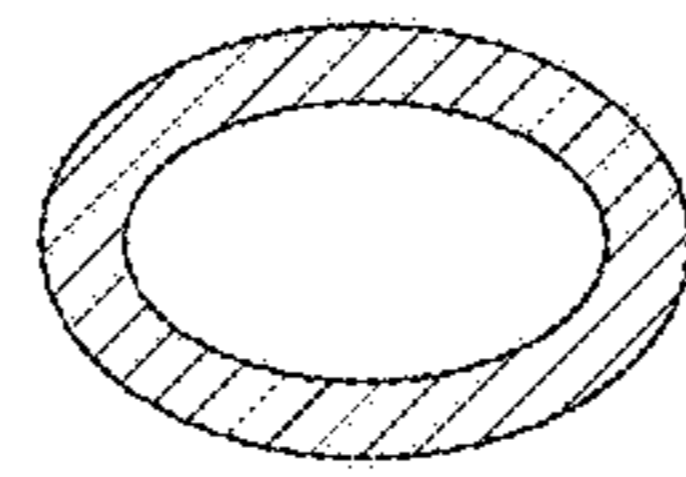


Fig.8