



(12) **United States Design Patent**
Gajewski

(10) **Patent No.:** **US D848,601 S**
(45) **Date of Patent:** **** May 14, 2019**

(54) **CEILING FAN HOUSING**

- (71) Applicant: **Minka Lighting, Inc.**, Corona, CA (US)
- (72) Inventor: **Mark Gajewski**, Henderson, NV (US)
- (73) Assignee: **Minka Lighting, Inc.**, Corona, CA (US)
- (**) Term: **15 Years**
- (21) Appl. No.: **29/634,502**
- (22) Filed: **Jan. 22, 2018**

Related U.S. Application Data

- (63) Continuation of application No. 29/586,735, filed on Dec. 6, 2016, now Pat. No. Des. 808,510, which is a continuation-in-part of application No. 29/552,006, filed on Jan. 19, 2016, now abandoned.
- (51) **LOC (11) Cl.** **23-03**
- (52) **U.S. Cl.**
USPC **D23/411**; D26/59
- (58) **Field of Classification Search**
USPC D23/370–385, 411–414; D26/59
CPC F04D 25/088; F21V 33/0096
See application file for complete search history.

(56) **References Cited**

U.S. PATENT DOCUMENTS

D384,409 S	9/1997	Jane et al.
D433,117 S	10/2000	Wolfe
D461,236 S	8/2002	Chura et al.
D476,411 S	6/2003	Friedes
D478,975 S	8/2003	Gajewski
D484,587 S	12/2003	Bucher
D485,608 S	1/2004	Chen
D489,443 S	5/2004	Gajewski
D490,146 S	5/2004	Gajewski
6,832,902 B2	12/2004	Gajewski
D506,821 S	6/2005	Chen

(Continued)

OTHER PUBLICATIONS

“Minka Aire Vintage Gyro Ceiling Fan,” [online]. [Retrieved Nov. 7, 2016]. [web.archive.org/webr*/http://www.minkagroup.netproducts/f802-orb](http://www.minkagroup.netproducts/f802-orb). Published Aug. 30, 2014.
(Continued)

Primary Examiner — Cathron C Brooks
Assistant Examiner — Sharon S Oum
(74) *Attorney, Agent, or Firm* — Joseph R. Lanser; Seyfarth Shaw LLP

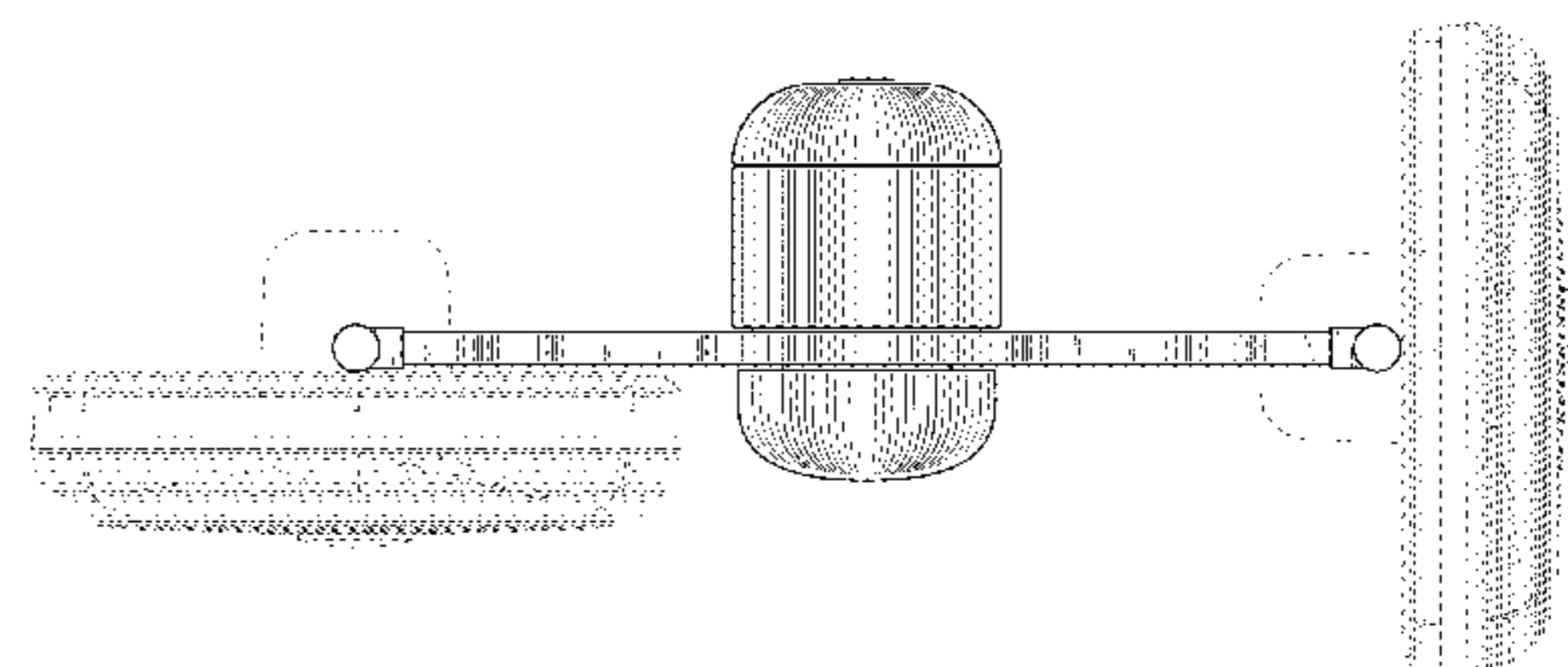
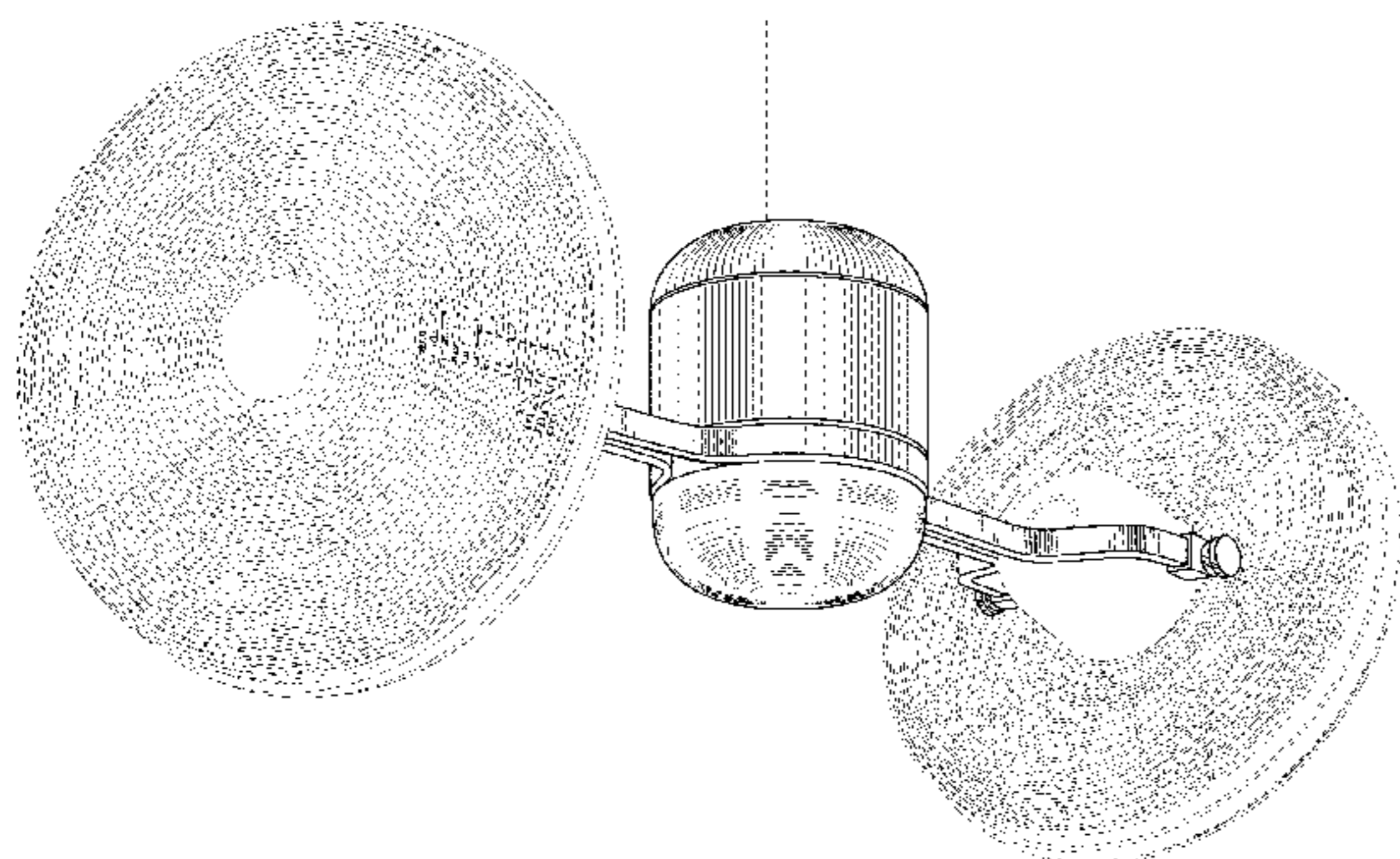
(57) **CLAIM**

The ornamental design for a ceiling fan housing, as shown and described.

DESCRIPTION

FIG. 1 is a perspective view of a ceiling fan housing in accordance with my design;
FIG. 2 is a perspective view of the ceiling fan housing in accordance with my design, wherein an unclaimed portion is not shown to provide a better view of the design;
FIG. 3 is a side elevation view of the ceiling fan housing in accordance with my design, the opposite side being a mirror image of that shown;
FIG. 4 is a top plan view of the ceiling fan housing in accordance with my design;
FIG. 5 is a bottom plan view of the ceiling fan housing in accordance with my design; and,
FIG. 6 is a front elevation view of the ceiling fan in accordance with my design, the opposite side being a mirror image of that shown.
The broken lines illustrate environmental structure and form no part of the claimed design.
The lighter and closely spaced lines in the drawings are surface shading and are not surface ornamentation.

1 Claim, 6 Drawing Sheets



(56)

References Cited

U.S. PATENT DOCUMENTS

D517,196 S	3/2006	Pickett	
D523,550 S	6/2006	Hidalgo	
D526,059 S	8/2006	Hidalgo	
D526,400 S	8/2006	Hidalgo	
D526,712 S	8/2006	Hidalgo	
D532,097 S	11/2006	Hidalgo	
D567,350 S	4/2008	Hidalgo	
D591,842 S	5/2009	Young	
D598,535 S	8/2009	Young	
D599,458 S	9/2009	Love	
D646,372 S	10/2011	Love	
D690,410 S	9/2013	Passauer, III	
D799,667 S *	10/2017	Wang	D23/377
D808,510 S *	1/2018	Gajewski	D23/377
2003/0231962 A1	12/2003	Gajewski	

OTHER PUBLICATIONS

- “Minka Aire Gyro Ceiling Fan,” [online]. [Retrieved Nov. 7, 2016]. [web.archive.org/web/*/http://www.lampsplus.com/products/42-inch-minka-aire-gyro-ceiling-fan_70451.html](http://www.lampsplus.com/products/42-inch-minka-aire-gyro-ceiling-fan_70451.html). Published Dec. 26, 2008.
- “Minka Aire Gyro Outdoor Ceiling Fan,” [online]. [Retrieved Nov. 7, 2016]. [web.archive.org/web/20120101000000*/https://www.wayfair.com/Minka-Aire-Twin-Gyro-6-Biade-Outdoor-Turbofan-F402-ORB-MKA1484.html](http://www.wayfair.com/Minka-Aire-Twin-Gyro-6-Biade-Outdoor-Turbofan-F402-ORB-MKA1484.html). Published Jun. 3, 2012.
- “Minka Aire Gyro Traditional Ceiling Fan,” [online]. [Retrieved Nov. 7, 2016]. [web.archive.org/web/20140101000000*/http://www.minkagroup.net/products/f502-bcw](http://www.minkagroup.net/products/f502-bcw). Published Aug. 30, 2014.
- “Savoy House Skyy Wall Fan {Wall Mounted Fan} Model,” [online]. [Retrieved Nov. 7, 2016]. [web.archive.org/web/20140101000000*/http://www.savoyhouse.com/Skyy-Waii-Fan.html](http://www.savoyhouse.com/Skyy-Waii-Fan.html). Published Sep. 15, 2014.
- “Matthews Fan Co. Atlas Acqua Rotational Metal Ceiling Fan,” [online]. [Retrieved Nov. 7, 2016]. [web.archive.org/web/*/http://www.hansenwholesale.com/ceilingfans/matthewsfanco/model.asp?ProdNo=MG-AQ-BN-M](http://www.hansenwholesale.com/ceilingfans/matthewsfanco/model.asp?ProdNo=MG-AQ-BN-M). Published Sep. 20, 2012.
- “Savoy House Circulaire Ceiling Fan,” [online]. [Retrieved Nov. 7, 2016]. [web.archive.org/web/*/http://www.lumens.com/circulaire-ceiling-fan-by-savoy-house-uu564956.html](http://www.lumens.com/circulaire-ceiling-fan-by-savoy-house-uu564956.html). Published Dec. 22, 2014.
- “Savoy House Sleep Floor Fan {Pedestal Fan} Model,” [online]. [Retrieved Nov. 7, 2016]. [web.archive.org/web/*/https://www.bedbathandbeyond.com/store/products/savoy-house-19-inch-3-speed-floor-pedestal-sleep-fan/3258382](https://www.bedbathandbeyond.com/store/products/savoy-house-19-inch-3-speed-floor-pedestal-sleep-fan/3258382). Published Nov. 23, 2014.
- “Savoy House Sleep Fan Table {Table/Desk Fan} Model,” [online]. [Retrieved Nov. 7, 2016]. [web.archive.org/web/*/http://www.hansenwholesale.com/ceilingfans/savoyhouse/model.asp?ProdNo=SV-12-SF-13](http://www.hansenwholesale.com/ceilingfans/savoyhouse/model.asp?ProdNo=SV-12-SF-13). Published Oct. 8, 2015.
- “Craftmade Bellows III Ceiling Fan Model,” [online]. [Retrieved Nov. 7, 2016]. [web.archive.org/web/*/http://www.craftmade.com/Craftmade-BW321AG3-Bronze-Outdoor-Ceiling-Fan.HTM](http://www.craftmade.com/Craftmade-BW321AG3-Bronze-Outdoor-Ceiling-Fan.HTM). Published Dec. 25, 2015.
- “Craftmade Bellows II Ceiling Fan Model,” [online]. [Retrieved Nov. 7, 2016]. [web.archive.org/web/*/http://www.craftmade.com/Craftmade-BW248AG6-Bronze-Outdoor-Ceiling-Fan.HTM](http://www.craftmade.com/Craftmade-BW248AG6-Bronze-Outdoor-Ceiling-Fan.HTM). Published May 15, 2016.
- “Craftmade Bellows I {Wall Mounted Fan} Model,” [online]. [Retrieved Nov. 7, 2016]. [web.archive.org/web/*/http://www.hansenwholesale.com/ceilingfans/craftmade/model.asp?ProdNo=CF-BW116AG3](http://www.hansenwholesale.com/ceilingfans/craftmade/model.asp?ProdNo=CF-BW116AG3). Published Jul. 4, 2015.
- “Craftmade Bellows IV {Wall Mounted Fan} Model,” [online]. [Retrieved Nov. 7, 2016]. [web.archive.org/web/*/http://www.craftmade.com/Craftmade-Bellows-iv-v16.htm](http://www.craftmade.com/Craftmade-Bellows-iv-v16.htm). Published Mar. 24, 2016.
- “Matthews Fan Co. Atlas Melody Oscillating Wall Fan {Wall Mounted Fan} Model,” [online]. [Retrieved Nov. 7, 2016]. [web.archive.org/web/20150101000000*/http://www.hansenwholesale.com/ceilingfans/matthewsfanco/model.asp?ProdNo=MG-ME-CR](http://www.hansenwholesale.com/ceilingfans/matthewsfanco/model.asp?ProdNo=MG-ME-CR). Published Jun. 17, 2015.
- “Matthews Fan Co. Atlas Kaye {Wall Mounted Fan} Model,” [online]. [Retrieved Nov. 7, 2016]. [web.archive.org/Web/20130101000000*/http://www.hansenwholesale.com/ceilingfans/matthewsfanco/model.asp?ProdNo=MG-KC-CR](http://www.hansenwholesale.com/ceilingfans/matthewsfanco/model.asp?ProdNo=MG-KC-CR). Published Jul. 7, 2013.
- “Minka Aire Gyrette Ceiling Fan Model,” [online]. [Retrieved Nov. 7, 2016]. [web.archive.org/web/*/https://www.wayfair.com/Minka-Aire-36-Gyrette-8-Biade-Turbo-Ceiling-Fan-with-Waii-Controi-F302-XX-MKA2116.html](https://www.wayfair.com/Minka-Aire-36-Gyrette-8-Biade-Turbo-Ceiling-Fan-with-Waii-Controi-F302-XX-MKA2116.html). Published Feb. 24, 2013.
- “Fanimation The Extraordinaire Ceiling Fan Model,” [online]. [Retrieved Nov. 7, 2016]. [web.archive.org/web/*/http://www.ylighting.com/fanimation-extraordinaire-ceiling-fan.html](http://www.ylighting.com/fanimation-extraordinaire-ceiling-fan.html). Published May 18, 2011.
- “Matthews Fan Co. Vent-Bettina Metal Ceiling Fan Model,” [online]. [Retrieved Nov. 7, 2016]. [web.archive.org/web/*/http://www.hansenwholesale.com/ceilingfans/matthewsfanco/model.asp?ProdNo=VB-CR-MTL](http://www.hansenwholesale.com/ceilingfans/matthewsfanco/model.asp?ProdNo=VB-CR-MTL). Published Sep. 3, 2012.
- “Minka Aire 10" Retro Turbofan {Table/Desk Fan} Model,” [online]. [Retrieved Nov. 7, 2016]. [web.archive.org/web/20070101000000*/http://www.hansenwholesale.com/ceilingfans/minkaaire/model.asp?ProdNo=F300-ORB](http://www.hansenwholesale.com/ceilingfans/minkaaire/model.asp?ProdNo=F300-ORB). Published Oct. 11, 2007.
- “Fanimation Old Havana Wall Mount {Wall Mounted Fan} Model,” [online]. [Retrieved Nov. 7, 2016]. [web.archive.org/web/*/http://www.hansenwholesale.com/ceilingfans/fanimation/model.asp?ProdNo=FPH21 ORS-FPH61 BL](http://www.hansenwholesale.com/ceilingfans/fanimation/model.asp?ProdNo=FPH21 ORS-FPH61 BL). Published Oct. 9, 2011.
- “Ellington Faraday {Wall Mounted Fan} Model,” [online]. [Retrieved Nov. 7, 2016]. [web.archive.org/web/20140101000000*/http://www.delmarfans.com/ellington-ceiling-fans/faraday/far14bnk3w/](http://www.delmarfans.com/ellington-ceiling-fans/faraday/far14bnk3w/). Published Apr. 23, 2014.
- “Matthews Fan Co. Atlas Cinni {Table/Desk Fan} Model,” [online]. [Retrieved Nov. 7, 2016]. [web.archive.org/web/http://www.hansenwholesale.com/ceilingfans/matthewsfanco/model.asp?ProdNo=CI-CR](http://www.hansenwholesale.com/ceilingfans/matthewsfanco/model.asp?ProdNo=CI-CR). Published Aug. 31, 2015.
- “Fan Motor Cover,” [online]. [Retrieved Nov. 7, 2016]. [web.archive.org/web/20161107060053/http://cnofweek.com/Product/Electric-Motor-Fan-Cover-prod-10183-84553.html](http://cnofweek.com/Product/Electric-Motor-Fan-Cover-prod-10183-84553.html). Published Nov. 7, 2016.
- “Metropolitan Ceiling Fan by Gulf Coast,” [online]. [Retrieved Nov. 7, 2016]. [web.archive.org/web/*/http://www.palmfanstore.com/metropolitan.html](http://www.palmfanstore.com/metropolitan.html). Published Oct. 3, 2009.
- “Savoy House Circulaire 3 Headed Ceiling Fan,” [online]. [Retrieved Nov. 7, 2016]. [web.archive.org/web/*/http://www.savoyhouse.com/Circulaire-3-Headed-Ceiling-Fan.html](http://www.savoyhouse.com/Circulaire-3-Headed-Ceiling-Fan.html). Published Mar. 4, 2015.
- “Case Vieja Esquire 3 Head Ceiling Fan,” [online]. [Retrieved Nov. 7, 2016]. [web.archive.org/web/*/http://www.lampsplus.com/products/38-inch-esquire-rich-bronze-finish-3-head-ceiling-fan_99349.html](http://www.lampsplus.com/products/38-inch-esquire-rich-bronze-finish-3-head-ceiling-fan_99349.html). Published Mar. 27, 2009.
- “Emerson Curva 52 Ceiling Fan Model,” [online]. [Retrieved Nov. 8, 2016]. [web.archive.org/web/*/http://www.ansenwholesale.com/ceilingfans/emerson/model.asp?ProdNo=CF252BS](http://www.ansenwholesale.com/ceilingfans/emerson/model.asp?ProdNo=CF252BS). Published Aug. 30, 2014.
- “Kichler 48" Celino Ceiling Fan,” [online]. [Retrieved Nov. 7, 2016]. [web.archive.org/web/*/http://www.delmarfans.com/kichler-ceiling-fans/celino/300017mch/](http://www.delmarfans.com/kichler-ceiling-fans/celino/300017mch/). Published Jun. 14, 2012.
- “Modern Fan Vela Model,” [online]. [Retrieved Nov. 7, 2016]. [web.archive.org/web/20140101000000*/http://www.lumens.com/velo-ceiling-fan-by-modern-fan-company-uu153238.html](http://www.lumens.com/velo-ceiling-fan-by-modern-fan-company-uu153238.html). Published Mar. 23, 2014.
- “Quorum Trimark Ceiling Fan Model,” [online]. [Retrieved Nov. 7, 2016]. [web.archive.org/web/*/http://www.lumens.com/trimark-ceiling-fan-by-quorum-international-uu310234.html](http://www.lumens.com/trimark-ceiling-fan-by-quorum-international-uu310234.html). Published Oct. 9, 2013.
- “Modern Fan Plum Model,” [online]. [Retrieved Nov. 7, 2016]. [web.archive.org/web/*/http://www.lumens.com/urn-ceiling-fan-by-modern-fan-company-uu387992.html](http://www.lumens.com/urn-ceiling-fan-by-modern-fan-company-uu387992.html). Published Sep. 14, 2013.
- “Fanimation The 220 Volt Benito Ceiling Fan Model,” [online]. [Retrieved Nov. 7, 2016]. [web.archive.org/web/*/http://www.ilighting.com/fanimation-benito-uni-ceiling-fan.html](http://www.ilighting.com/fanimation-benito-uni-ceiling-fan.html). Published Oct. 21, 2013.
- “Montecarlo Butterfly Ceiling Fan,” [online]. [Retrieved Nov. 7, 2016]. [web.archive.org/web/*/http://www/lighting.com/montecarlo-fan-company-butterfly-ceiling-fan.html](http://www.lighting.com/montecarlo-fan-company-butterfly-ceiling-fan.html). Published Feb. 24, 2015.

(56)

References Cited

OTHER PUBLICATIONS

“Craftmade Dane Ceiling Fan Model,” [online]. [Retrieved Nov. 7, 2016]. web.archive.org/web/20130101000000*/http://www.delmarfans.com/craftmade-ceiling-fans/dane/da30ss3/. Published Apr. 24, 2013.

“Montecarlo Colony II Ceiling Fan Model,” [online]. [Retrieved Nov. 7, 2016]. [web.archive.org/web/*/https://www . wayfair.com/Monte-Carlo-Fan-Company-28-Colony-II-4-Blade-Ceiling-Fan-4C028BK-MON2533.html](http://web.archive.org/web/*/https://www.wayfair.com/Monte-Carlo-Fan-Company-28-Colony-II-4-Blade-Ceiling-Fan-4C028BK-MON2533.html). Published Jul. 4, 2012.

Minka Aire F306L-BS/SL Elemental Gyro-42" Ceiling Fan with Light Kit, Brushed Steel Finish with Silver Blade Finish Nith Etched Opal Glass, first available Mar. 31, 2016, amazon.com, site visited Mar. 16, 2017, Copyright© 1996-2017, Available from Internet, <https://www.amazon.com/Minka-Aire-F306L-BS-Elemental-Gyro/dp/B01OONJSA2/ref=sr_1_1?s=hi&ie=UTF8&

* cited by examiner

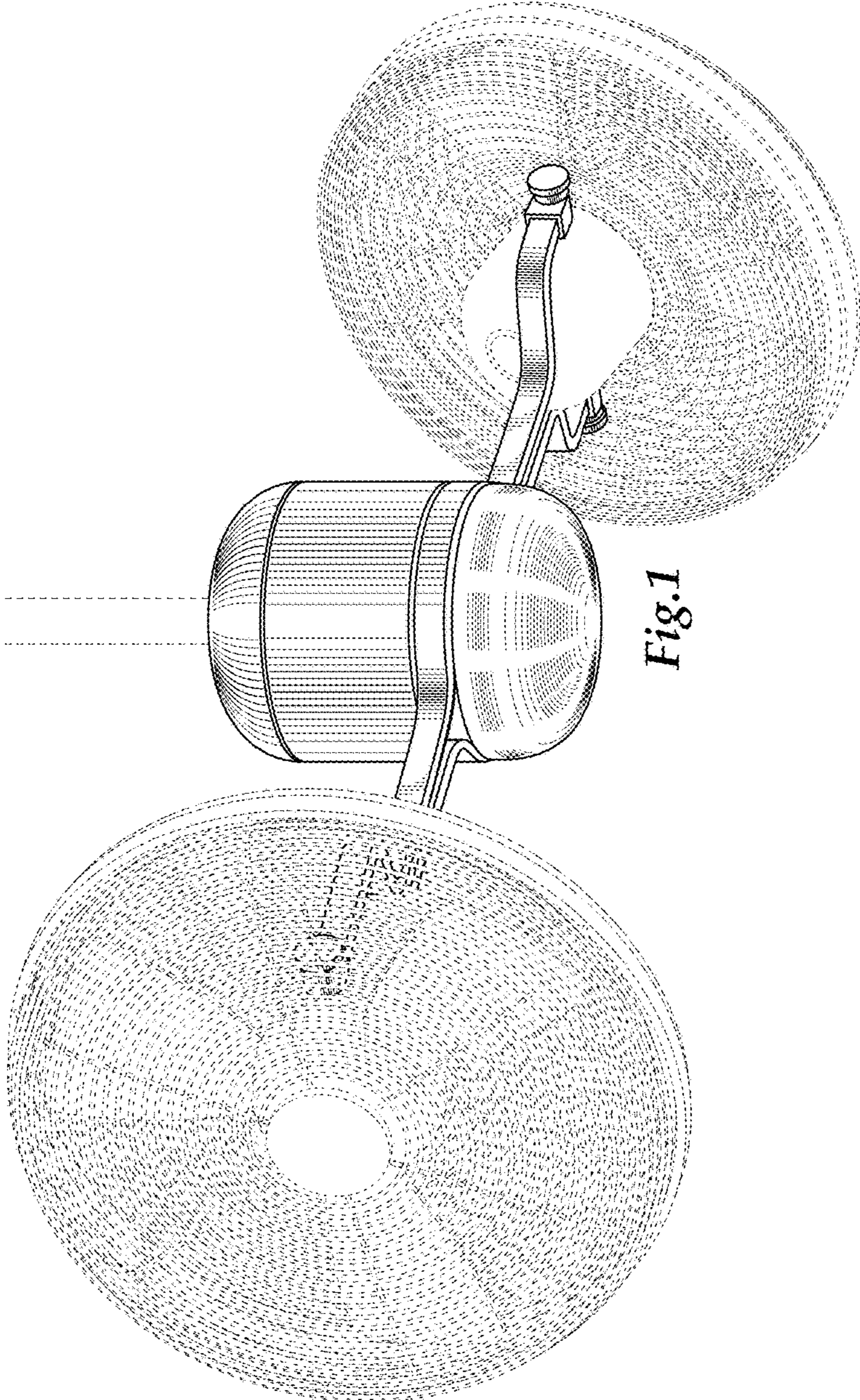
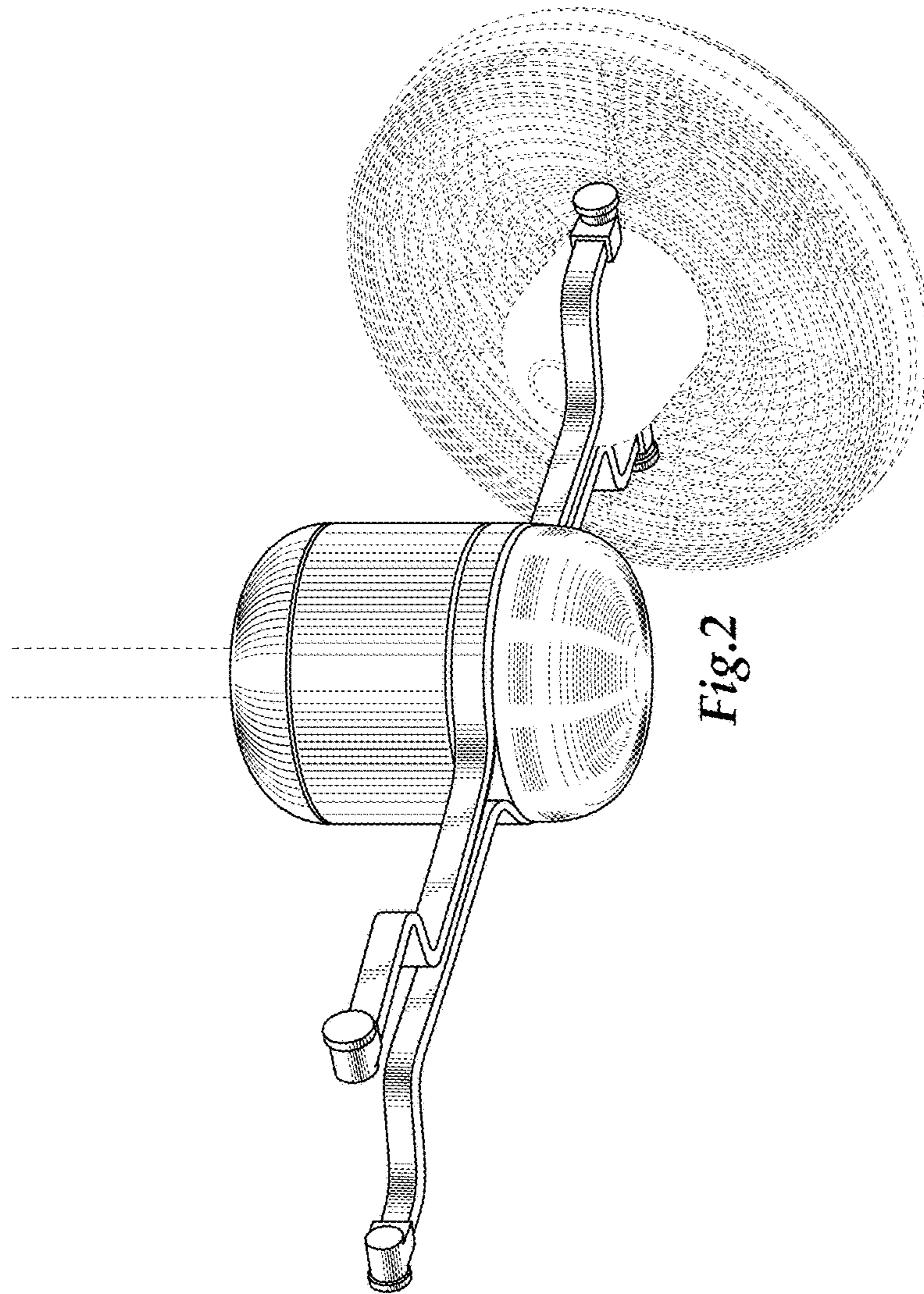


Fig.1



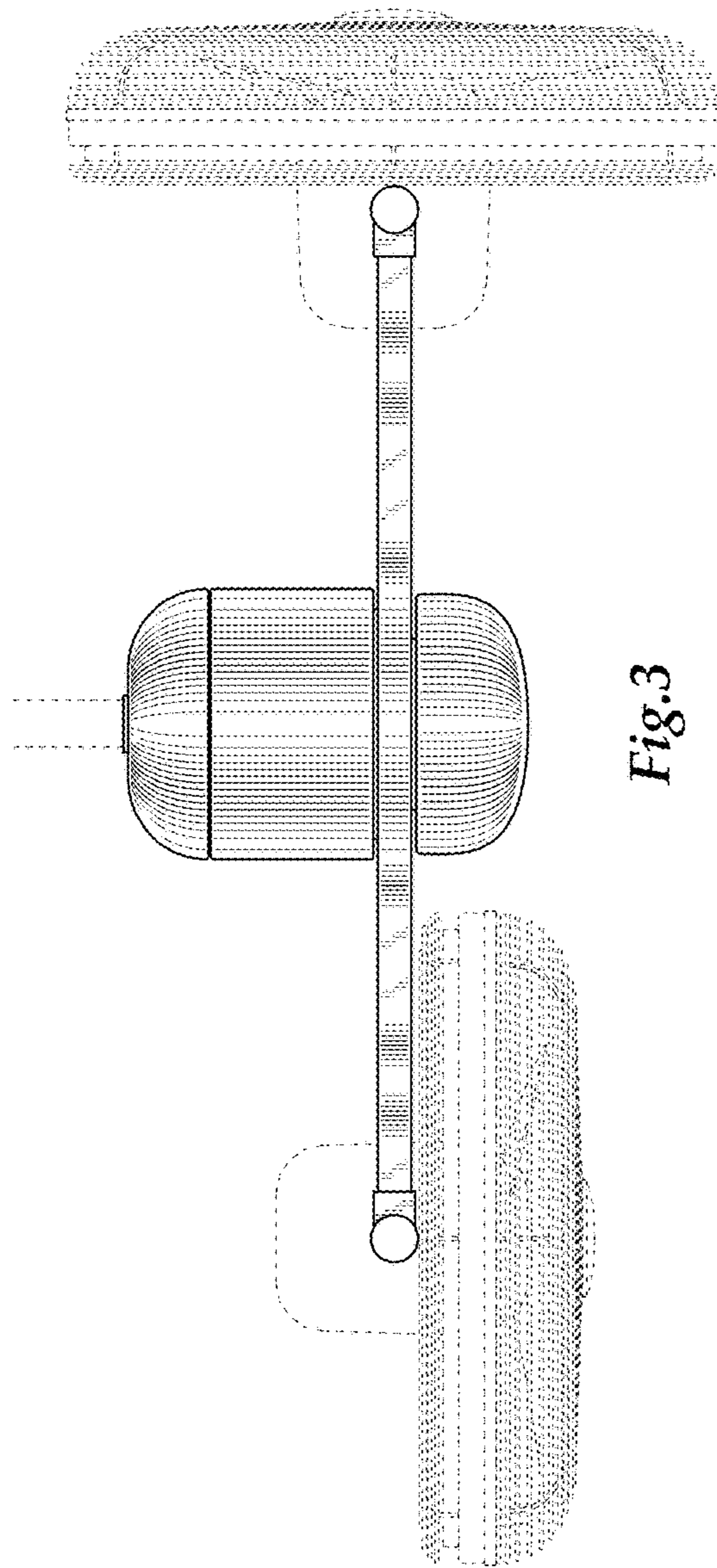


Fig.3

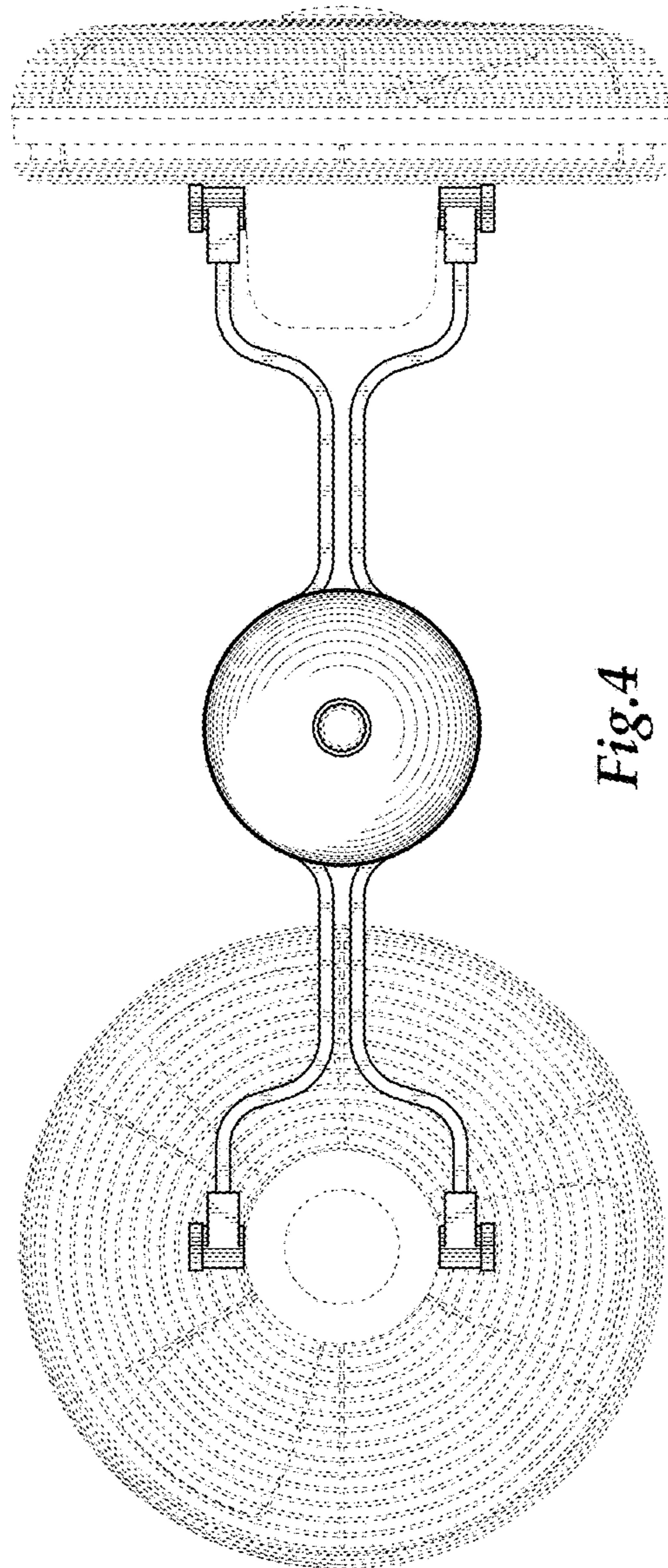


Fig. 4

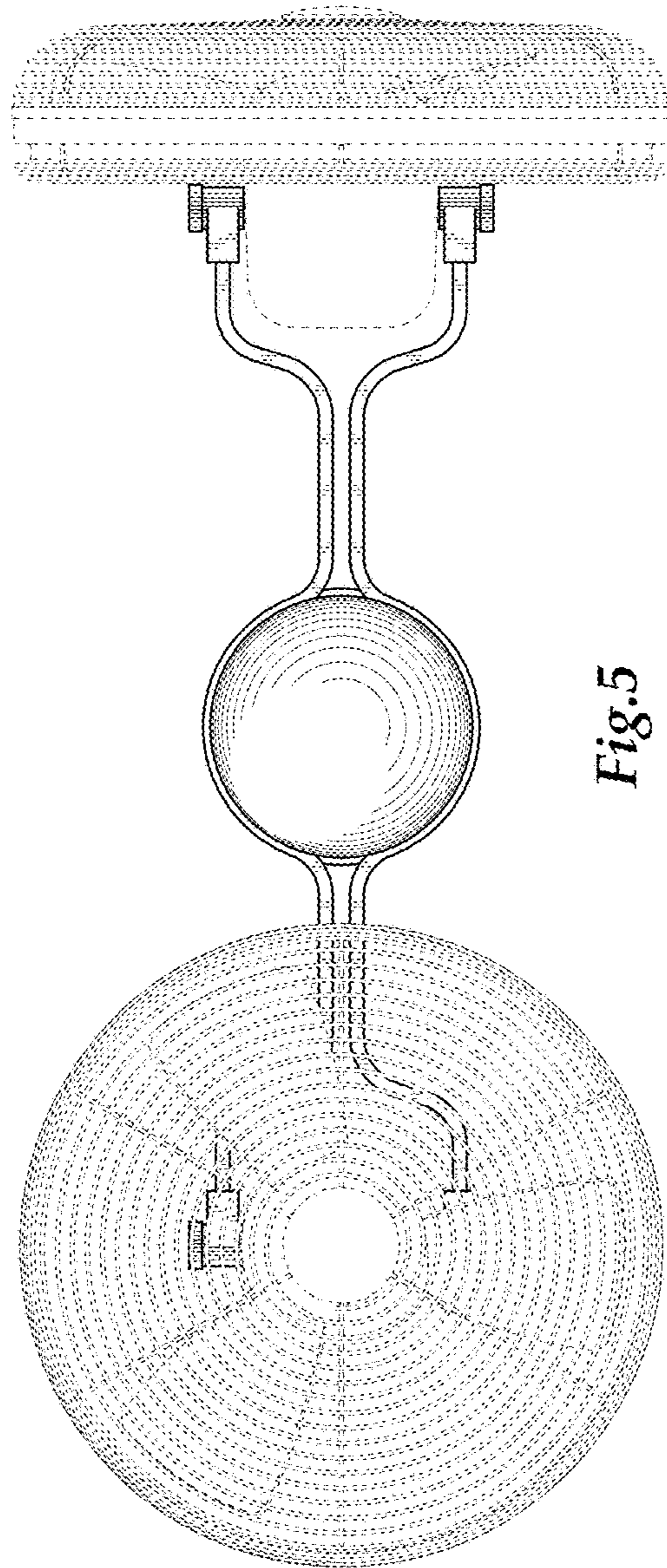


Fig.5

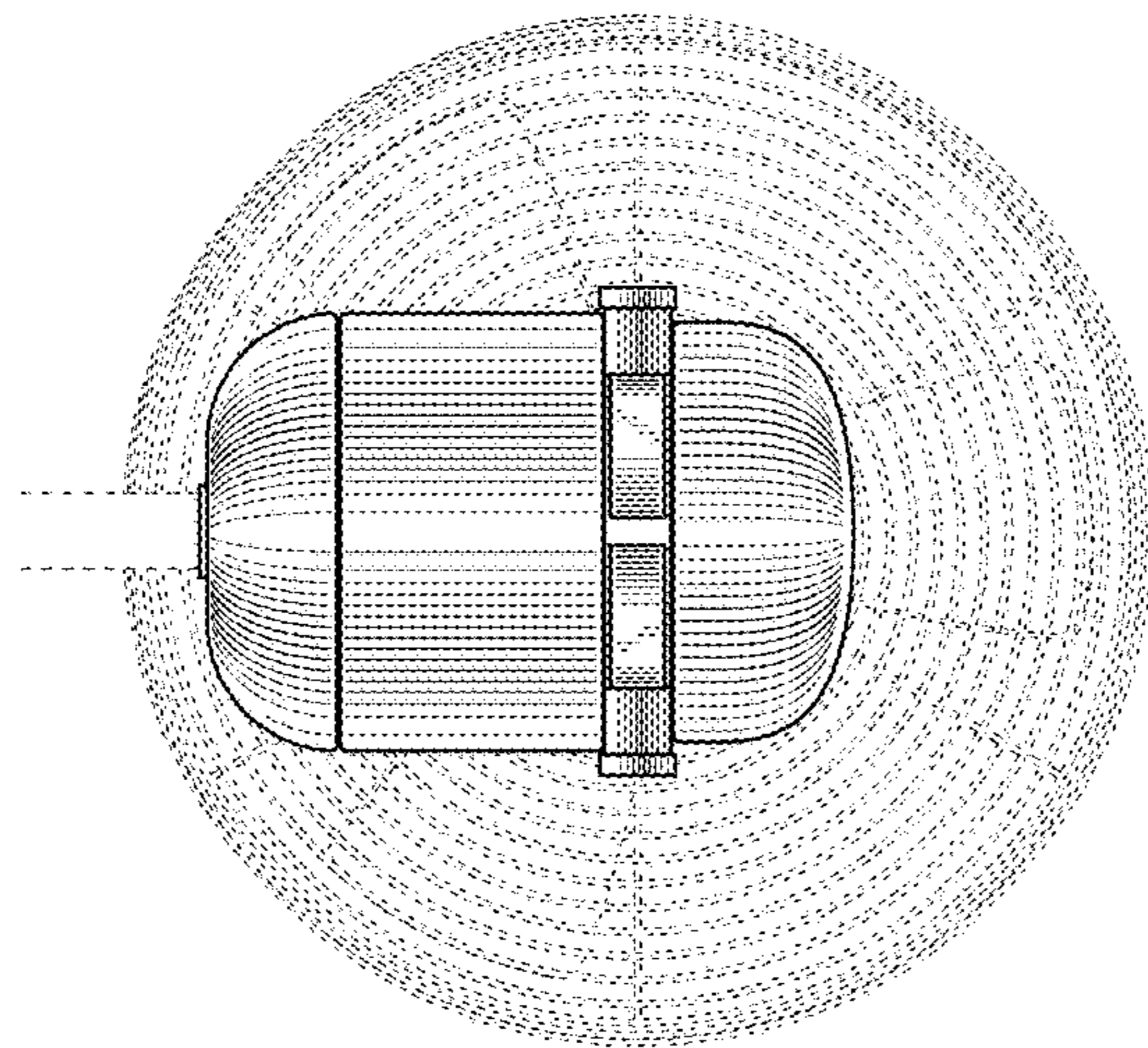


Fig. 6