



US00D848600S

(12) **United States Design Patent**
Gajewski

(10) **Patent No.:** **US D848,600 S**

(45) **Date of Patent:** **** May 14, 2019**

(54) **CEILING FAN HOUSING**

FOREIGN PATENT DOCUMENTS

(71) Applicant: **Minka Lighting, Inc.**, Corona, CA
(US)

AU 201614007 S 7/2016
EM 003312974-0001 S 8/2016

(72) Inventor: **Mark Gajewski**, Henderson, NV (US)

OTHER PUBLICATIONS

(73) Assignee: **Minka Lighting, Inc.**, Corona, CA
(US)

“Metropolitan Ceiling Fan by Gulf Coast,” [online] [Retrieved Oct. 3, 2016] [web.archive.org/web/20150402172357 http://lwww.modernfanoutlet.com/gulf-coast-metropolitan-wb.html](http://web.archive.org/web/20150402172357/http://lwww.modernfanoutlet.com/gulf-coast-metropolitan-wb.html). Published Apr. 12, 2015.

(**) Term: **15 Years**

(Continued)

(21) Appl. No.: **29/634,496**

(22) Filed: **Jan. 22, 2018**

Primary Examiner — Cathron C Brooks

Assistant Examiner — Sharon S Oum

Related U.S. Application Data

(74) *Attorney, Agent, or Firm* — Joseph R. Lanser;
Seyfarth Shaw LLP

(63) Continuation of application No. 29/586,730, filed on Dec. 6, 2016, now Pat. No. Des. 808,509, which is a continuation-in-part of application No. 29/552,005, filed on Jan. 19, 2016, now abandoned.

(51) **LOC (11) Cl.** **23-03**

(52) **U.S. Cl.**
USPC **D23/411; D26/59**

(58) **Field of Classification Search**
USPC D23/370–385, 411–414; D26/59
CPC F04D 25/088; F21V 33/0096
See application file for complete search history.

(57) **CLAIM**

The ornamental design for a ceiling fan housing, as shown and described.

DESCRIPTION

(56) **References Cited**

U.S. PATENT DOCUMENTS

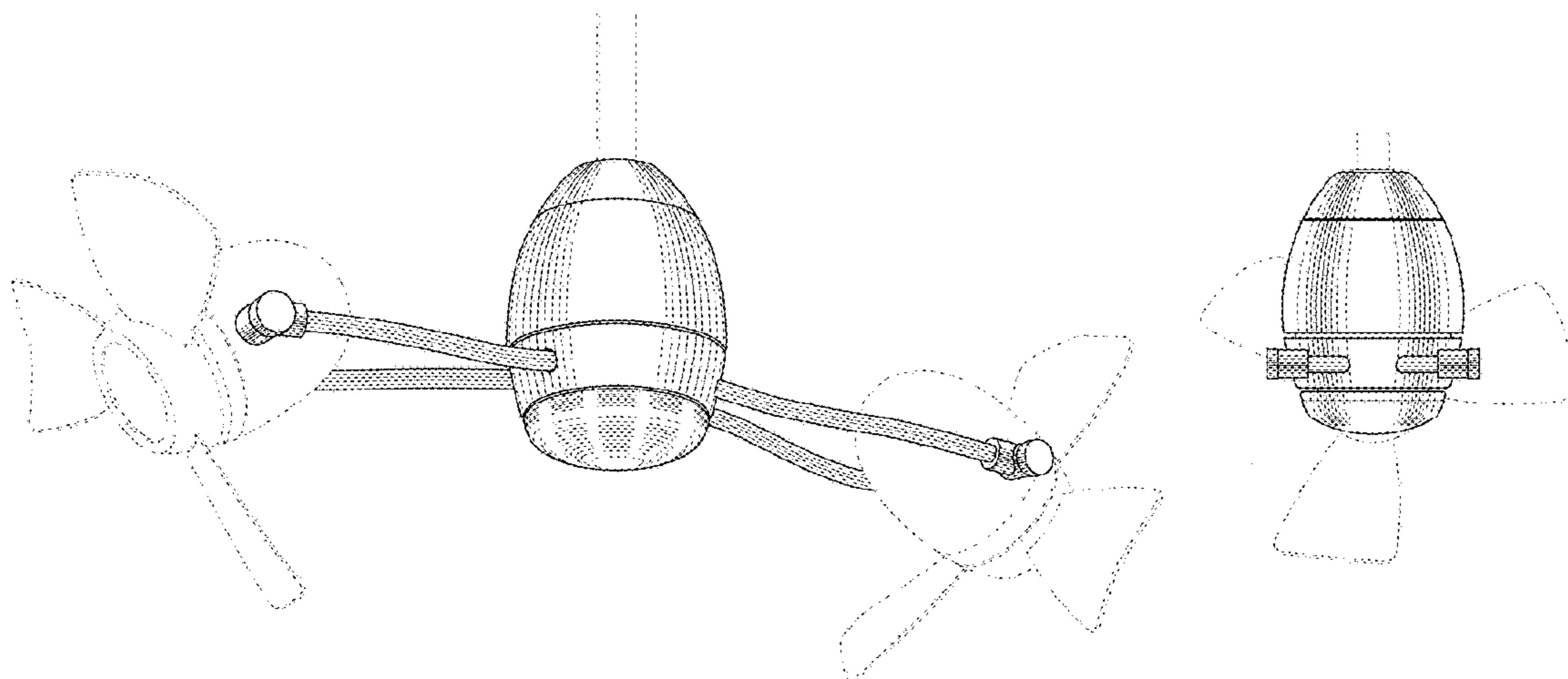
D485,608 S	1/2004	Chen	
D489,443 S	5/2004	Gajewski	
D490,146 S	5/2004	Gajewski	
6,817,830 B1 *	11/2004	Chen	F04D 25/166 415/60
D506,002 S	6/2005	Chen	
6,913,443 B2 *	7/2005	Chen	F04D 25/088 416/100
D508,120 S	8/2005	Chen	
D519,204 S	4/2006	Spina	

FIG. 1 is a perspective view of a ceiling fan housing in accordance with my design;
FIG. 2 is a top plan view of the ceiling fan housing in accordance with my design;
FIG. 3 is a bottom plan view of the ceiling fan housing in accordance with my design;
FIG. 4 is a left-side elevation view of the ceiling fan housing in accordance with my design, the opposite side being a mirror image of that shown; and,
FIG. 5 is a front elevation view of the ceiling fan housing in accordance with my design, the opposite side being a mirror image of that shown.

The broken lines illustrate environmental structure and form no part of the claimed design.

The lighter and closely spaced lines in the drawings are surface shading and are not surface ornamentation.

1 Claim, 3 Drawing Sheets



(56)

References Cited

U.S. PATENT DOCUMENTS

D519,625 S	4/2006	Young	
7,077,629 B2 *	7/2006	Chen F04D 25/088 416/110
D717,934 S	11/2014	Chen	
D783,145 S *	4/2017	Wang D23/411
D799,667 S *	10/2017	Wang D23/377
D808,509 S *	1/2018	Gajewski D23/377
2003/0210982 A1	11/2003	Chen	
2004/0081564 A1	4/2004	Chen	
2004/0191066 A1	9/2004	Chen	
2004/0247427 A1	12/2004	Chen	
2006/0029498 A1	2/2006	Chen	

OTHER PUBLICATIONS

“Savoy House Circulaire Ceiling Fan,” [online] [Retrieved Oct. 3, 2016] web.archive.org/web/20150202024834/http://www.savoyhouse.com/Circulaire-Ceiling-Fan-50-950-CA-SN.html. Published Feb. 2, 2015.

“Matthews Fan Co Atlas Kaye {Wall Mounted Fan) Model,” [online] [Retrieved Oct. 3, 2016] web.archive.org/web/20120815151802/http://fwww.ylighting.com/matthews-fan-kaye-wall-fan.html Published Aug. 15, 2012.

“Minka Aire Gyro Traditional Ceiling Fan,” [online] [Retrieved Oct. 3, 2016] web.archive.org/web/20150908013731/http://www.minkagroup.net/products/f502-bcw Published Aug. 30, 2014.

“Savoy House Circulaire 3 Headed Ceiling Fan,” [online] [Retrieved Oct. 3, 2016] web.archive.org/web/20150304155303/http://fwww.savoyhouse.com/Circulaire-3-Headed-Ceiling-Fan.html Published Mar. 4, 2015.

“Matthews Fan Co Vent-Bettina Metal Ceiling Fan Model,” [online] [Retrieved Oct. 4, 2016] web.archive.org/web/20120903021503/http://www.hansenwholesale.com/ceilingfans/matthewsfanco/model.asp?ProdNo=VB-CR-MTL. Published Sep. 3, 2012.

“Minka Aire Gyrette Ceiling Fan Model,” [online] [Retrieved Oct. 4, 2016] web.archive.org/web/20120806180136/http://www.farreys.com/ceilingfans/minkaaire/gyretteF302-BN.html Published Aug. 6, 2012.

Craftmade Bellows IV {Wall Mounted Fan) Model, [online] [Retrieved Oct. 4, 2016] web.archive.org/web/20160324044808/http://www.craftmade.com/Craftmade-Bellows-iv-v16.htm Published Mar. 24, 2016.

Savoy House Sleep Floor Fan (Pedestal Fan) Model, [online]. [Retrieved Oct. 4, 2016]. web.archive.org/web/20141123144846/http://www.bedbathandbeyond.com/store/product/savoy-house-19-inch-3-speed-floor-pedestal-sleep-fan/3258382? Published Nov. 23, 2014.

Savoy House Skyy Wall Fan (Wall Mounted Fan) Model, [online]. [Retrieved Oct. 4, 2016]. web.archive.org/web/20140915205153/http://www.savoyhouse.com/Skyy-Wall-Fan.html. Published Sep. 15, 2014.

Craftmade Dane Ceiling Fan Model, [online]. [Retrieved Oct. 4, 2016]. web.archive.org/web/20141031080103/http://www.lampsplus.com/products/30-inch-craftmade-dane-stainless-steel-ceiling-fan_6c705.html. Published Oct. 31, 2014.

Quorum Bronx Patio Ceiling Fan Model, [online]. [Retrieved Oct. 4, 2016]. web.archive.org/web/20140113133352/http://www.lumens.com/bronx-patio-ceiling-fan-by-quorum-international-uu455837.html. Published Jan. 13, 2014.

“Emerson Curva 44 Ceiling Fan Model,” [online]. [Retrieved Oct. 4, 2016]. web.archive.org/web/20151017235758/http://ceilingfans.emerson.com/shop/en/fan/44-curva-fan-p-cf244? Published Oct. 17, 2015.

“Quorum Muse Ceiling Fan Model,” [online]. [Retrieved Oct. 4, 2016]. web.archive.org/web/20140113131942/http://www.lumens.com/muse-ceiling-fan-by-quorum-international-uu310239.html. Published Jan. 13, 2014.

“Modern Fan Gusto Model,” [online]. [Retrieved Oct. 4, 2016]. web.archive.org/web/20140408061033/http://www.modernfan.com/products/gusto.html. Published Apr. 8, 2014.

“Montecarlo Muirfield Ceiling Fan,” [online]. [Retrieved Oct. 4, 2016]. web.archive.org/web/20110811024539/http://www.montecarlofans.com/fa1766-pg1/Muirfield-Collection.htm. Published Aug. 11, 2011.

“Modern Fan Plum Model,” [online]. [Retrieved Oct. 4, 2016]. web.archive.org/web/20140408061105/http://www.modernfan.com/products/plum.html. Published Apr. 8, 2014.

“Modern Fan Cirrus Model,” [online]. [Retrieved Oct. 4, 2016]. web.archive.org/web/20160204141156/http://www.lighting.com/modern-fan-cirrus-ceiling-fan.html. Published Feb. 4, 2016.

“Minka Aire Vintage Gyro Ceiling Fan,” [online]. [Retrieved Oct. 4, 2016]. web.archive.org/web/20140830171636/http://minkagroup.net/products/f802-orb. Published Aug. 30, 2014.

“Minka Aire Gyro Ceiling Fan,” [online]. [Retrieved Oct. 4, 2016]. web.archive.org/web/20081226150837/http://www.lampsplus.com/Products/42-inch-Minka-Aire-Gyro-Ceiling-Fan_70451.html. Published Dec. 26, 2008.

“Minka Aire Gyro Outdoor Ceiling Fan,” [online]. [Retrieved Oct. 4, 2016]. web.archive.org/web/20140805143133/http://www.lumens.com/gyro-wet-42-in.-ceiling-fan-by-minka-aire-fans-PAAAAAFCNDJACBCL.html. Published Aug. 2014.

“Matthews Fan Co. Dagny w/Wood Blades Ceiling Fan,” [online]. [Retrieved Oct. 4, 2016]. web.archive.org/web/20120815153325/http://www.ylighting.com/matthews-fan-dagny-ceiling-fan.html. Published Aug. 15, 2012.

“Matthews Fan Co. Atlas Acqua Rotational Wood Ceiling Fan,” [online] [Retrieved Oct. 4, 2016] web.archive.org/web/20120310102815/http://www.ylighting.com/matthews-fan-acqua-ceiling-fan.html. Published Mar. 10, 2012.

“Matthews Fan Co. Dagny w/Metal Blades Ceiling Fan,” [online]. [Retrieved Oct. 4, 2016]. web.archive.org/web/20120815153325/http://www.ylighting.com/matthews-fan-dagny-ceiling-fan.html. Published Aug. 15, 2012.

“Savoy House Sleep Fan Table (Table/Desk Fan) Model,” [online]. [Retrieved Oct. 4, 2016]. web.archive.org/web/20151028095203/http://www.hansenwholesale.com/ceilingfans/savoyhouse/model.asp?ProdNo=SV%2D12%DSF%2D13. Published Oct. 28, 2015.

“Craftmade Bellows III Ceiling Fan Model,” [online]. [Retrieved Oct. 4, 2016]. web.archive.org/web/20151225091221/http://www.craftmade.com/Craftmade-BW321-AG3-Bronze-Outdoor-Ceiling-Fan-HTML. Published Dec. 25, 2015.

“Craftmade Bellows II Ceiling Fan Model,” [online]. [Retrieved Oct. 4, 2016]. web.archive.org/web/20160515134443/http://www.craftmade.com/Craftmade-BW248AG6-Bronze-Outdoor-Ceiling-Fan-HTML. Published May 15, 2016.

Craftmade Bellows I (Wall Mounted Fan) Model, [online]. [Retrieved Oct. 4, 2016]. web.archive.org/web/20150704000333/http://www.hansenwholesale.com/ceilingfans/craftmade/model.asp?ProdNo=CF%DBW116AG3. Published Jul. 4, 2015.

“Matthews Fan Co. Atlas Melody Oscillating Wall Fan (Wall Mounted Fan) Model,” [online]. [Retrieved Oct. 4, 2016]. web.archive.org/web/20120310113427/http://www.ylighting.com/matthews-fan-melody-wall-fan.html. Published Mar. 10, 2012.

“Kichler Dual Yuree Ceiling Fan,” [online]. [Retrieved Oct. 4, 2016]. web.archive.org/web/20140724123112/http://www.kichler.com/products/product/48-inch-dual-yuree-fan-ni-310125ni.aspx. Published Jul. 24, 2014.

“Circulaire Ceiling Fan,” [online]. [Retrieved Mar. 10, 2017]. web.archive.org/web/20150202024834/http://www.savoyhouse.com/Circulaire-Ceiling-Fan-50-950-CA-SN.html. Published Feb. 2, 2015.

Minka Aire F304L-BN/SL Gyro-42" Cage Free Ceiling Fan with Light Kit, Brushed Nickel/Silver Finish with Silver Blade Finish with Etched Opal Glass, first available Mar. 31, 2016, amazon.com, site visited Mar. 16, 2017, Copyright© 1996-2017, Available from Internet, <https://www.amazon.com/Minka-Aire-F304L-BN-SL-Gyro/dp/B01OONJRF5/ref=sr_1_1?ie=UTF8&qid=

* cited by examiner

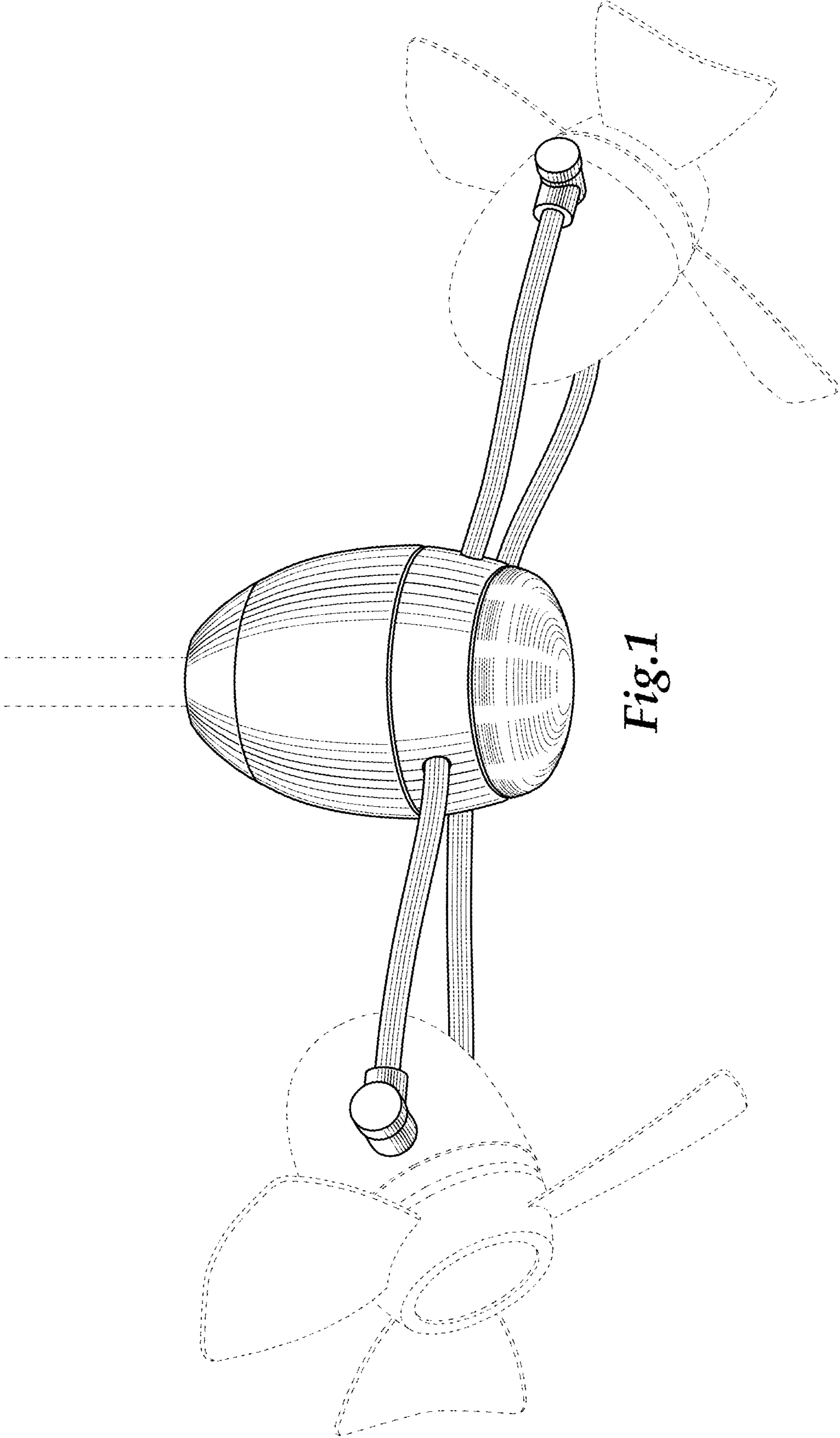


Fig.1

