



US00D848599S

(12) **United States Design Patent** (10) **Patent No.:** **US D848,599 S**  
**Schramski et al.** (45) **Date of Patent:** **\*\* May 14, 2019**

(54) **AIR VENT**

(71) Applicant: **B & B Molders, LLC**, Mishawaka, IN (US)

(72) Inventors: **Adam N. Schramski**, Mishawaka, IN (US); **Brian L. Shinabarger**, Elkhart, IN (US); **Michael P. Dittrich**, Granger, IN (US); **John E. Harris**, Goshen, IN (US); **Bradly M. Murphey**, Osceola, IN (US)

(73) Assignee: **B & B Molders, LLC**, Mishawaka, IN (US)

(\*\*) Term: **15 Years**

(21) Appl. No.: **29/576,907**

(22) Filed: **Sep. 8, 2016**

(51) **LOC (11) Cl.** ..... **23-04**

(52) **U.S. Cl.**  
USPC ..... **D23/388**

(58) **Field of Classification Search**  
USPC ..... D14/230; D23/335, 342, 351, 354, 356, D23/364, 366, 370, 371, 385, 386,  
(Continued)

(56) **References Cited**

**U.S. PATENT DOCUMENTS**

4,712,501 A \* 12/1987 Whitley, II ..... B63B 3/66  
114/211  
D451,187 S \* 11/2001 Webb ..... D23/393  
(Continued)

**OTHER PUBLICATIONS**

Walton, Steven. "NZXT H440 Mid-Tower Case Review." techspot.com. Jun. 11, 2014. Accessed Dec. 11, 2018. Available online at URL: <<https://www.techspot.com/review/828-nzxt-h440/>> (Year: 2014).\*

(Continued)

*Primary Examiner* — Cathron C Brooks  
*Assistant Examiner* — Christian P. McLean  
(74) *Attorney, Agent, or Firm* — Stephen T. Olson;  
Harness, Dickey & Pierce, P.L.C.

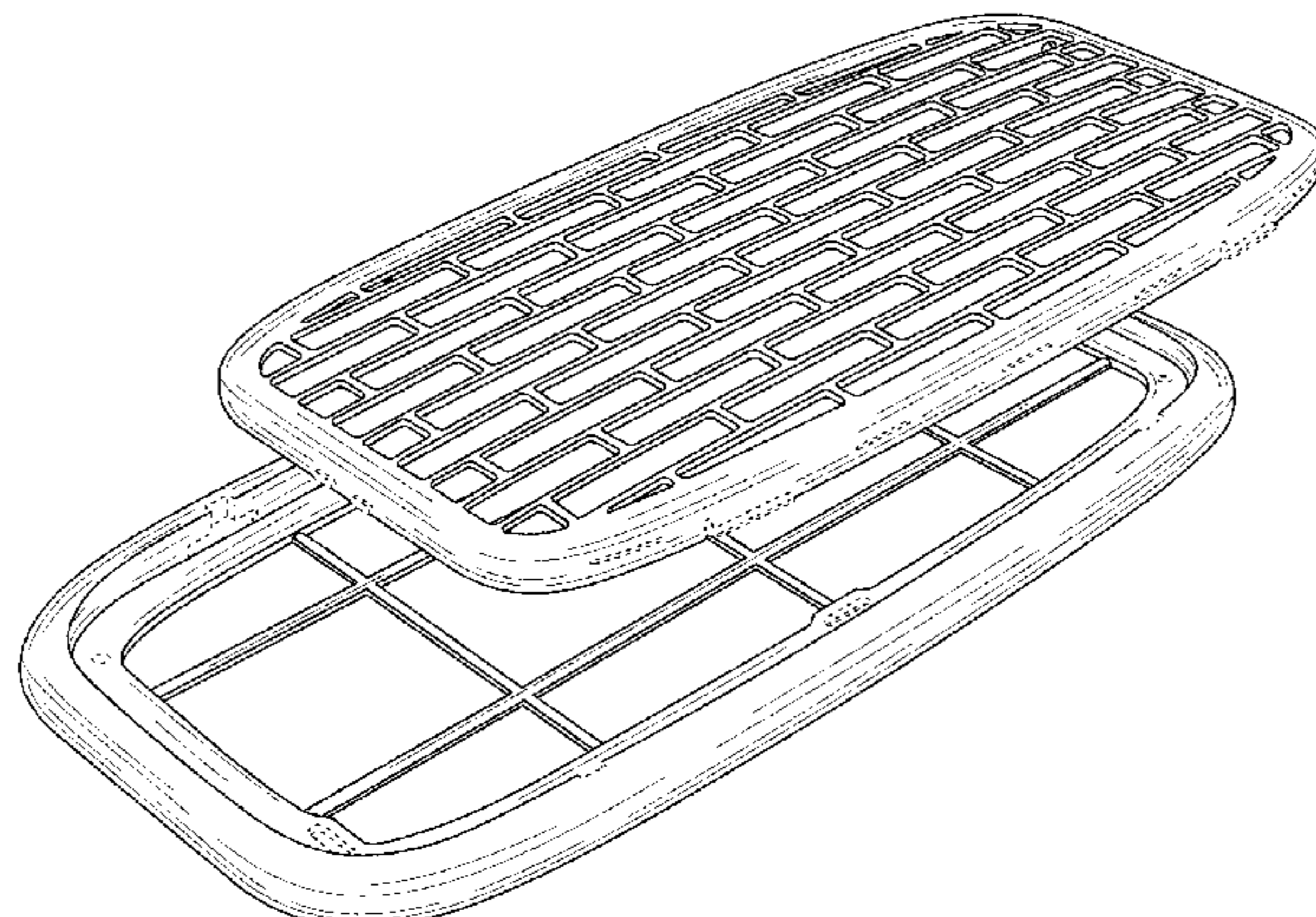
(57) **CLAIM**

We claim the ornamental design for an air vent, as shown and described.

**DESCRIPTION**

FIG. 1 is an exploded perspective view of an air vent, showing the new design.  
FIG. 2 is a perspective view of the air vent shown in FIG. 1 in its assembled configuration.  
FIG. 3 is a front view of the air vent shown in FIG. 2.  
FIG. 4 is a side view of the air vent shown in FIG. 2 with the opposite side being a mirror image thereof.  
FIG. 5 is an end view of the air vent shown in FIG. 2 with the opposite end being a mirror image thereof.  
FIG. 6 is a perspective view of a first component of the air vent shown in FIG. 1.  
FIG. 7 is a front view of the component shown in FIG. 6.  
FIG. 8 is a side view of the component shown in FIG. 6 with the opposite side being a mirror image thereof.  
FIG. 9 is an end view of the component shown in FIG. 6 with the opposite end being a mirror image thereof.  
FIG. 10 is a perspective view of a second component of the air vent shown in FIG. 1.  
FIG. 11 is a front view of the component shown in FIG. 10.  
FIG. 12 is a side view of the component shown in FIG. 10 with the opposite side being a mirror image thereof; and, FIG. 13 is an end view of the component shown in FIG. 10 with the opposite end being a mirror image thereof.  
The broken lines in the drawings are included for the purpose of illustrating portions of the air vent and form no part of the claimed design.

**1 Claim, 10 Drawing Sheets**



(58) **Field of Classification Search**

USPC ..... D23/388-393; D26/72, 118, 152;  
55/332, 337, 486; 126/299 D, 299 E;  
D12/163

CPC ... B01D 39/1615; B01D 50/002; F24C 15/20;  
F24C 15/2035

See application file for complete search history.

(56) **References Cited**

U.S. PATENT DOCUMENTS

D599,465 S \* 9/2009 Mitchell ..... D23/388  
D628,674 S \* 12/2010 Dittmann ..... D23/209  
8,021,455 B2 \* 9/2011 Adamek ..... B01D 39/163  
55/486  
D718,673 S \* 12/2014 Thole ..... D12/163  
D744,076 S \* 11/2015 Xu ..... D23/351  
D753,809 S \* 4/2016 Schlegel ..... D23/366  
D761,407 S \* 7/2016 Spear ..... D23/365  
D787,656 S \* 5/2017 Yoo ..... D23/351  
D796,022 S \* 8/2017 DeChristofaro ..... D23/365  
D804,005 S \* 11/2017 Spear ..... D23/365  
D815,570 S \* 4/2018 McMahan ..... D12/163  
2003/0027516 A1 \* 2/2003 Mafi ..... F24F 13/082  
454/276  
2006/0272299 A1 \* 12/2006 Choi ..... A47L 9/122  
55/337

OTHER PUBLICATIONS

“Heat Register Filters Floor Register Filter.” graindesigners.com.  
Dec. 8, 2015. Accessed Dec. 11, 2018. Available online at URL:  
<<http://www.graindesigners.com/cf4694c8314cc01a.html>> (Year:  
2015).\*

\* cited by examiner

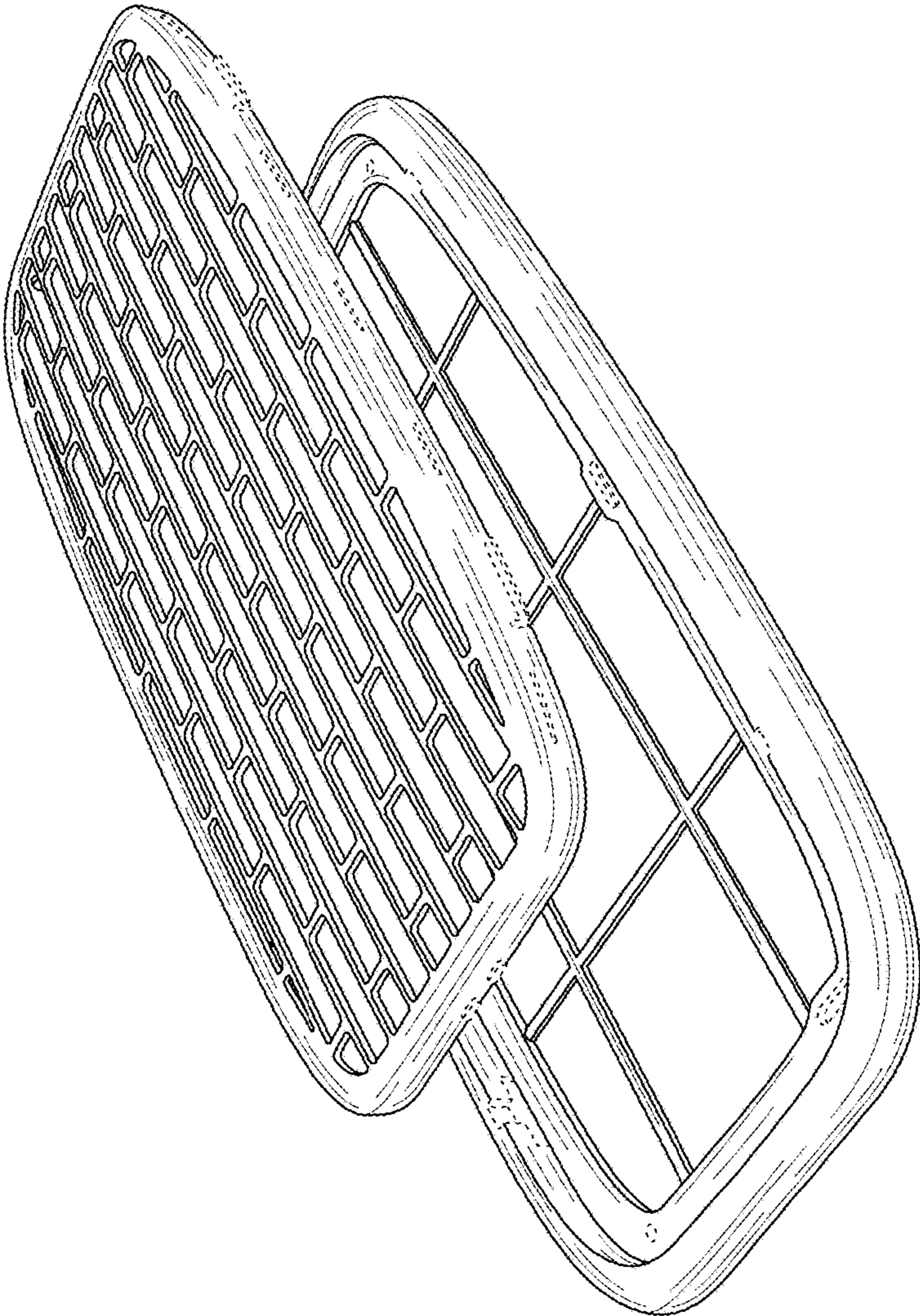


FIG. 1



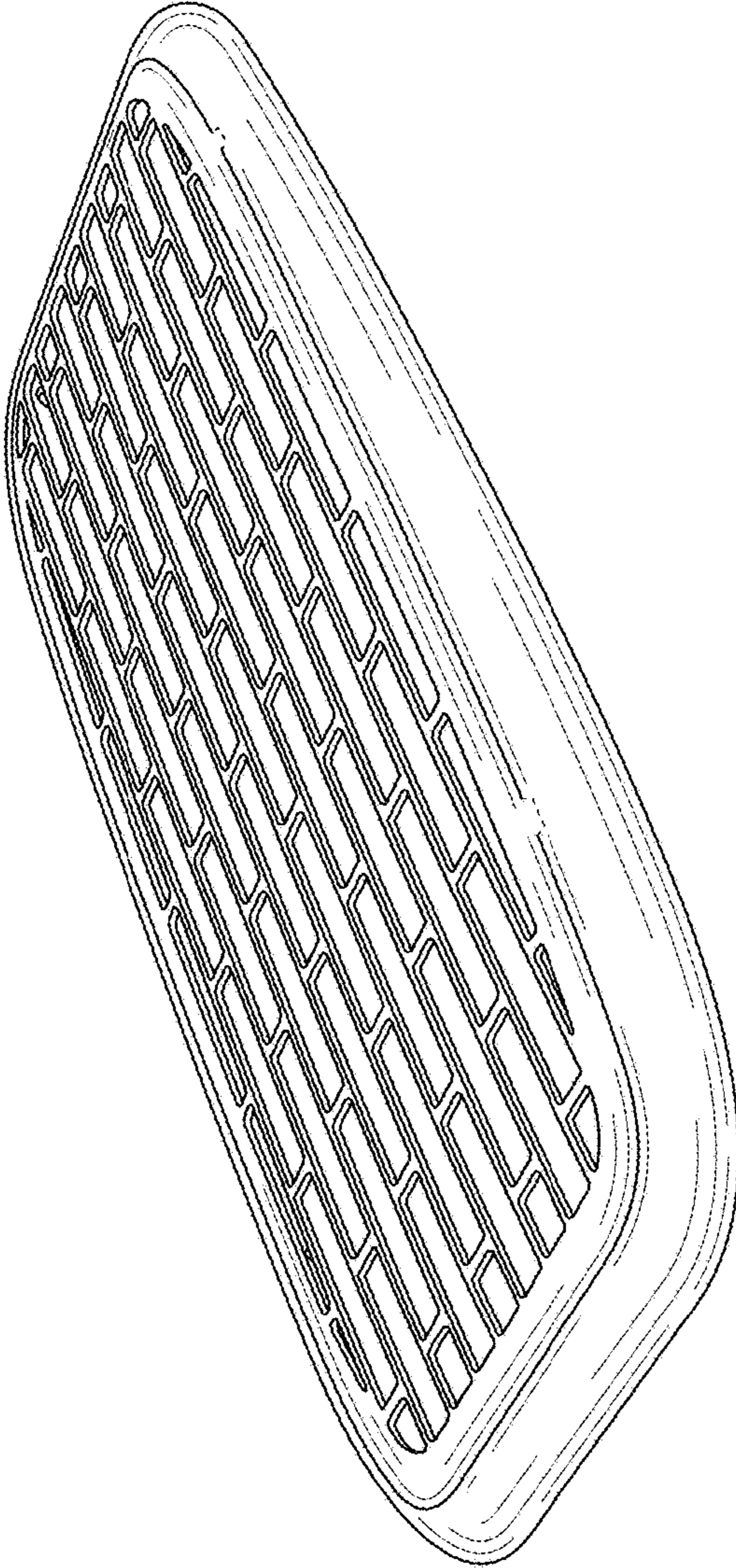


FIG. 2

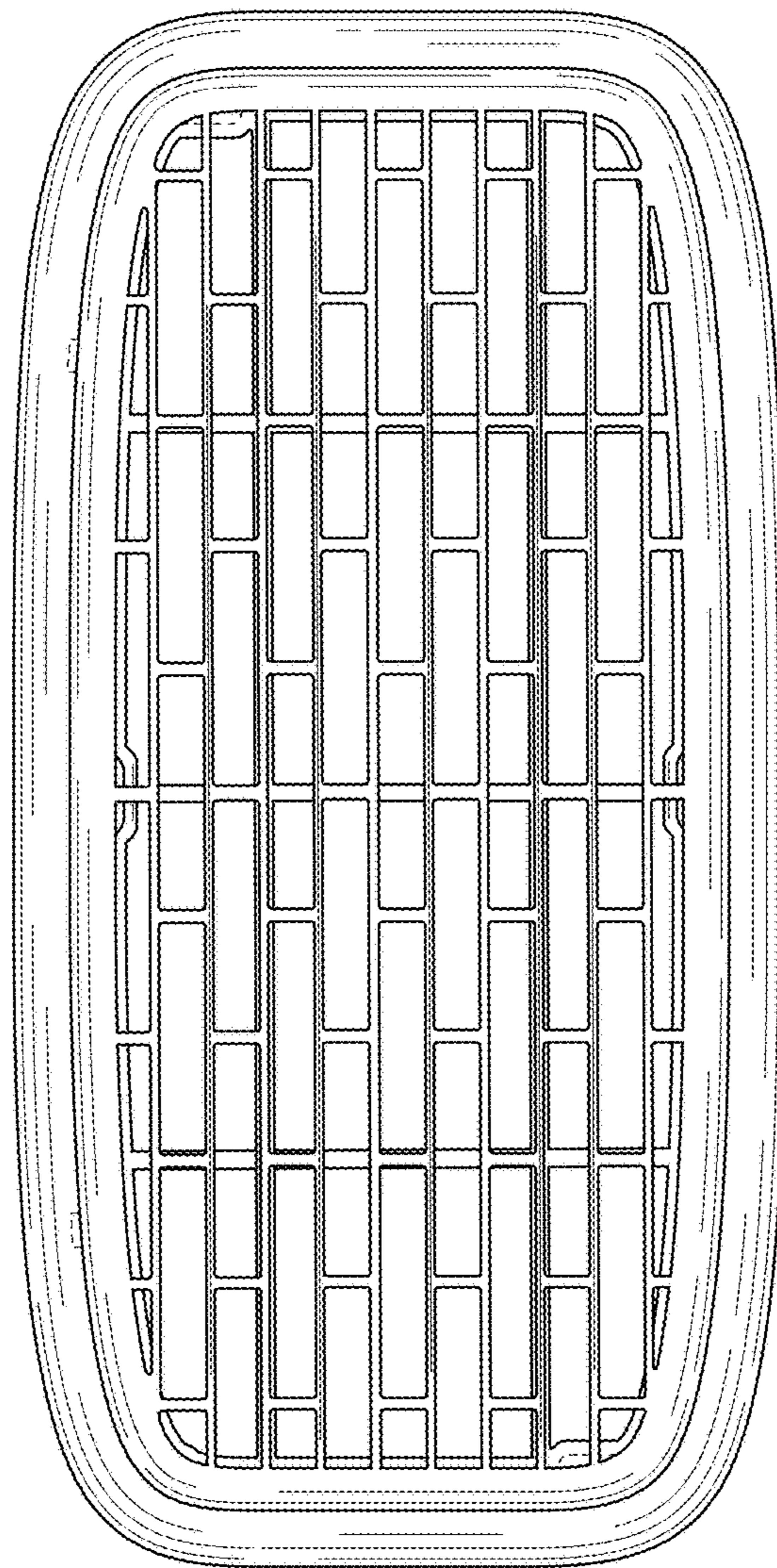


FIG. 3

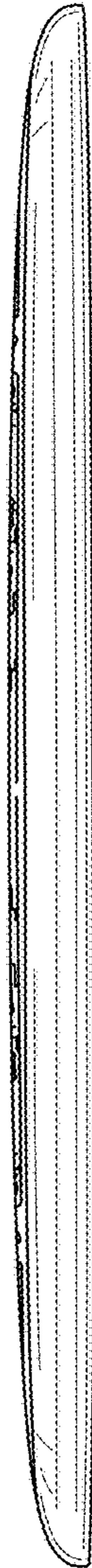


FIG. 4

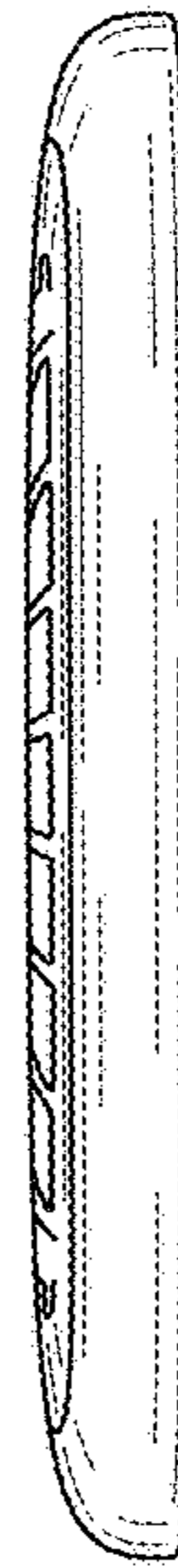


FIG. 5

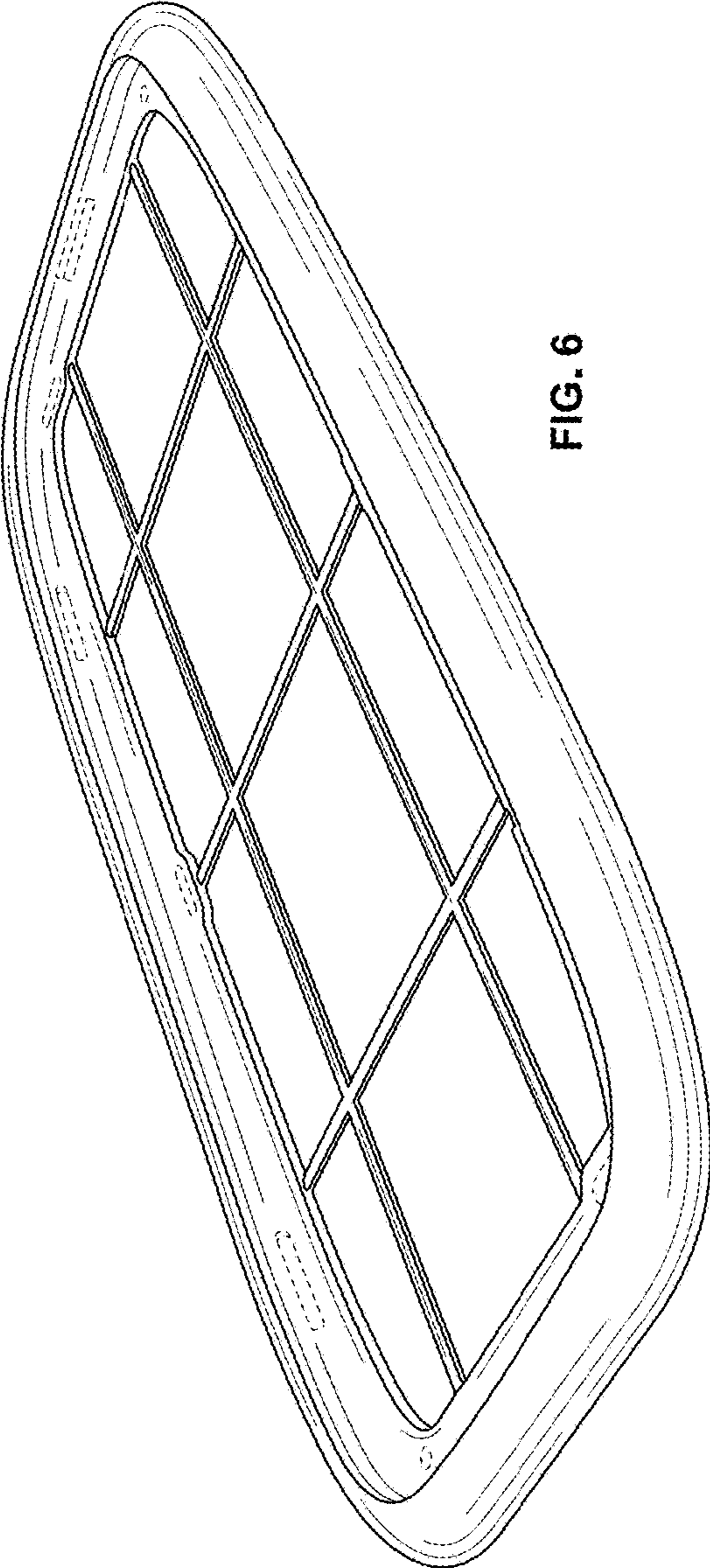


FIG. 6



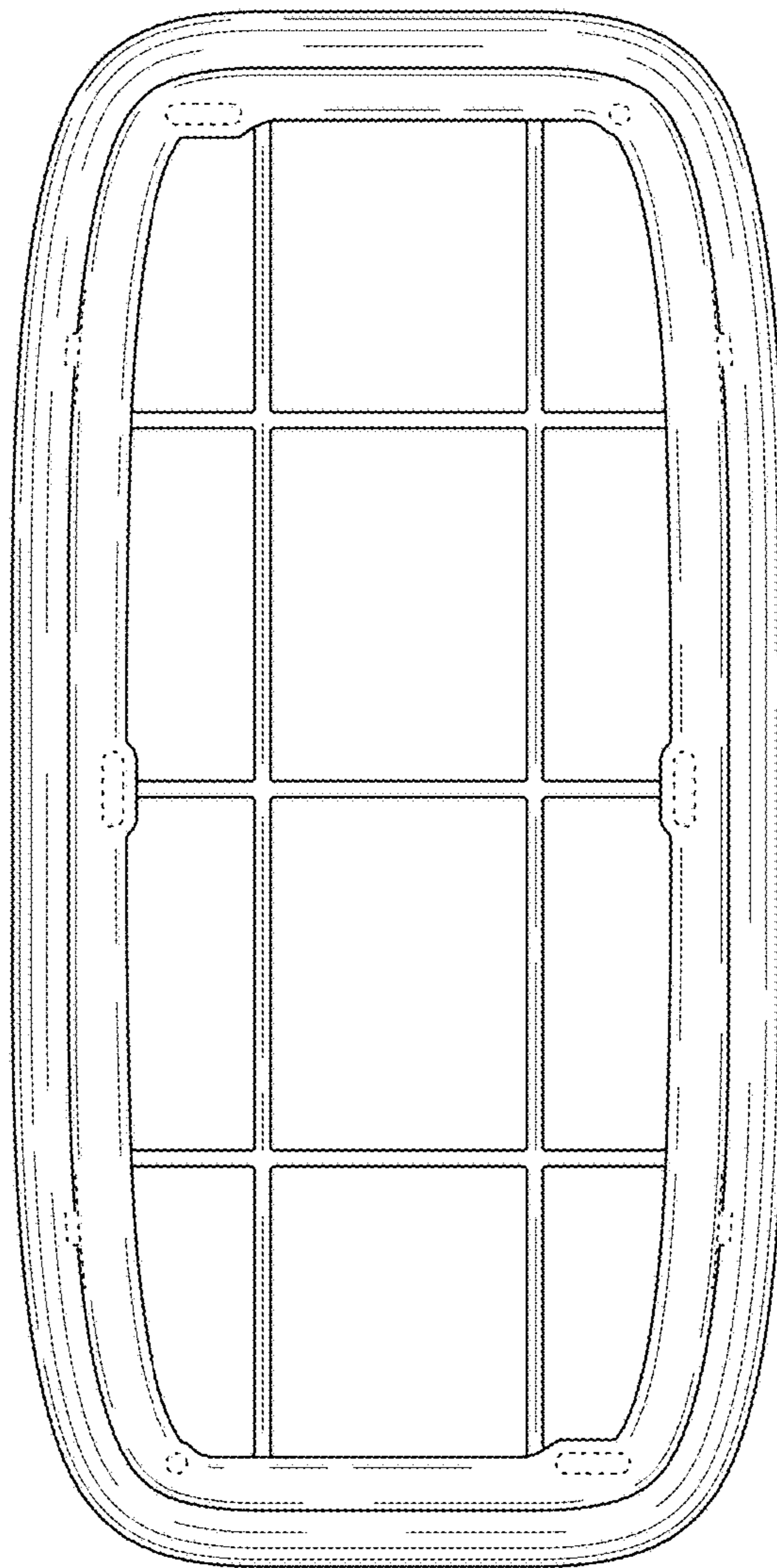


FIG. 7



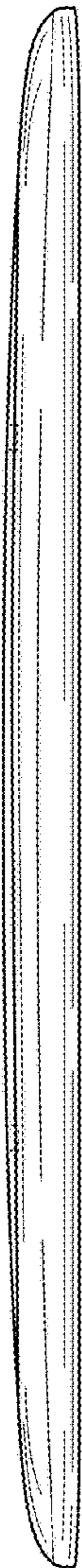


FIG. 8

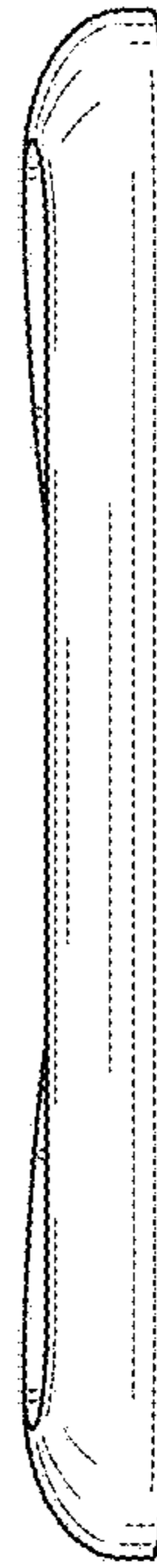


FIG. 9

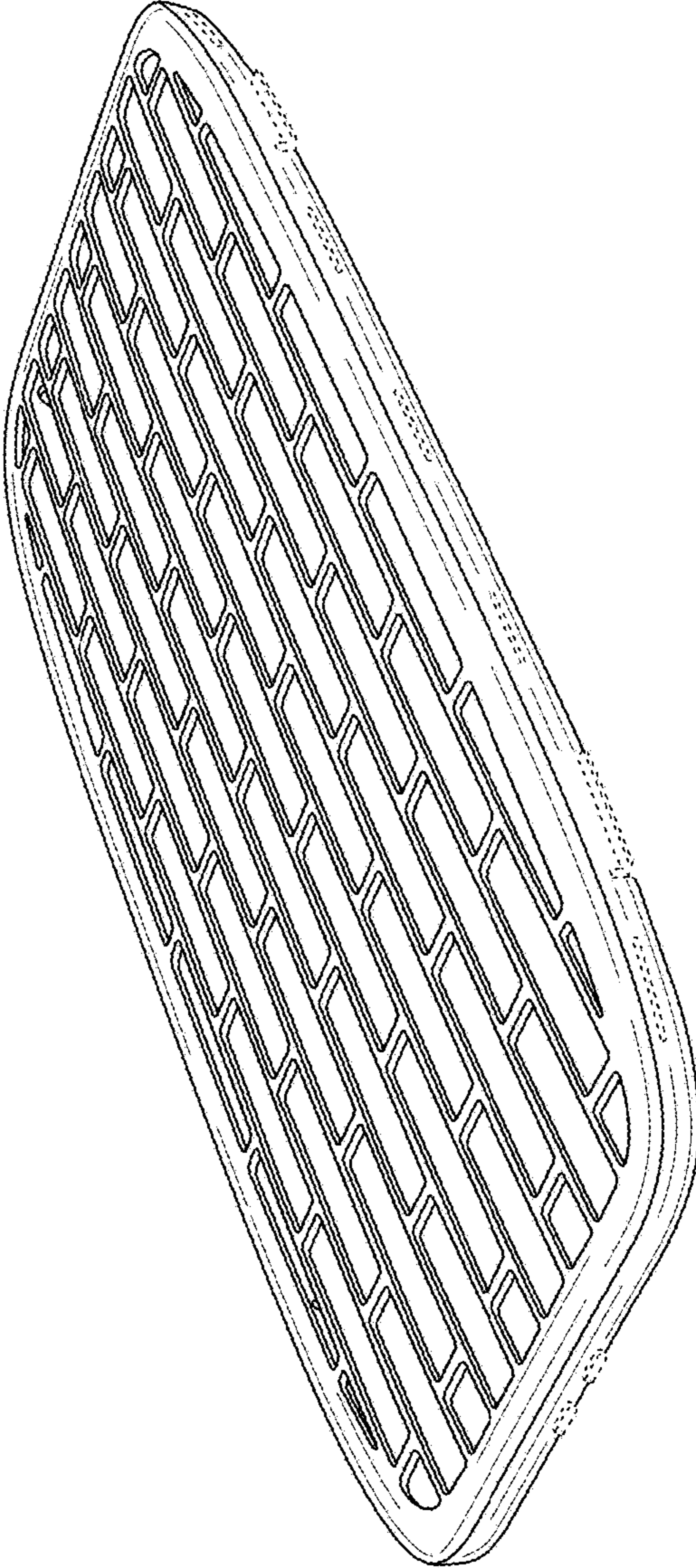


FIG. 10

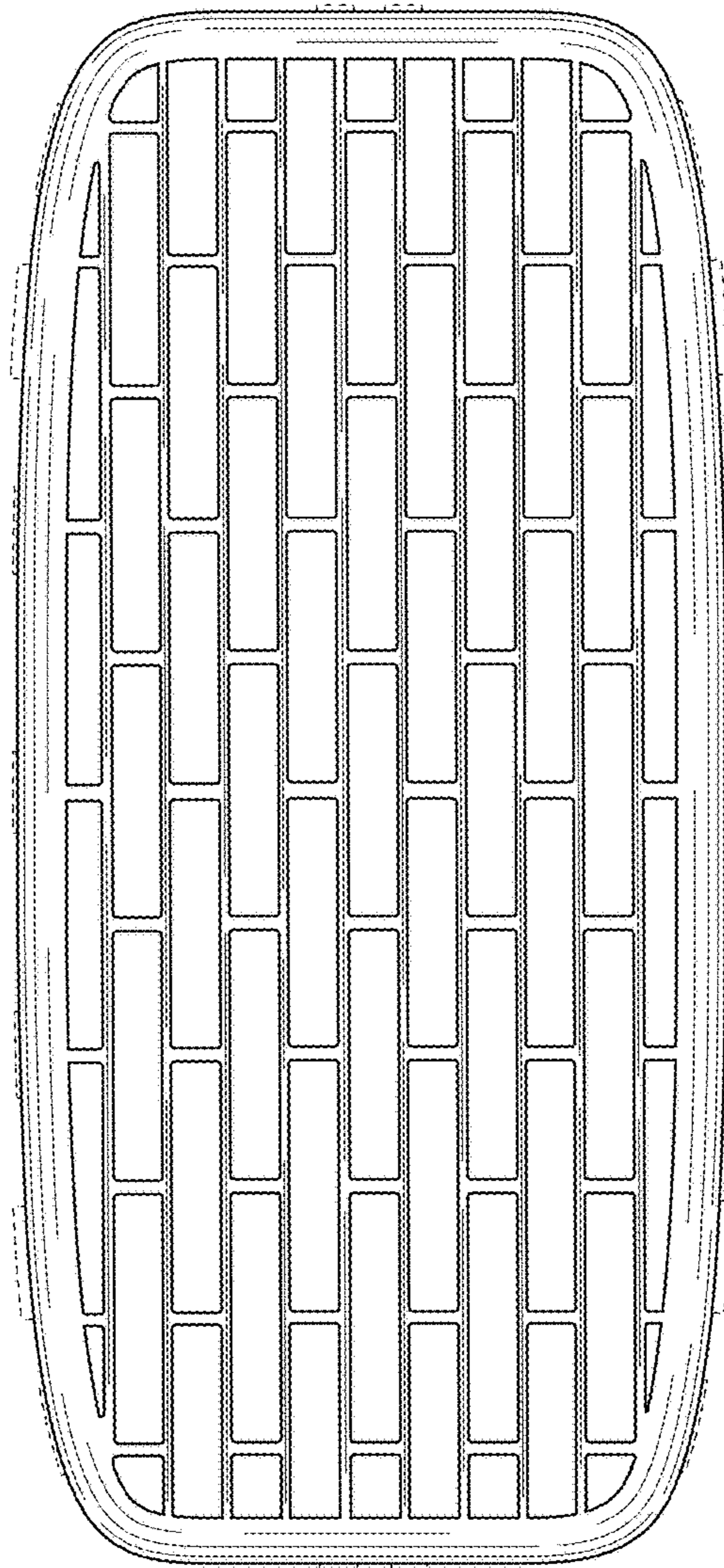


FIG. 11



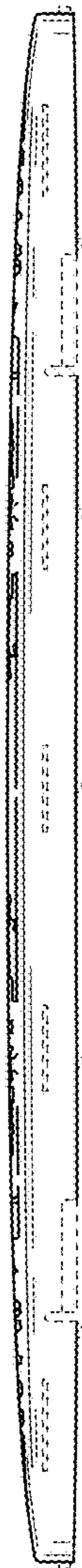


FIG. 12



FIG. 13