



US00D848598S

(12) **United States Design Patent**
Gajewski

(10) **Patent No.:** **US D848,598 S**

(45) **Date of Patent:** **** May 14, 2019**

(54) **CEILING FAN**

(71) Applicant: **Minka Lighting, Inc.**, Corona, CA
(US)

(72) Inventor: **Mark Gajewski**, Henderson, NV (US)

(73) Assignee: **Minka Lighting, Inc.**, Corona, CA
(US)

(**) Term: **15 Years**

(21) Appl. No.: **29/634,495**

(22) Filed: **Jan. 22, 2018**

Related U.S. Application Data

(63) Continuation of application No. 29/586,730, filed on
Dec. 6, 2016, now Pat. No. Des. 808,509.

(51) **LOC (11) Cl.** **23-04**

(52) **U.S. Cl.**
USPC **D23/370; D23/380; D23/385; D26/59**

(58) **Field of Classification Search**
USPC **D23/370–385, 411–414; D26/59**
(Continued)

(56) **References Cited**

U.S. PATENT DOCUMENTS

D485,608 S 1/2004 Chen
D489,443 S 5/2004 Gajewski
(Continued)

FOREIGN PATENT DOCUMENTS

AU 201614007 S 7/2016
EM 003312974-0001 S 8/2016

OTHER PUBLICATIONS

“Metropolitan Ceiling Fan by Gulf Coast,” [online] [Retrieved Oct.
3, 2016] [web.archive.org/web/20150402172357http://www.
modernfanoutlet.com/gulf-coast-metropolitan-wb_html](http://web.archive.org/web/20150402172357http://www.modernfanoutlet.com/gulf-coast-metropolitan-wb_html). Published Apr.
12, 2015.

(Continued)

Primary Examiner — Cathron C Brooks

Assistant Examiner — Sharon S Oum

(74) *Attorney, Agent, or Firm* — Joseph R. Lanser;
Seyfarth Shaw LLP

(57) **CLAIM**

The ornamental design for a ceiling fan, as shown and
described.

DESCRIPTION

FIG. 1 is a perspective view of a ceiling fan in accordance
with my design, wherein a side fan is in a first position;

FIG. 2 is a side elevation view of the ceiling fan in
accordance with my design, wherein the side fan is in a
second position;

FIG. 3 is a side elevation view of the ceiling fan in
accordance with my design, wherein the side fan is in the
first position;

FIG. 4 is a side elevation view of the ceiling fan in
accordance with my design, wherein the side fan is in a third
position;

FIG. 5 is a bottom plan view of the ceiling fan in accordance
with my design, wherein the side fan is in the first position;

FIG. 6 is a bottom plan view of the ceiling fan in accordance
with my design, wherein the side fan is in the first position;

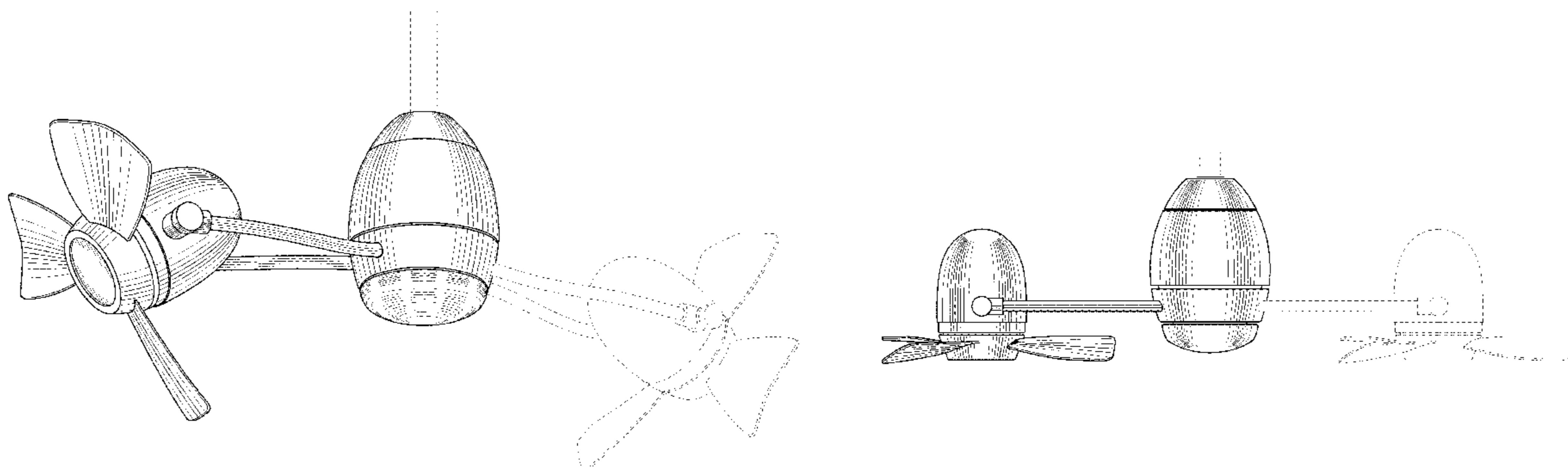
FIG. 7 is a front elevation view of the ceiling fan in
accordance with my design, wherein the side fan is in the
first position; and,

FIG. 8 is a rear elevation view of the ceiling fan in
accordance with my design, wherein the side fan is in the
first position.

The broken-line disclosure of elements is understood to
illustrate portions of the article in which the design is
embodied, but which form no part of the claimed design.

The lighter and closely spaced lines in the drawings are
surface shading and are not surface ornamentation.

1 Claim, 5 Drawing Sheets



(58) **Field of Classification Search**
 CPC F04D 25/088; F21V 33/0096
 See application file for complete search history.

(56) **References Cited**

U.S. PATENT DOCUMENTS

D490,146 S	5/2004	Gajewski	
6,817,830 B1 *	11/2004	Chen	F04D 25/166 415/60
D506,002 S	6/2005	Chen	
6,913,443 B2 *	7/2005	Chen	F04D 25/088 416/100
D508,120 S	8/2005	Chen	
D519,204 S	4/2006	Spina	
D519,625 S	4/2006	Young	
7,077,629 B2 *	7/2006	Chen	F04D 25/088 416/110
D717,934 S	11/2014	Chen	
D783,145 S *	4/2017	Wang	D23/411
D799,667 S *	10/2017	Wang	D23/377
D808,509 S *	1/2018	Gajewski	D23/377
2003/0210982 A1	11/2003	Chen	
2004/0081564 A1	4/2004	Chen	
2004/0191066 A1	9/2004	Chen	
2004/0247427 A1	12/2004	Chen	
2006/0029498 A1	2/2006	Chen	

OTHER PUBLICATIONS

“Savoy House Circulaire Ceiling Fan,” [online] [Retrieved Oct. 3, 2016] web.archive.org/web/20150202024834/http://www.savoyhouse.com/Circulaire-Ceiling-Fan-50-950-CA-SN.html. Published Feb. 2, 2015.

“Matthews Fan Co Atlas Kaye {Wall Mounted Fan} Model,” [online] [Retrieve Oct. 3, 2016] [web.archive.org/web/20120815151802/http://fwww.ylighting.com/matthews-fan-kaye-wall-fan.html](http://fwww.ylighting.com/matthews-fan-kaye-wall-fan.html) Published Aug. 15, 2012.

“Minka Aire Gyro Traditional Ceiling Fan,” [online] [Retrieved Oct. 3, 2016] web.archive.org/web/20150908013731/http://www.minkagroup.net/products/f502-bcw Published Aug. 30, 2014.

“Savoy House Circulaire 3 Headed Ceiling Fan,” [online] [Retrieved Oct. 3, 2016] web.archive.org/web/20150304155303/http://fwww.savoyhouse.com/Circulaire-3-Headed-Ceiling-Fan.html Published Mar. 4, 2015.

“Matthews Fan Co Vent-Bettina Metal Ceiling Fan Model,” [online] [Retrieved Oct. 4, 2016] web.archive.org/web/20120903021503/http://www.hansenwholesale.com/ceilingfans/matthewsfanco/model.asp?ProdNo=VB-CR-MTL. Published Sep. 3, 2012.

“Minka Aire Gyrette Ceiling Fan Model,” [online] [Retrieved Oct. 4, 2016] web.archive.org/web/20120806180136/http://www.farreys.com/ceilingfans/minkaaire/gyretteF302-BN.html Published Aug. 6, 2012.

“Craftmade Bellows IV {Wall Mounted Fan} Model,” [online] [Retrieved Oct. 4, 2016] web.archive.org/web/20160324044808/http://www.craftmade.com/Craftmade-Bellows-iv-v16.htm Published Mar. 24, 2016.

“Savoy House Sleep Floor Fan (Pedestal Fan) Model,” [online]. [Retrieved Oct. 4, 2016]. web.archive.org/web/20141123144846/http://www.bedbathandbeyond.com/store/product/savoy-house-19-inch-3-speed-floor-pedestal-sleep-fan/3258382? Published Nov. 23, 2014.

“Savoy House Skyy Wall Fan (Wall Mounted Fan) Model,” [online]. [Retrieved Oct. 4, 2016]. web.archive.org/web/20140915205153/http://www.savoyhouse.com/Skyy-Waii-Fan.html. Published Sep. 15, 2014.

“Craftmade Dane Ceiling Fan Model,” [online]. [Retrieved Oct. 4, 2016]. web.archive.org/web/20141031080103/http://www.lampsplus.com/products/30-inch-craftmade-dane-stainless-steel-ceiling-fan_6c705.html. Published Oct. 31, 2014.

“Quorum Bronx Patio Ceiling Fan Model,” [online]. [Retrieved Oct. 4, 2016]. web.archive.org/web/20140113133352/http://www.lumens.com/bronx-patio-ceiling-fan-by-quorum-international-uu455837.html. Published Jan. 13, 2014.

“Emerson Curva 44 Ceiling Fan Model,” [online]. [Retrieved Oct. 4, 2016]. web.archive.org/web/20151017235758/http://ceilingfans.emerson.com/shop/en/fan/44-curva-fan-p-cf244? Published Oct. 17, 2015.

“Quorum Muse Ceiling Fan Model,” [online]. [Retrieved Oct. 4, 2016]. web.archive.org/web/20140113131942/http://www.lumens.com/muse-ceiling-fan-by-quorum-international-uu310239.html. Published Jan. 13, 2014.

“Modern Fan Gusto Model,” [online]. [Retrieved Oct. 4, 2016]. web.archive.org/web/20140408061033/http://www.modernfan.com/products/gusto.html. Published Apr. 8, 2014.

“Montecarlo Muirfield Ceiling Fan,” [online]. [Retrieved Oct. 4, 2016]. web.archive.org/web/20110811024539/http://www.montecarlofans.com/fa1766-pg1/Muirfield-Collection.htm. Published Aug. 11, 2011.

“Modern Fan Plum Model,” [online]. [Retrieved Oct. 4, 2016]. web.archive.org/web/20140408061105/http://www.modernfan.com/products/plum.html. Published Apr. 8, 2014.

“Modern Fan Cirrus Model,” [online]. [Retrieved Oct. 4, 2016]. web.archive.org/web/20160204141156/http://www.lighting.com/modern-fan-cirrus-ceiling-fan.html. Published Feb. 4, 2016.

“Minka Aire Vintage Gyro Ceiling Fan,” [online]. [Retrieved Oct. 4, 2016]. web.archive.org/web/20140830171636/http://minkagroup.net/products/f802-orb. Published Aug. 30, 2014.

“Minka Aire Gyro Ceiling Fan,” [online]. [Retrieved Oct. 4, 2016]. web.archive.org/web/20081226150837/http://www.lampsplus.com/Products/42-inch-Minka-Aire-Gyro-Ceiling-Fan_70451.html. Published Dec. 26, 2008.

“Minka Aire Gyro Outdoor Ceiling Fan,” [online]. [Retrieved Oct. 4, 2016]. web.archive.org/web/20140805143133/http://www.lumens.com/gyro-wet-42-in.-ceiling-fan-by-minka-aire-fans-PAAAAAFCNDJACBCL.html. Published Aug. 2014.

“Matthews Fan Co. Dagny w/Wood Blades Ceiling Fan,” [online]. [Retrieved Oct. 4, 2016]. web.archive.org/web/20120815153325/http://www.ylighting.com/matthews-fan-dagny-ceiling-fan.html. Published Aug. 15, 2012.

“Matthews Fan Co. Atlas Acqua Rotational Wood Ceiling Fan,” [online] [Retrieved Oct. 4, 2016] web.archive.org/web/20120310102815/http://www.ylighting.com/matthews-fan-acqua-ceiling-fan.html. Published Mar. 10, 2012.

“Matthews Fan Co. Dagny w/Metal Blades Ceiling Fan,” [online]. [Retrieved Oct. 4, 2016]. web.archive.org/web/20120815153325/http://www.ylighting.com/matthews-fan-dagny-ceiling-fan.html. Published Aug. 15, 2012.

“Savoy House Sleep Fan Table (Table/Desk Fan) Model,” [online]. [Retrieved Oct. 4, 2016]. web.archive.org/web/20151028095203/http://www.hansenwholesale.com/ceilingfans/savoyhouse/model.asp?ProdNo=SV%2D12%DSF%2D13. Published Oct. 28, 2015.

“Craftmade Bellows III Ceiling Fan Model,” [online]. [Retrieved Oct. 4, 2016]. web.archive.org/web/20151225091221/http://www.craftmade.com/Craftmade-BW321-AG3-Bronze-Outdoor-Ceiling-Fan. HTML. Published Dec. 25, 2015.

“Craftmade Bellows II Ceiling Fan Model,” [online]. [Retrieved Oct. 4, 2016]. web.archive.org/web/20160515134443/http://www.craftmade.com/Craftmade-BW248AG6-Bronze-Outdoor-Ceiling-Fan. HTML. Published May 15, 2016.

“Craftmade Bellows I (Wall Mounted Fan) Model,” [online]. [Retrieved Oct. 4, 2016]. web.archive.org/web/20150704000333/http://www.hansenwholesale.com/ceilingfans/craftmade/model.asp?ProdNo=CF%DBW116AG3. Published Jul. 4, 2015.

“Matthews Fan Co. Atlas Melody Oscillating Wall Fan (Wall Mounted Fan) Model,” [online]. [Retrieved Oct. 4, 2016]. web.archive.org/web/20120310113427/http://www.ylighting.com/matthews-fan-melody-wall-fan.html. Published Mar. 10, 2012.

“Kichler Dual Yuree Ceiling Fan,” [online]. [Retrieved Oct. 4, 2016]. web.archive.org/web/20140724123112/http://www.kichler.com/products/product/48-inch-dual-yuree-fan-ni-310125ni.aspx. Published Jul. 24, 2014.

(56)

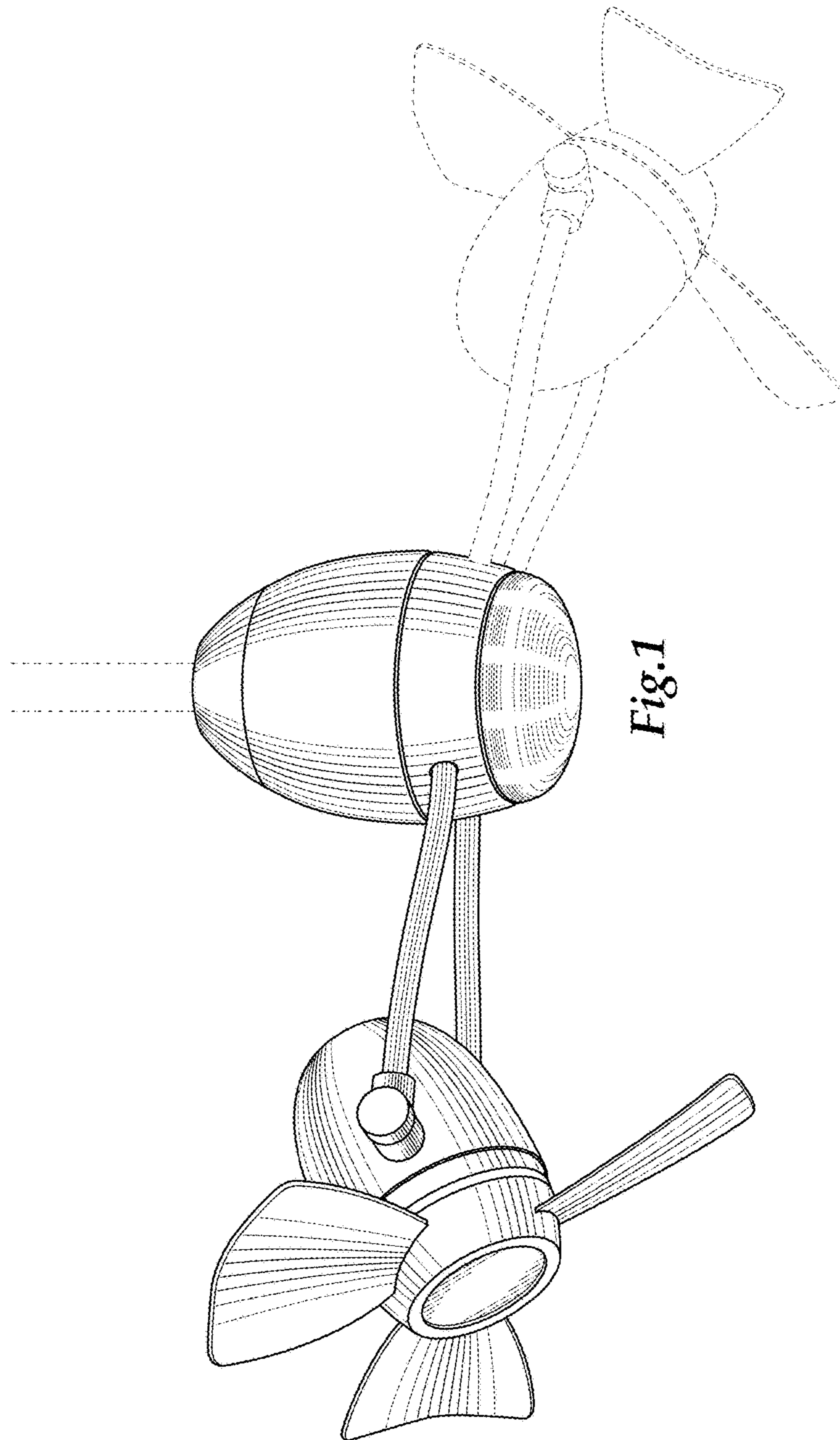
References Cited

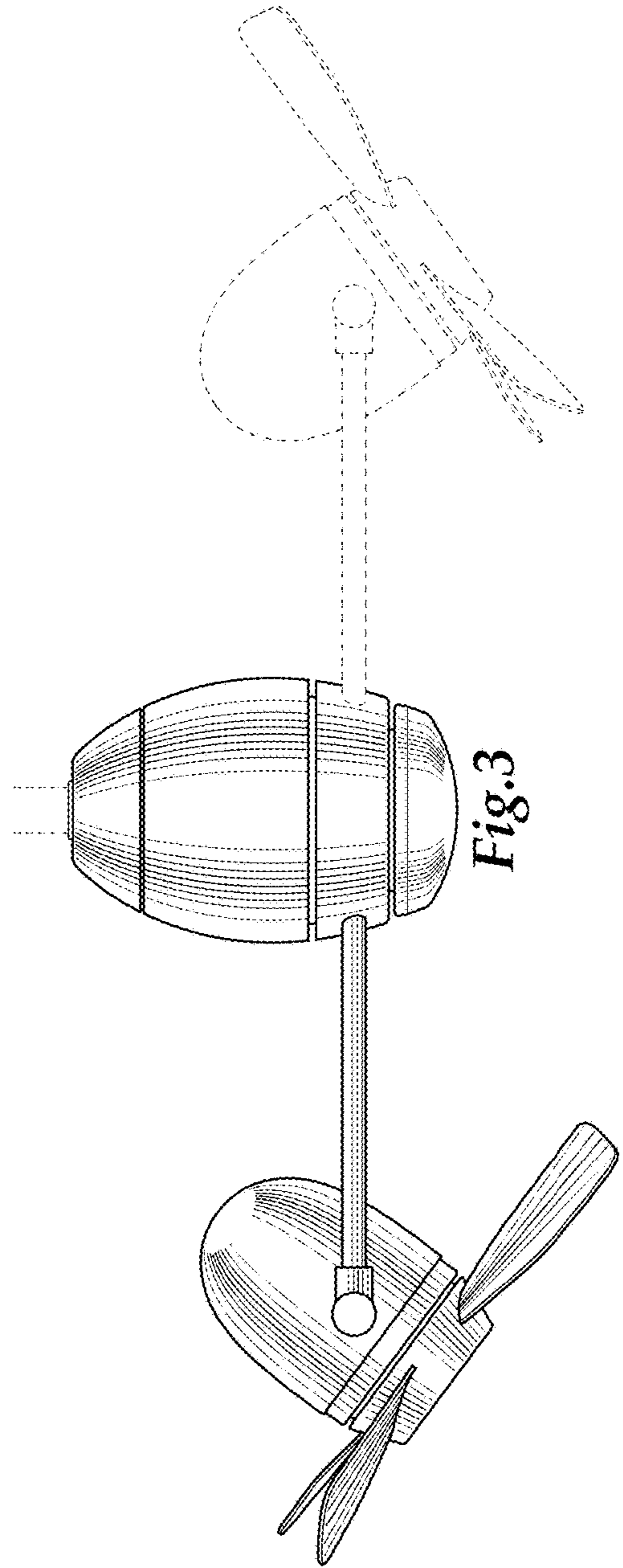
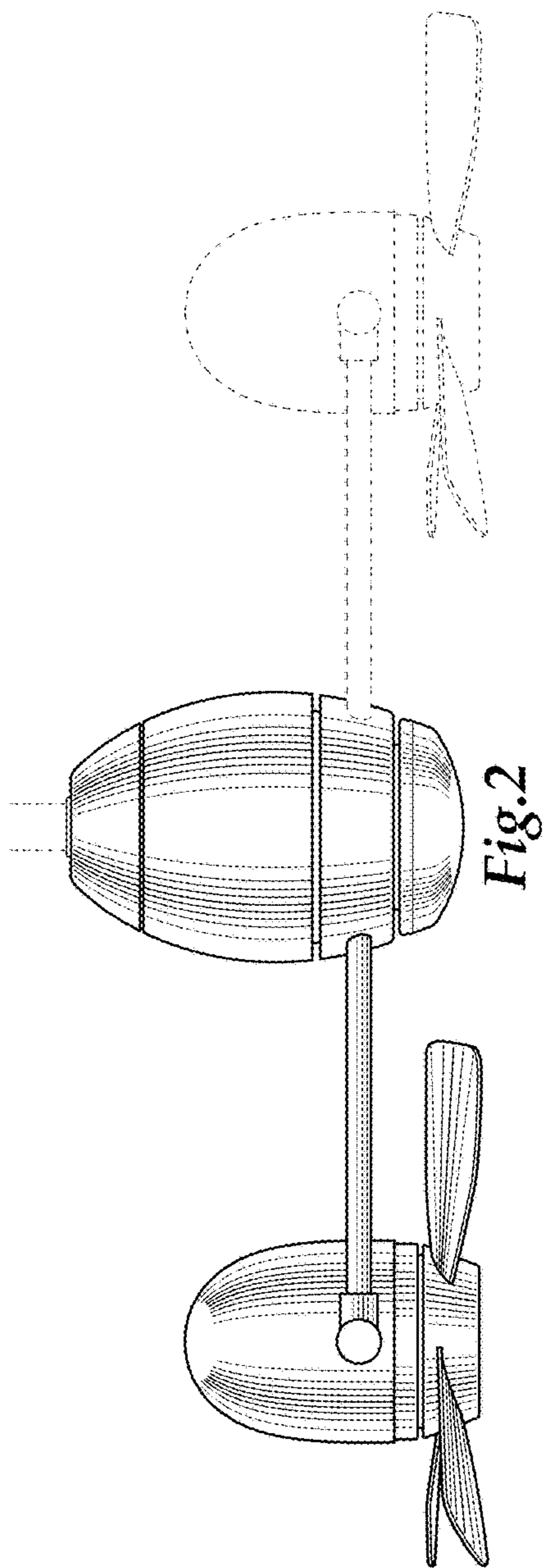
OTHER PUBLICATIONS

“Circulaire Ceiling Fan,” [online]. [Retrieved Mar. 10, 2017].
web.archive.org/web/20150202024834/http://www.savoyhouse.com/Circulaire-Ceiling-Fan-50-950-CA-SN.html. Published Feb. 2, 2015.

“Minka Aire F304L-BN/SL Gyro-42” Cage Free Ceiling Fan with Light Kit, Brushed Nickel/Silver Finish with Silver Blade Finish with Etched Opal Glass, first available Mar. 31, 2016, amazon.com, site visited Mar. 16, 2017, Copyright© 1996-2017, Available from Internet, <https://www.amazon.com/Minka-Aire-F304L-BN-SL-Gyro/dp/B01OONJRFS/ref=sr_1_1?ie=UTF8&qid=.

* cited by examiner





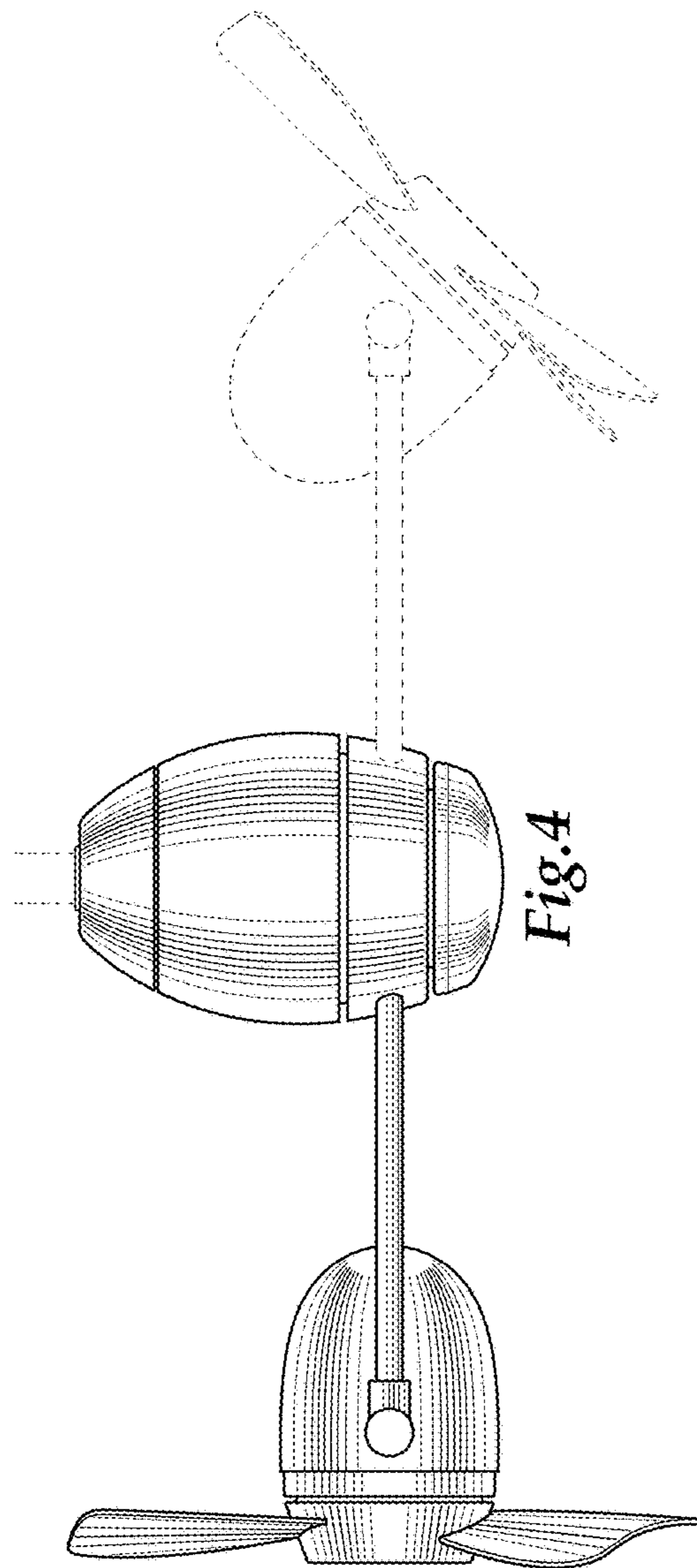
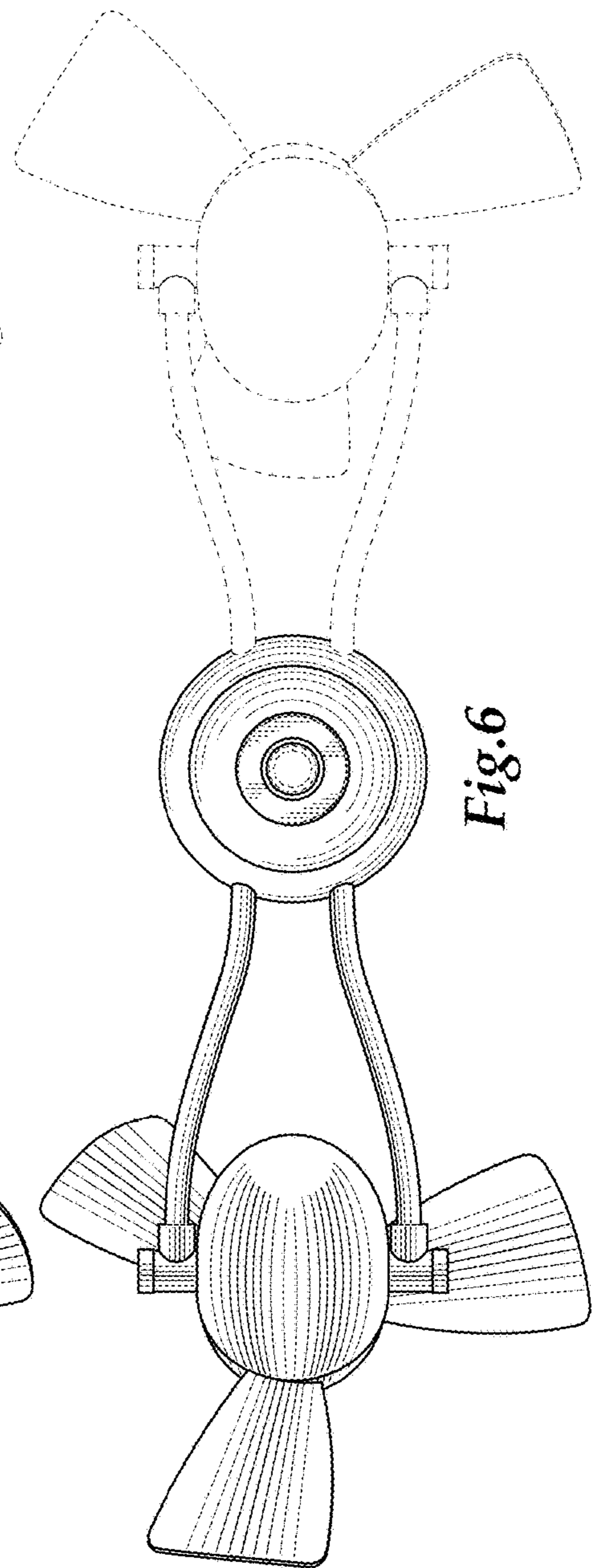
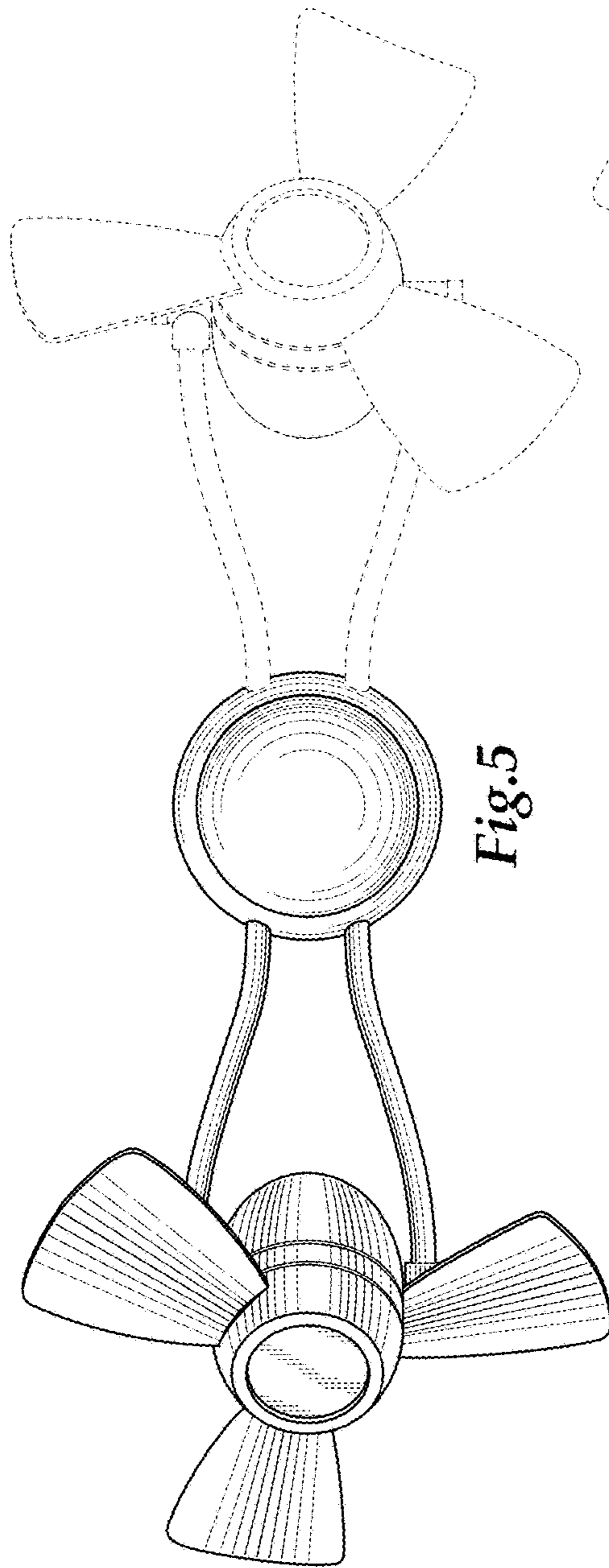


Fig. 4



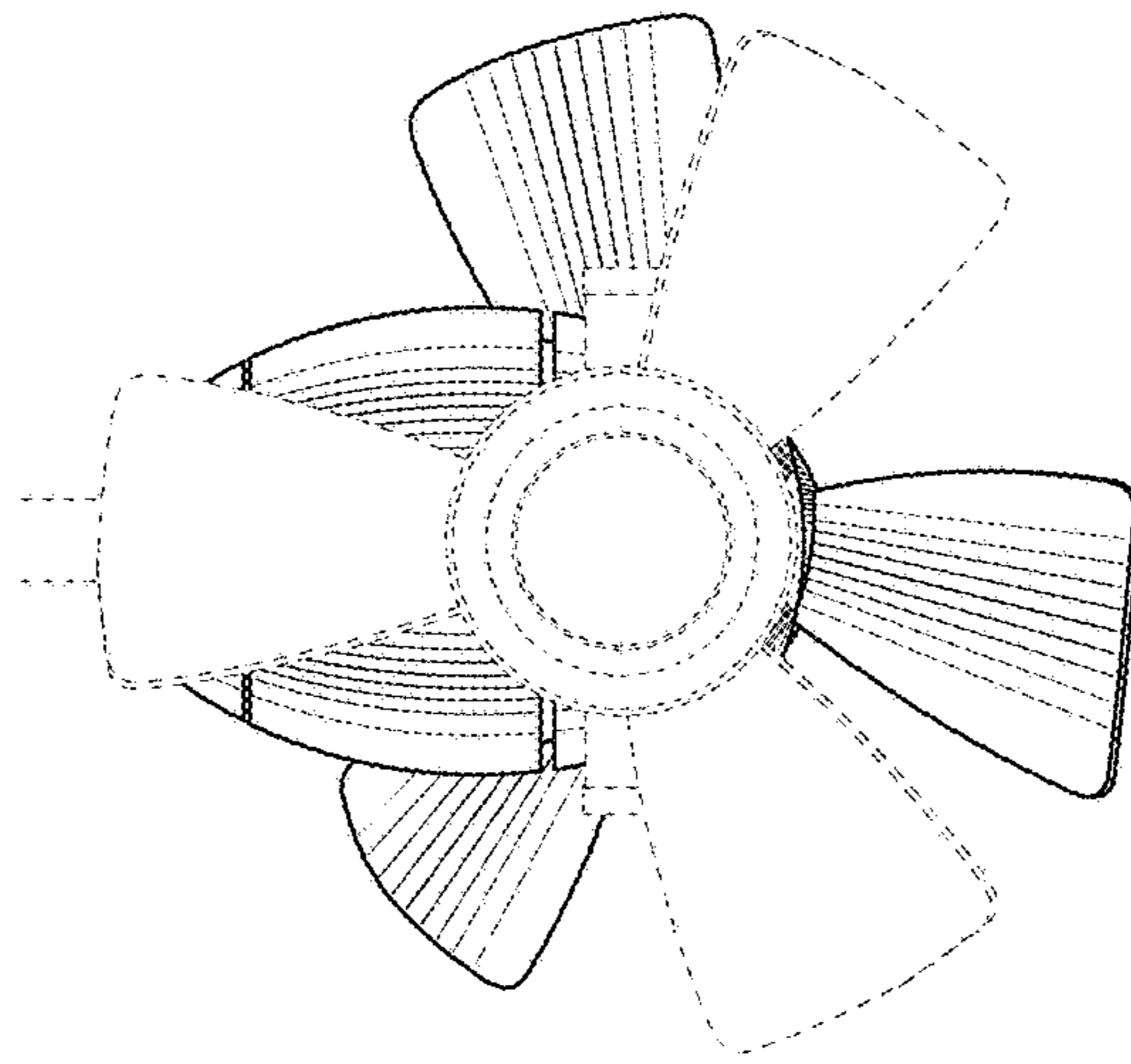


Fig.8

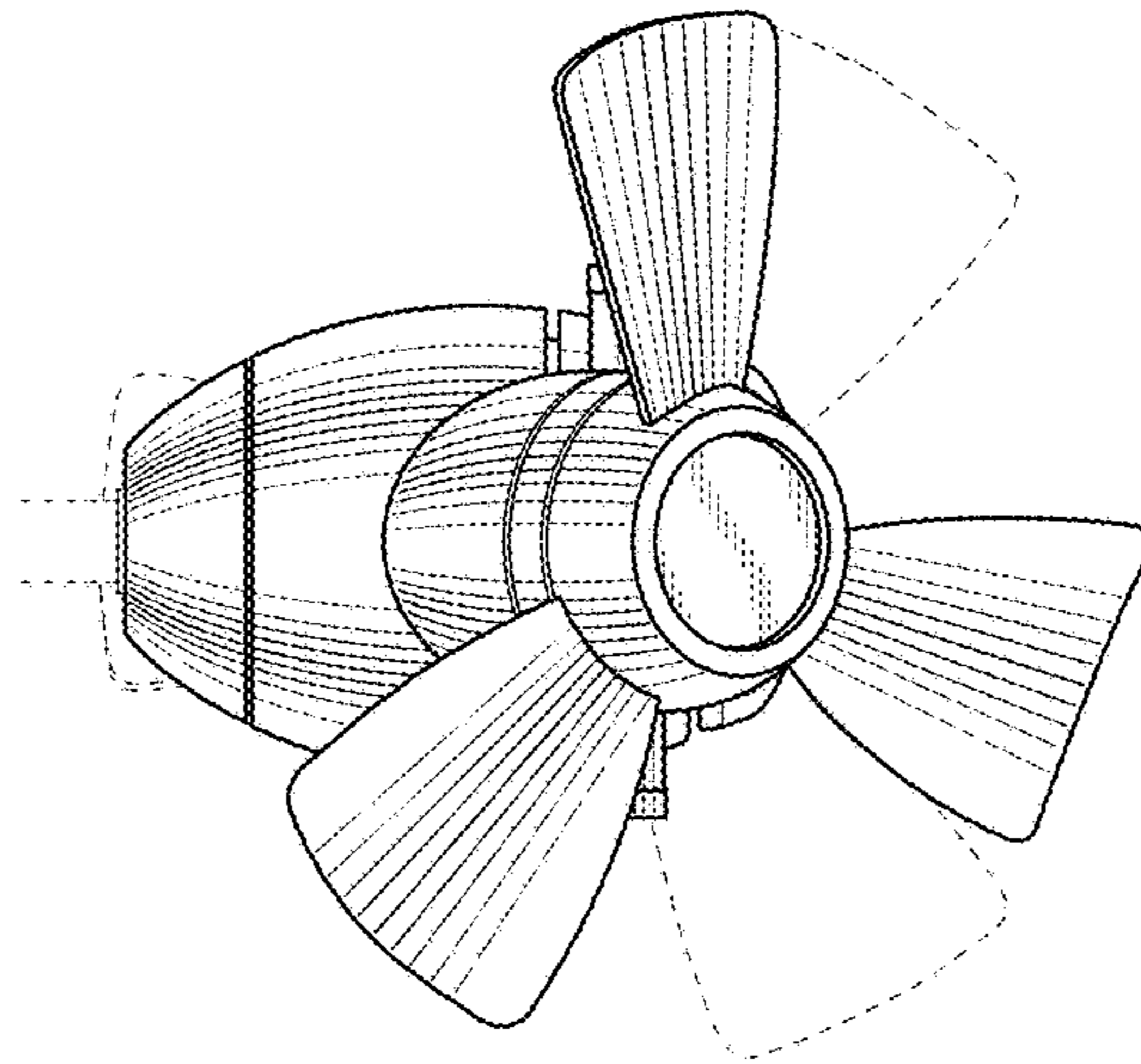


Fig.7