



US00D848594S

(12) **United States Design Patent**
Chen

(10) **Patent No.:** **US D848,594 S**

(45) **Date of Patent:** **** May 14, 2019**

(54) **PORTABLE HUMIDIFIER**

(71) Applicant: **Xiaoyan Chen**, Guangdong (CN)

(72) Inventor: **Xiaoyan Chen**, Guangdong (CN)

(**) Term: **15 Years**

(21) Appl. No.: **29/617,094**

(22) Filed: **Sep. 12, 2017**

(51) **LOC (11) Cl.** **23-04**

(52) **U.S. Cl.**

USPC **D23/356**

(58) **Field of Classification Search**

USPC D23/355-366, 352, 369, 332, 333, 335,
D23/336, 342, 351; 422/120, 122;
55/356, 473, 504; 96/97; 261/DIG. 17,
261/DIG. 65, DIG. 88, DIG. 31
CPC .. A61L 9/16; A61L 9/22; B01D 47/00; B01D
2259/4508; F24F 3/16; F24F 13/20; F24F
2001/0096; F24F 3/1405; F24F 3/1603;
F24F 13/222

See application file for complete search history.

(56) **References Cited**

U.S. PATENT DOCUMENTS

D720,064 S * 12/2014 Li D23/366
D729,918 S * 5/2015 Seo D23/356

D755,361 S * 5/2016 Osborn D23/366
D810,262 S * 2/2018 Lu D23/366
D810,909 S * 2/2018 Yu D23/366
D810,910 S * 2/2018 Yu D23/366
D811,931 S * 3/2018 Yu D11/131.1
D812,210 S * 3/2018 Tang D23/366
D814,619 S * 4/2018 Harrison D23/364
D815,721 S * 4/2018 Hu D23/366

* cited by examiner

Primary Examiner — David G Muller

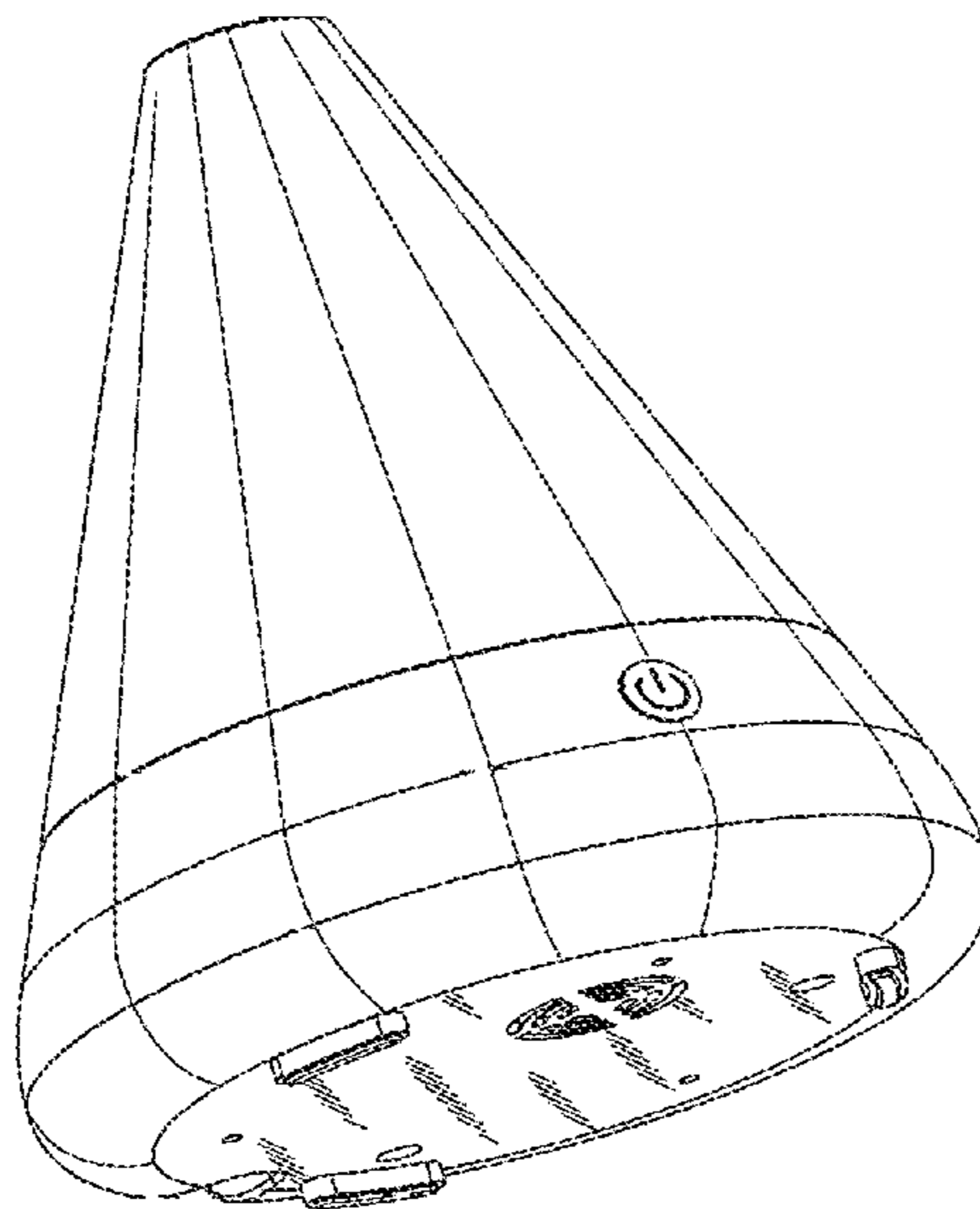
(57) **CLAIM**

The ornamental design for portable humidifier, as shown and described.

DESCRIPTION

FIG. 1 is a perspective view of portable humidifier showing my new design;
FIG. 2 is a front elevational view thereof;
FIG. 3 is a rear elevational view thereof;
FIG. 4 is a left side elevational view thereof;
FIG. 5 is a right side elevational view thereof;
FIG. 6 is a top plan view thereof; and,
FIG. 7 is a bottom plan view thereof.
The broken lines shown depict environment that forms no part of the claimed design.

1 Claim, 7 Drawing Sheets



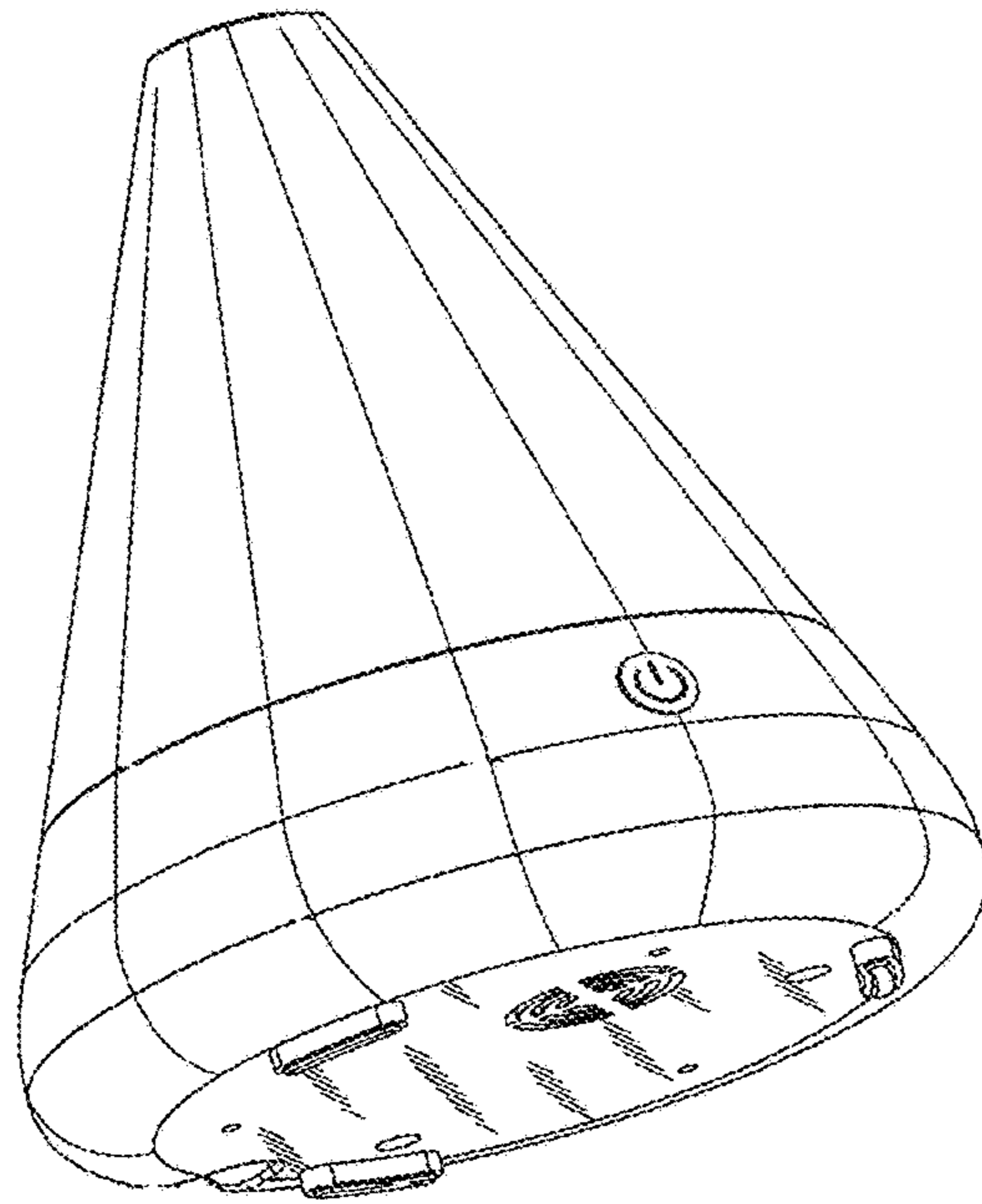


FIG. 1

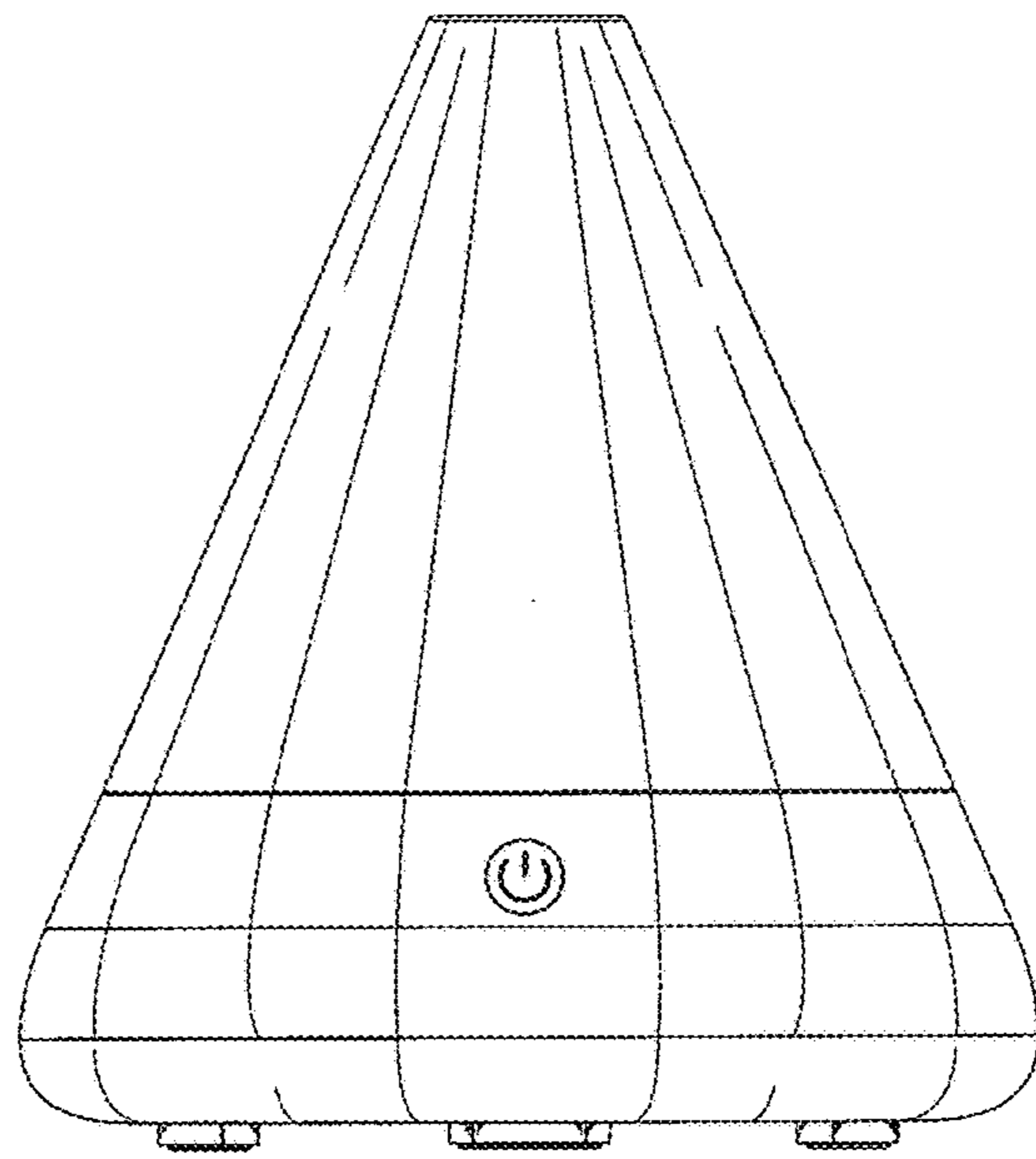


FIG. 2

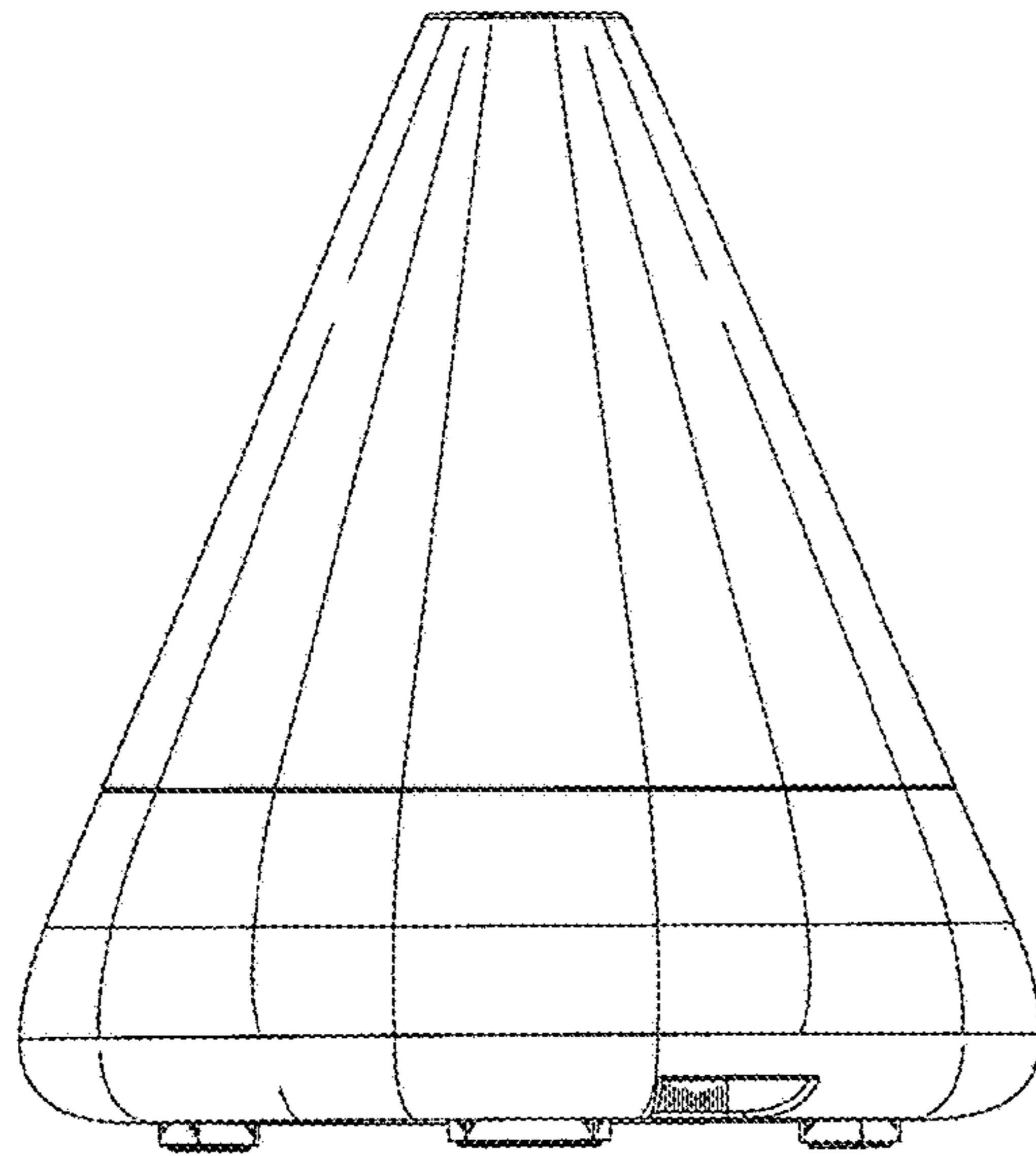


FIG. 3

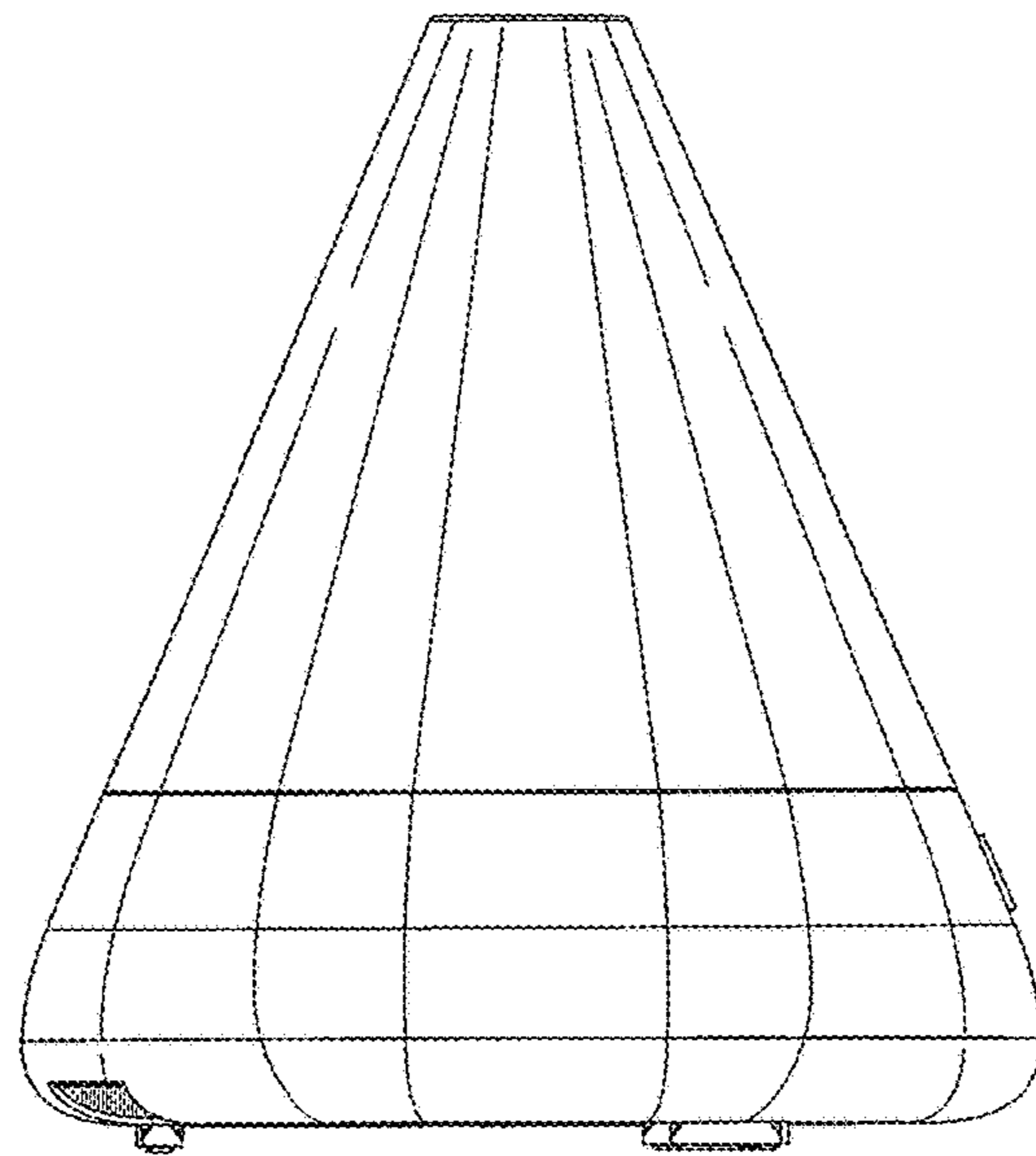


FIG. 4

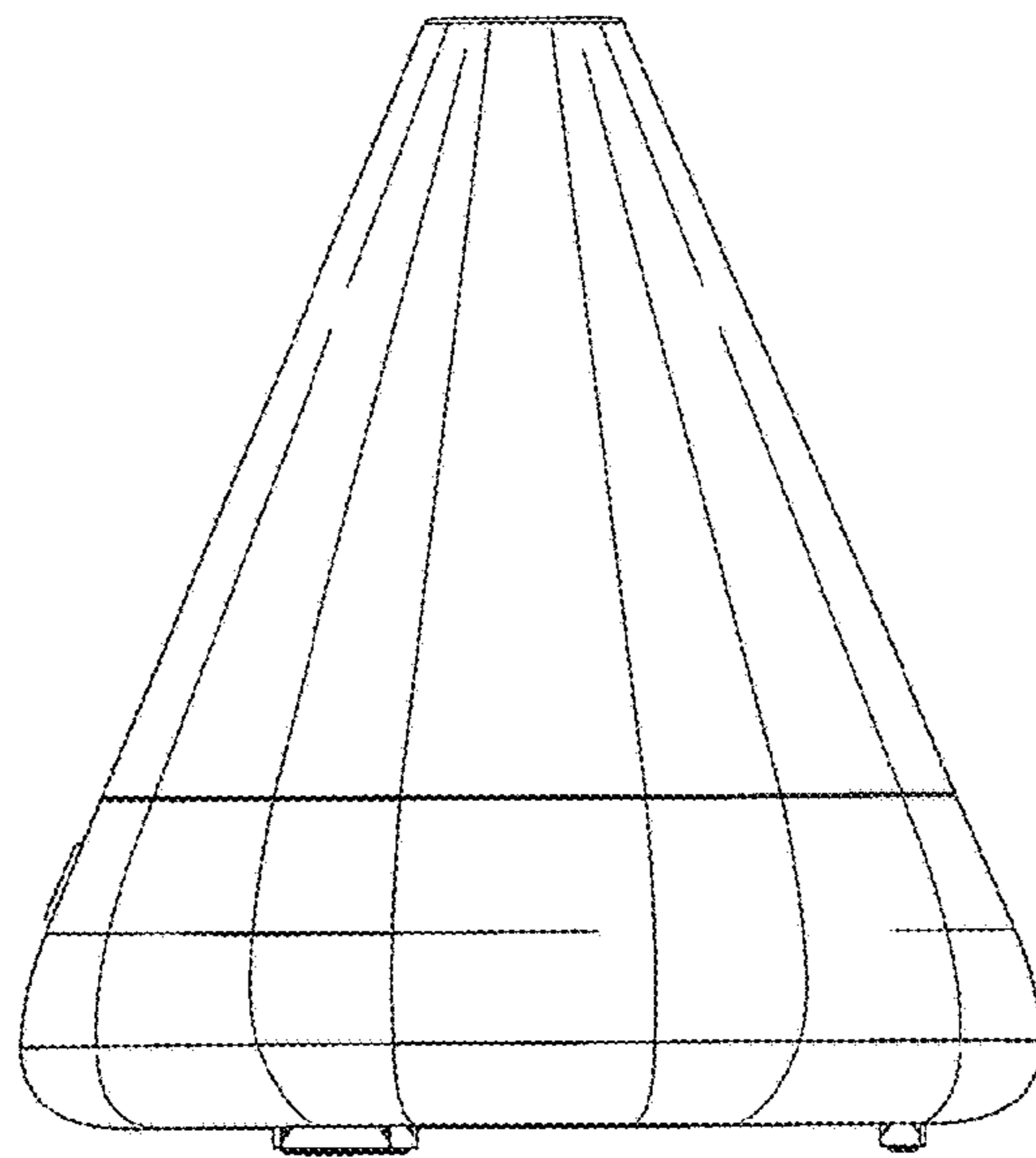


FIG. 5

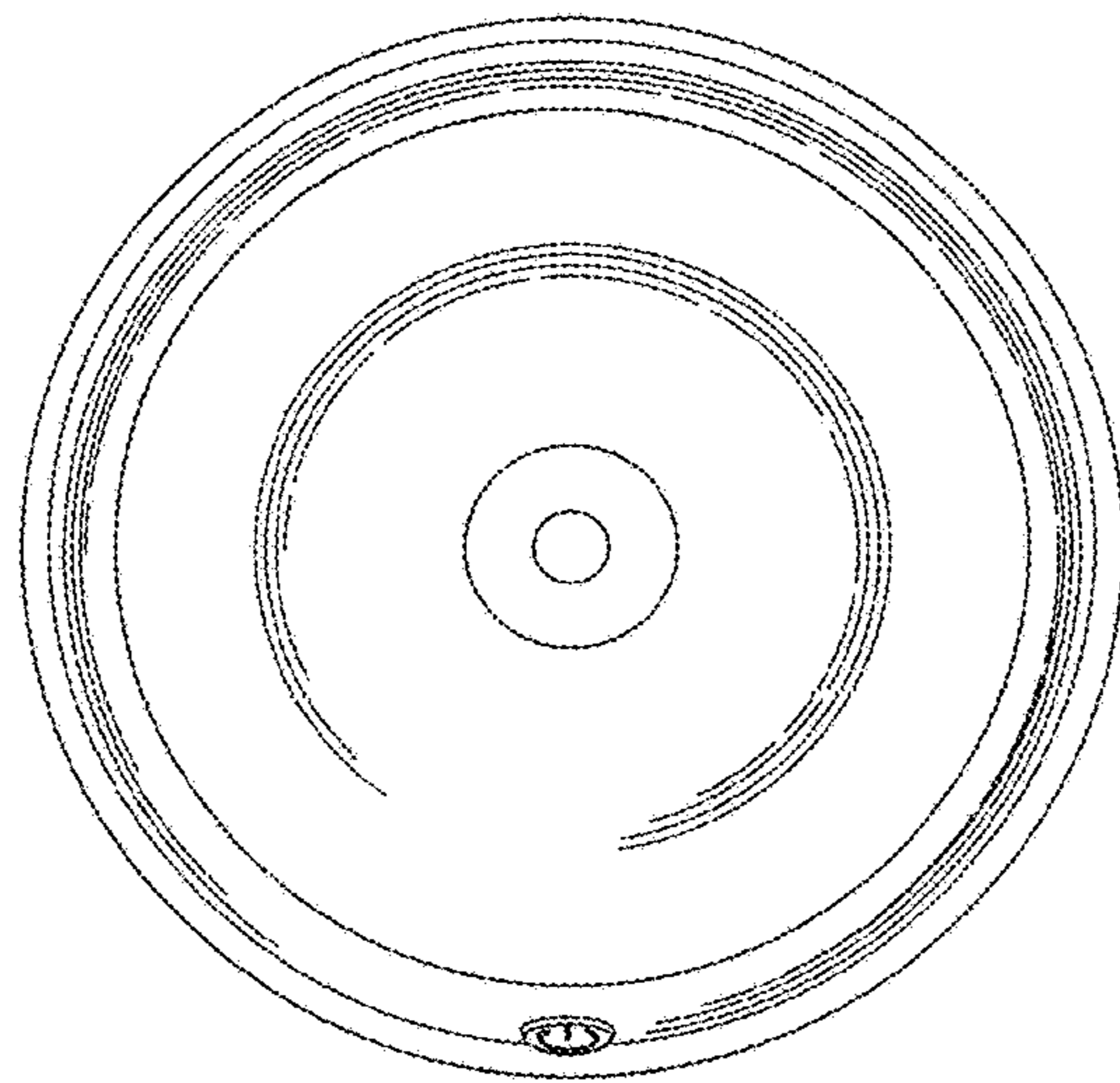


FIG. 6

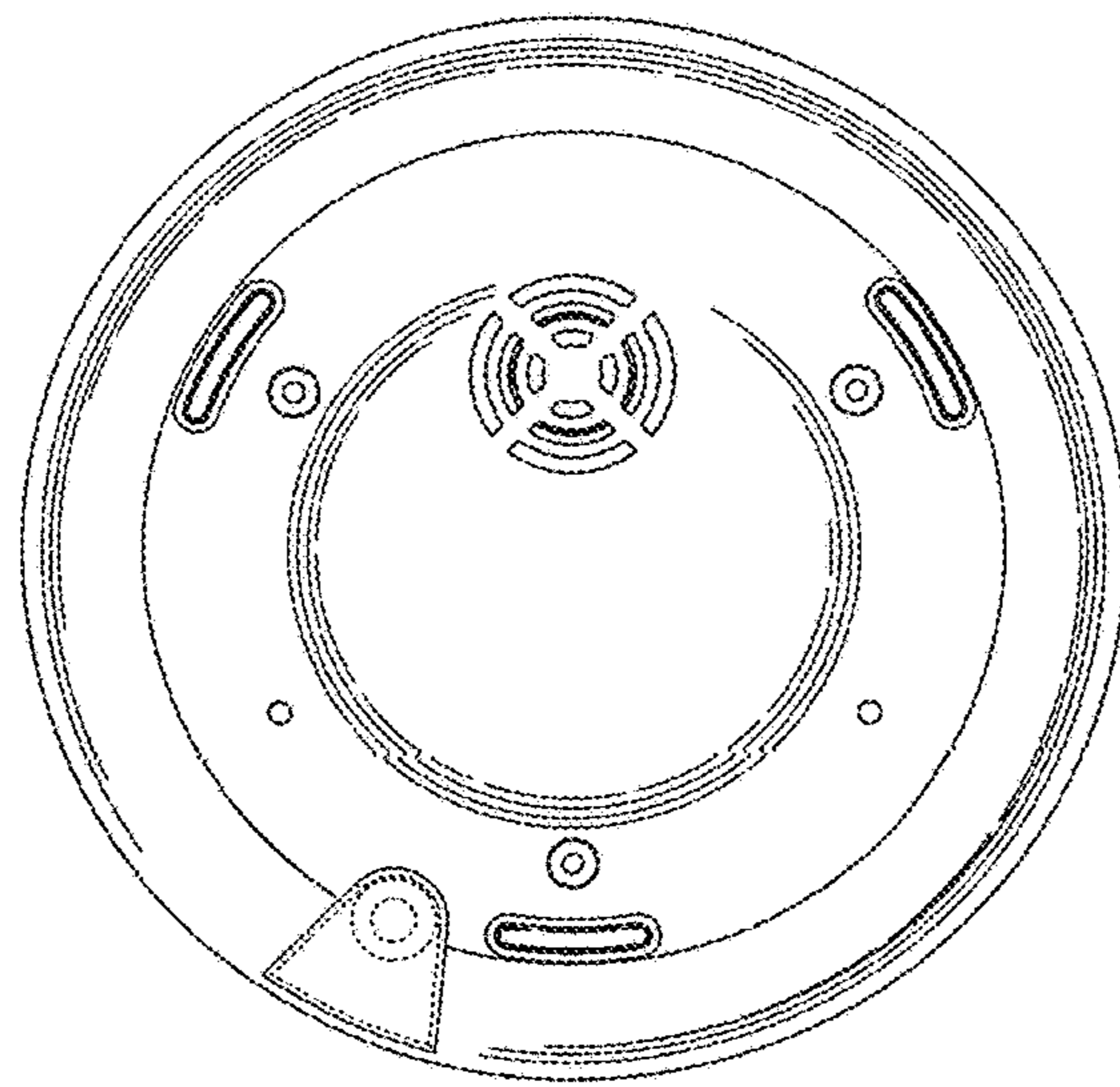


FIG. 7