



US00D848591S

(12) **United States Design Patent**  
**O'Brien Wheeler et al.**

(10) **Patent No.:** **US D848,591 S**  
(45) **Date of Patent:** **\*\* May 14, 2019**

(54) **FIRE TABLE**  
(71) Applicant: **FMI Brands Inc.**, Surrey (CA)  
(72) Inventors: **Christopher Shawn O'Brien Wheeler**,  
Burnaby (CA); **William Owen Fisher**,  
Surrey (CA)  
(73) Assignee: **FMI Brands Inc.**, Surrey, British  
Columbia (CA)

3,561,420 A \* 2/1971 Paolella ..... A47J 37/0759  
126/25 R  
4,349,713 A \* 9/1982 Marsen ..... H05B 6/766  
126/19 M  
4,759,276 A \* 7/1988 Segroves ..... A47J 37/0713  
126/25 R  
D299,305 S \* 1/1989 Vollborn ..... D7/332  
6,769,906 B1 \* 8/2004 Grove ..... F23D 14/28  
126/519  
D513,312 S \* 12/2005 Borowske ..... D23/342  
(Continued)

(\*\*) Term: **15 Years**

(21) Appl. No.: **29/601,535**

(22) Filed: **Apr. 24, 2017**

(30) **Foreign Application Priority Data**

Jan. 24, 2017 (CA) ..... 172644

(51) **LOC (11) Cl.** ..... **23-03**

(52) **U.S. Cl.**  
USPC ..... **D23/343**

(58) **Field of Classification Search**  
USPC ..... D6/685, 686, 687, 688, 688.11, 688.19,  
D6/689, 692, 692.2, 707, 707.2, 707.23,  
D6/708.14; D23/343  
CPC ..... A47J 37/0781; A47J 37/07; A47J 37/06;  
A47B 37/00; A47B 3/00; A47B 1/00;  
A47B 3/06; A47B 3/08; A47B 7/00;  
A47B 21/00; A47B 23/00; A47B 25/00;  
A47B 13/08; A47B 3/083; A47B 3/14;  
A47B 41/00; A47B 17/00; A47B 3/0809;  
A47B 3/0812; A47B 2013/026; A47B  
2200/03; A47B 2200/00; A47B  
2003/0821; A47C 3/045

See application file for complete search history.

(56) **References Cited**

**U.S. PATENT DOCUMENTS**

2,728,334 A \* 12/1955 Paolella ..... A47J 37/0759  
126/25 R  
3,491,744 A \* 1/1970 Von Kohorn, Jr. .... A47B 31/02  
126/25 R

**OTHER PUBLICATIONS**

Outland Fire Table, posted at Amazon.com, posted on Apr. 18, 2016,  
site visited Mar. 26, 2018. online, available from internet: [https://www.amazon.com/Outland-401-Auto-ignition-Espresso-Brown/dp/B01CPYQPEI/ref=cm\\_cr\\_ar\\_p\\_d\\_product\\_top?ie=UTF8](https://www.amazon.com/Outland-401-Auto-ignition-Espresso-Brown/dp/B01CPYQPEI/ref=cm_cr_ar_p_d_product_top?ie=UTF8).\*

(Continued)

*Primary Examiner* — Mary Ann Calabrese

*Assistant Examiner* — Catherine Ho

(74) *Attorney, Agent, or Firm* — Davis & Bujold,  
P.L.L.C.; Michael J. Bujold

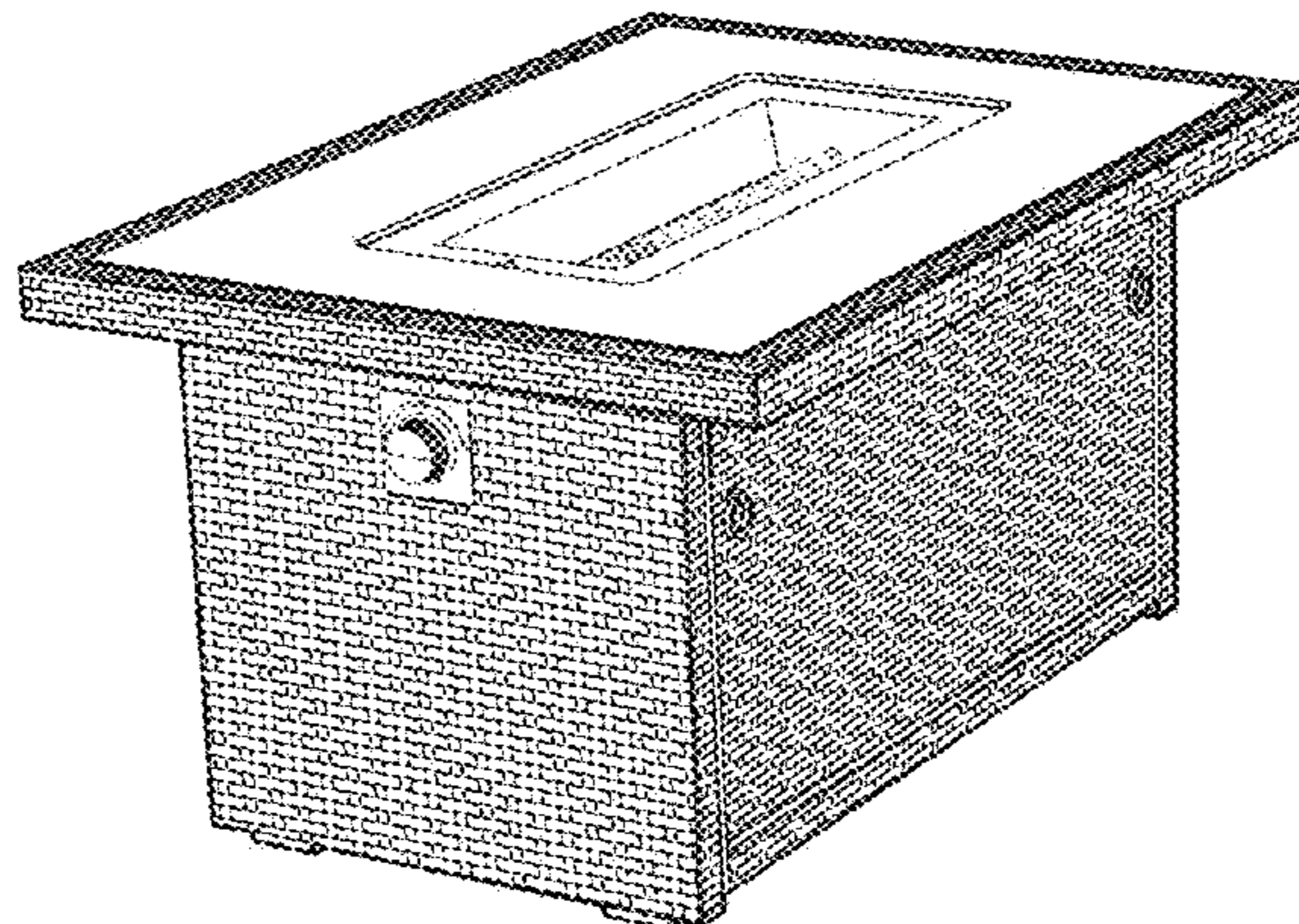
(57) **CLAIM**

We claim the ornamental design for a fire table, as shown  
and described.

**DESCRIPTION**

FIG. 1 is a front perspective view of a fire table.  
FIG. 2 is a top plan view of the fire table.  
FIG. 3 is a left side elevation view of the fire table.  
FIG. 4 is a front elevation view of the fire table.  
FIG. 5 is a right side elevation view of the fire table.  
FIG. 6 is a rear elevation view of the fire table; and,  
FIG. 7 is a bottom plan view of the fire table.  
The broken lines illustrate environmental structure that form  
no part of the claimed design.

**1 Claim, 7 Drawing Sheets**



(56)

**References Cited**

U.S. PATENT DOCUMENTS

D513,796 S \* 1/2006 Borowske ..... D23/343  
8,607,776 B2 \* 12/2013 Jansson ..... A47J 37/0704  
126/25 AA  
D698,908 S \* 2/2014 Krieger ..... D23/314  
D723,147 S \* 2/2015 Lawrence ..... D23/343

OTHER PUBLICATIONS

<http://www.woodlanddirect.com/Outdoor/Fire-Pit-Specials/Montego-Gas-Fire-Pit-Coffee-Table-Brown>, Montego Gas Fire Pit Coffee Table—Brown, Item #: 27001054.

<http://www.woodlanddirect.com>, Key Largo Linear Gas Fire Pit—Stainless Steel—42" Linear Burner w/Manual Spark Ignition, Item #: 27000280.

<http://shop.firesense.com/products/61898>, Longmont Extruded Aluminum Rectangular LPG Fire Pit, Item #: 61898.

<http://www.themine.com/fire-pits/az-patio-heaters-wlf-ltc-square-fire-pit-with-slate-table-g2656864.html>, AZ Patio Heaters WLF-LTC Square Fire Pit with Slate Table, Model #: WLF-LTC.

<http://www.homedepot.com/p/AZ-Patio-Heaters-49-5-in-Rectangle-Slatted-Aluminum-Firepit-in-Bronze-FS-1010-T-12>, 49.5 in. Rectangle Slatted Aluminum Firepit in Bronze, Model #: FS-1010-T-12.

\* cited by examiner

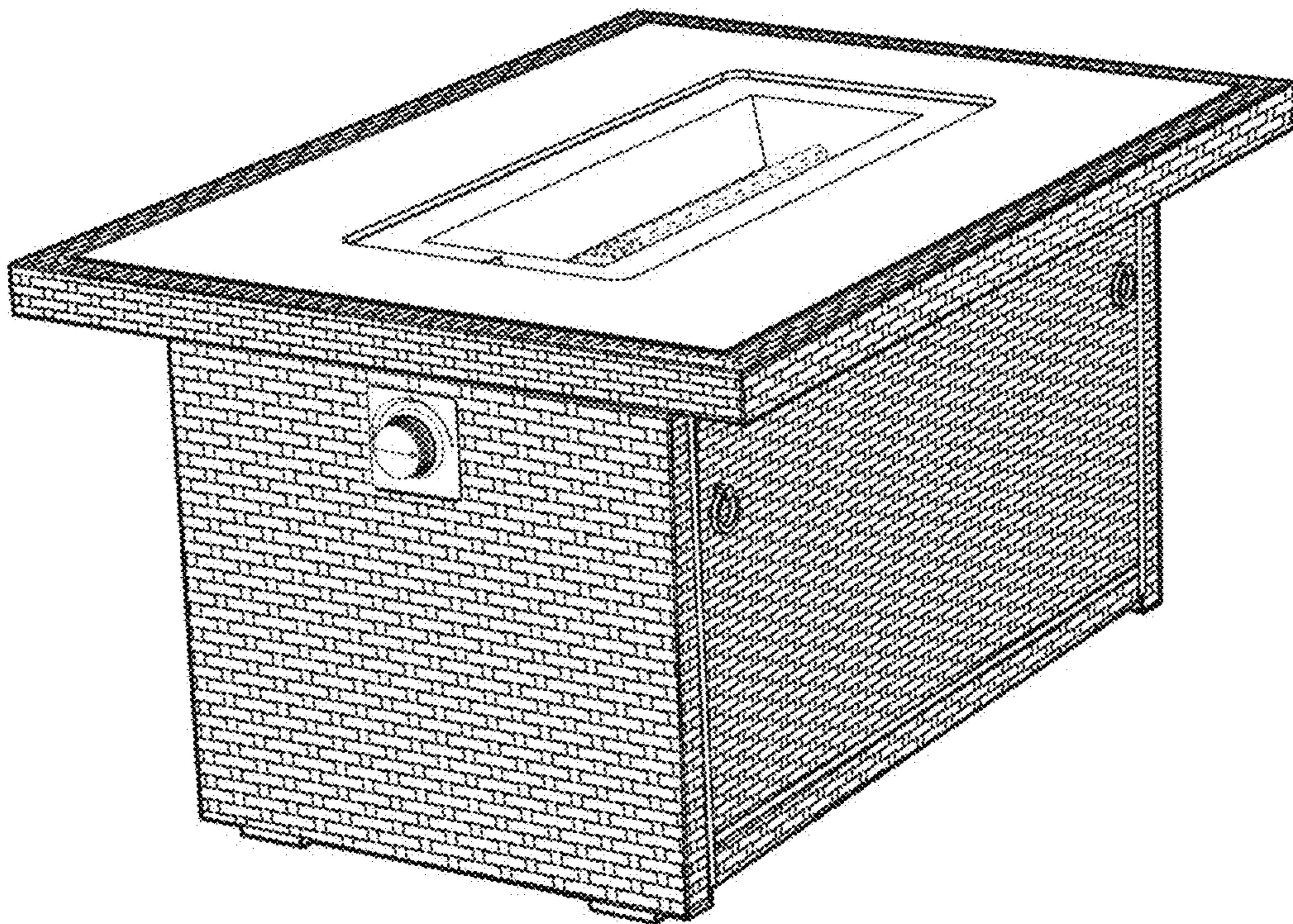


FIG 1

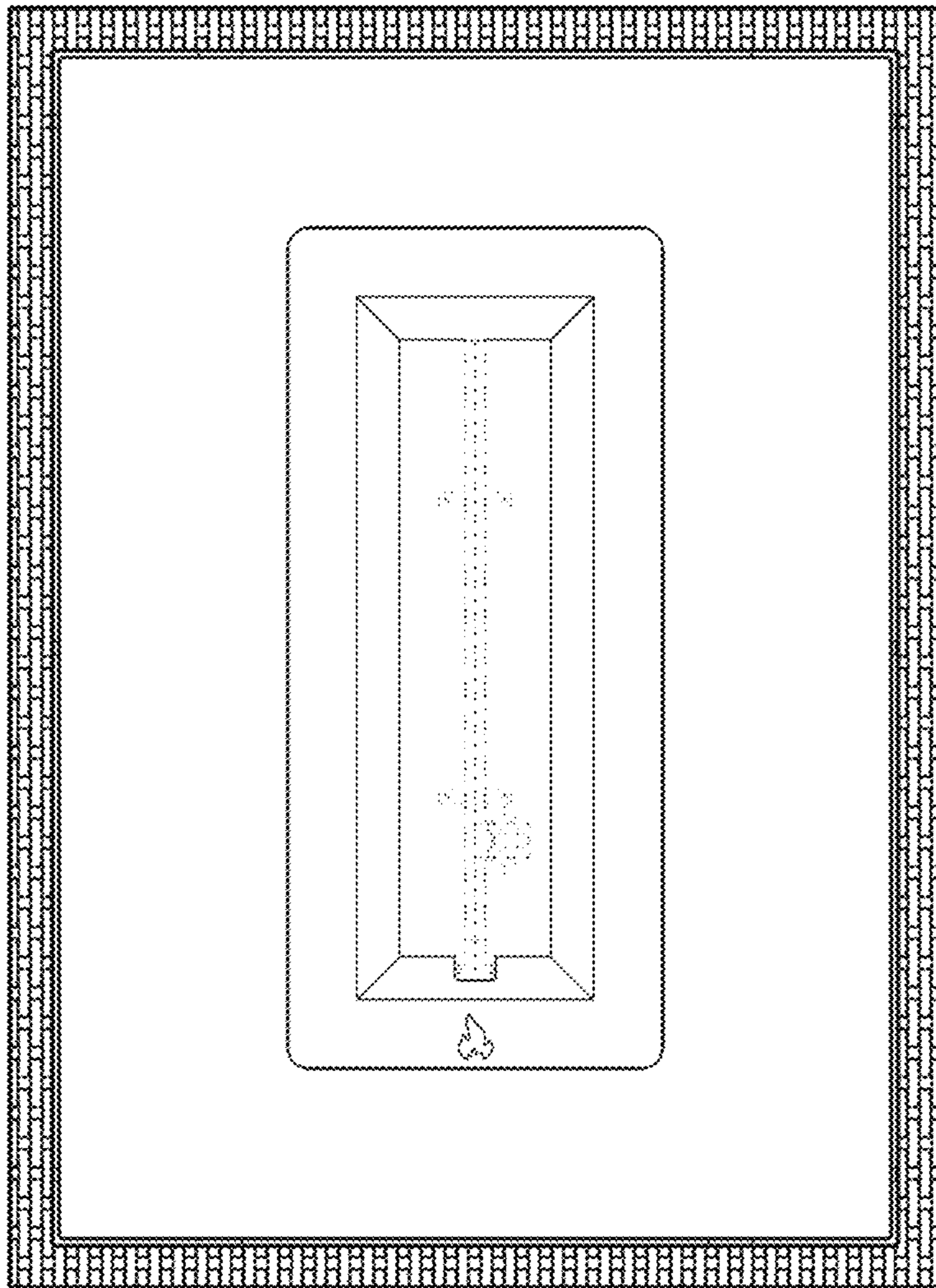


FIG 2

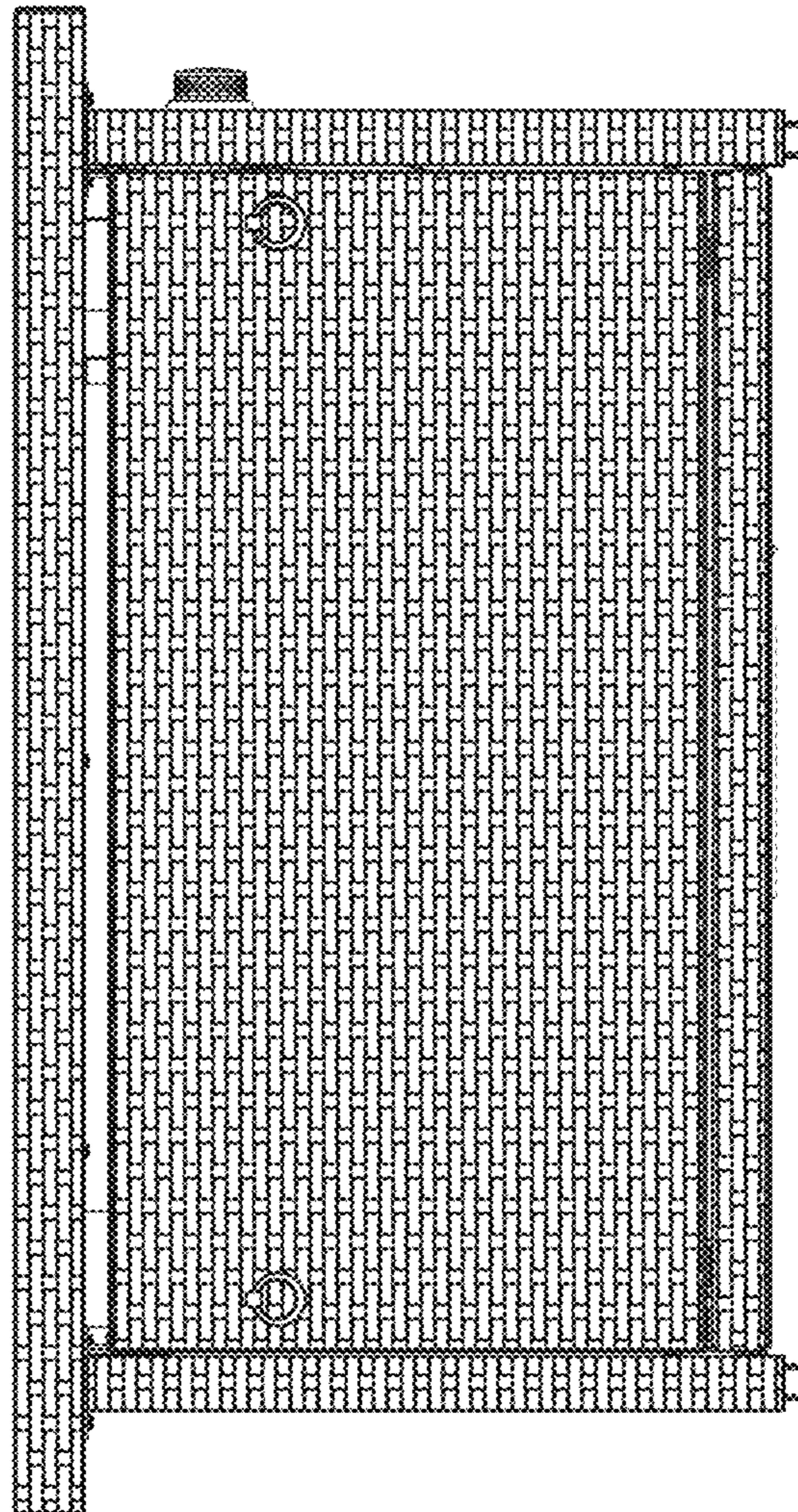


FIG 3

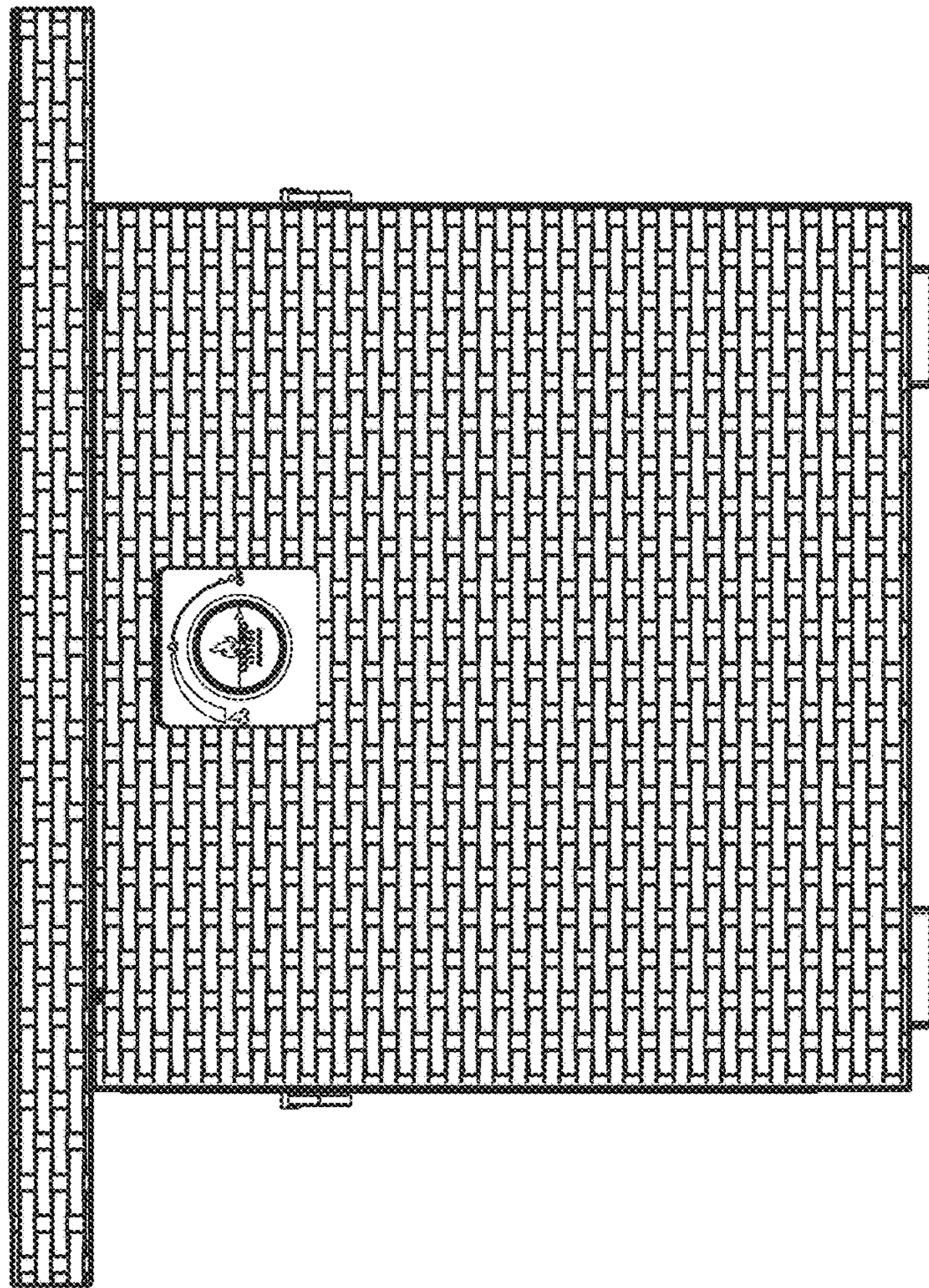


FIG 4

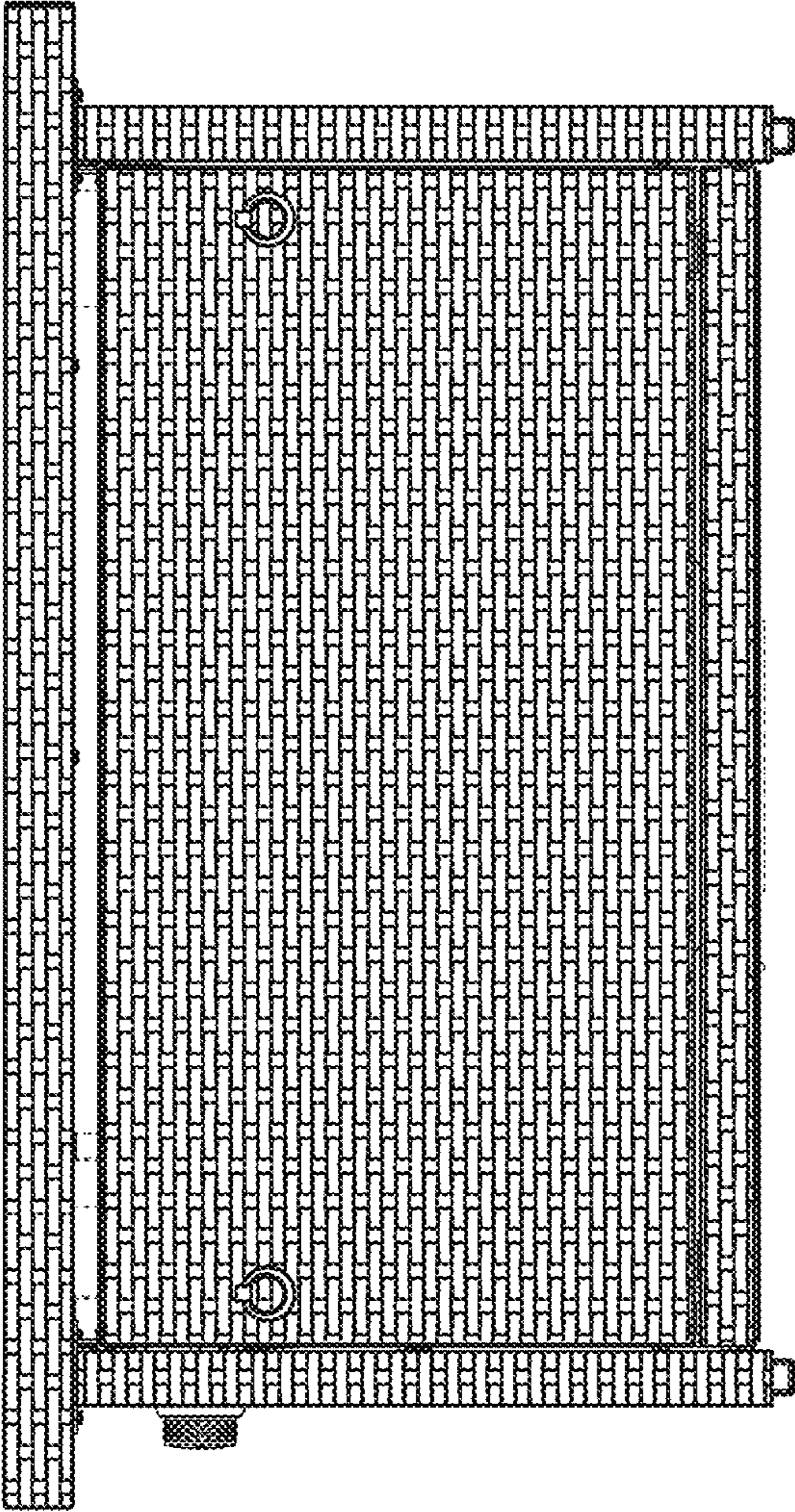


FIG 5

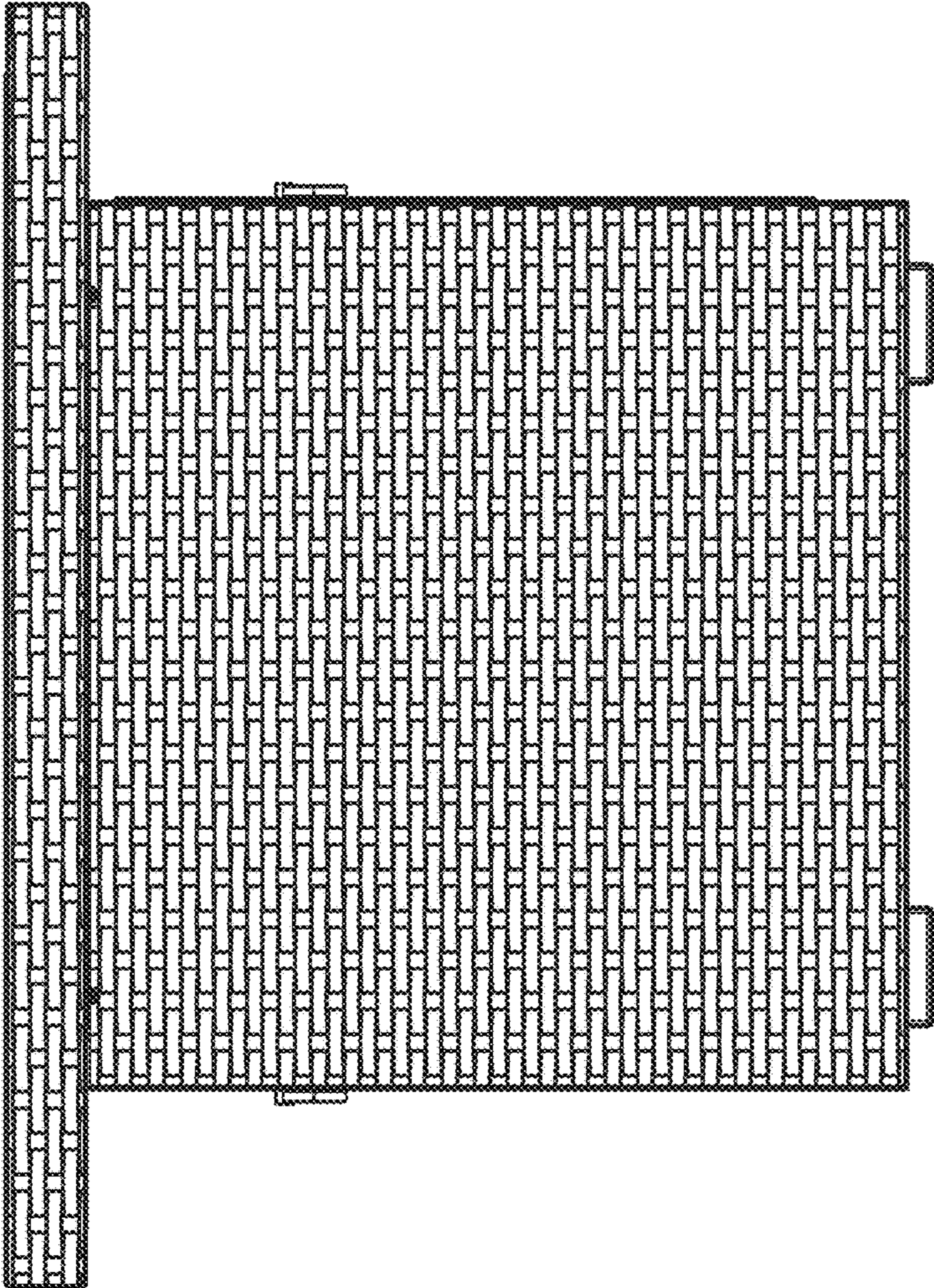


FIG 6



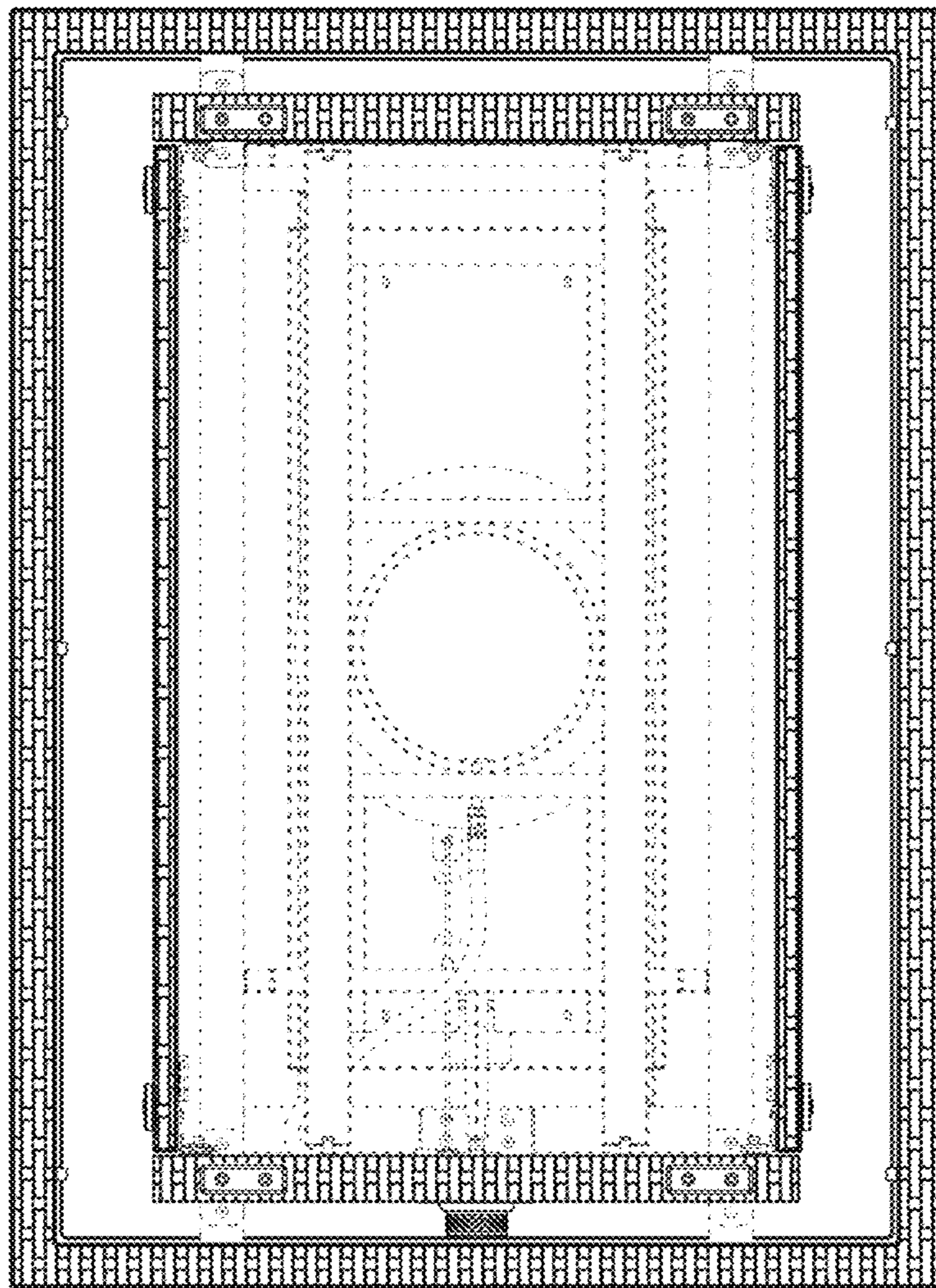


FIG 7