



(12) **United States Design Patent**  
**Pace**

(10) **Patent No.:** **US D848,590 S**  
(45) **Date of Patent:** **\*\* May 14, 2019**

- (54) **SPLASH SHIELD FOR TOILET PLUNGER OR BRUSH**
- (71) Applicant: **John Pace**, Atlanta, GA (US)
- (72) Inventor: **John Pace**, Atlanta, GA (US)
- (\*\*) Term: **15 Years**
- (21) Appl. No.: **29/601,665**
- (22) Filed: **Apr. 25, 2017**
- (51) **LOC (11) Cl.** ..... **23-02**
- (52) **U.S. Cl.**  
USPC ..... **D23/310**
- (58) **Field of Classification Search**  
USPC ..... D23/310, 303, 309; D32/14  
CPC ..... A47K 13/24; A47K 17/00; Y10S 4/05;  
E03D 9/00; E03D 9/14  
See application file for complete search history.

6,210,381	B1 *	4/2001	Morse	.....	A61M 3/0279	604/289
6,487,730	B2 *	12/2002	Pardo	.....	E03D 9/00	4/255.01
6,519,786	B1 *	2/2003	Francis	.....	E03D 9/00	4/209 FF
6,564,399	B1 *	5/2003	Teal	.....	A47K 11/105	4/300.3
6,594,831	B1 *	7/2003	Pardo	.....	E03C 1/308	4/255.01
6,763,531	B1 *	7/2004	Huffman	.....	B64D 11/02	4/251.1
D782,635	S *	3/2017	Dick	.....	A61B 90/05	D23/310
2004/0237181	A1 *	12/2004	Atkins-Williams	...	A47K 13/24	4/300.3
2010/0000010	A1 *	1/2010	Martinisko	.....	E03D 9/00	4/255.11
2012/0318688	A1 *	12/2012	Martinisko	.....	E03D 9/00	206/223
2015/0060313	A1 *	3/2015	Martinisko	.....	E03D 9/00	206/223

\* cited by examiner

(56) **References Cited**

**U.S. PATENT DOCUMENTS**

4,348,776	A *	9/1982	Sarjeant	.....	A47K 13/08	4/300.3
4,458,368	A *	7/1984	Webb	.....	E03D 9/00	4/253
4,709,426	A *	12/1987	Godwin, Jr.	.....	E03D 9/00	4/300.3
4,774,730	A *	10/1988	Ho	.....	E03D 9/00	210/131
4,831,669	A *	5/1989	Edwards	.....	E03D 9/00	220/378
D345,016	S *	3/1994	Stamler	.....	D24/130	
5,706,528	A *	1/1998	Broback	.....	E03D 9/00	4/253
5,815,851	A *	10/1998	Perry	.....	A47K 13/24	4/300.3
6,041,451	A *	3/2000	Francis	.....	E03D 9/00	4/300

*Primary Examiner* — Michelle E. Wilson

(74) *Attorney, Agent, or Firm* — Larry D. Johnson

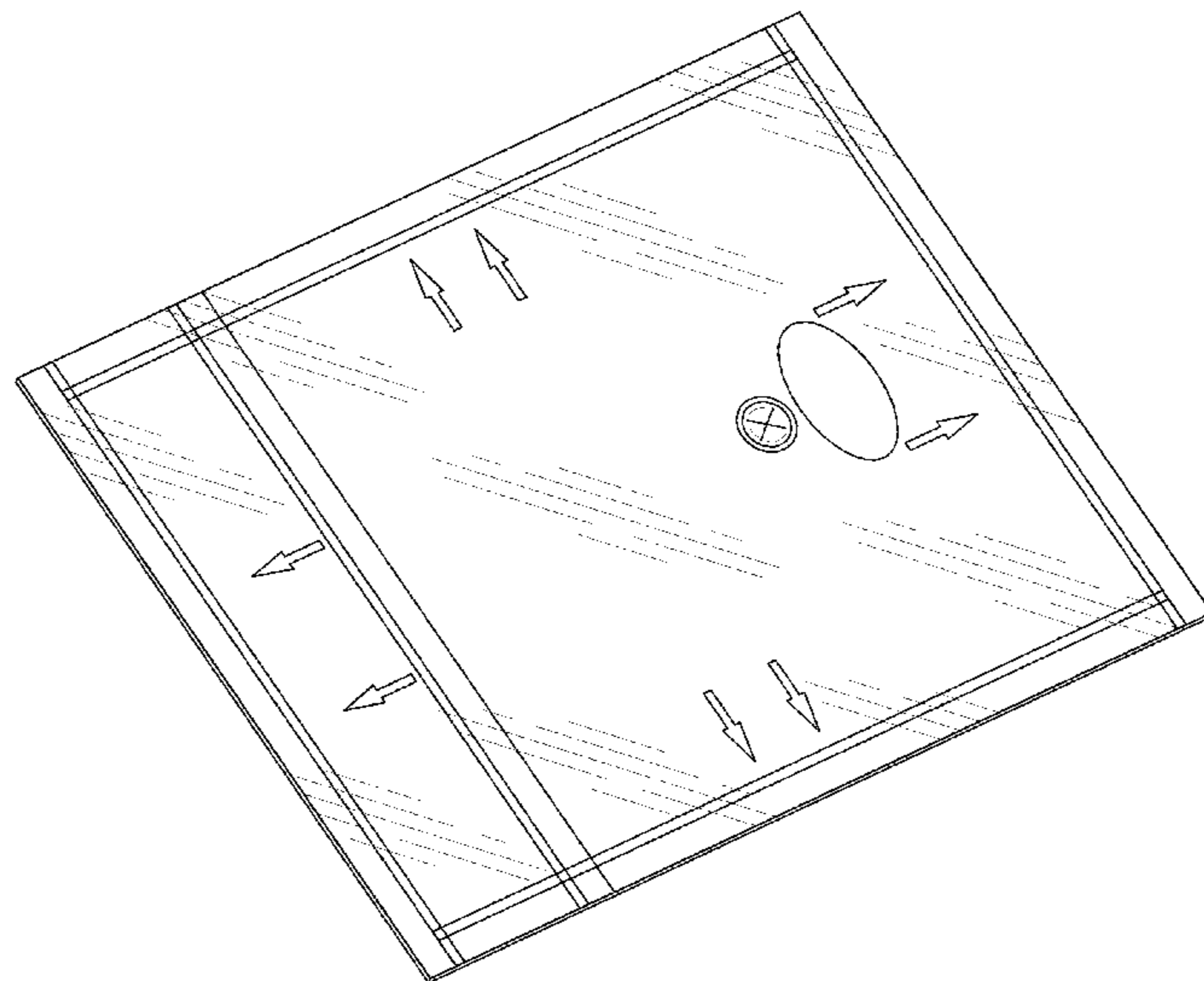
(57) **CLAIM**

The ornamental design for a splash shield for toilet plunger or brush, as shown.

**DESCRIPTION**

FIG. 1 is a perspective view thereof;  
FIG. 2 is a front elevation view thereof;  
FIG. 3 is a rear elevation view thereof;  
FIG. 4 is a right side elevation view thereof;  
FIG. 5 is a left side elevation view thereof;  
FIG. 6 is a top view thereof; and,  
FIG. 7 is a bottom view thereof.

**1 Claim, 5 Drawing Sheets**



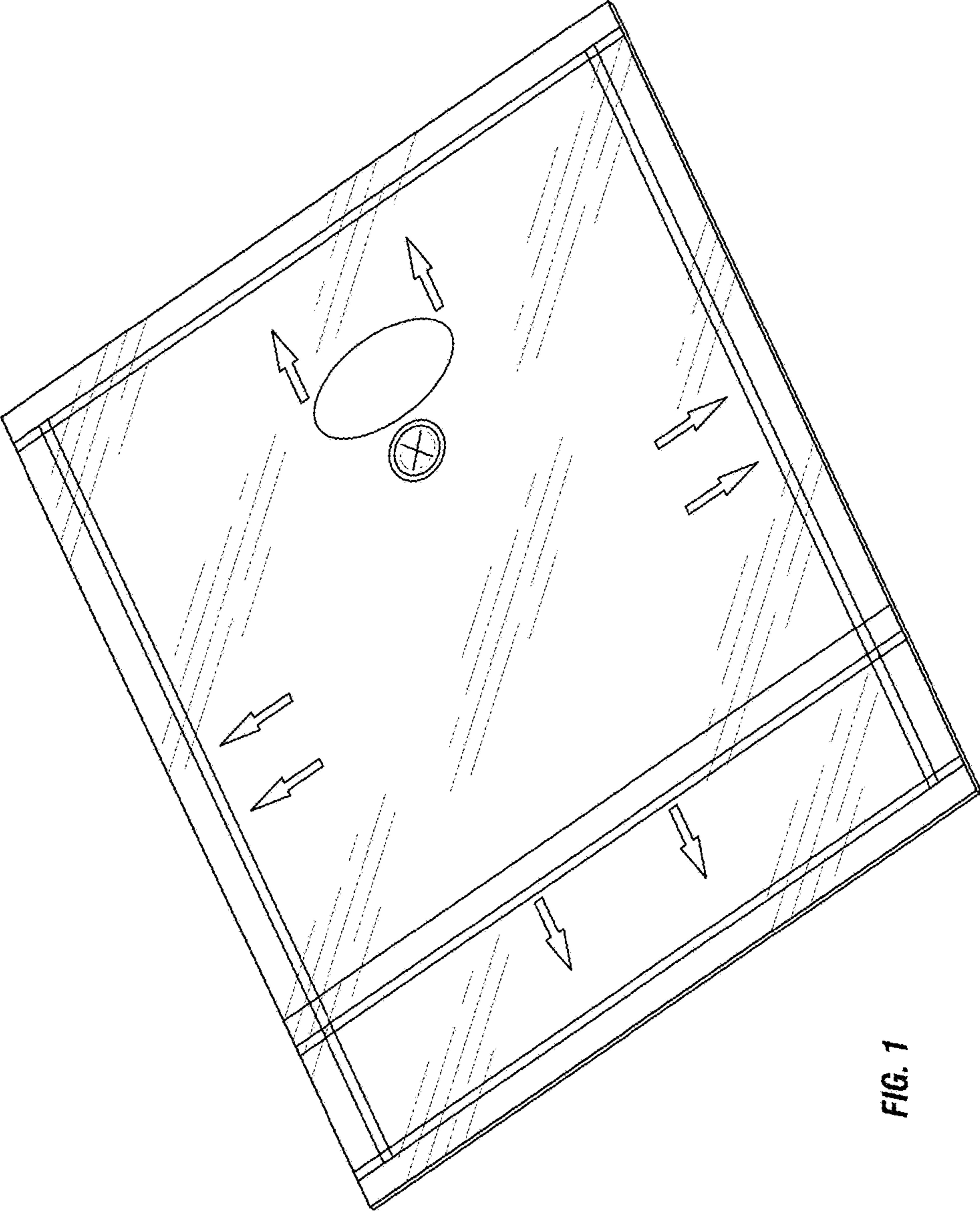


FIG. 1

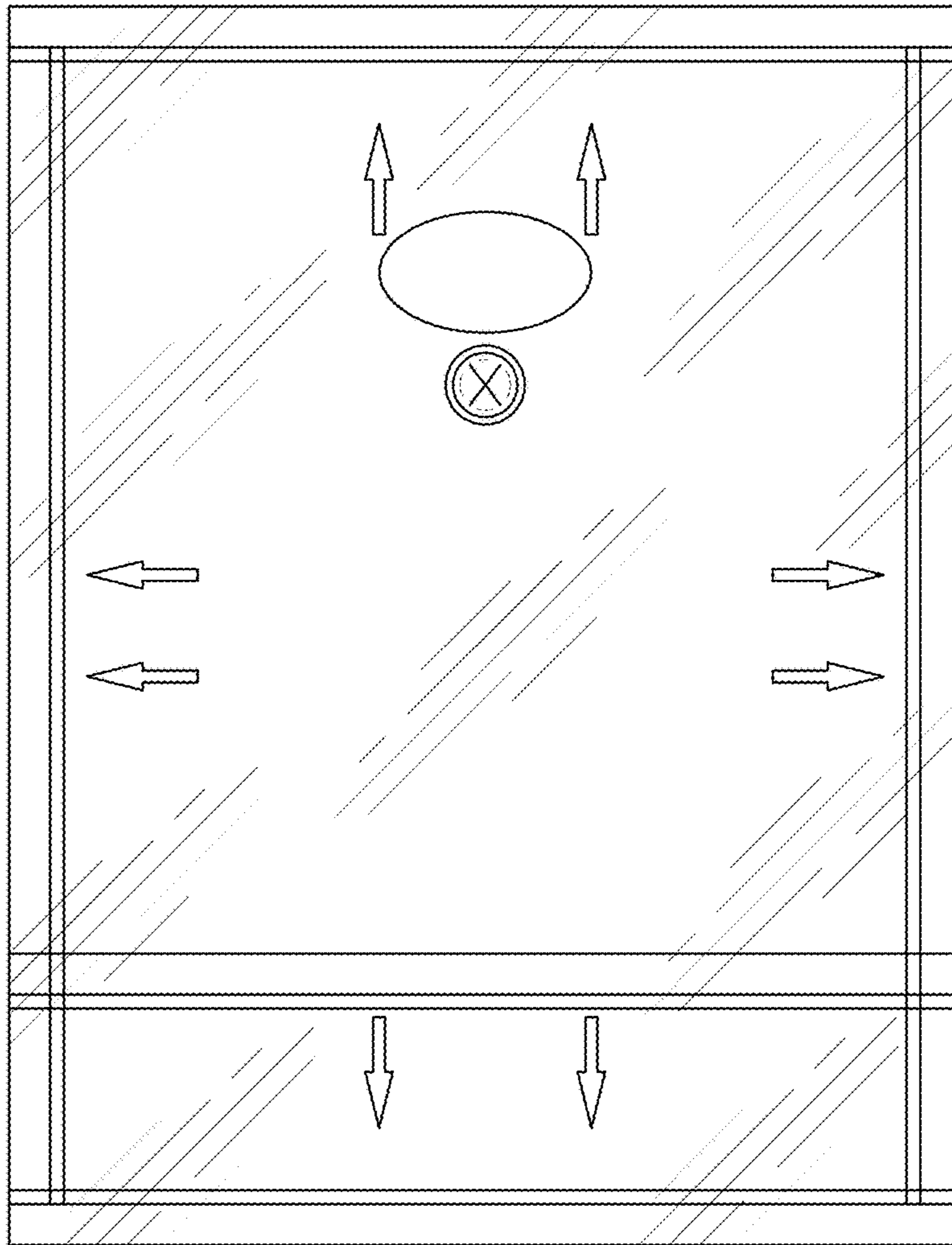


FIG. 2

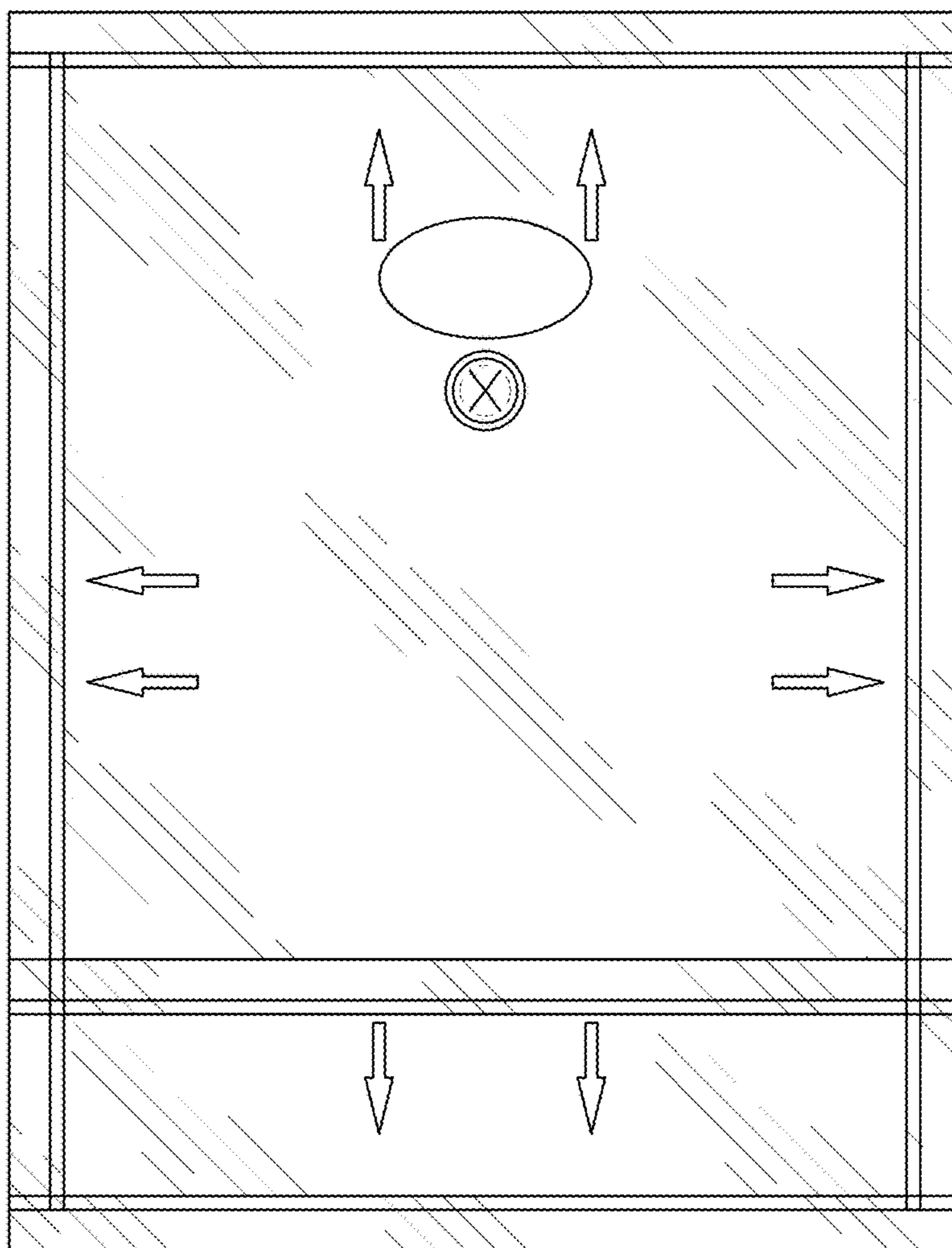


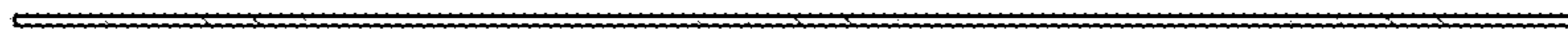
FIG. 3



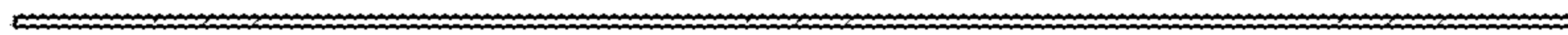
**FIG. 4**



**FIG. 5**



***FIG. 6***



***FIG. 7***