



US00D848589S

(12) **United States Design Patent**
Tani et al.

(10) **Patent No.:** **US D848,589 S**

(45) **Date of Patent:** **** May 14, 2019**

(54) **WATER CLOSET**

(71) Applicant: **TOTO, Ltd.**, Kitakyushu-shi, Fukuoka (JP)

(72) Inventors: **Minoru Tani**, Kitakyushu (JP);
Chikahiro Kakimoto, Kitakyushu (JP)

(73) Assignee: **TOTO, Ltd.**, Kitakyushu-shi, Fukuoka (JP)

(**) Term: **15 Years**

(21) Appl. No.: **29/624,084**

(22) Filed: **Oct. 30, 2017**

(51) **LOC (11) Cl.** **23-02**

(52) **U.S. Cl.**
USPC **D23/300**

(58) **Field of Classification Search**
USPC D23/295, 300, 303, 309, 273-274
See application file for complete search history.

(56) **References Cited**

U.S. PATENT DOCUMENTS

D354,341 S * 1/1995 Kohler, Jr. D23/300
6,986,172 B2 * 1/2006 Hidetaka E03D 1/28
4/421

D612,026 S * 3/2010 Soulier D23/295
D615,173 S * 5/2010 Arets D23/295
D663,391 S * 7/2012 Iranyi D23/295
D801,491 S * 10/2017 Stevenson D23/300
10,060,113 B2 * 8/2018 Luetngen E03D 9/00
D828,525 S * 9/2018 Cummings D23/295

* cited by examiner

Primary Examiner — Robert A Delehanty

(74) *Attorney, Agent, or Firm* — Banner & Witcoff, Ltd.

(57) **CLAIM**

The ornamental design for a water closet, as shown and described.

DESCRIPTION

FIG. 1 is a front perspective view of a water closet showing our new design;

FIG. 2 is a front view thereof;

FIG. 3 is a rear view thereof;

FIG. 4 is a left side view thereof;

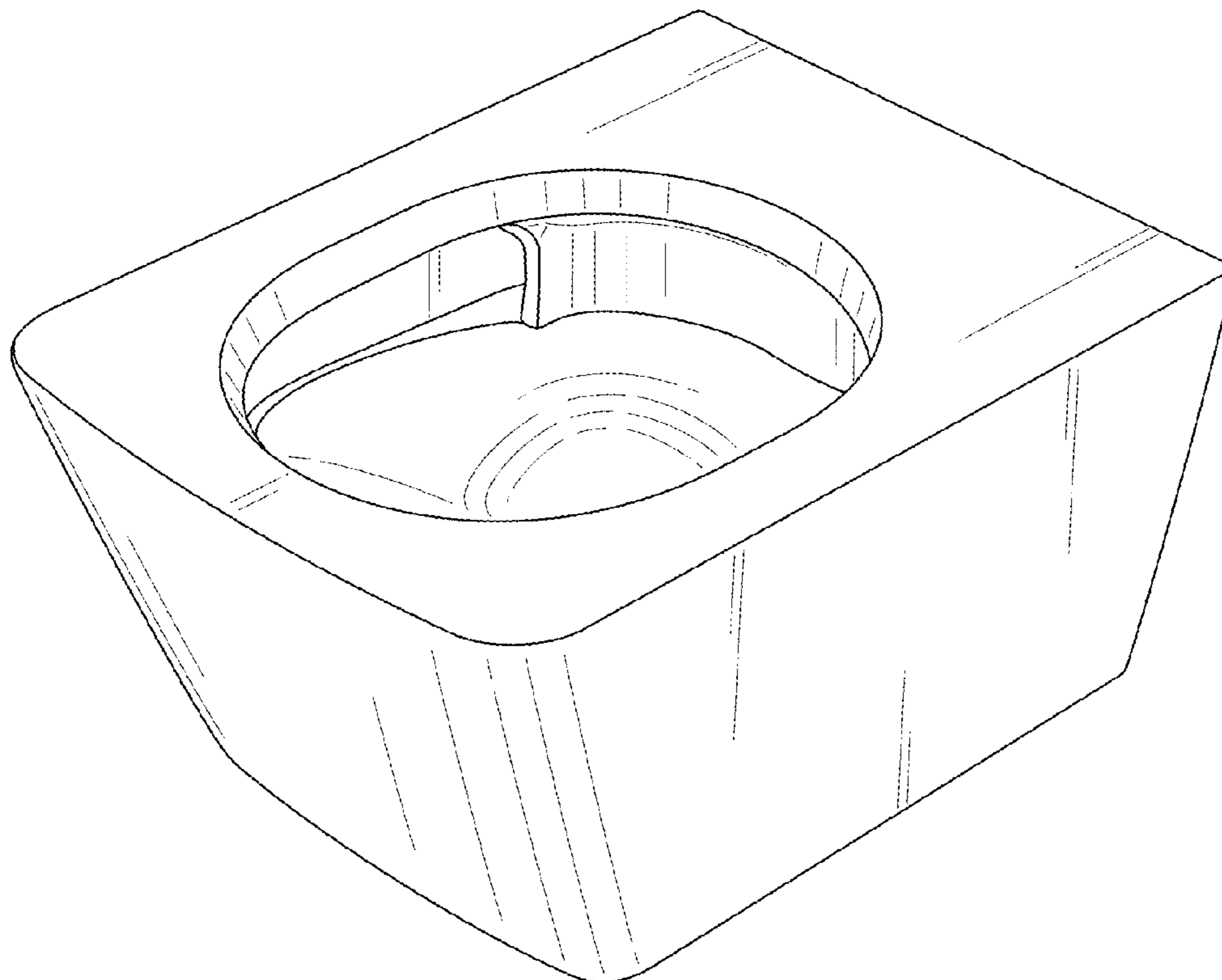
FIG. 5 is a right side view thereof;

FIG. 6 is a top view thereof; and,

FIG. 7 is a bottom view thereof.

The broken lines in FIG. 7 illustrate portions of the water closet that form no part of the claimed design. The dot-dash broken lines in FIG. 7 define the bounds of the claimed design and form no part thereof.

1 Claim, 5 Drawing Sheets



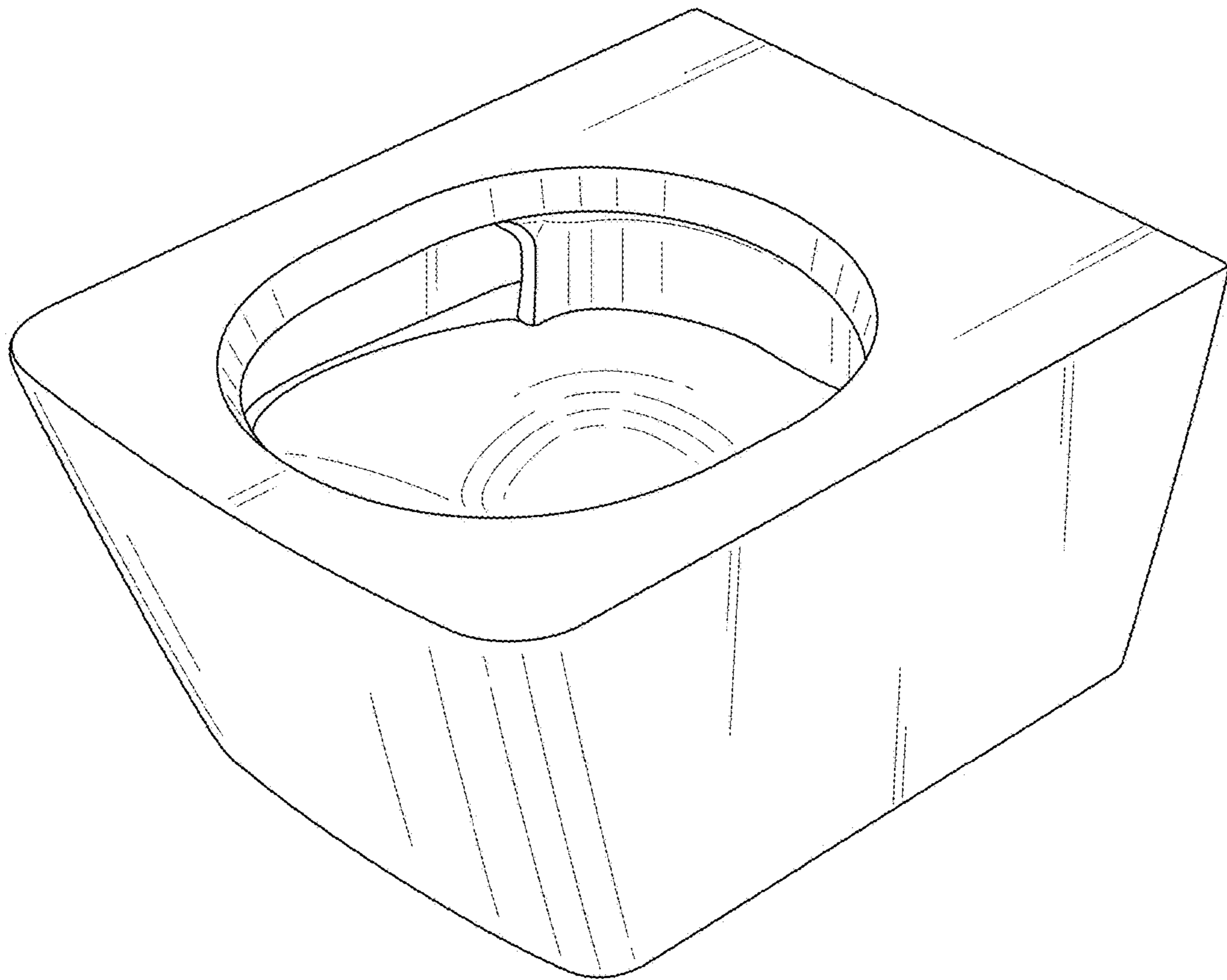


FIG. 1

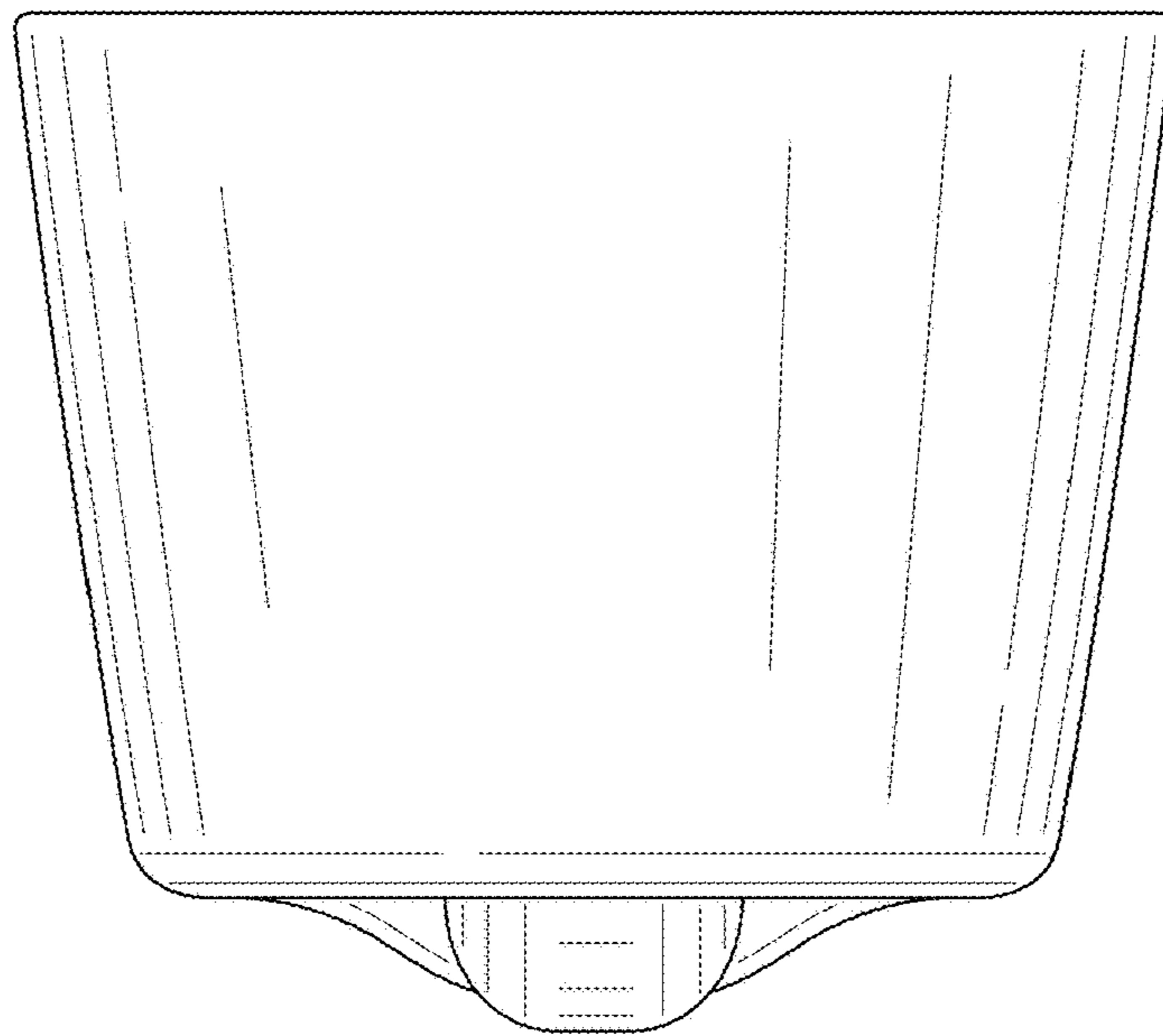


FIG. 2

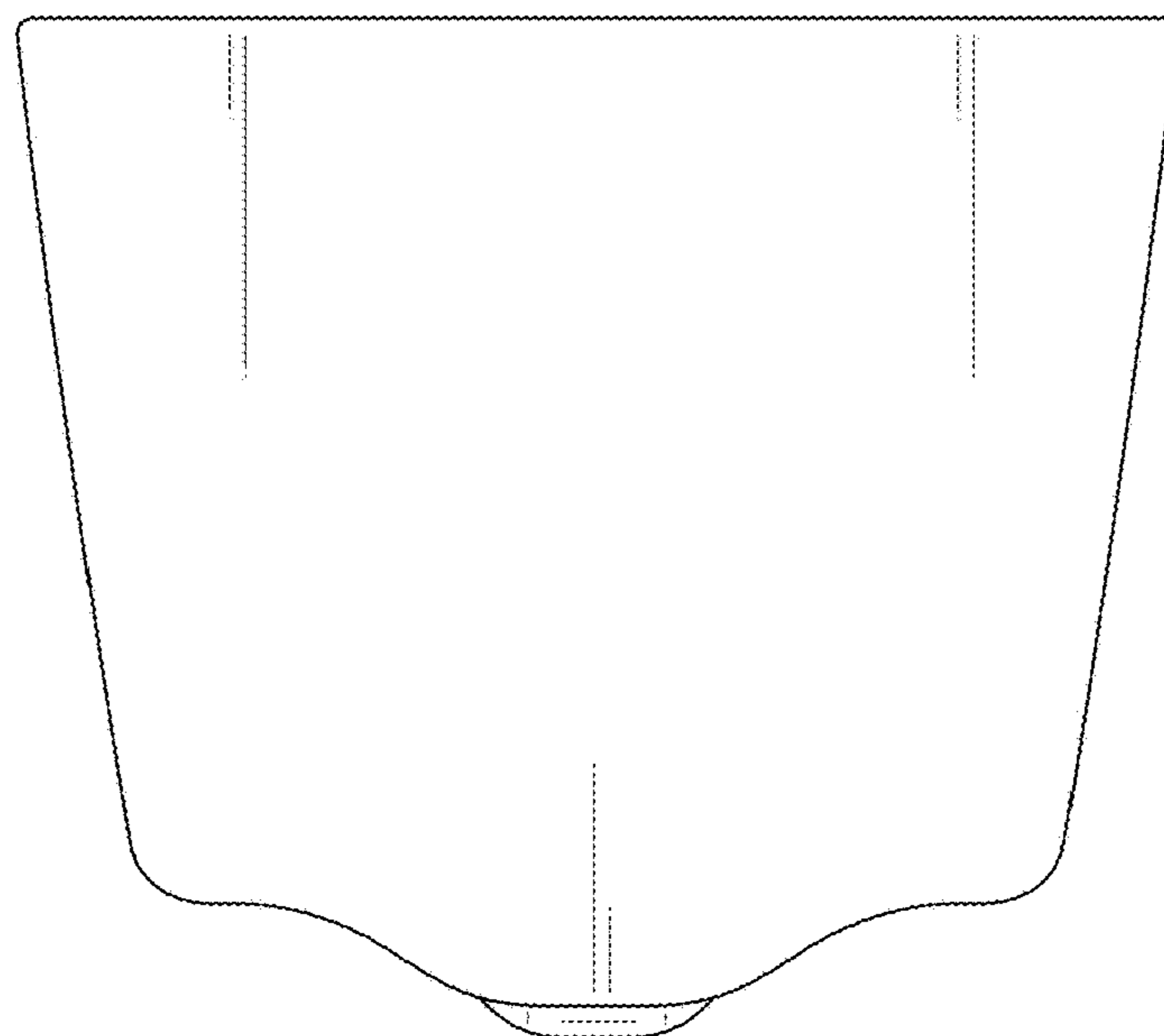


FIG. 3

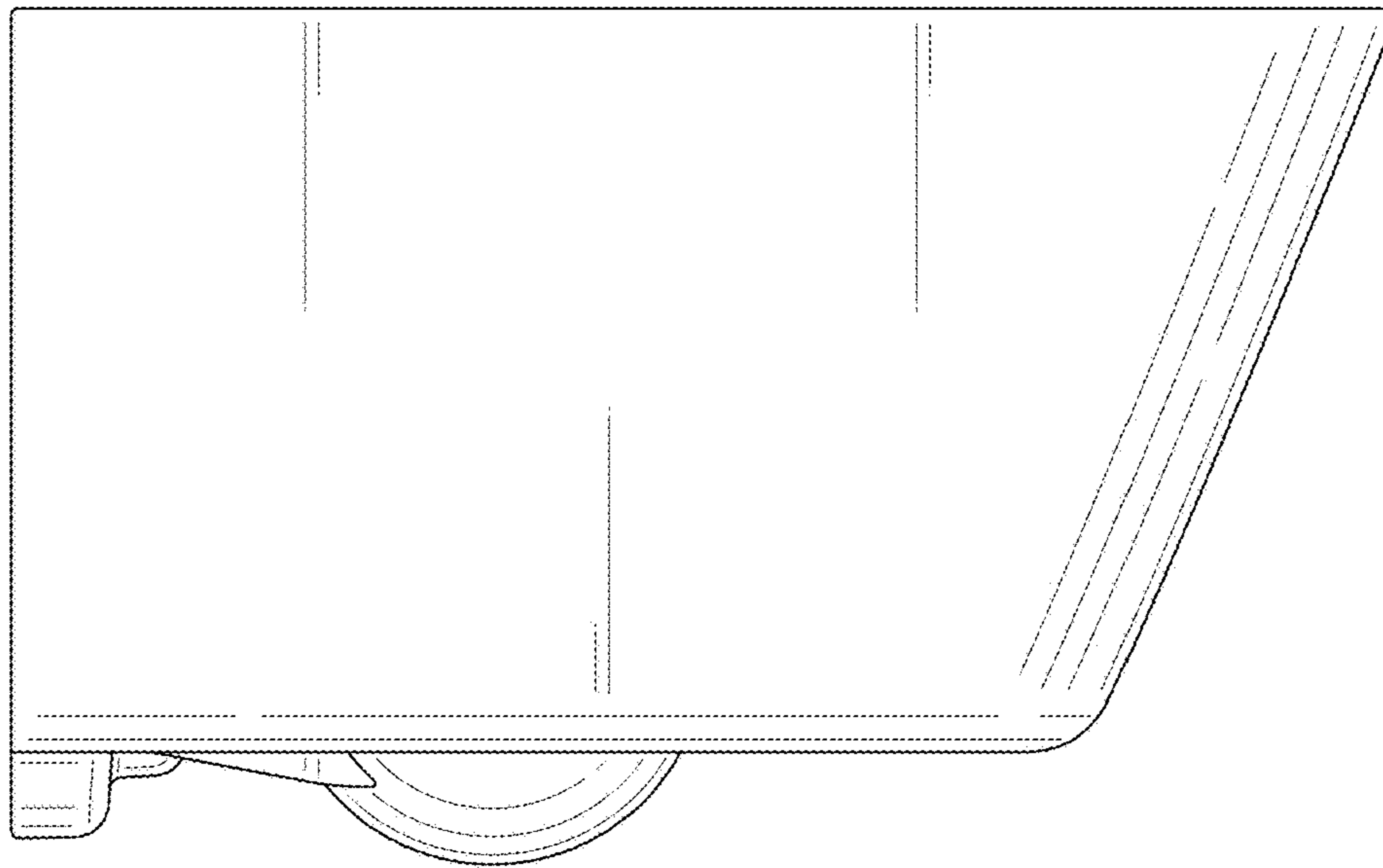


FIG. 4

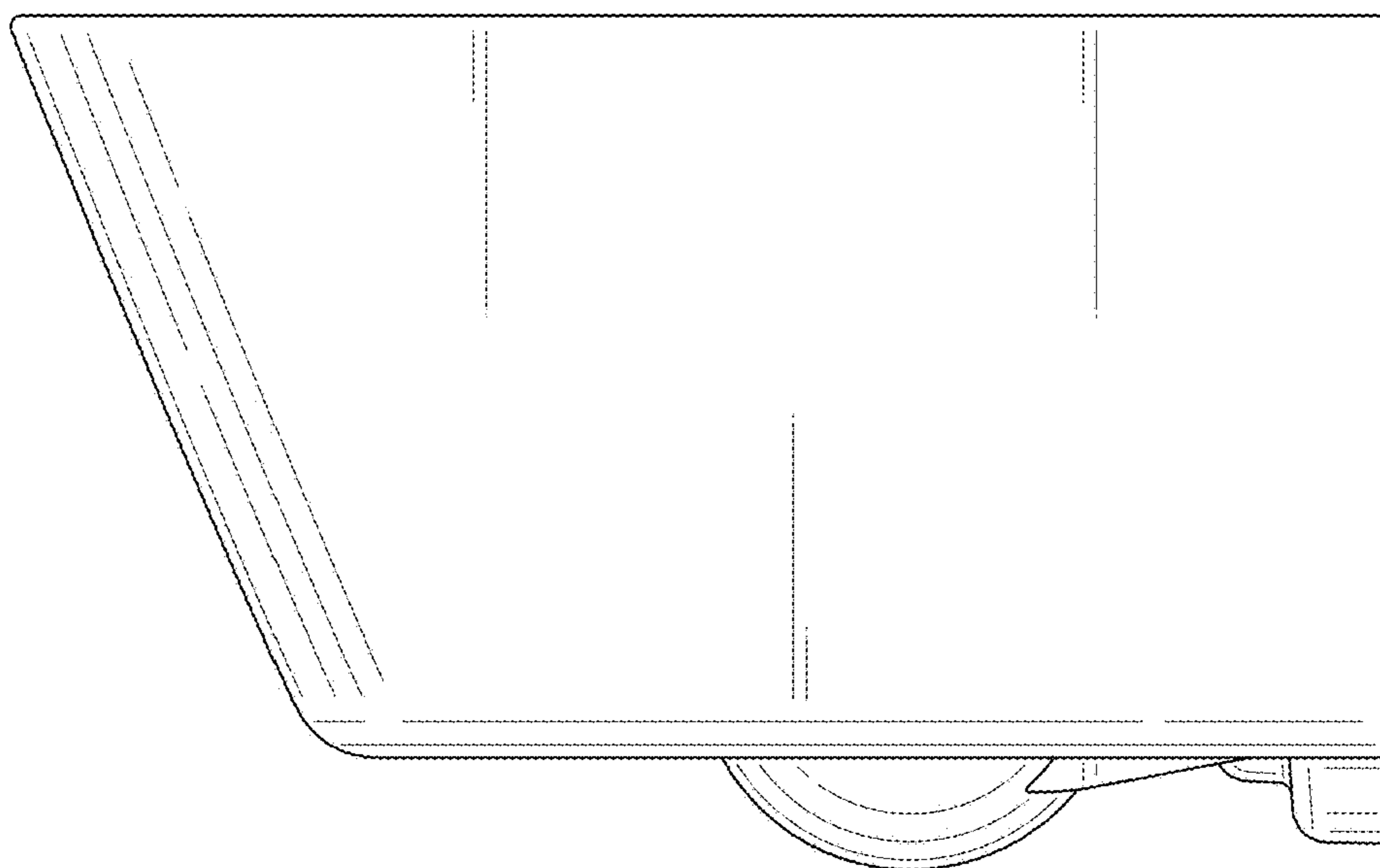


FIG. 5

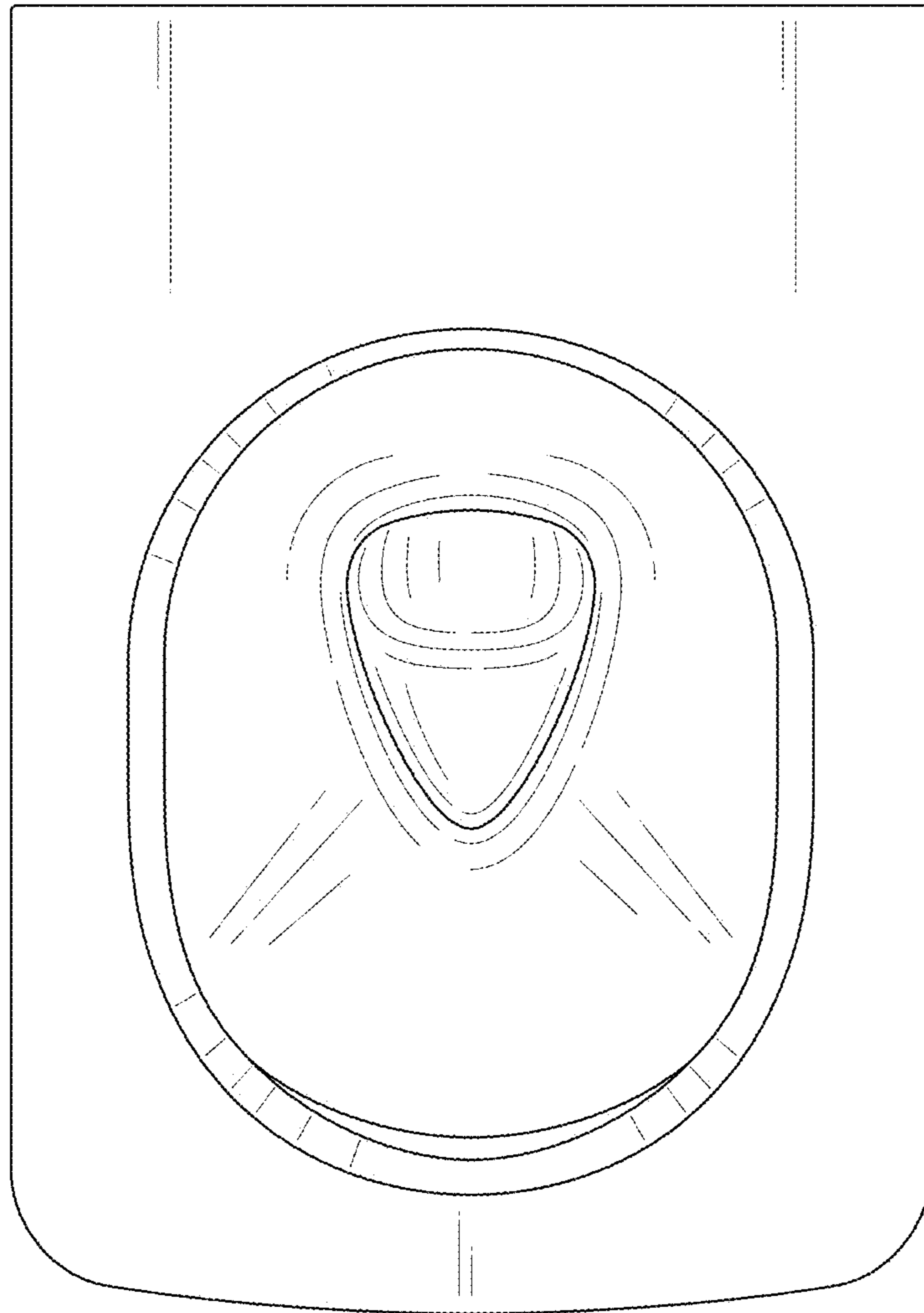


FIG. 6

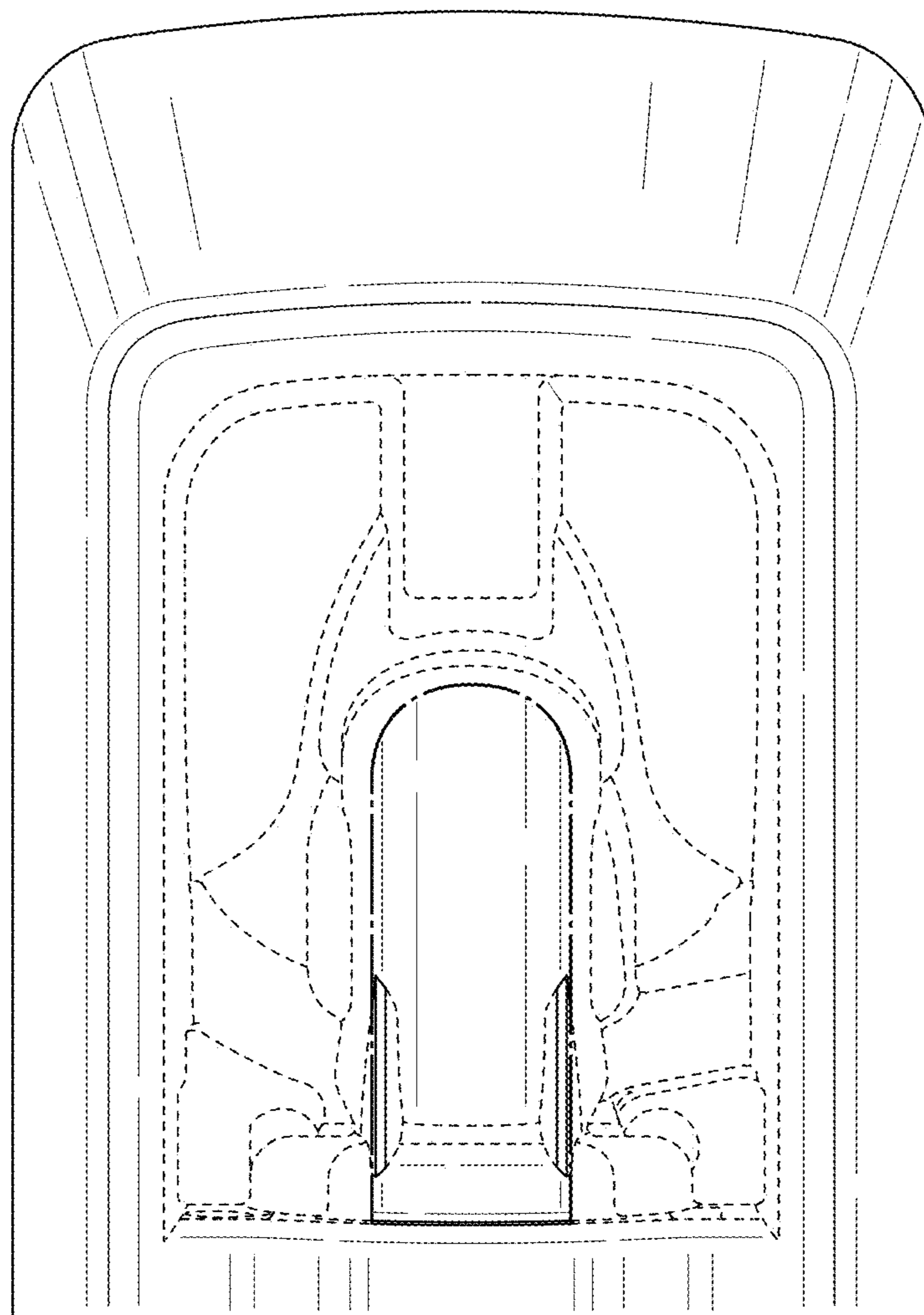


FIG. 7