



US00D848588S

(12) **United States Design Patent** (10) **Patent No.:** **US D848,588 S**  
**L'Henaff et al.** (45) **Date of Patent:** **\*\* May 14, 2019**

(54) **TOILET**

(71) Applicant: **AS IP Holdco, LLC**, Piscataway, NJ (US)

(72) Inventors: **Jean-Jacques L'Henaff**, New Canaan, CT (US); **Christophe Bucher**, Hillsborough, NJ (US); **Jacob Nitz**, Brooklyn, NY (US)

(73) Assignee: **AS IP HOLDCO, LLC**, Piscataway, NJ (US)

(\*\*) Term: **15 Years**

(21) Appl. No.: **29/590,273**

(22) Filed: **Jan. 9, 2017**

(51) **LOC (11) Cl.** ..... **23-02**

(52) **U.S. Cl.**  
USPC ..... **D23/295**

(58) **Field of Classification Search**  
USPC ..... D23/295-303, 307, 309, 310, 313  
CPC ..... E03D 11/08; E03D 11/18; E03D 5/10;  
E03D 13/00; A47K 11/00; A47K 13/00;  
Y10S 4/05  
See application file for complete search history.

(56) **References Cited**

**U.S. PATENT DOCUMENTS**

D494,667 S *	8/2004	Kergoet	.....	D23/295
D609,792 S *	2/2010	Tani	.....	D23/300
D615,173 S *	5/2010	Arets	.....	D23/295
D615,634 S *	5/2010	Soulier	.....	D23/295
D622,827 S *	8/2010	Soulier	.....	D23/295
D639,400 S *	6/2011	Kang	.....	D23/295
D639,401 S *	6/2011	Starck	.....	D23/295

D640,777 S *	6/2011	Heuberger	.....	D23/300
D663,391 S *	7/2012	Iranyi	.....	D23/295
D704,316 S *	5/2014	Ishikawa	.....	D23/295
D765,228 S *	8/2016	Cummings	.....	D23/300
RE46,162 E *	9/2016	Paterson	.....	D23/295

**FOREIGN PATENT DOCUMENTS**

CN 303656372 S 4/2016

**OTHER PUBLICATIONS**

Notice of Reason for Rejection dated Dec. 5, 2017, in corresponding Japanese Patent Application No. 2017-014732 (3 pages).  
Brazilian Office Action dated Jan. 23, 2018 for related Brazilian Application No. BR 30 2017 002825-0 (1 page).

\* cited by examiner

*Primary Examiner* — Lakiya G Rogers

*Assistant Examiner* — John A Voytek

(74) *Attorney, Agent, or Firm* — Michele V. Frank; Venable LLP

(57) **CLAIM**

The ornamental design for a toilet, as shown and described.

**DESCRIPTION**

FIG. 1 is a front and right side perspective view of a toilet showing the new design;

FIG. 2 is a front elevational view thereof;

FIG. 3 is a rear elevational view thereof;

FIG. 4 is a right side elevational view thereof;

FIG. 5 is a left side elevational view thereof;

FIG. 6 is a top plan view thereof; and,

FIG. 7 is a bottom plan view thereof.

The features shown in broken lines form no part of the claimed design.

**1 Claim, 4 Drawing Sheets**

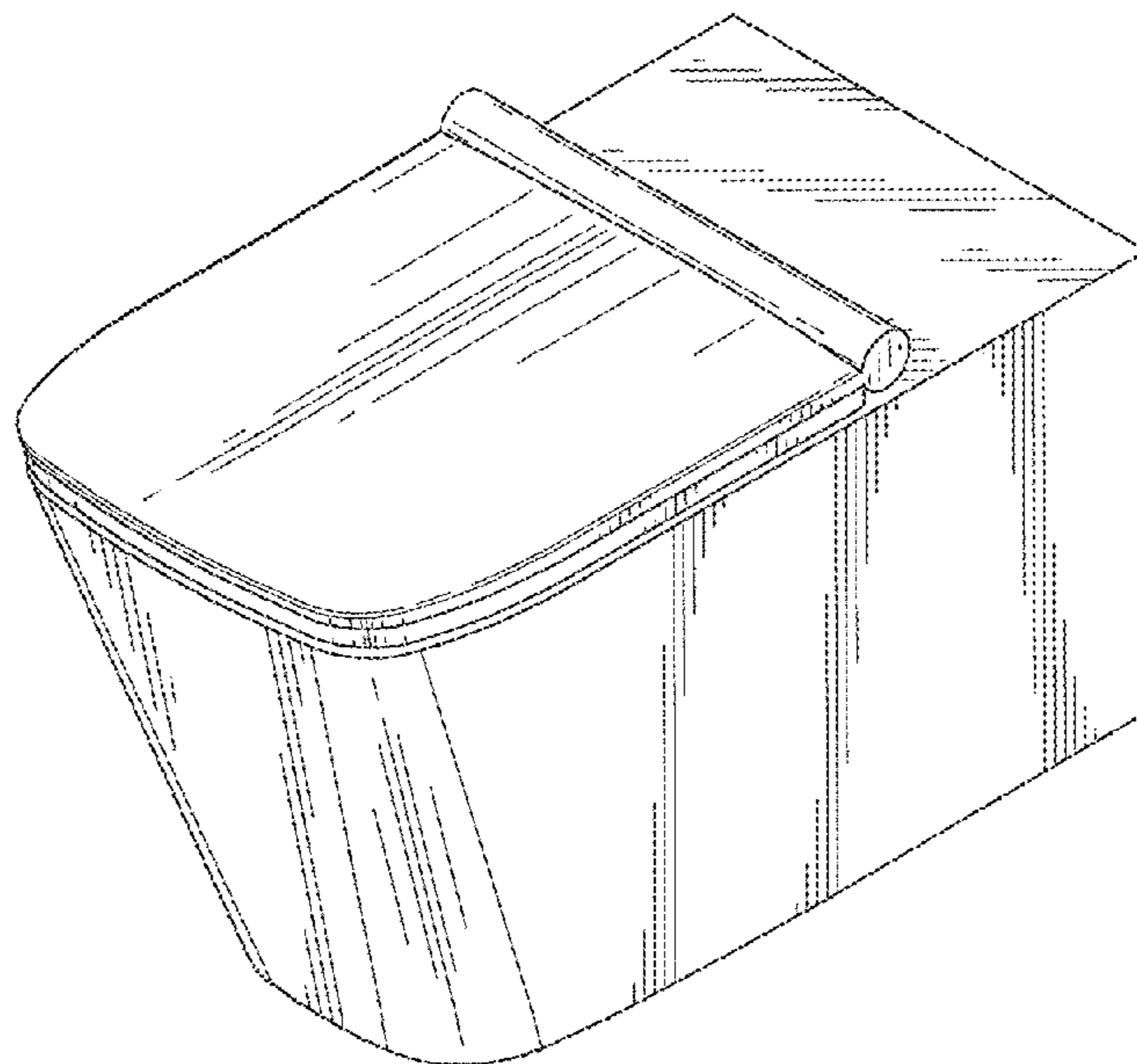


FIG. 1

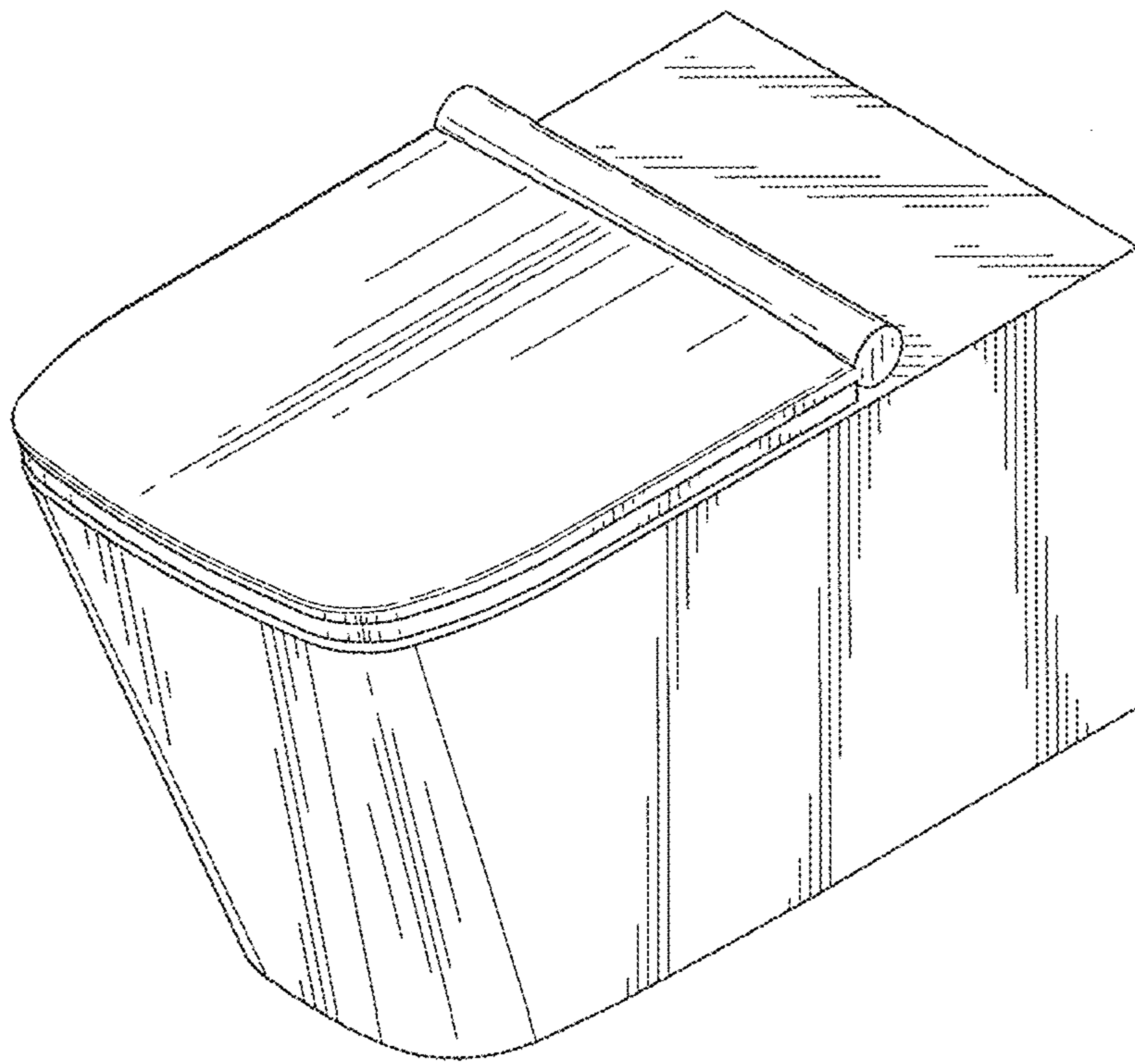


FIG. 2

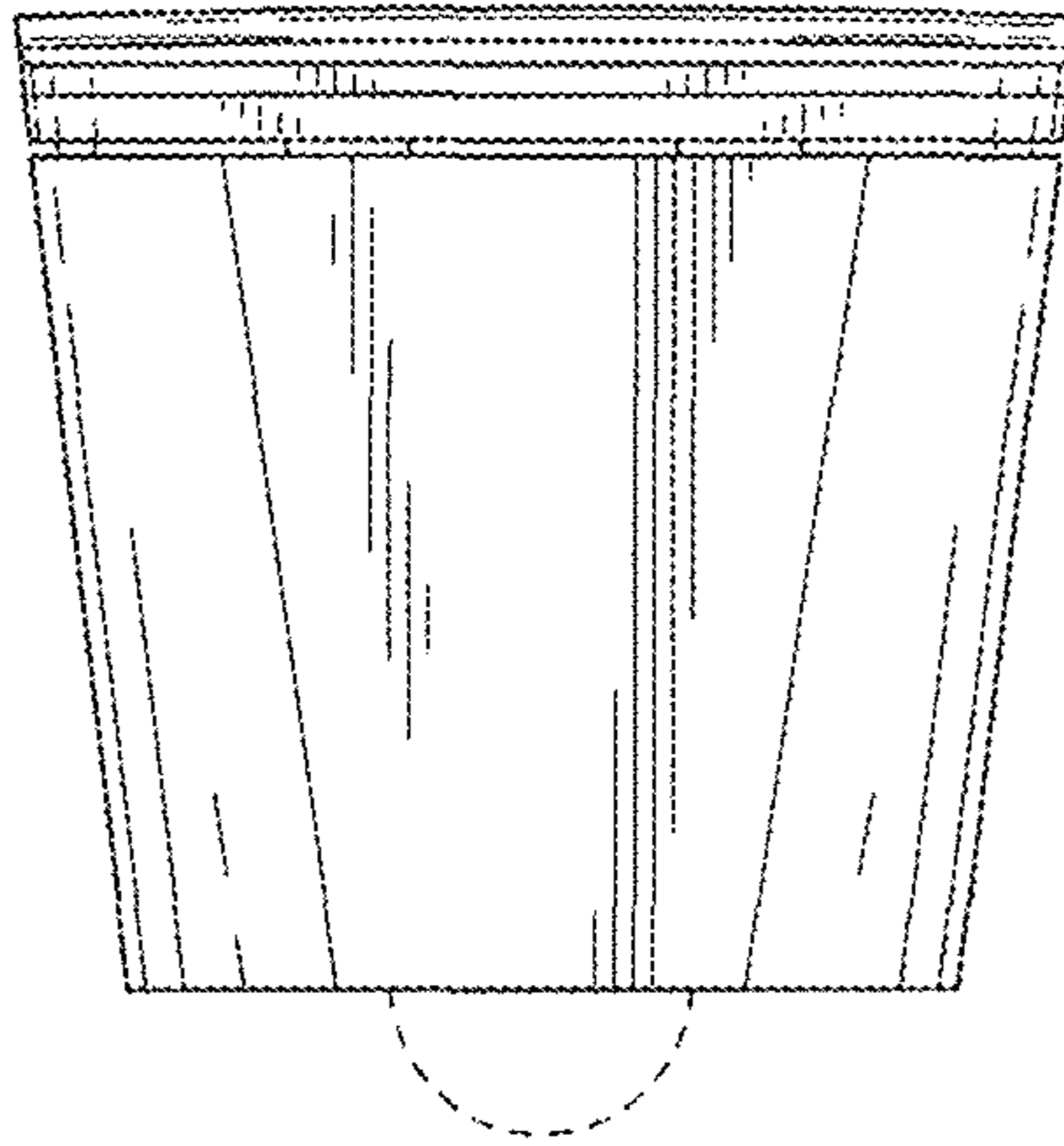


FIG. 3

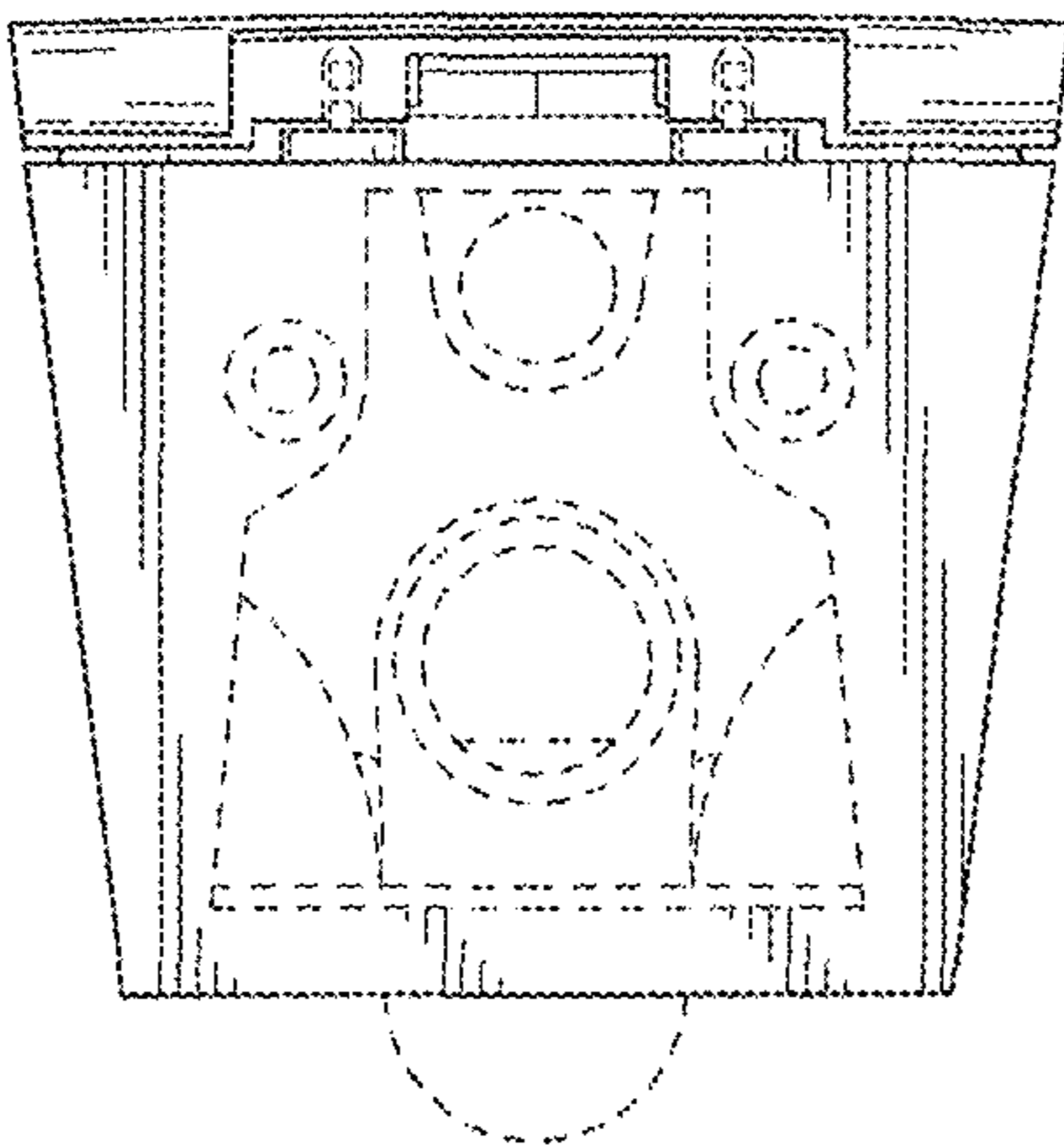


FIG. 4

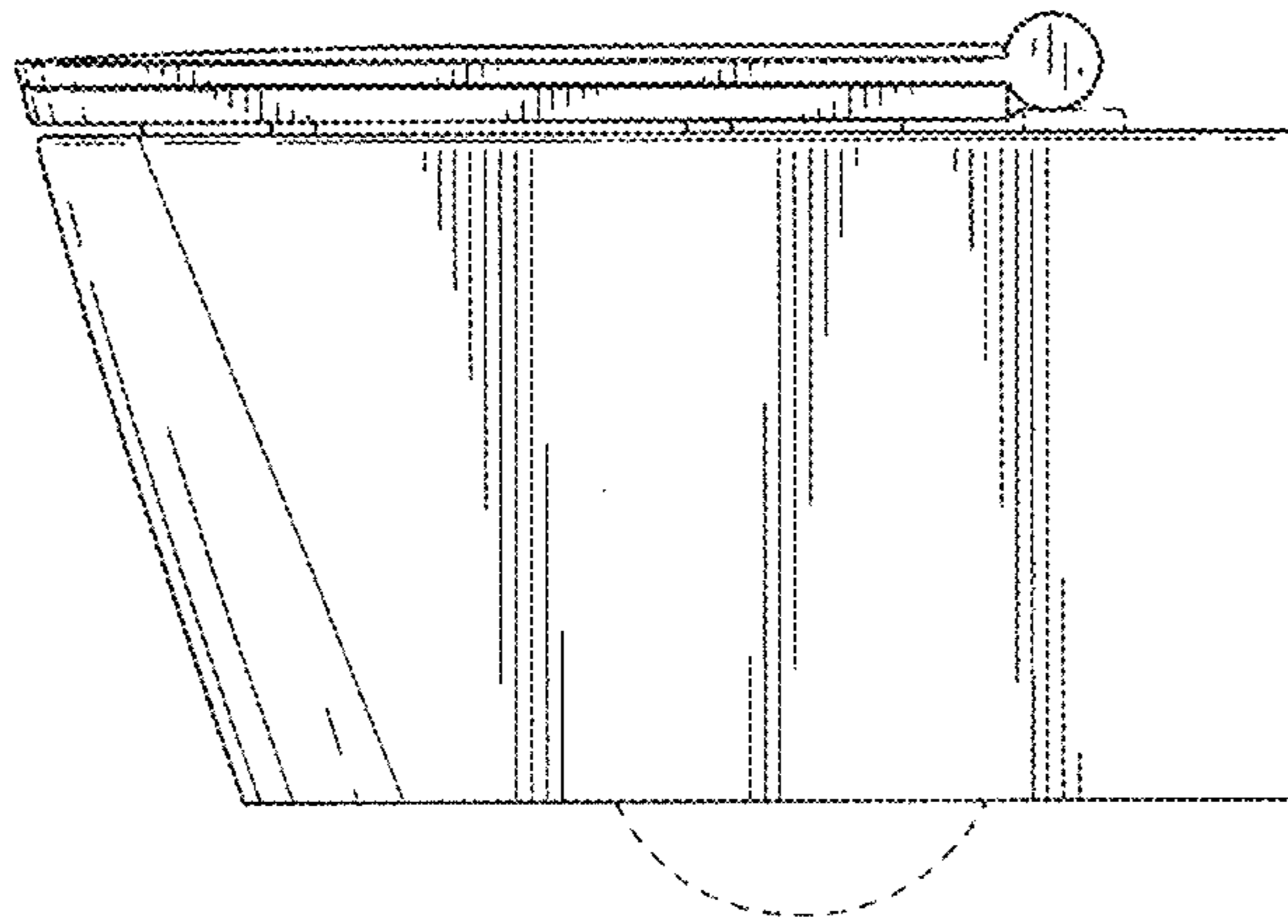


FIG. 5

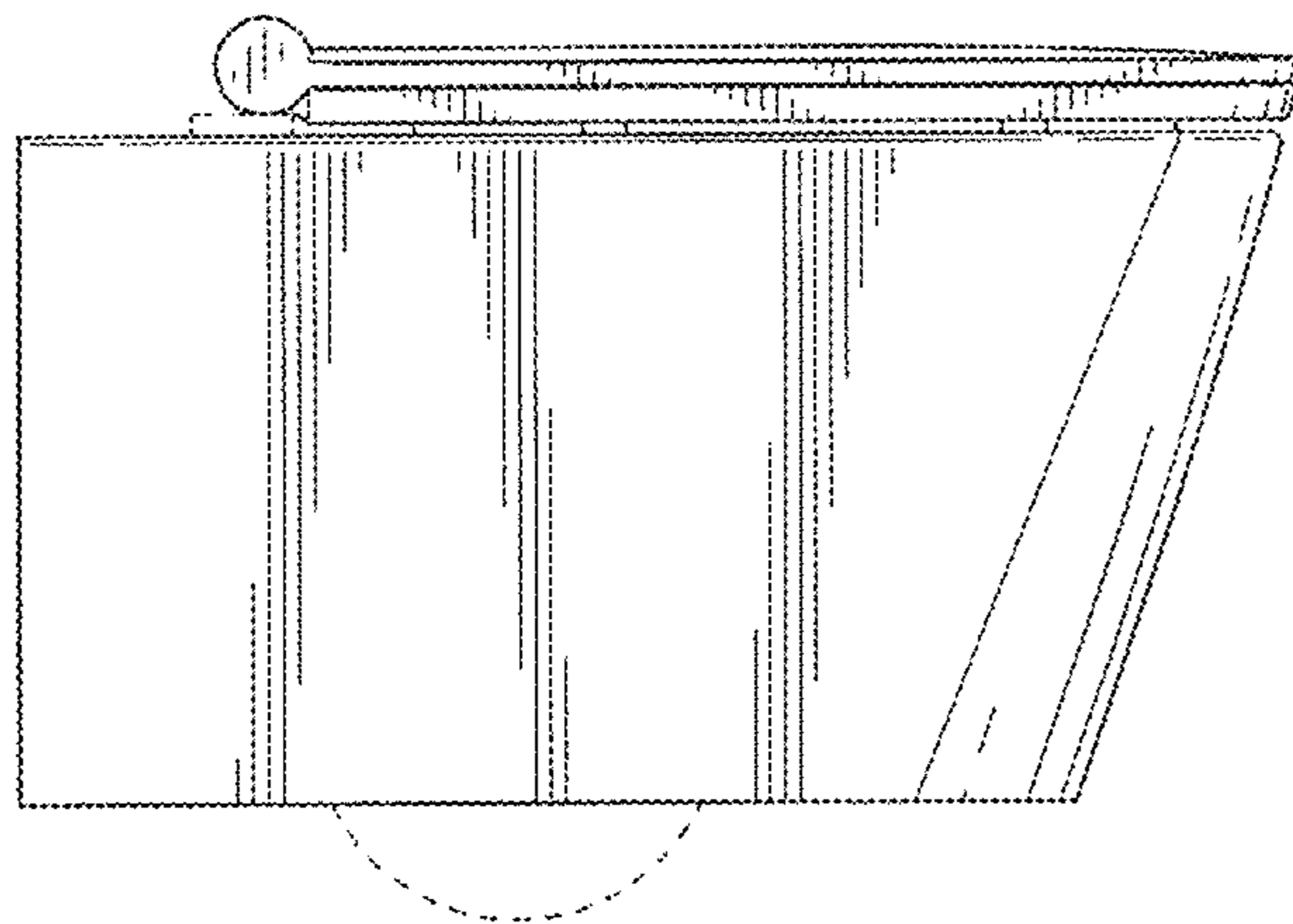


FIG. 6

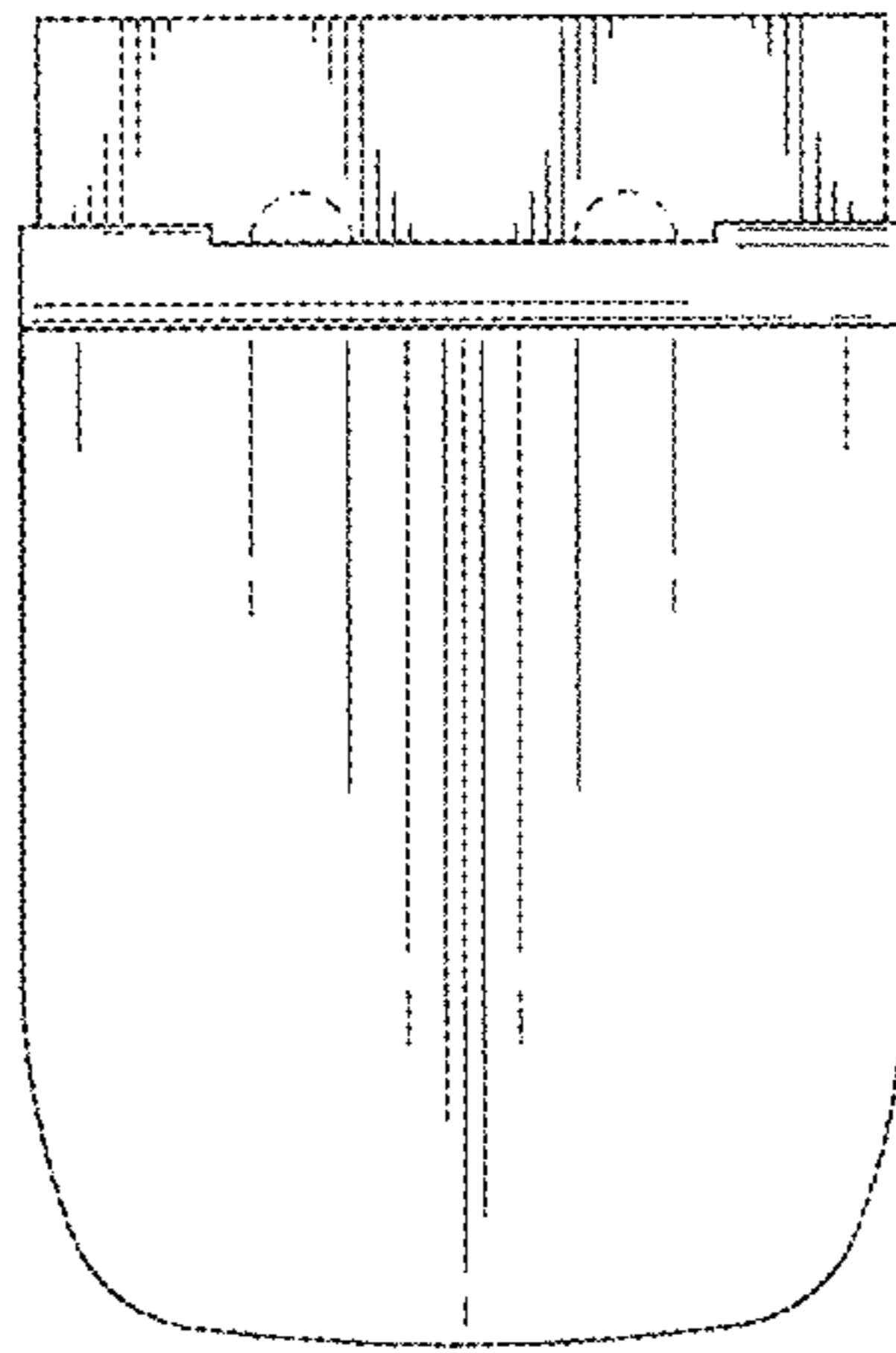


FIG. 7

