



US00D848587S

(12) **United States Design Patent** (10) **Patent No.:** **US D848,587 S**  
**Bucher et al.** (45) **Date of Patent:** **\*\* May 14, 2019**

- (54) **SINK AND STAND**
- (71) Applicant: **AS IP Holdco, LLC**, Piscataway, NJ (US)
- (72) Inventors: **Christophe Bucher**, Hillsborough, NJ (US); **Jacob Nitz**, Brooklyn, NY (US)
- (73) Assignee: **AS IP Holdco, LLC**, Piscataway, NJ (US)
- (\*\*) Term: **15 Years**
- (21) Appl. No.: **29/637,914**
- (22) Filed: **Feb. 22, 2018**
- (51) **LOC (11) Cl.** ..... **23-02**
- (52) **U.S. Cl.**  
USPC ..... **D23/286**
- (58) **Field of Classification Search**  
USPC ... D23/270, 284, 286, 293.1, 303, 308, 285, D23/289, 499; D6/524, 641, 642, 657, D6/663-664, 665-666, 671, 671.1, 671.4, D6/573, 329  
CPC ... E03C 1/12; E03C 1/18; E03C 1/181; A47K 1/04; A47B 77/06; A47J 47/20  
See application file for complete search history.

D697,185 S 1/2014 Spangler  
D713,514 S 9/2014 Chen et al.  
D744,620 S \* 12/2015 Adkison ..... D23/284

FOREIGN PATENT DOCUMENTS

RU 2016501946 \* 5/2016

OTHER PUBLICATIONS

Architonic, Epoque Console by Devon&Devon, launched 2010, [online], [site visited Nov. 20, 2018]. Available from Internet, <URL: <https://www.architonic.com/en/product/devon-devon-epoque-console/1104752>> (Year: 2010).\*

Architonic, Efi base by Ceramica Flamina, launched 1990, [online], [site visited Nov. 20, 2018]. Available from Internet, <URL: <https://www.architonic.com/en/product/ceramica-flamina-efi-base/1093793>> (Year: 1990).\*

(Continued)

*Primary Examiner* — Sheryl Lane  
*Assistant Examiner* — Samantha N Wood  
(74) *Attorney, Agent, or Firm* — Morrison & Foerster LLP

(57) **CLAIM**

We claim the ornamental design for a sink and stand, as shown and described.

(56) **References Cited**

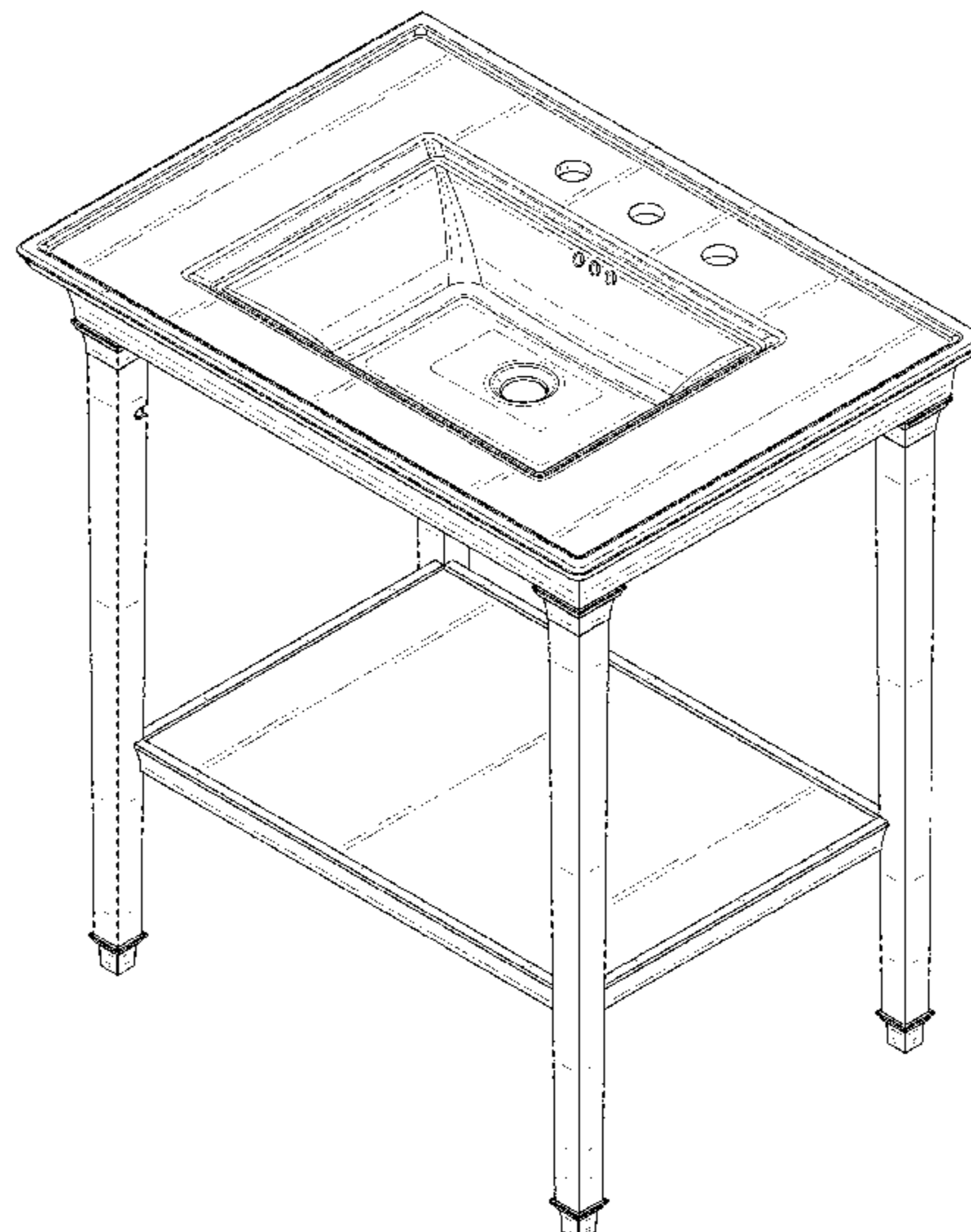
U.S. PATENT DOCUMENTS

- D80,365 S \* 1/1930 French ..... D6/671.1
- D424,179 S \* 5/2000 Chiu ..... D23/284
- D425,971 S \* 5/2000 Chiu ..... D23/284
- D439,076 S 3/2001 Mathieu et al.
- D506,532 S \* 6/2005 Mayer ..... D23/292
- D528,196 S \* 9/2006 Paredes ..... D23/308
- D542,892 S \* 5/2007 Miyamoto ..... D23/292
- D553,398 S \* 10/2007 LeTourneau ..... D23/286
- D563,117 S 3/2008 Mayer et al.
- D630,717 S \* 1/2011 Thomas ..... D23/293.1
- D634,826 S \* 3/2011 Booth ..... D23/290
- D645,946 S 9/2011 Guzman Salazar

**DESCRIPTION**

FIG. 1 is a front perspective view of a sink and stand showing our new design;  
FIG. 2 is a front view thereof;  
FIG. 3 is a rear view thereof;  
FIG. 4 is a side view thereof;  
FIG. 5 is a side view of the opposite side of FIG. 4;  
FIG. 6 is a top view thereof; and,  
FIG. 7 is a bottom view thereof.

**1 Claim, 7 Drawing Sheets**



(56)

**References Cited**

OTHER PUBLICATIONS

Bucher et al., U.S. Office Action dated Dec. 12, 2018, directed to U.S. Appl. No. 29/637,913; 8 pages.

First Notification to Make Rectification dated Nov. 14, 2018, directed to CN Application No. 201830463661.7; 2 pages.

\* cited by examiner

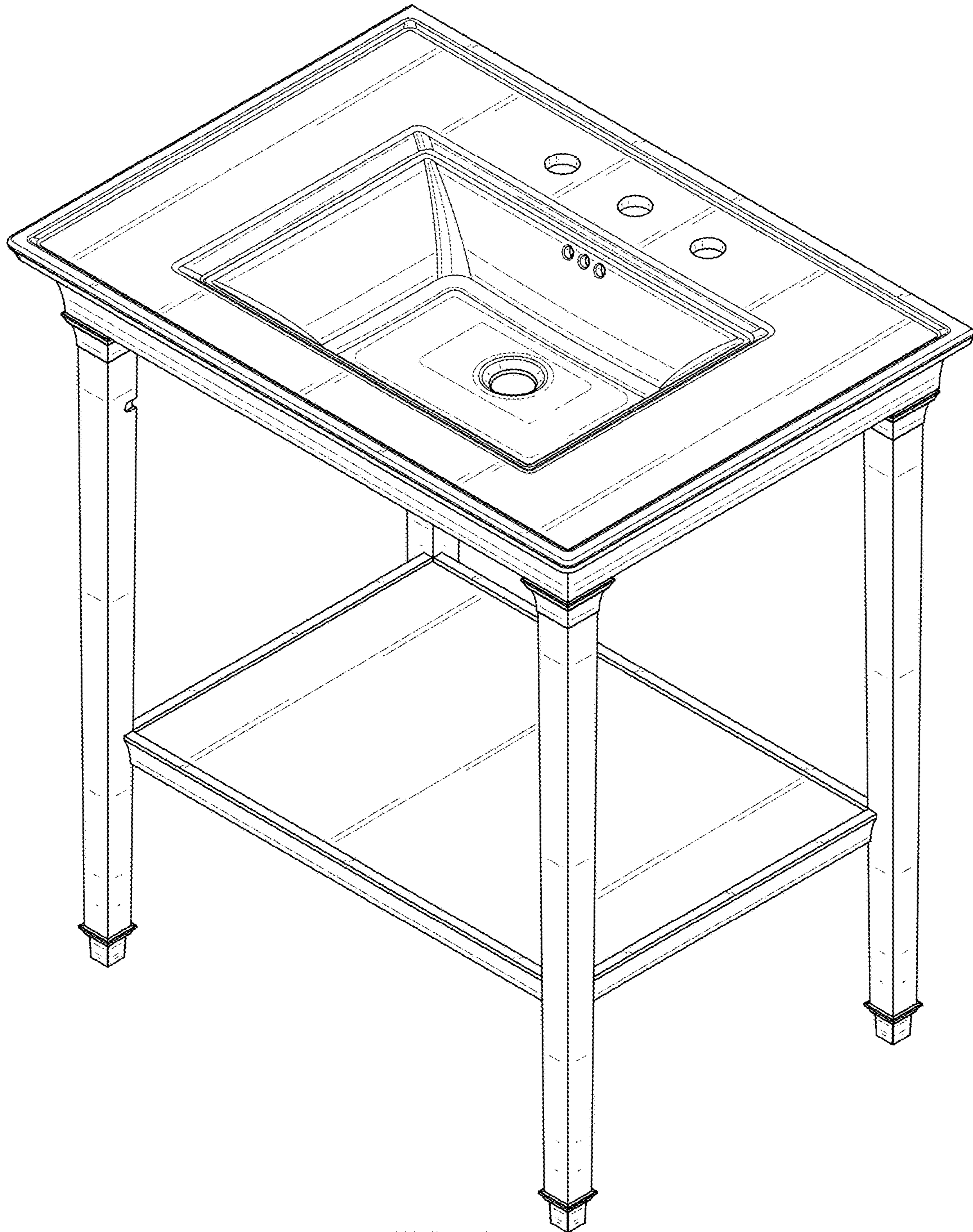


FIG. 1

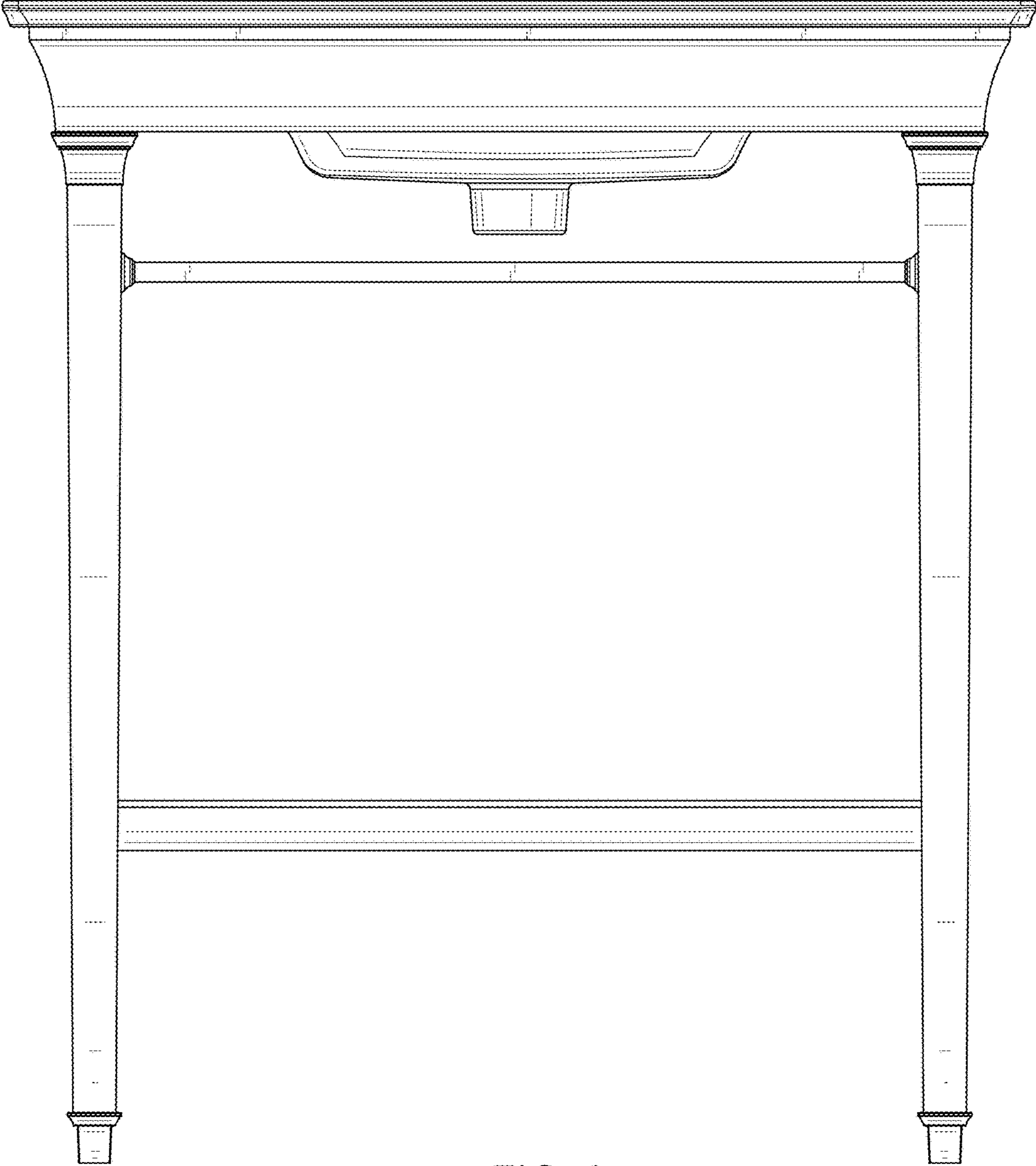


FIG. 2

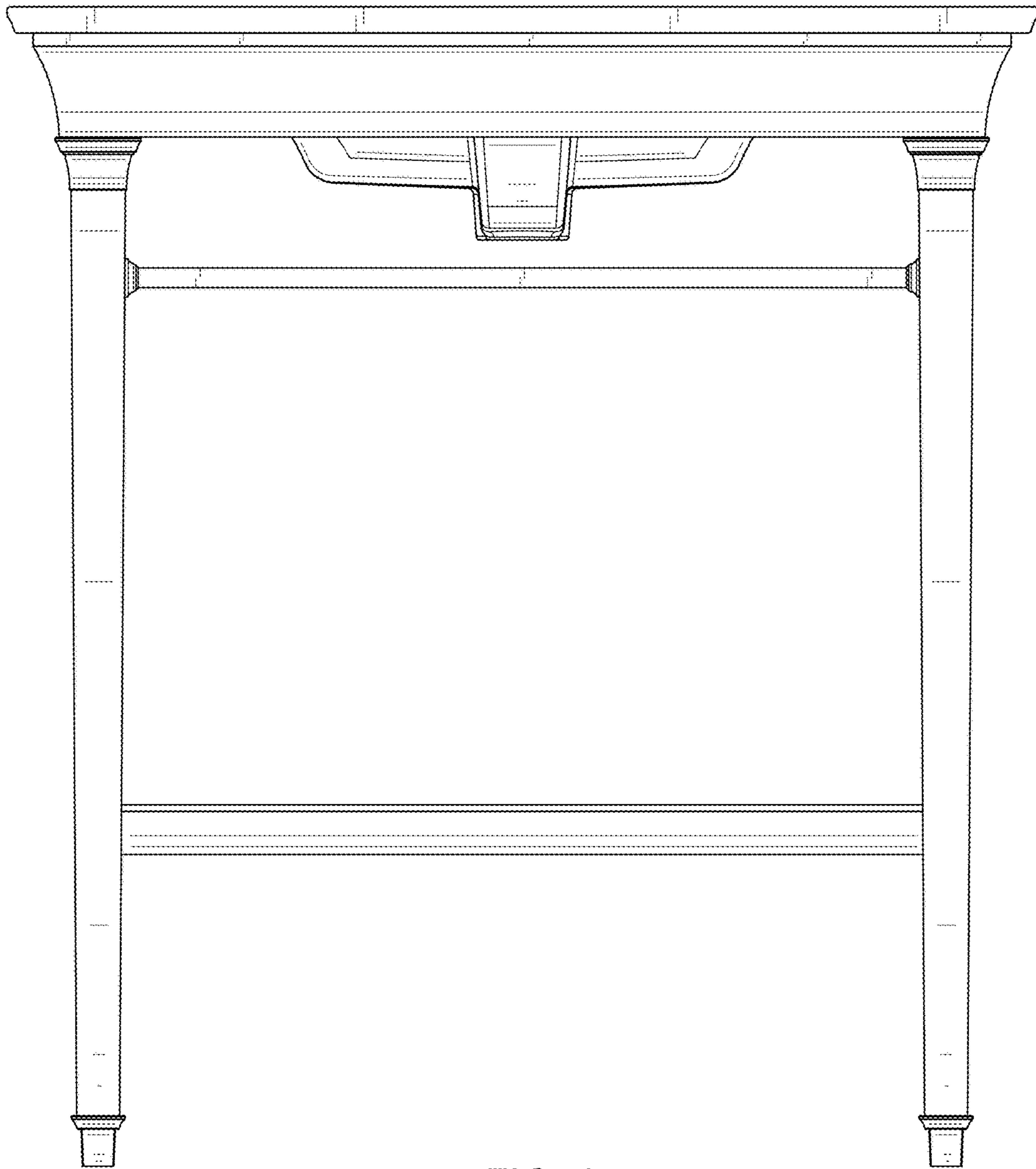


FIG. 3

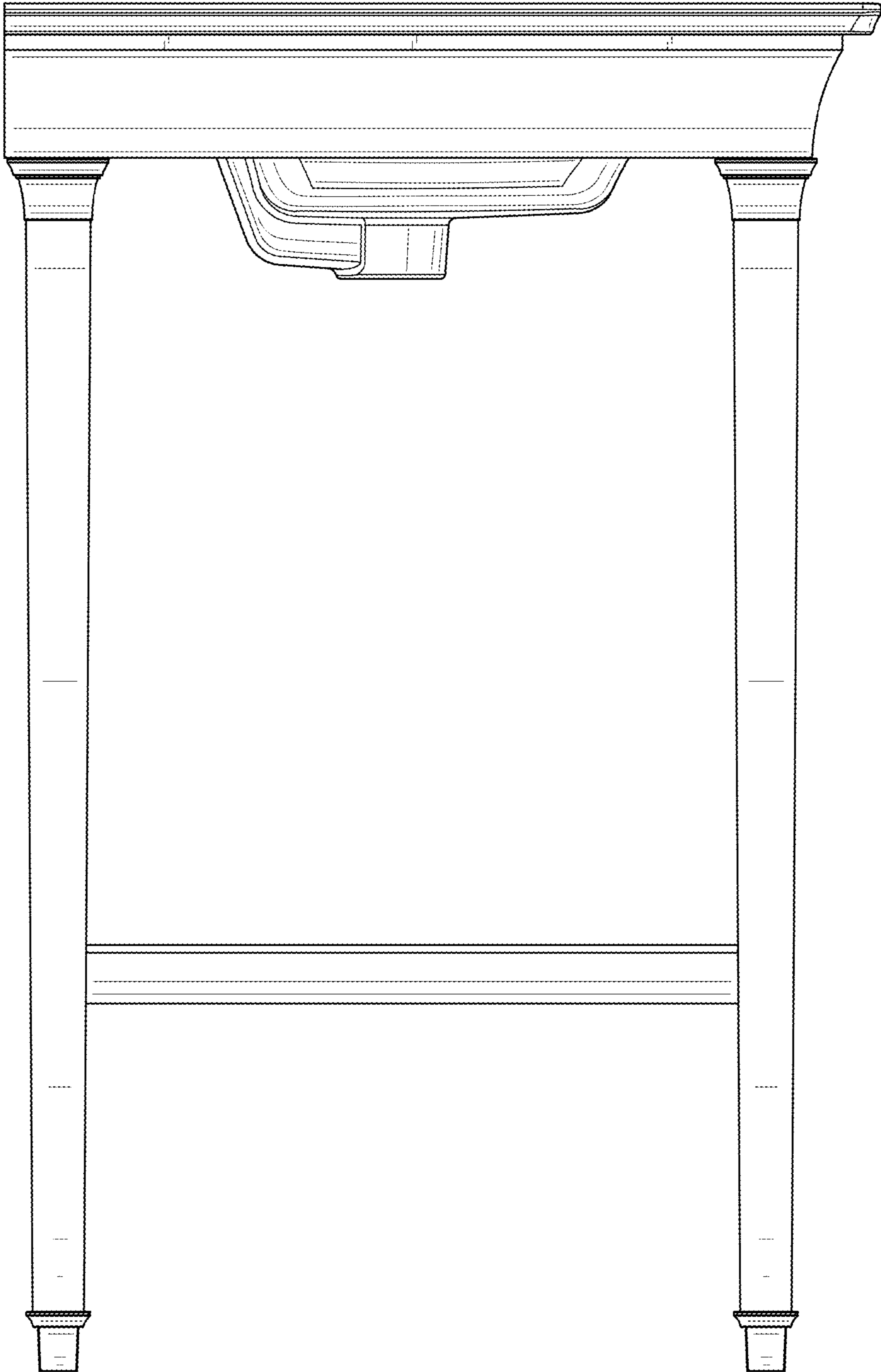


FIG. 4

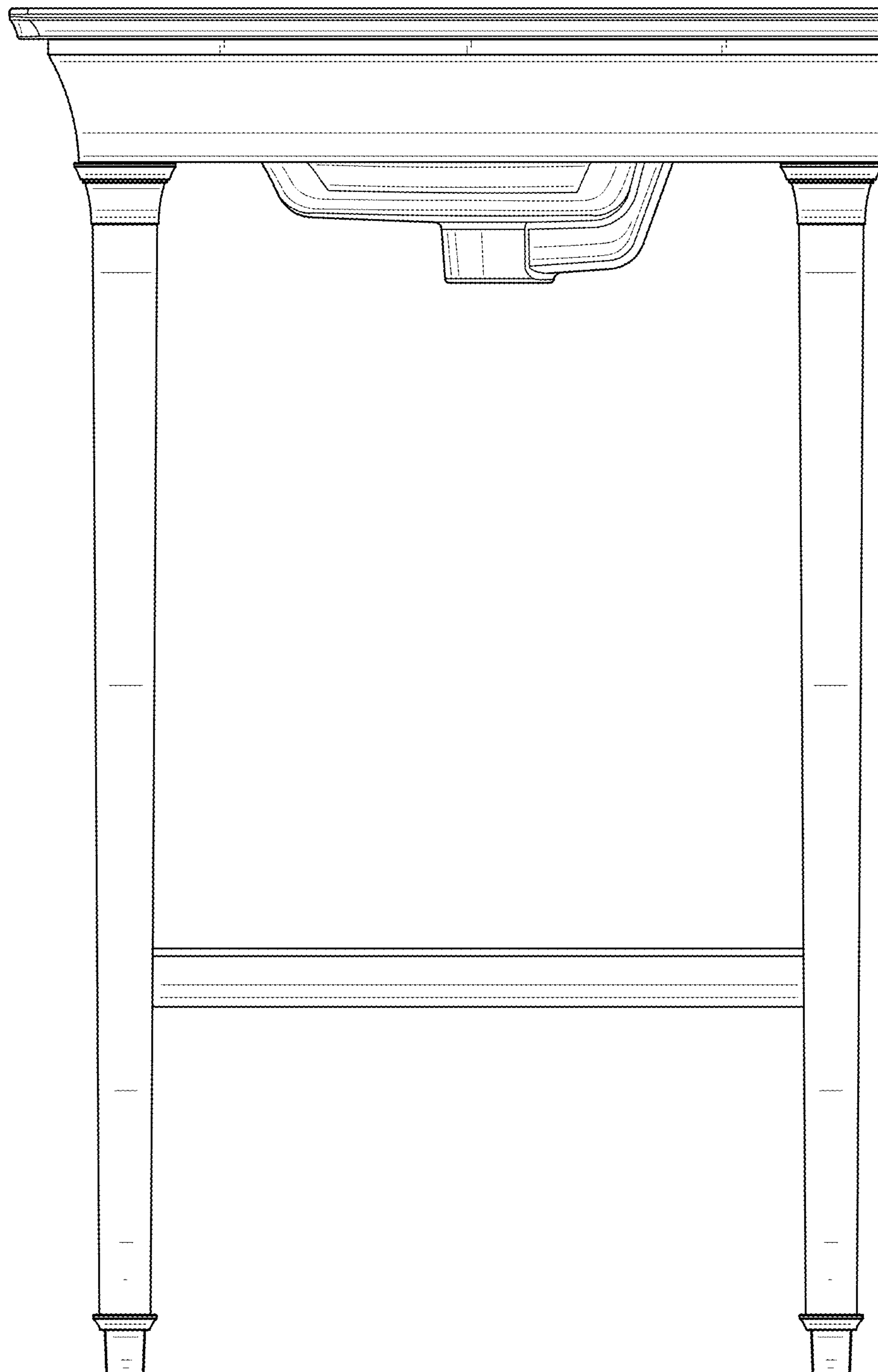


FIG. 5

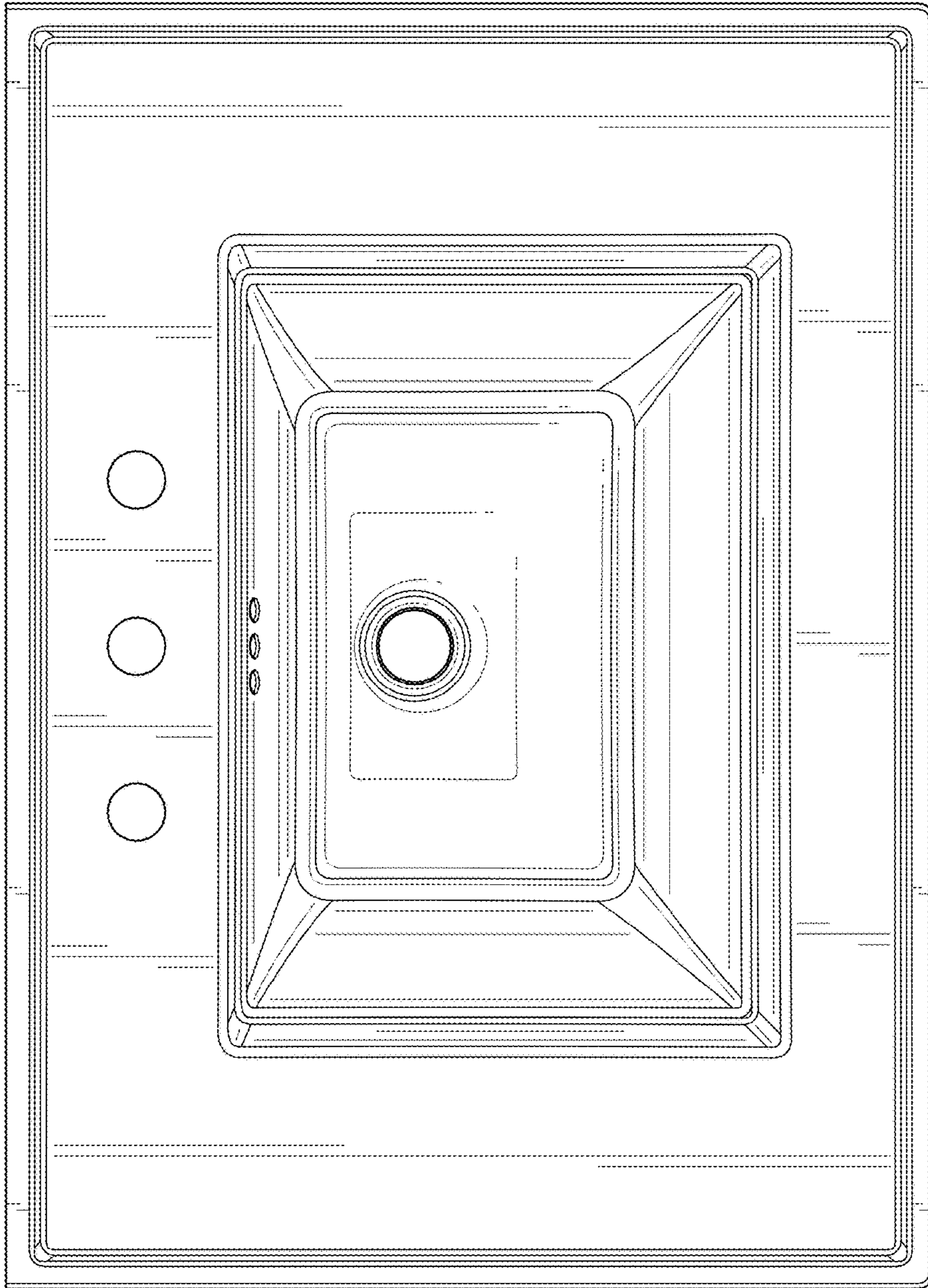


FIG. 6



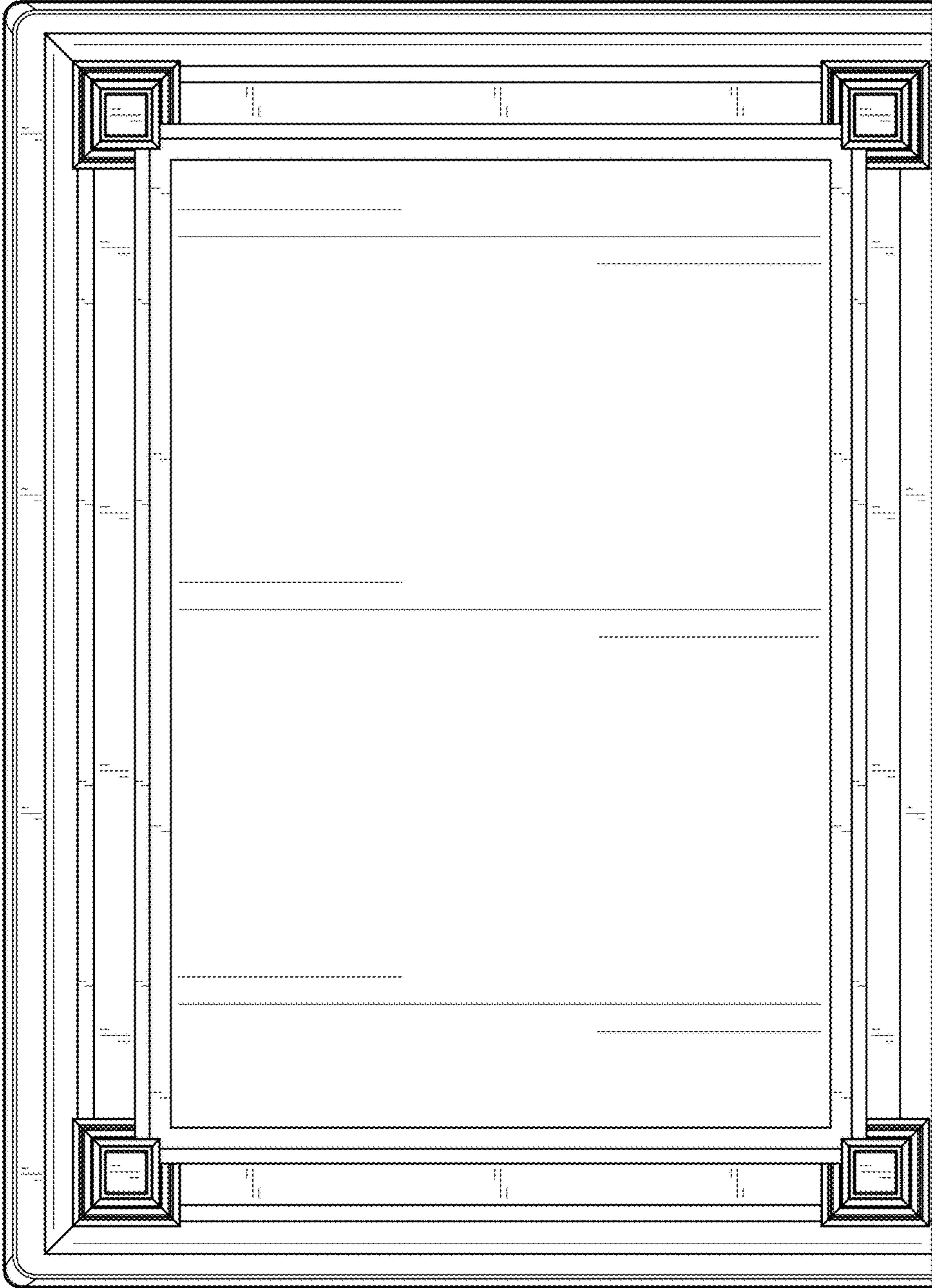


FIG. 7