



US00D848586S

(12) **United States Design Patent**
Yamamoto

(10) **Patent No.:** **US D848,586 S**

(45) **Date of Patent:** **** May 14, 2019**

(54) **SEAL**

FOREIGN PATENT DOCUMENTS

(71) Applicant: **NIPPON VALQUA INDUSTRIES, LTD.**, Tokyo (JP)

JP 550768 3/1981
JP 1200028 S 3/2004

(Continued)

(72) Inventor: **Takahiro Yamamoto**, Gojo (JP)

OTHER PUBLICATIONS

(73) Assignee: **VALQUA, LTD.**, Tokyo (JP)

Japanese Office Action dated Nov. 14, 2016 issued in Japanese counterpart application No. 2016-001512, with English translation.

(**) Term: **15 Years**

(Continued)

(21) Appl. No.: **29/645,578**

(22) Filed: **Apr. 27, 2018**

Related U.S. Application Data

(62) Division of application No. 29/571,746, filed on Jul. 21, 2016, now Pat. No. Des. 819,187.

Primary Examiner — Eric L Goodman

Assistant Examiner — Amy C Wierenga

(74) *Attorney, Agent, or Firm* — Dickinson Wright PLLC

(30) **Foreign Application Priority Data**

Jan. 26, 2016 (JP) 2016-001512

Jan. 26, 2016 (JP) 2016-001513

(Continued)

(57) **CLAIM**

The ornamental design for a seal, as shown and described.

(51) **LOC (11) Cl.** **23-01**

(52) **U.S. Cl.**

USPC **D23/269**

(58) **Field of Classification Search**

USPC D23/262, 269; 277/351–359, 504,

277/562–563, 572, 361–364, 381–382,

277/394–395, 606, 616, 314; 285/42–50

(Continued)

DESCRIPTION

FIG. 1 is a perspective view of a seal showing my new design;

FIG. 2 is a front view thereof;

FIG. 3 is a back view thereof;

FIG. 4 is a top view thereof;

FIG. 5 is a bottom view thereof;

FIG. 6 is a right side view thereof;

FIG. 7 is a left side view thereof;

FIG. 8 is a cross-sectional view of the portion 8-8 of FIG. 4 thereof; and

FIG. 9 is an enlarged cross-sectional view of the portion 9-9 of FIG. 8.

FIG. 10 is an enlarged view of the section 10 of FIG. 1; and, FIG. 11 is an enlarged view of the section 11 of FIG. 2.

The dash-dot broken lines indicate cutoff boundaries for the enlarged cross-sectional portion view that form no part of the claim. The evenly spaced dashed broken lines illustrate portions of the seal that form no part of the claim.

(56) **References Cited**

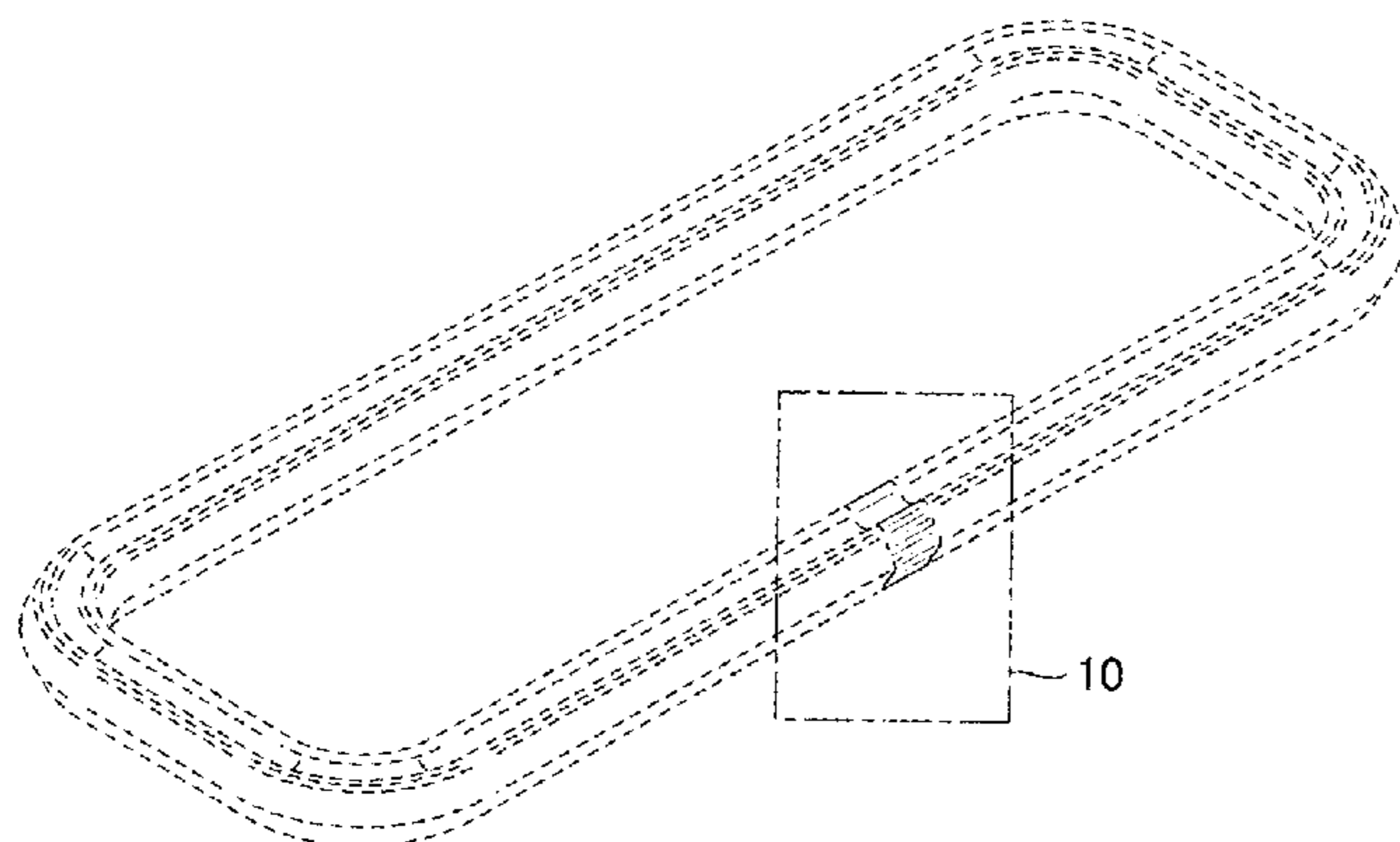
U.S. PATENT DOCUMENTS

3,472,523 A * 10/1969 Carlson, Jr. F16J 15/024
277/649

3,576,330 A * 4/1971 Gard F16J 15/125
277/654

(Continued)

1 Claim, 3 Drawing Sheets



(30) **Foreign Application Priority Data**

Jan. 26, 2016 (JP) 2016-001514
 Jan. 26, 2016 (JP) 2016-001515

(58) **Field of Classification Search**

CPC E04D 13/1406; E04D 13/1407; F16J
 15/106; F16J 15/164

See application file for complete search history.

(56) **References Cited**

U.S. PATENT DOCUMENTS

4,570,944 A * 2/1986 Traub F16J 15/56
 277/572
 5,536,018 A * 7/1996 Szott F16J 15/104
 277/313
 5,692,758 A 12/1997 Wikstrom
 D517,679 S 3/2006 Stout et al.
 D633,991 S 3/2011 Nakagawa
 D638,523 S * 5/2011 Yoshida D23/269
 D646,764 S * 10/2011 Rusconi D23/269
 D655,401 S 3/2012 Muramatsu
 D655,797 S 3/2012 Muramatsu
 D692,391 S 10/2013 Kim
 8,608,856 B2 * 12/2013 Hayashi F16J 15/104
 118/733
 8,888,106 B2 * 11/2014 Hamade F16J 15/104
 277/626
 D737,415 S * 8/2015 Sato D23/269
 D743,513 S * 11/2015 Yamagishi D23/269
 D754,308 S * 4/2016 Nakagawa D23/269

D755,356 S 5/2016 Vaseleniuck et al.
 D776,529 S * 1/2017 Torrison D9/435
 D785,144 S * 4/2017 Kitagawa D23/269
 D818,089 S * 5/2018 Kim D23/269
 D819,187 S * 5/2018 Yamamoto D23/269
 D821,552 S * 6/2018 Nakagawa D23/269
 D822,181 S * 7/2018 Nakagawa D23/269
 10,072,776 B2 * 9/2018 Kocourek F16J 15/062
 2003/0160452 A1 8/2003 Mattsson et al.
 2009/0045371 A1 2/2009 Kamibayashiyama
 2009/0289450 A1 11/2009 Bluhm
 2014/0175310 A1 6/2014 Coppola et al.
 2015/0184761 A1 7/2015 Kusakabe
 2017/0211706 A1 7/2017 Amir et al.

FOREIGN PATENT DOCUMENTS

JP 2005-036926 A 2/2005
 JP 1275000 S 6/2006
 JP 1275345 S 6/2006
 JP 2012-132476 A 7/2012

OTHER PUBLICATIONS

Japanese Office Action dated Nov. 14, 2016 issued in Japanese counterpart application No. 2016-001513, with English translation.
 Japanese Office Action dated Nov. 14, 2016 issued in Japanese counterpart application No. 2016-001514, with English translation.
 Japanese Office Action dated Nov. 14, 2016 issued in Japanese counterpart application No. 2016-001515, with English translation.

* cited by examiner

FIG.1

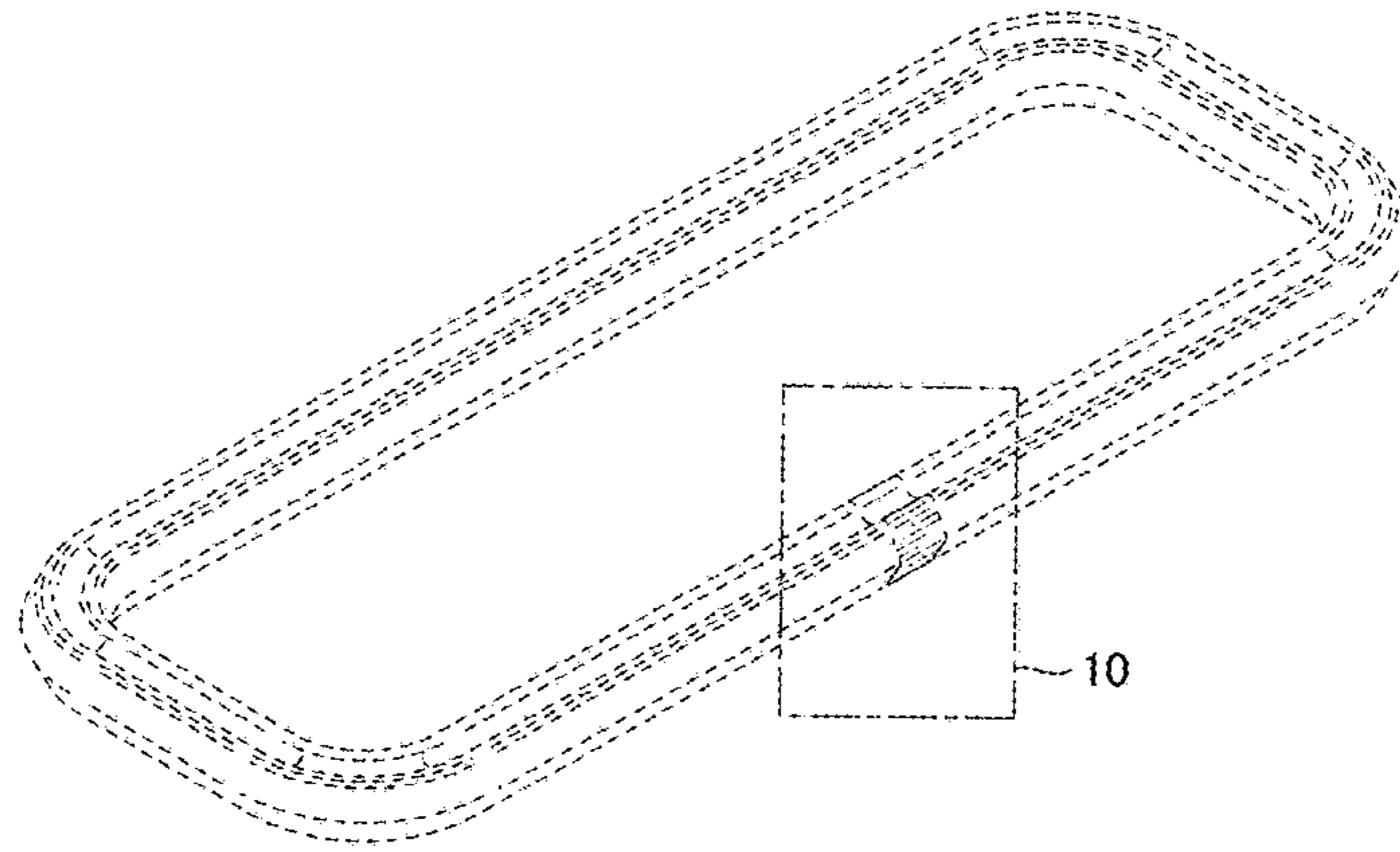


FIG.2

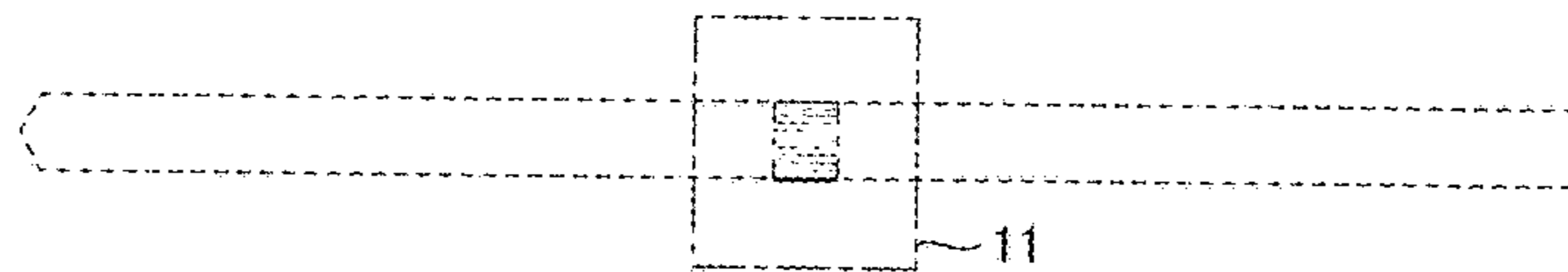


FIG.3

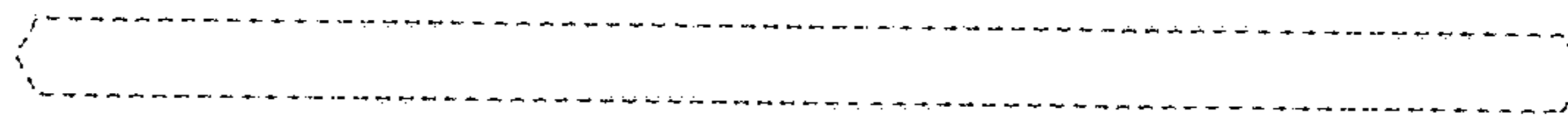


FIG.4

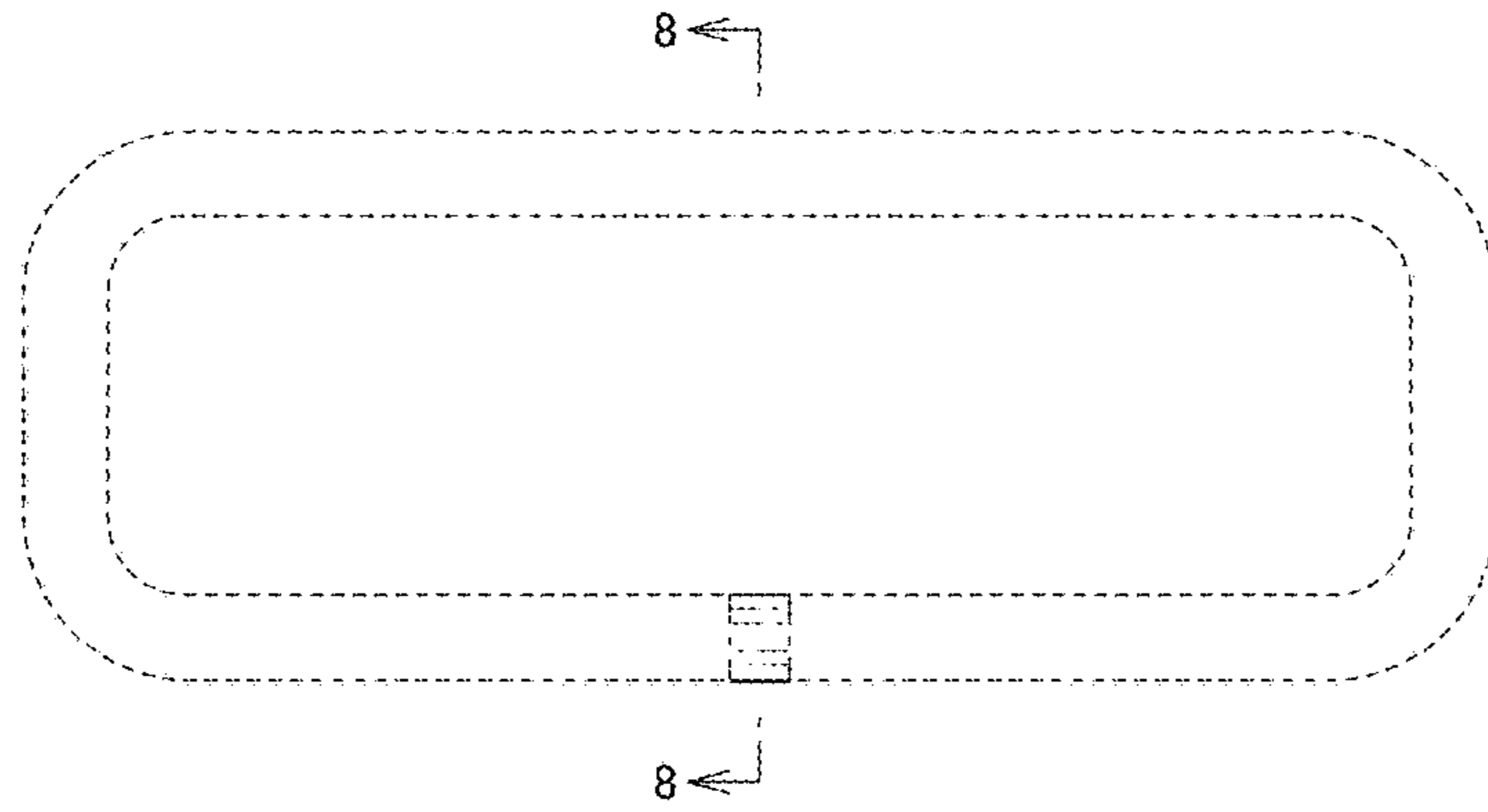


FIG.5

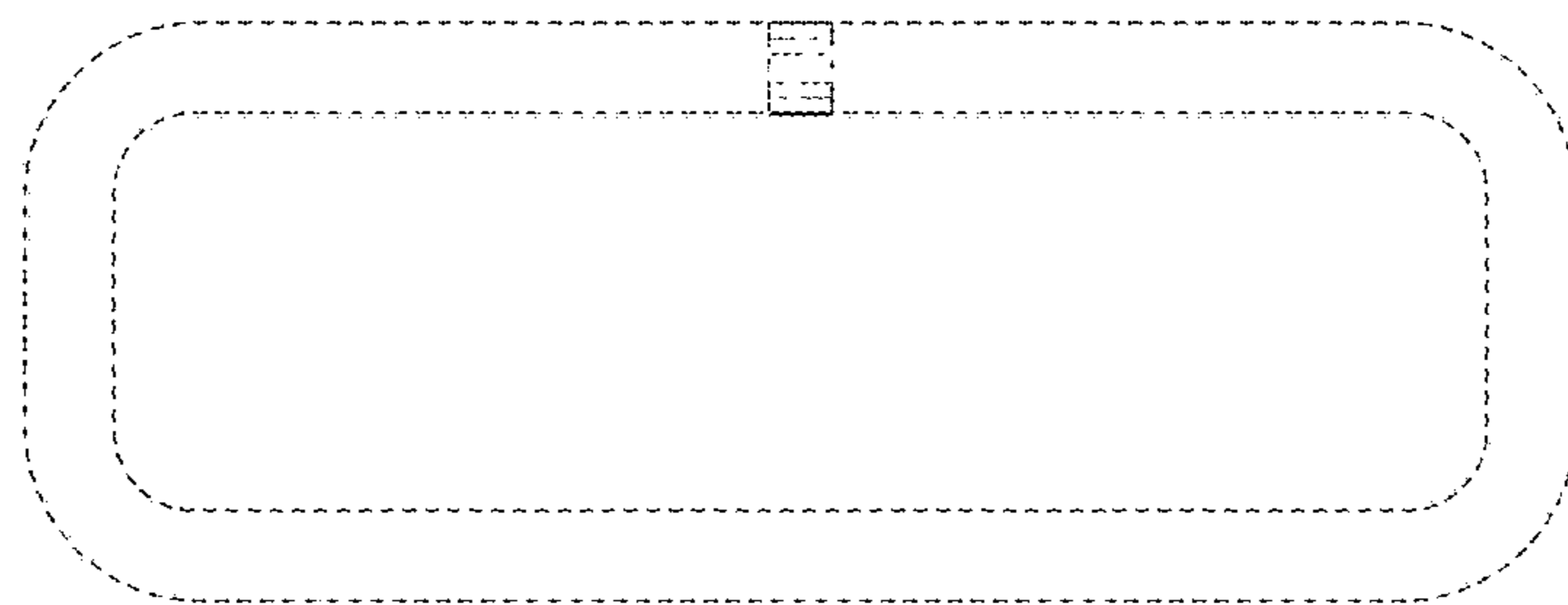


FIG.6

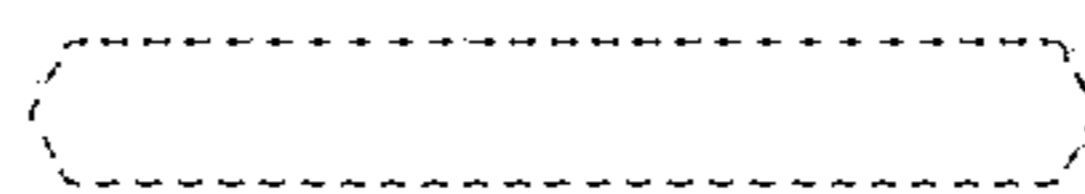


FIG.7

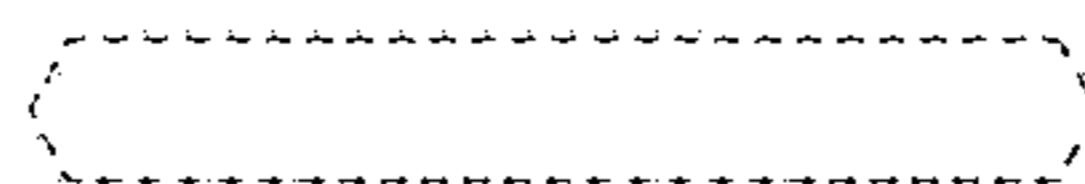


FIG.8

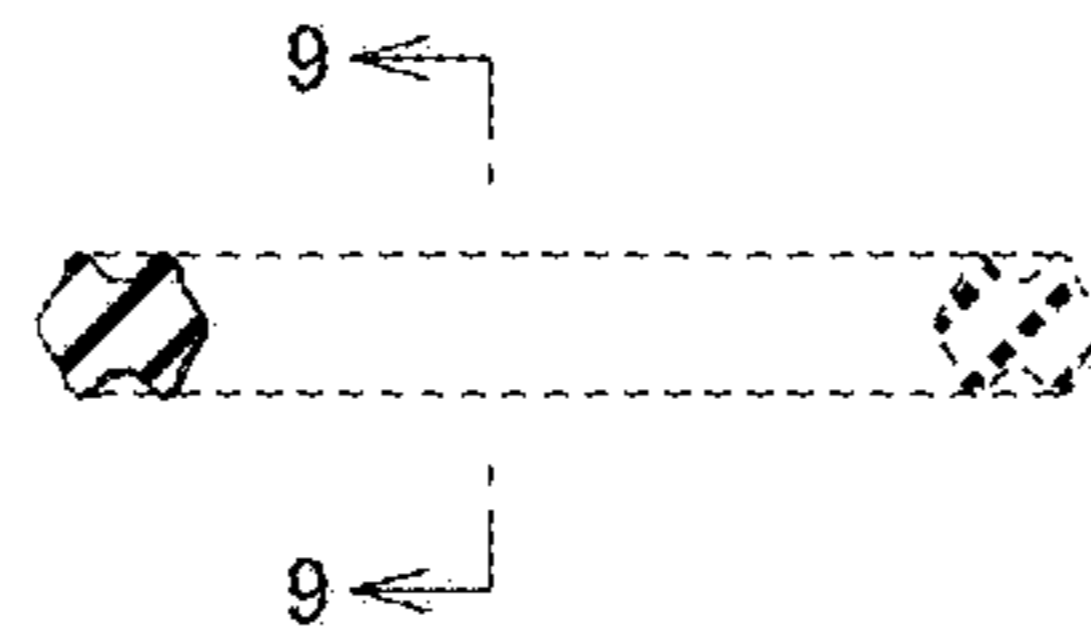


FIG.9

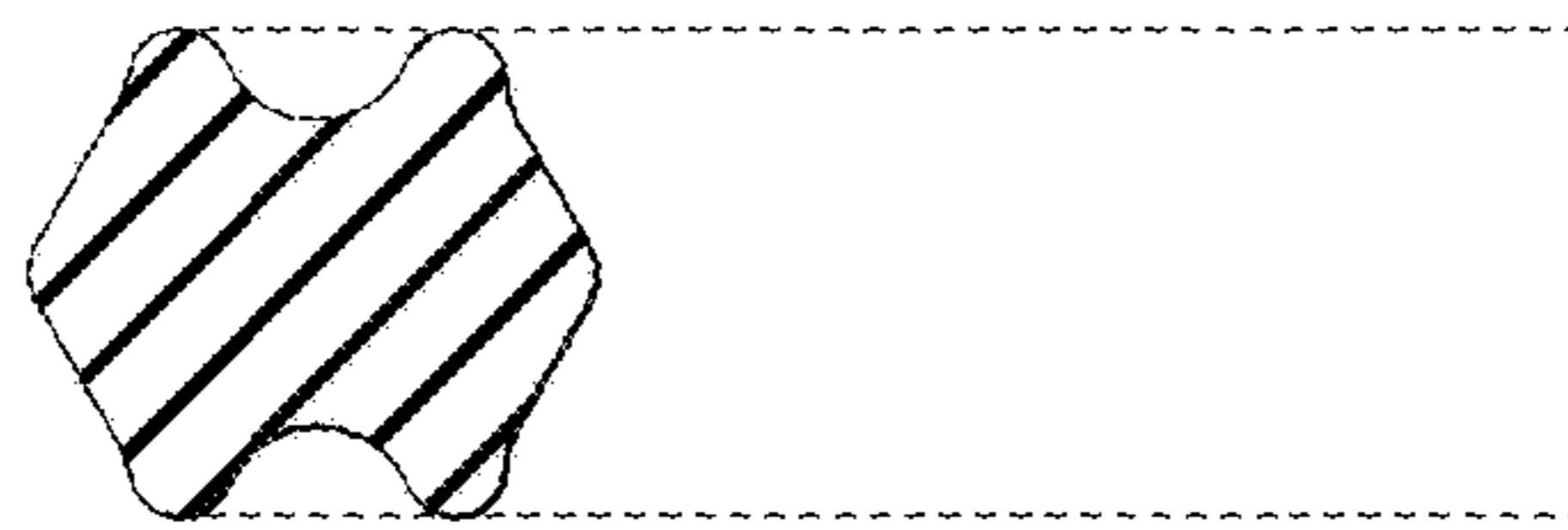


FIG.10

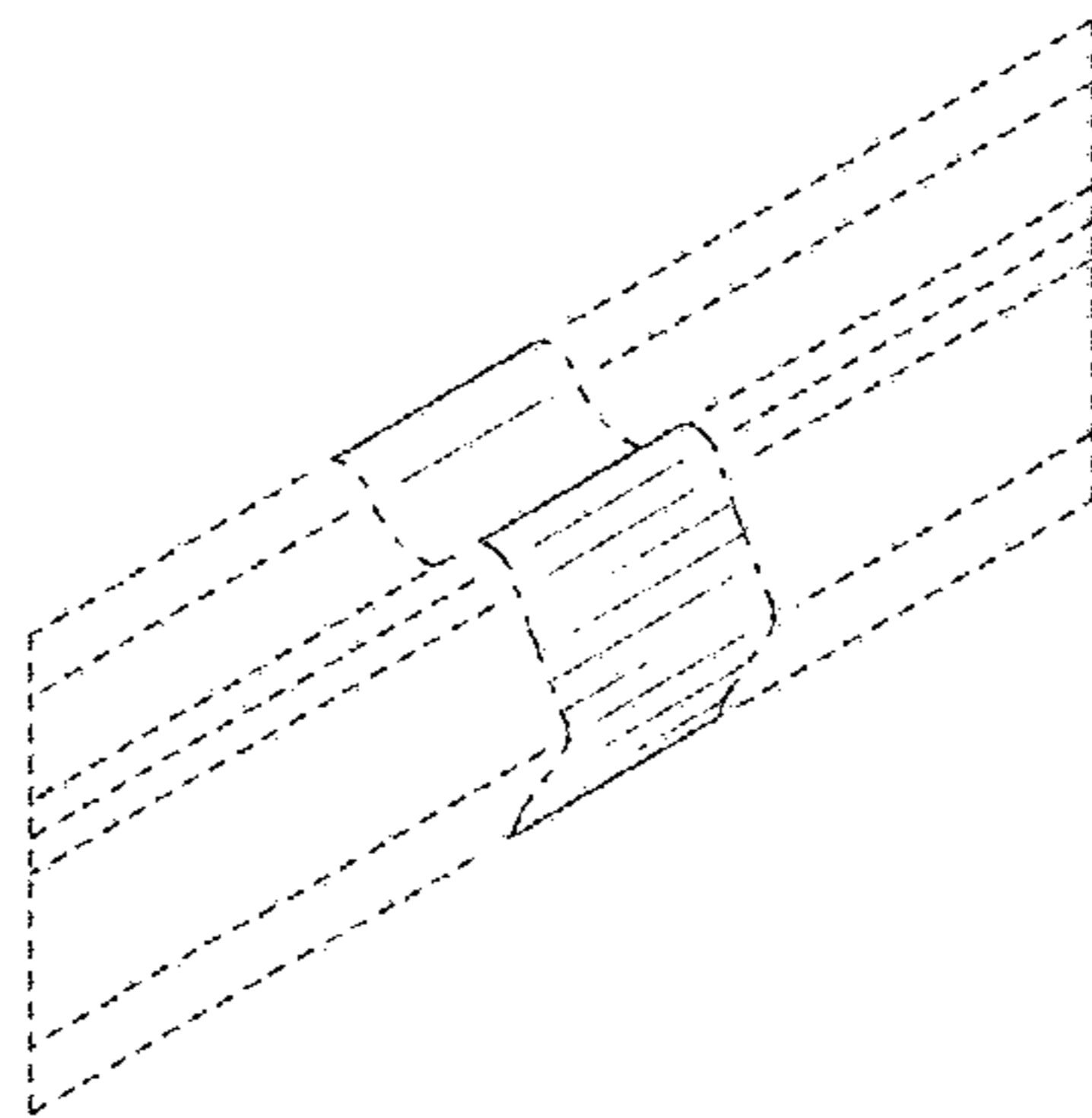


FIG.11

