



US00D848584S

(12) **United States Design Patent**
Jenzeh

(10) **Patent No.:** **US D848,584 S**

(45) **Date of Patent:** **** May 14, 2019**

(54) **APPARATUS FOR MAGNETIC TREATMENT OF FLUIDS**

(71) Applicant: **Michael Jenzeh**, Oakland, CA (US)

(72) Inventor: **Michael Jenzeh**, Oakland, CA (US)

(**) Term: **15 Years**

(21) Appl. No.: **29/636,341**

(22) Filed: **Feb. 7, 2018**

(51) **LOC (11) Cl.** **23-01**

(52) **U.S. Cl.**
USPC **D23/259**

(58) **Field of Classification Search**
USPC D23/259, 262, 264–265, 207, 233, 269;
D8/349, 396, 394–395; 138/109,
138/158–159, 169, 39, 44, 106; 285/179,
285/285.1, 286.1, 291.2, 145.3, 242, 251,
285/256; D24/220; 210/222, 695,
210/167.03, 167.29, 223, 418
CPC C02F 2303/22; C02F 1/482; F16L 27/125;
F16L 27/053; F16L 27/08; F16L 57/06
See application file for complete search history.

(56) **References Cited**

U.S. PATENT DOCUMENTS

D30,405 S *	3/1899	Gilbert	D23/269
D319,287 S *	8/1991	Baumstark	D23/207
5,804,068 A *	9/1998	Reed	A23L 2/50
				206/818
D617,429 S *	6/2010	Govoni	D23/262
D735,292 S *	7/2015	Johnson	D23/207
9,902,629 B2 *	2/2018	Jenzeh	C02F 1/482
2004/0245179 A1 *	12/2004	Elsegood	B01D 27/00
				210/695
2006/0231474 A1 *	10/2006	Chang	C02F 1/482
				210/222
2014/0367340 A1 *	12/2014	Caleffi	B03C 1/288
				210/695

2015/0096928 A1 *	4/2015	Adey	B03C 1/286
				210/222
2015/0260554 A1 *	9/2015	Yamashita	F16L 23/02
				285/55
2016/0326028 A1 *	11/2016	Jenzeh	C02F 1/482
2018/0023738 A1 *	1/2018	Mathers	G01M 3/2853
				285/145.3

* cited by examiner

Primary Examiner — Eric L Goodman

Assistant Examiner — Amy C Wierenga

(74) *Attorney, Agent, or Firm* — Brian Beverly; Beeson Skinner Beverly, LLP

(57) **CLAIM**

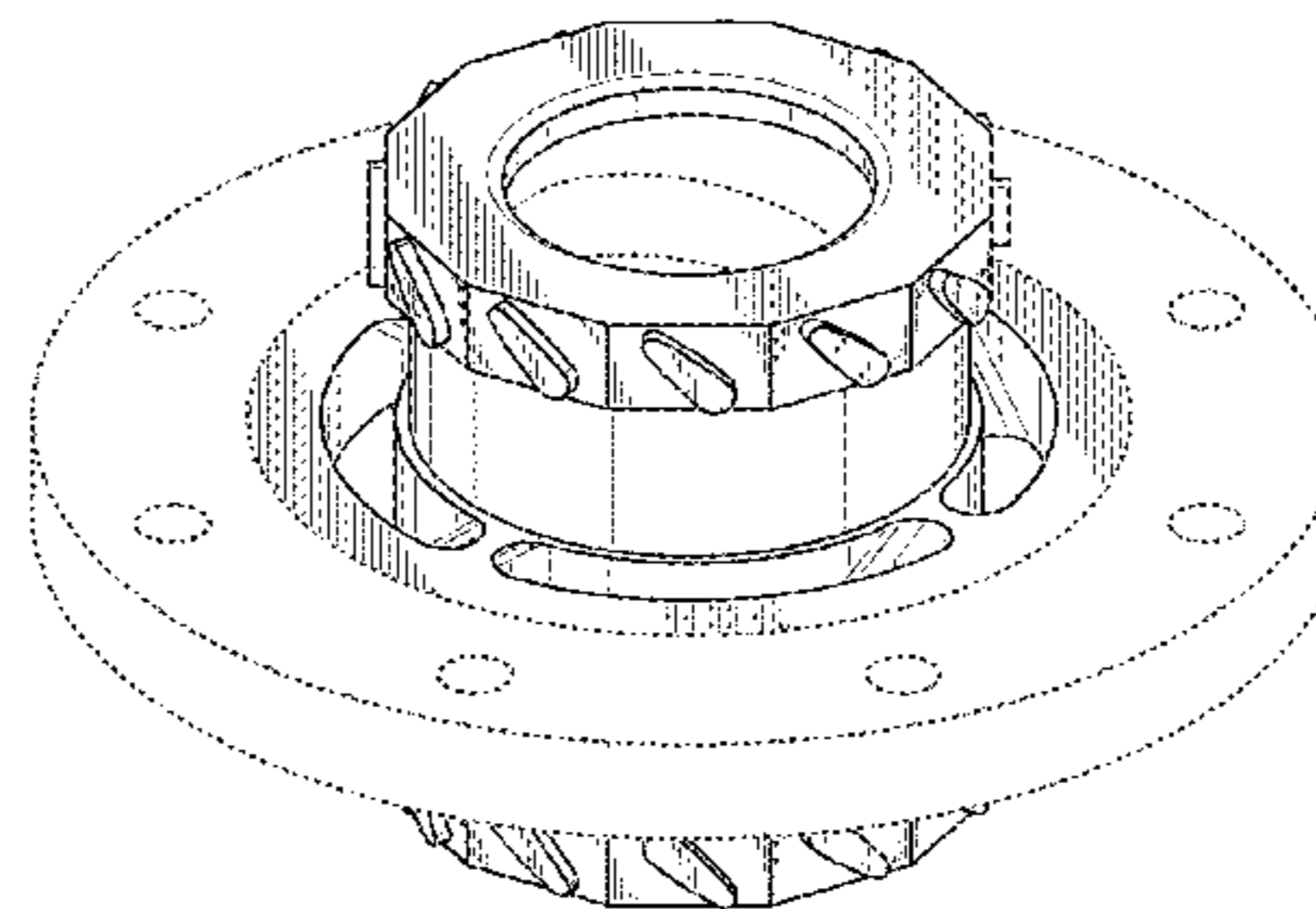
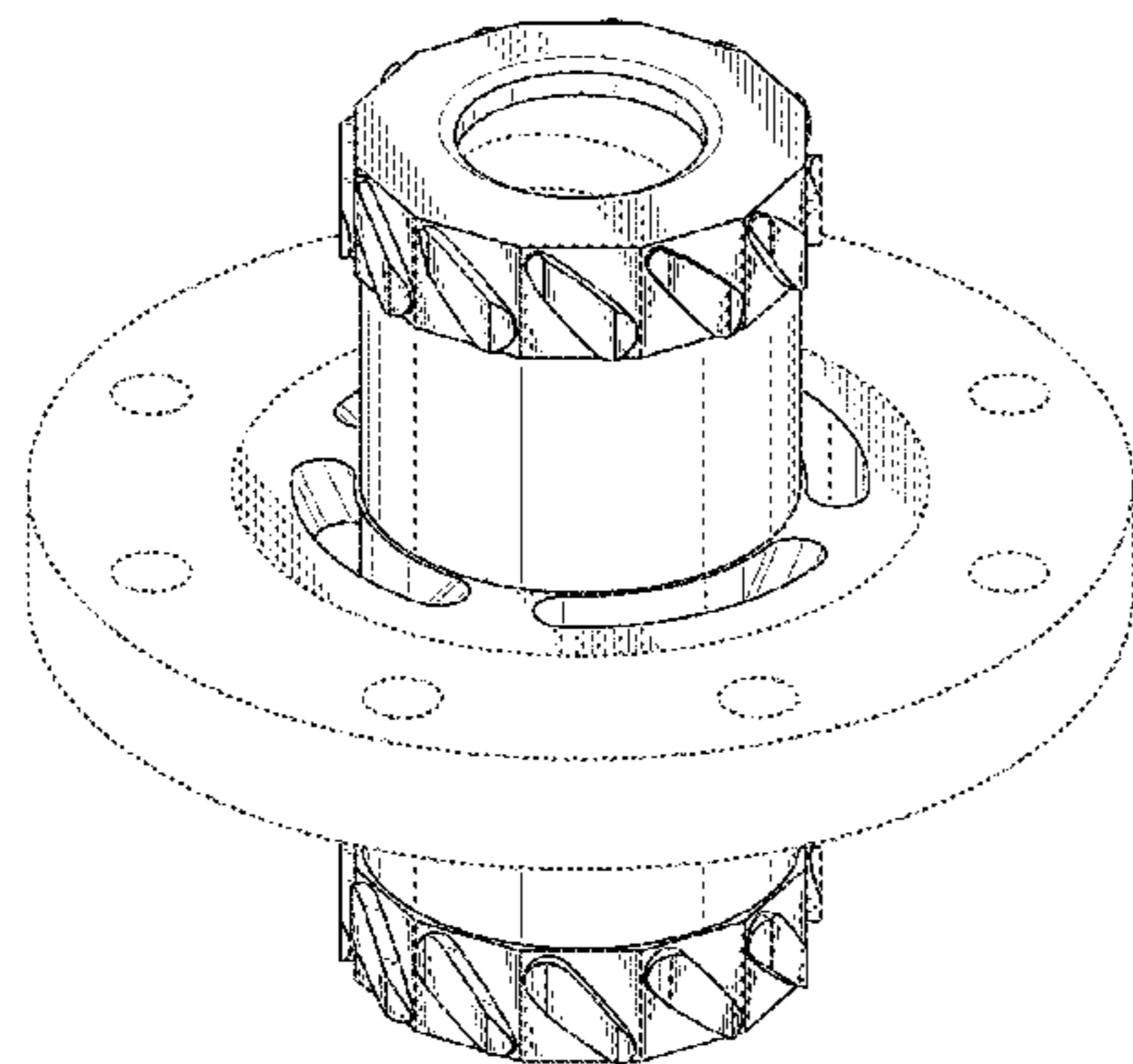
The ornamental design for an apparatus for magnetic treatment of fluids, as shown and described.

DESCRIPTION

FIG. 1 is an upper perspective view of the apparatus for magnetic treatment of fluids, showing my new design; FIG. 2 is a front elevational view thereof, the rear, left side, and right side elevational views being identical thereto; FIG. 3 is a top plan view thereof, the bottom plan view being a mirror image thereof; FIG. 4 is an upper perspective view of a second embodiment of the apparatus for magnetic treatment of fluids, showing my new design; FIG. 5 is a front elevational view thereof, the rear, left side, and right side elevational views being identical thereto; and, FIG. 6 is a top plan view thereof, the bottom plan view being a mirror image thereof.

The broken lines shown in FIGS. 1-6 show the outer part of a connecting ring that forms no part of the claimed design. The broken lines shown in FIGS. 1 and 4 in the center bore of the apparatus show a spiral rifling pattern that forms no part of the claimed design.

1 Claim, 6 Drawing Sheets



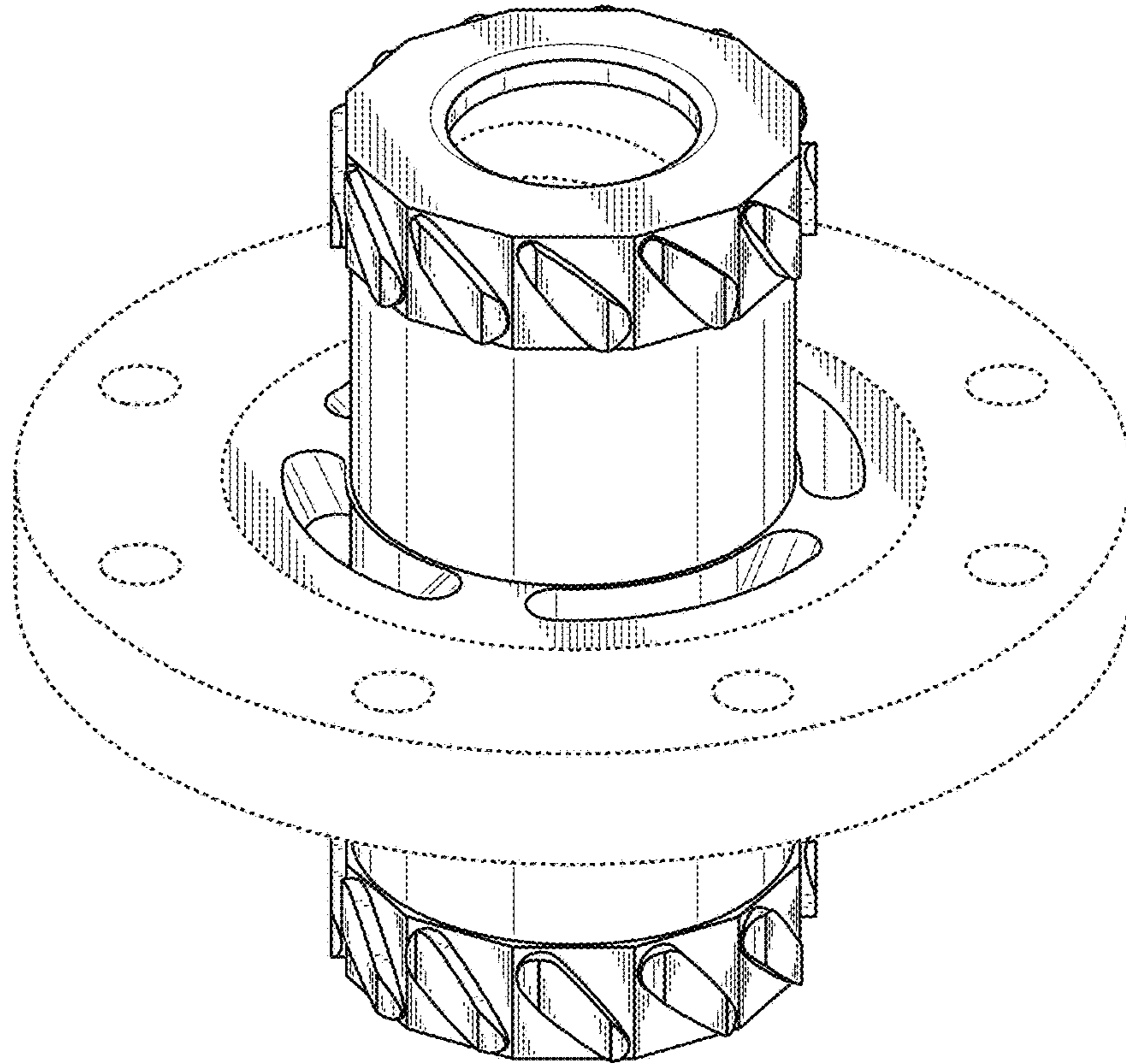


FIG. 1

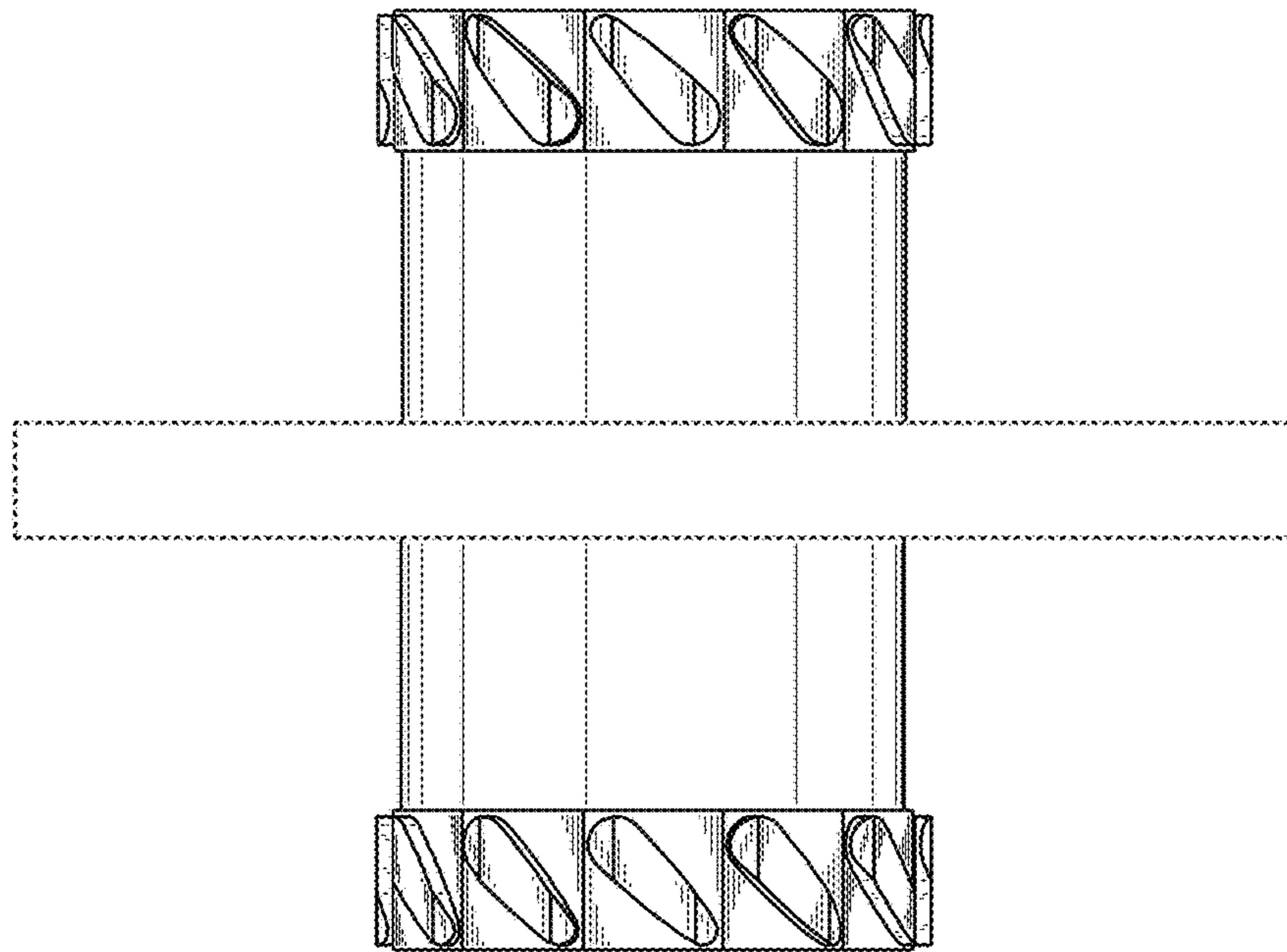


FIG. 2

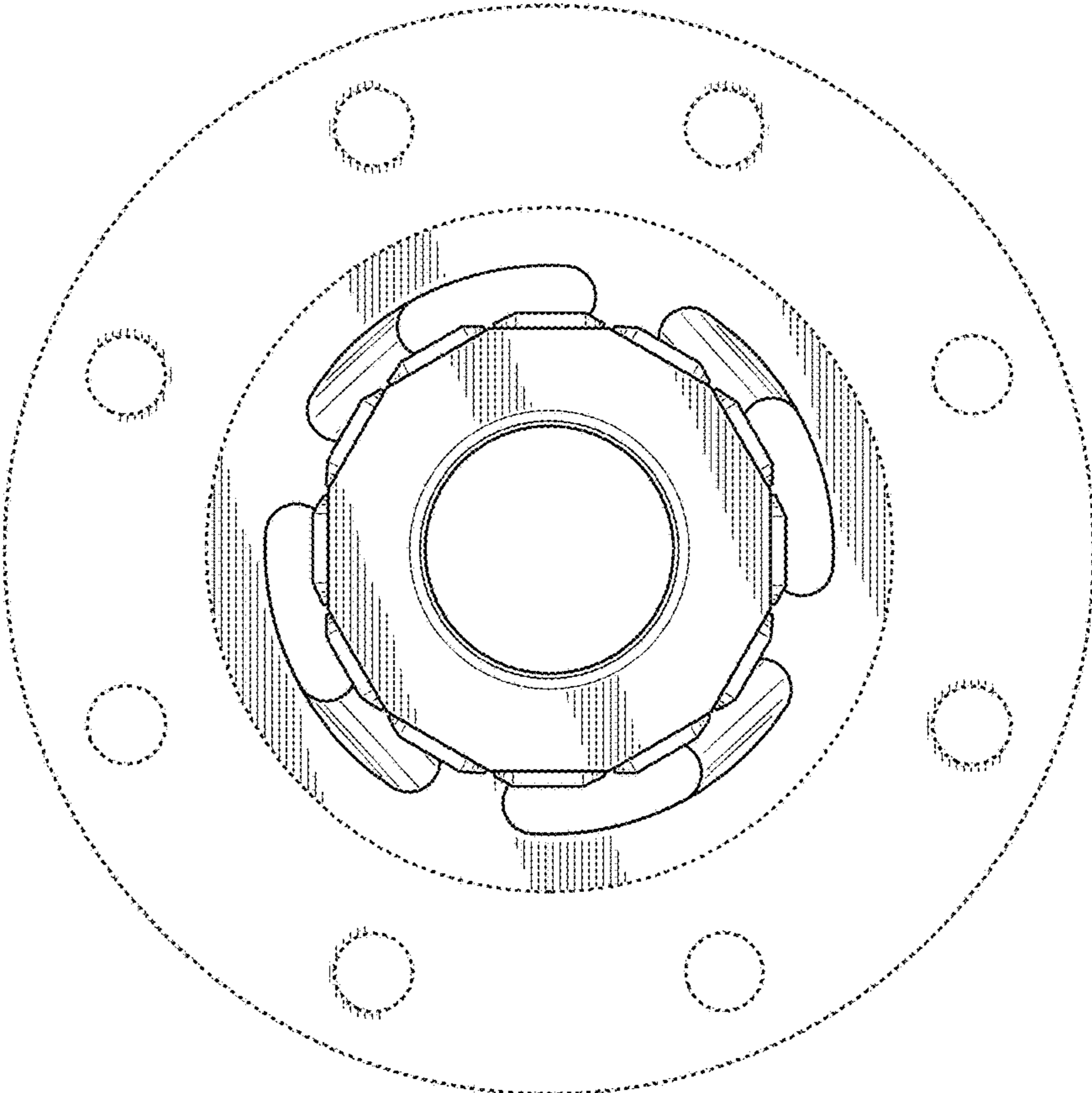


FIG. 3

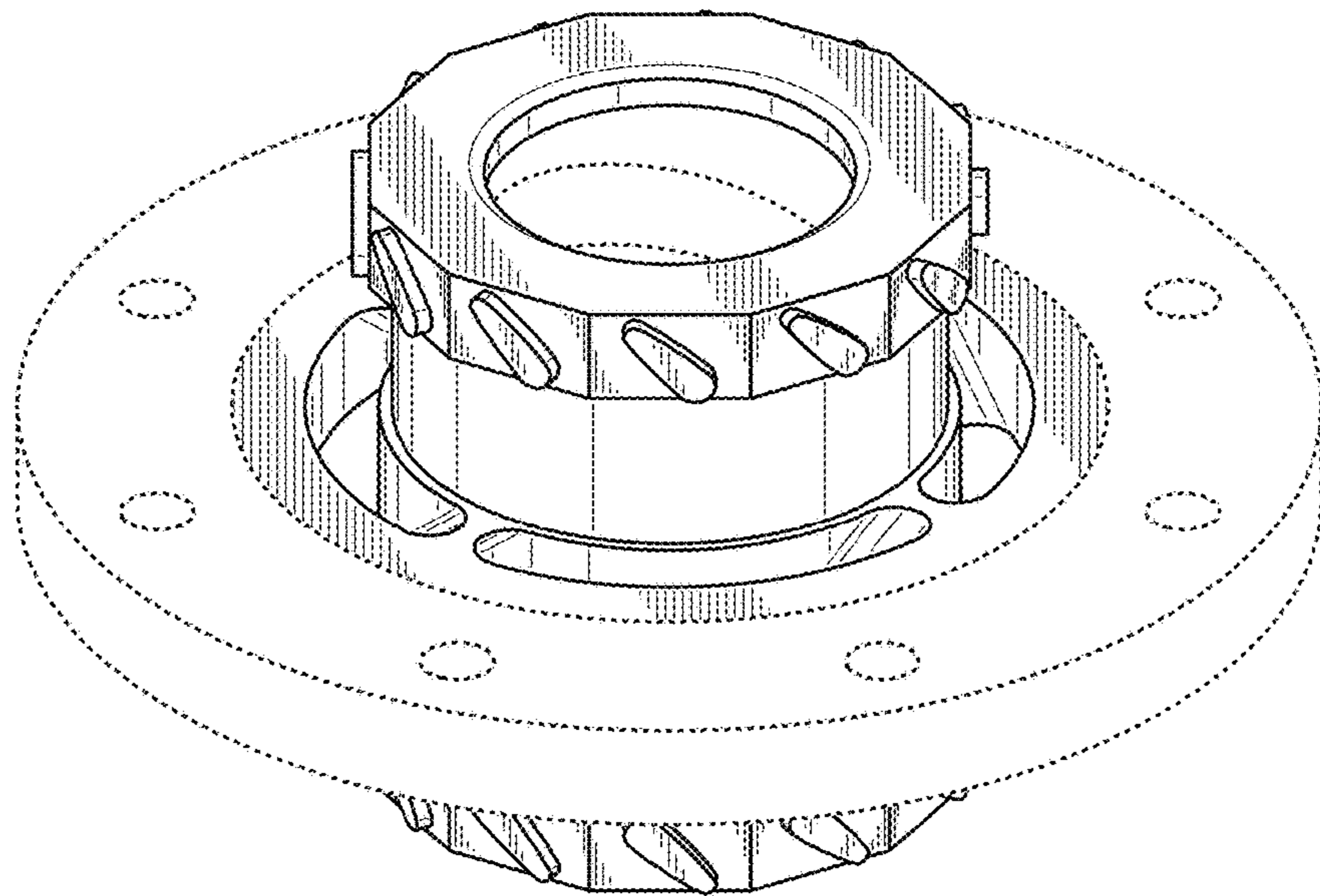


FIG. 4

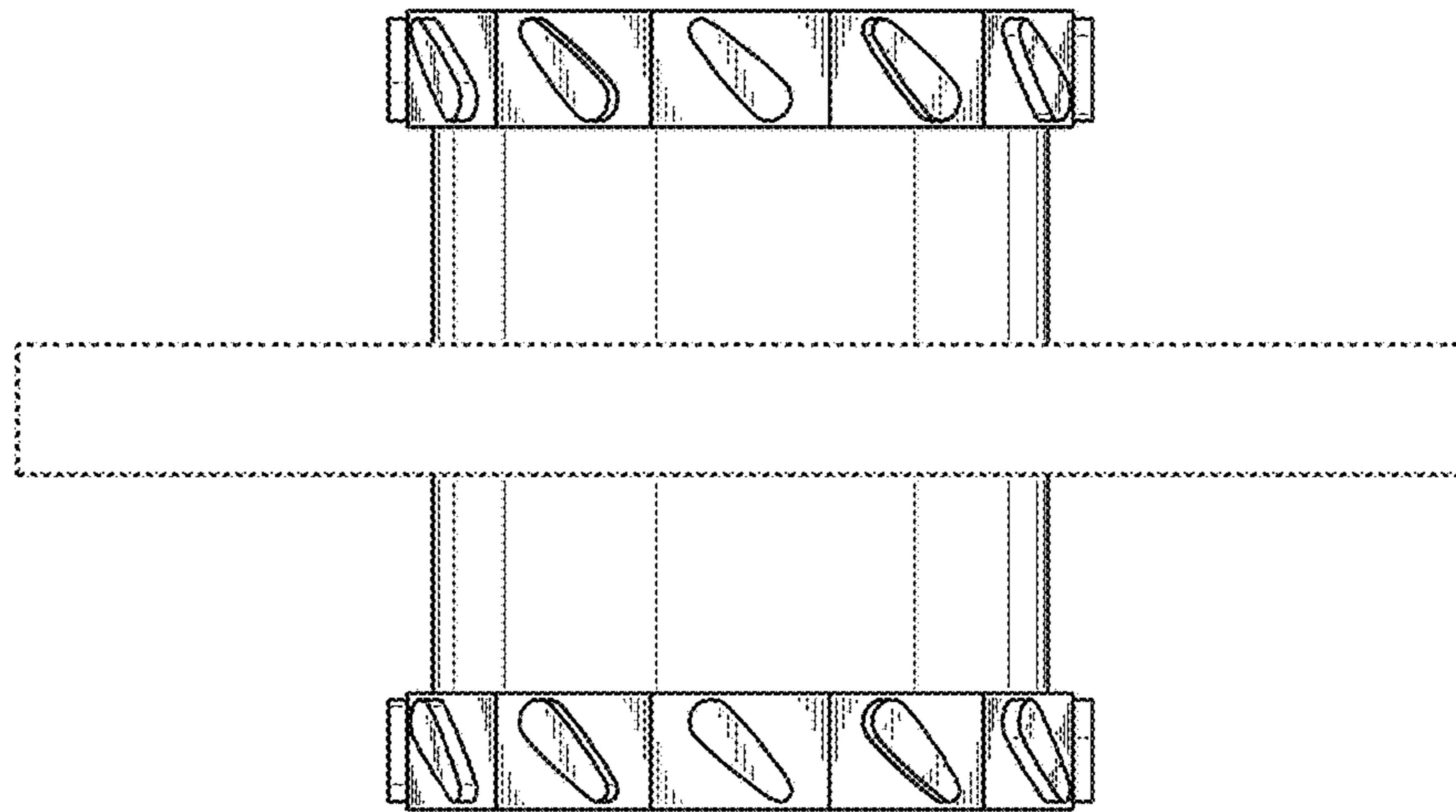


FIG. 5

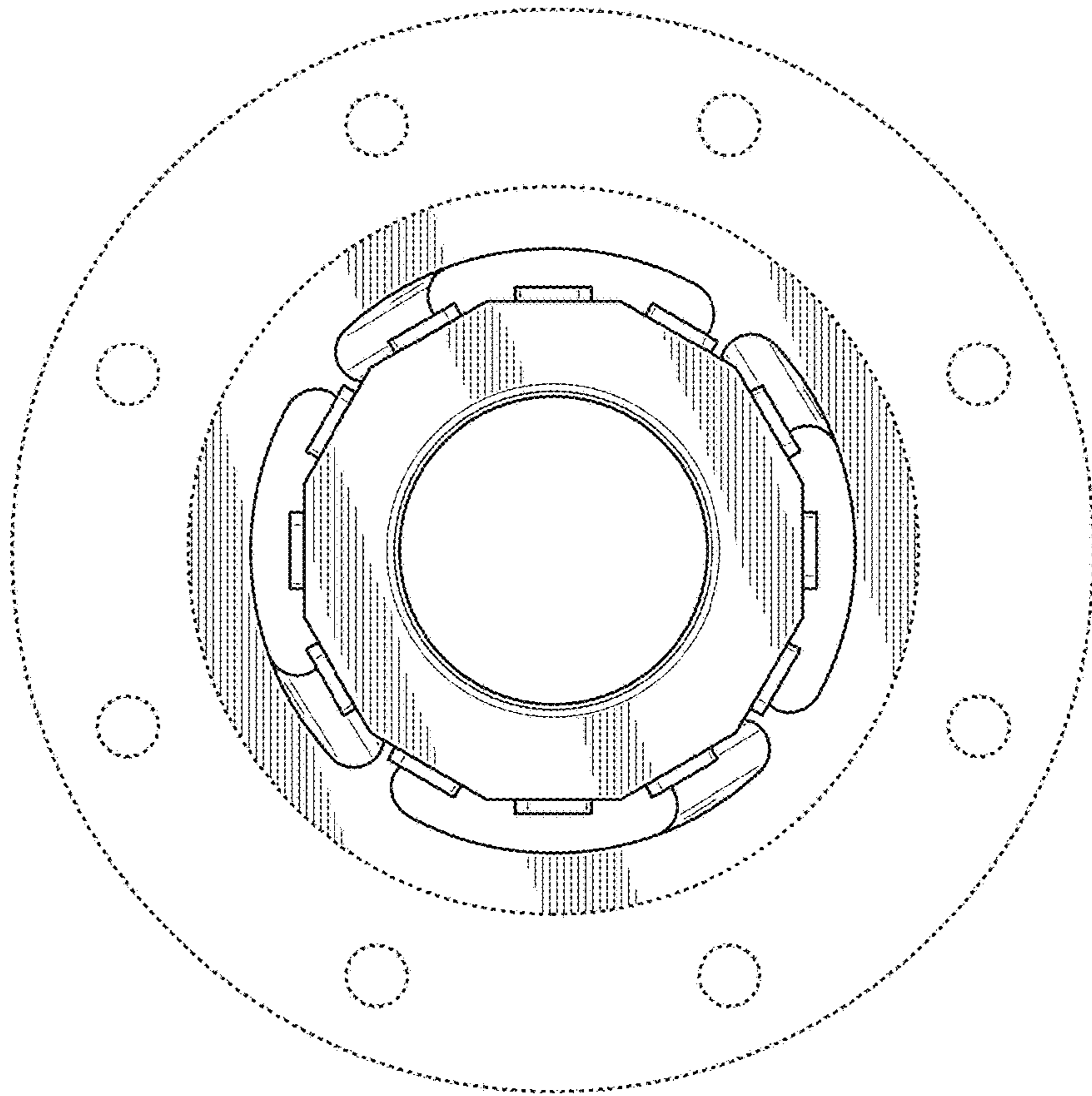


FIG. 6