



US00D848583S

(12) **United States Design Patent**
Nagai et al.

(10) **Patent No.:** **US D848,583 S**

(45) **Date of Patent:** **** May 14, 2019**

(54) **HOSE CLAMP**

(71) Applicant: **PIOLAX, INC.**, Yokohama-shi (JP)

(72) Inventors: **Takao Nagai**, Yokohama (JP); **Ken Sodeyama**, Yokohama (JP)

(73) Assignee: **PIOLAX, INC.**, Yokohama-Shi, Kanagawa (JP)

(**) Term: **15 Years**

(21) Appl. No.: **29/614,842**

(22) Filed: **Aug. 23, 2017**

(30) **Foreign Application Priority Data**

Mar. 29, 2017 (JP) 2017-006434

(51) **LOC (11) Cl.** **23-01**

(52) **U.S. Cl.**
USPC **D23/259**; D8/394

(58) **Field of Classification Search**
USPC D23/259, 262, 264-266; D8/354, 382, D8/394-395, 499, 56-57; D11/26-28; 248/75, 94, 111, 113; D24/110, 128; D25/119

CPC F16L 33/025; F16L 33/023; F16L 33/021; A47F 7/14

See application file for complete search history.

(56) **References Cited**

U.S. PATENT DOCUMENTS

D80,664 S * 3/1930 Moore et al. D8/307
D241,314 S * 9/1976 Hug D8/395
D295,315 S * 4/1988 Nelson D24/130
D333,012 S * 2/1993 Fleming D26/138
D373,077 S * 8/1996 Dudley D8/499

D383,050 S * 9/1997 Palmer D8/354
D402,536 S * 12/1998 Cousins D8/354
D409,293 S * 5/1999 Senninger D23/265
D417,136 S * 11/1999 Jackovin D8/356
D600,542 S * 9/2009 Zemel D8/395
D605,761 S * 12/2009 Stefan D24/133
D732,009 S * 6/2015 Bak D14/229
D823,836 S * 7/2018 Eaton D14/229
D824,247 S * 7/2018 Minai D8/396
D834,568 S * 11/2018 Pooley D14/229
D834,703 S * 11/2018 Babbage D24/110

* cited by examiner

Primary Examiner — Eric L Goodman

Assistant Examiner — Amy C Wierenga

(74) *Attorney, Agent, or Firm* — McGinn IP Law Group, PLLC.

(57) **CLAIM**

The ornamental design for hose clamp, as shown and described.

DESCRIPTION

FIG. 1 is a perspective view of a hose clamp showing our new design;

FIG. 2 is a front view thereof;

FIG. 3 is a rear view thereof;

FIG. 4 is a left-side view thereof;

FIG. 5 is a right-side view thereof;

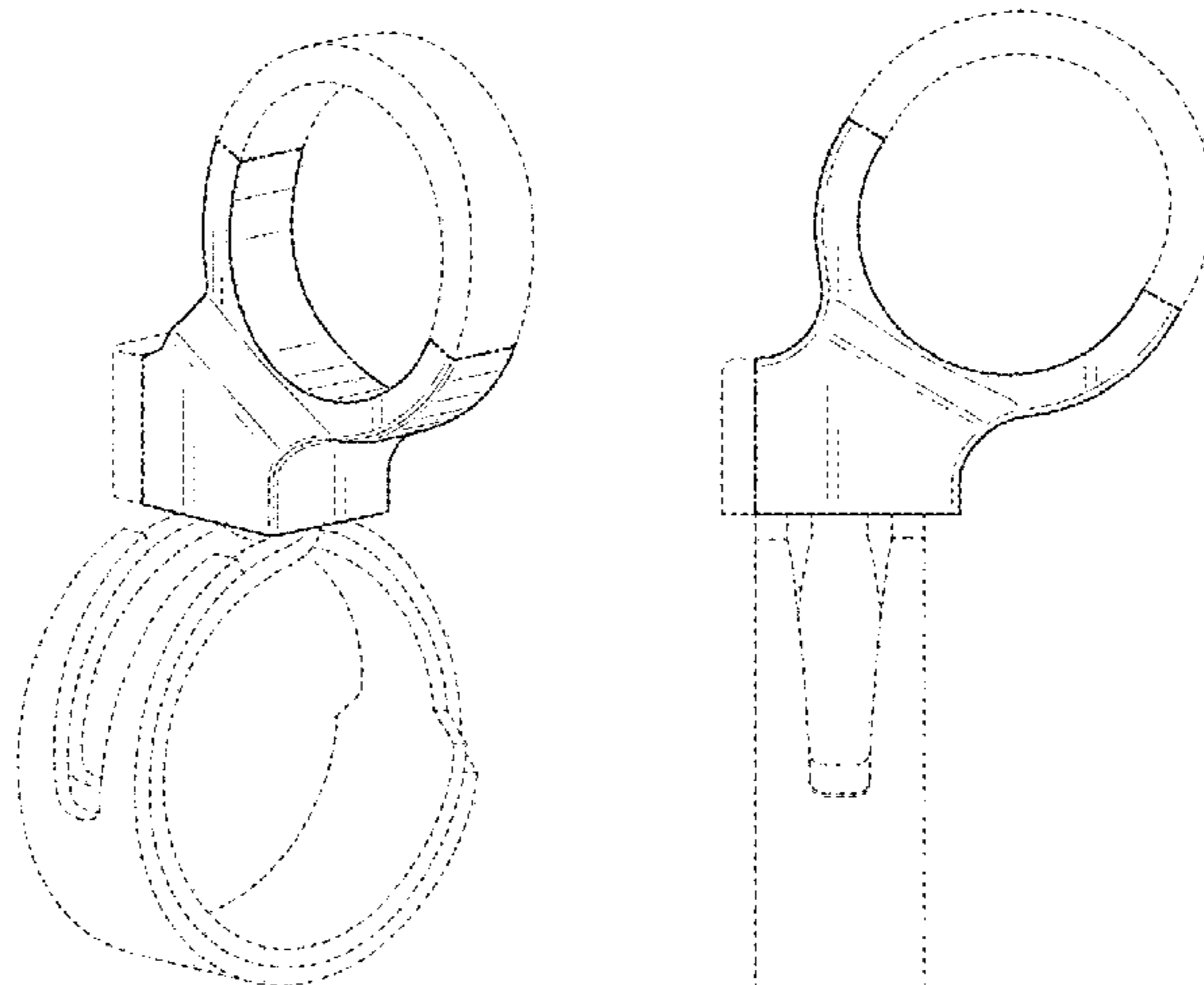
FIG. 6 is a top view thereof; and,

FIG. 7 is a bottom view thereof.

The broken lines shown are included for the purpose of illustrating the unclaimed portions of a hose clamp and form no part of the claimed design.

The dash-dot broken lines shown in the drawings define the bounds of the claimed design that form no part thereof.

1 Claim, 4 Drawing Sheets



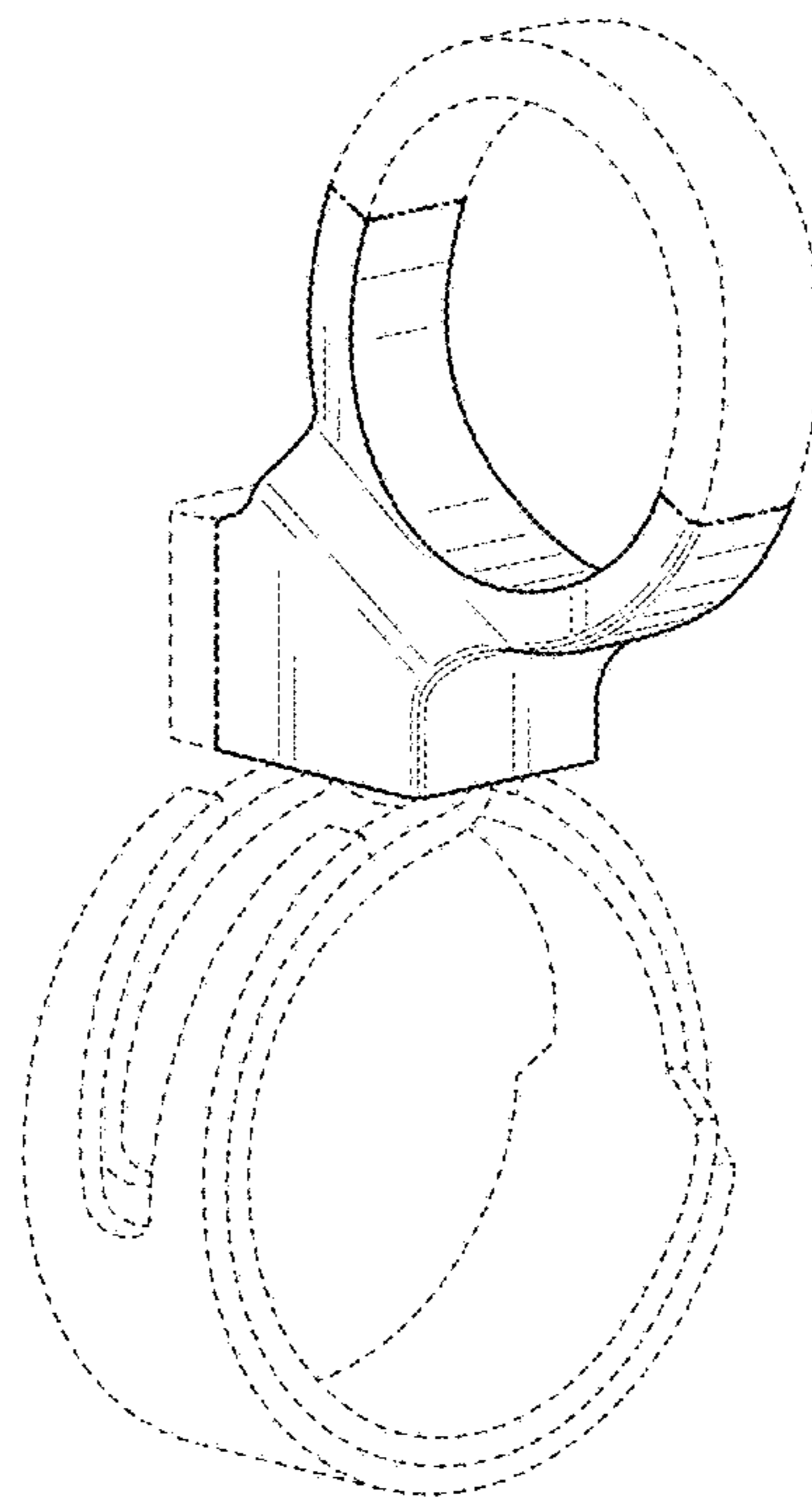


FIG. 1

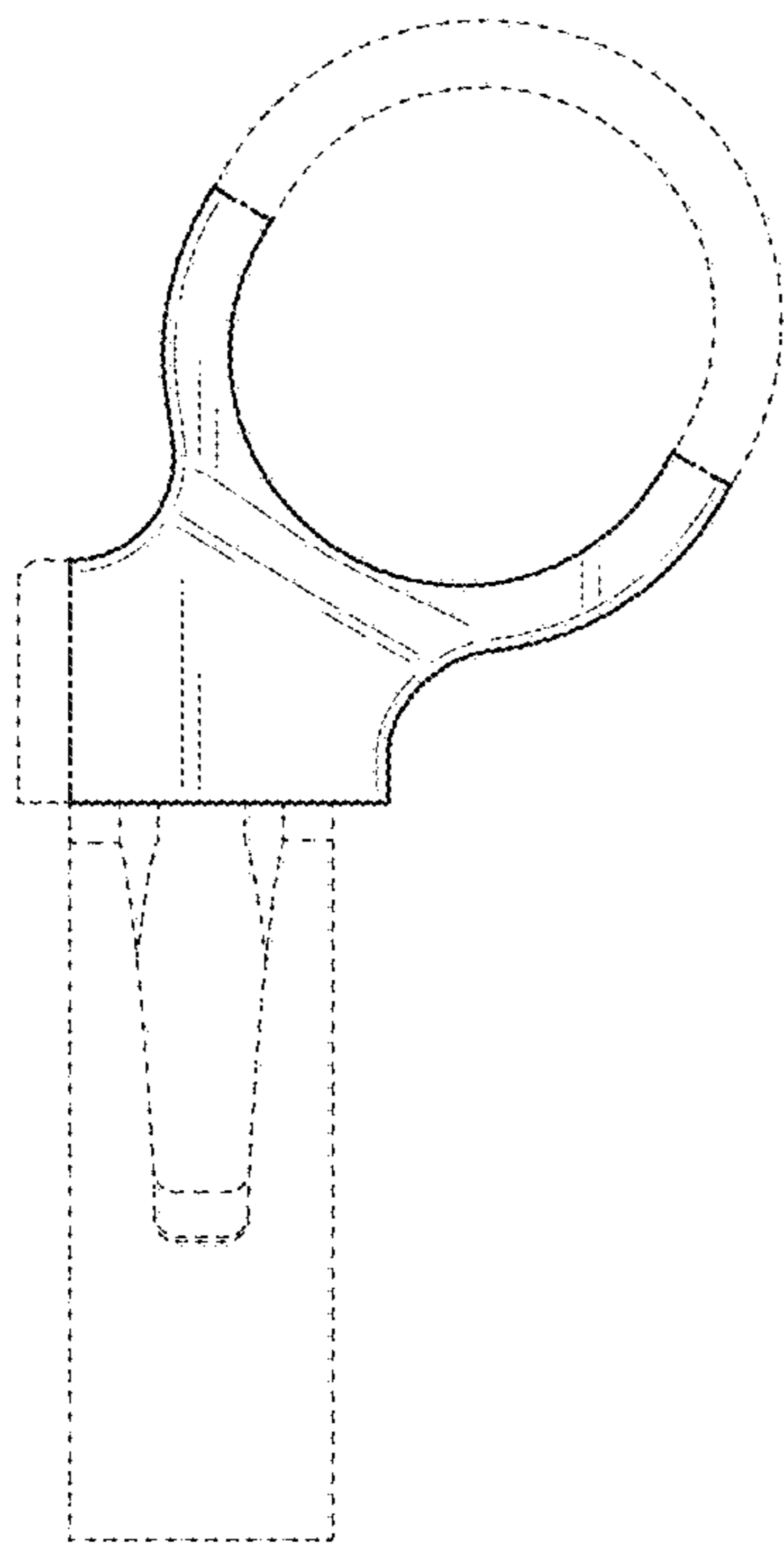


FIG. 2

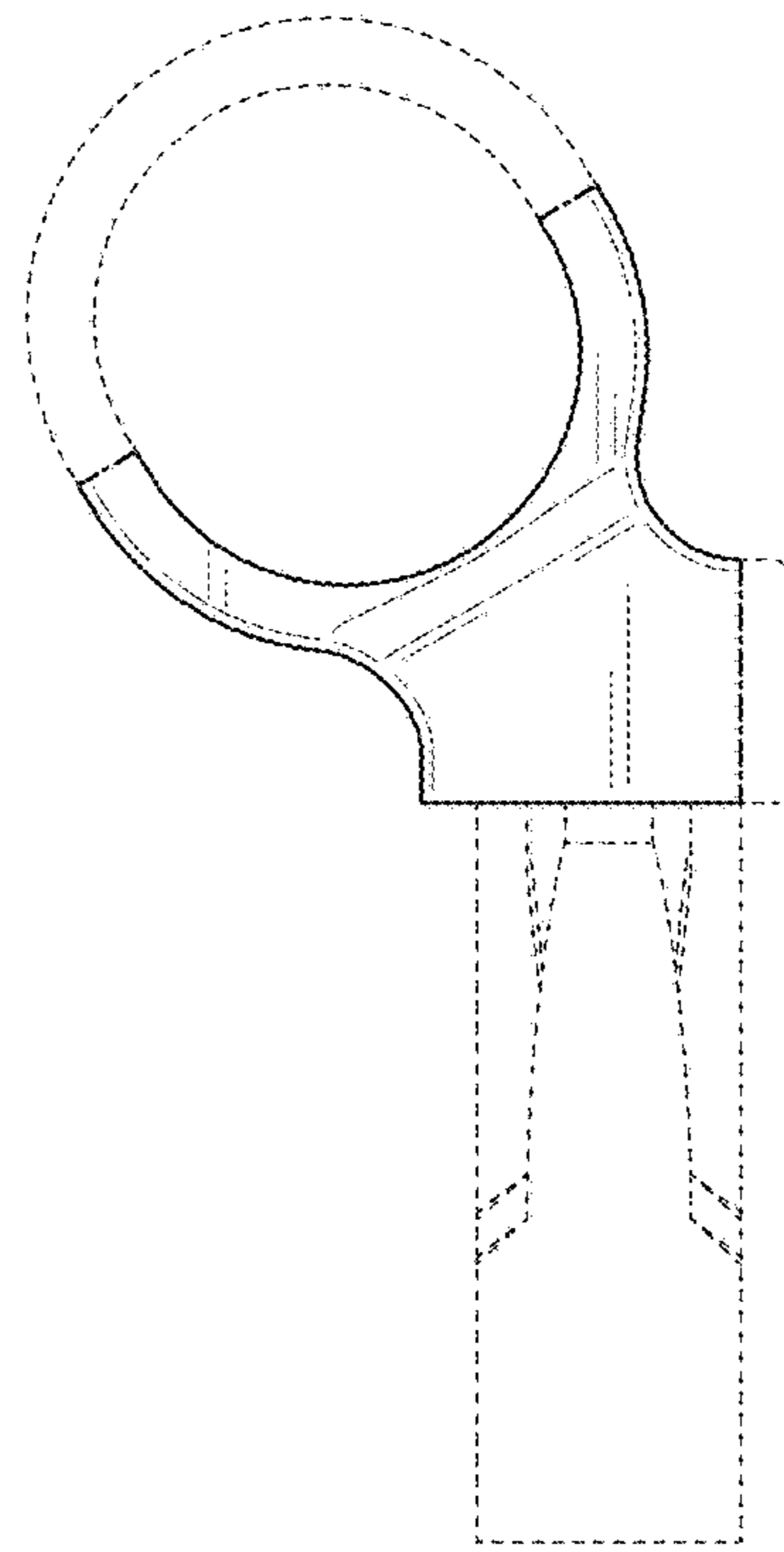


FIG. 3

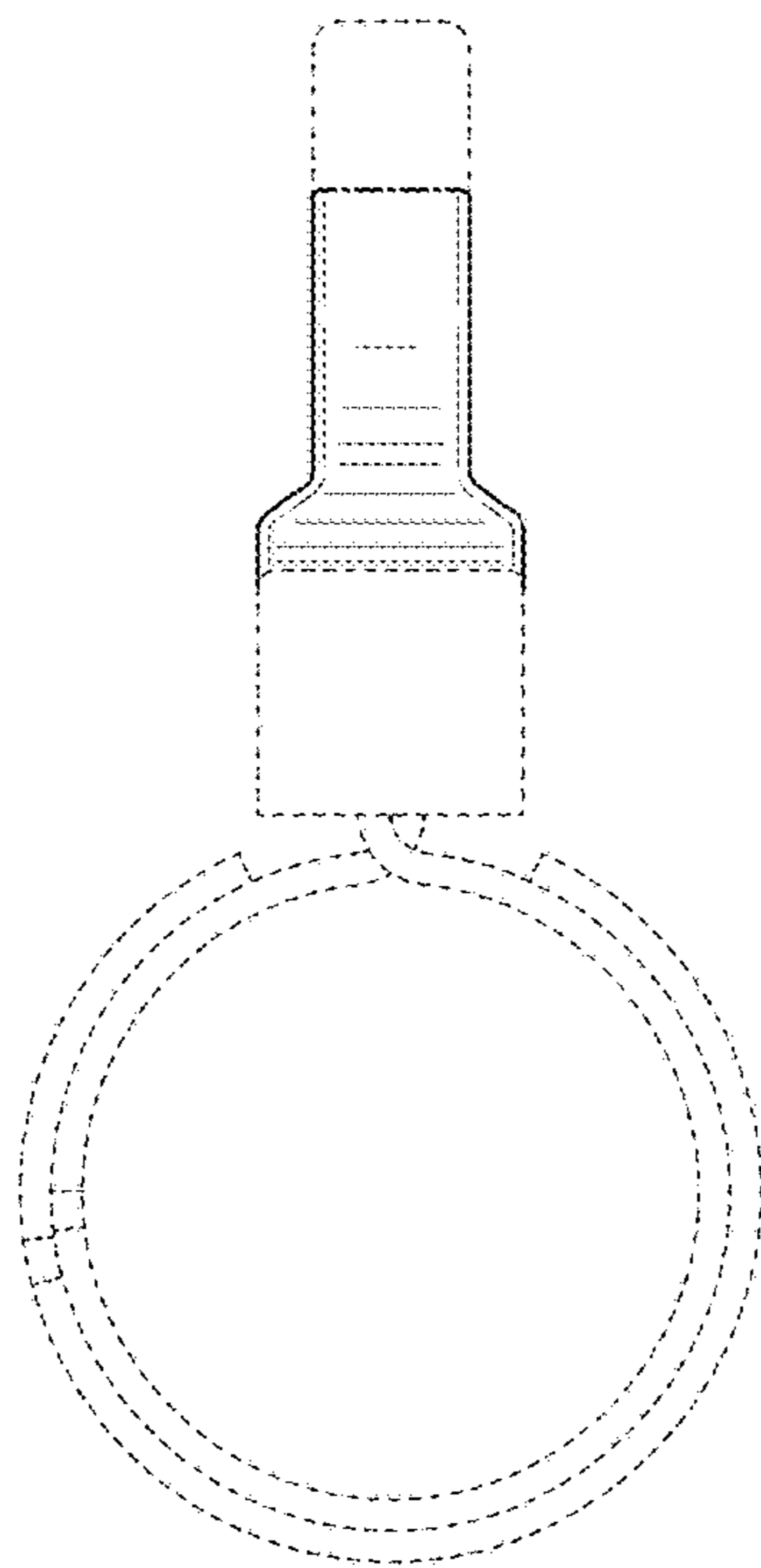


FIG. 4

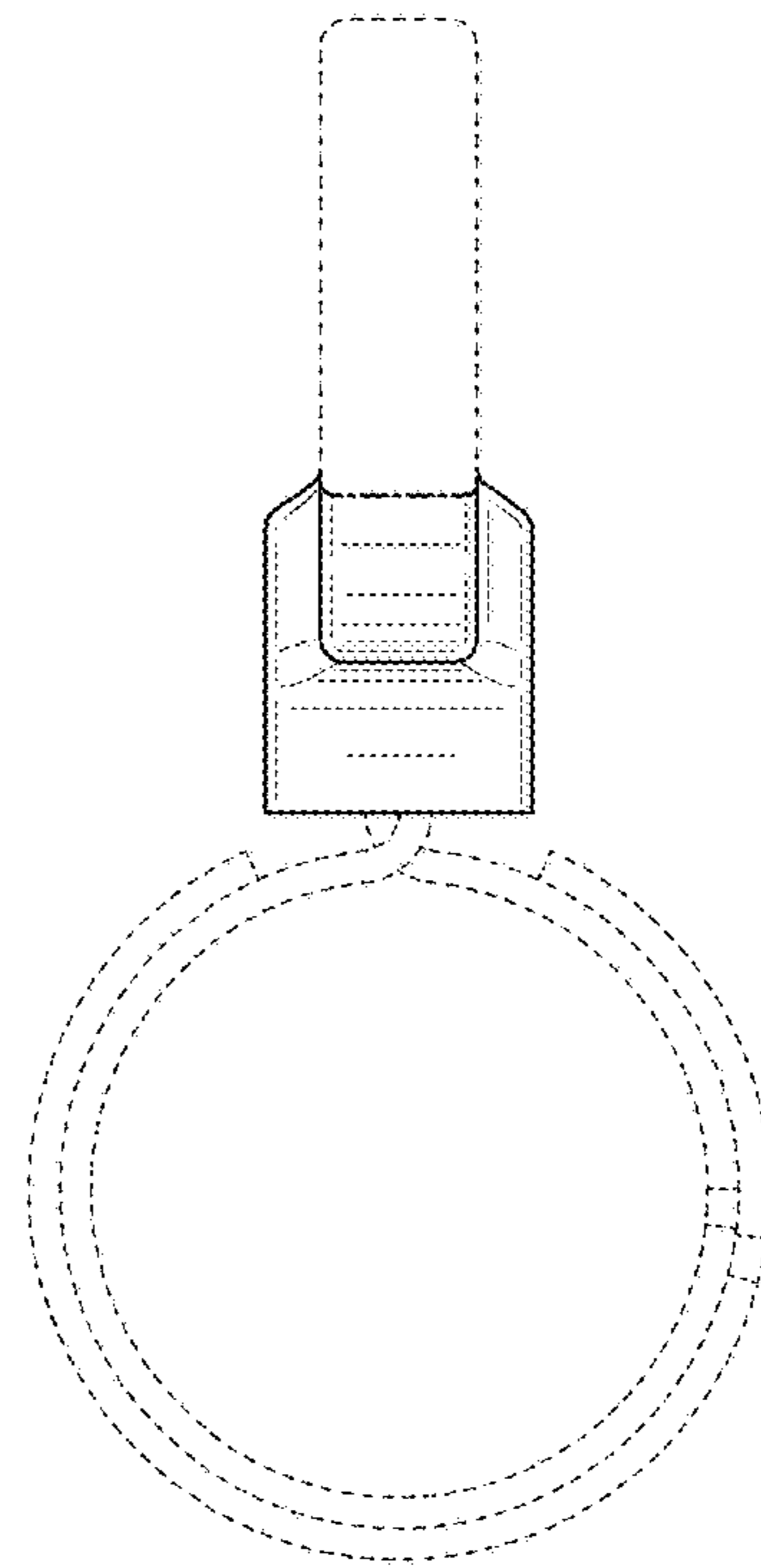


FIG. 5

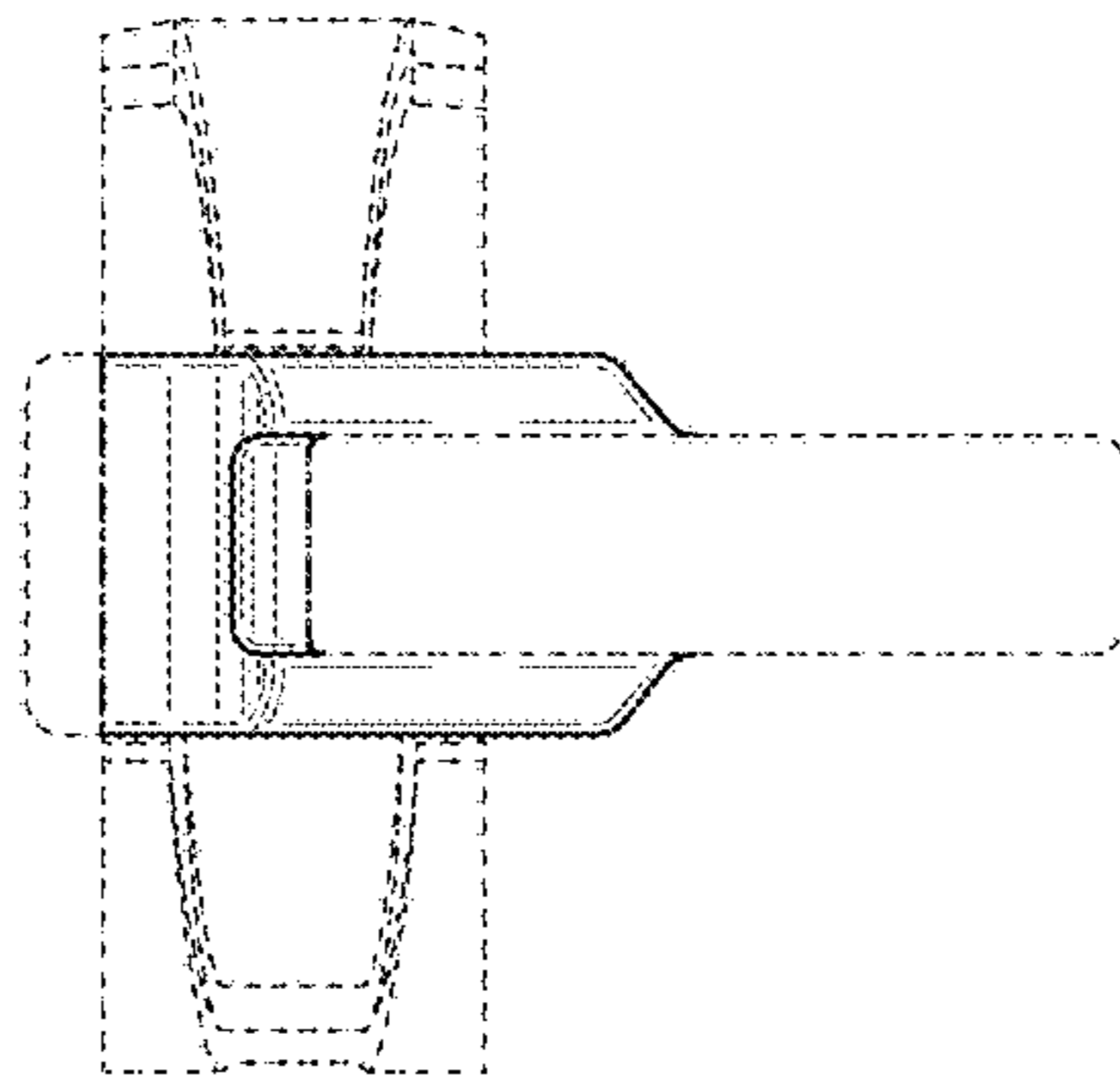


FIG. 6

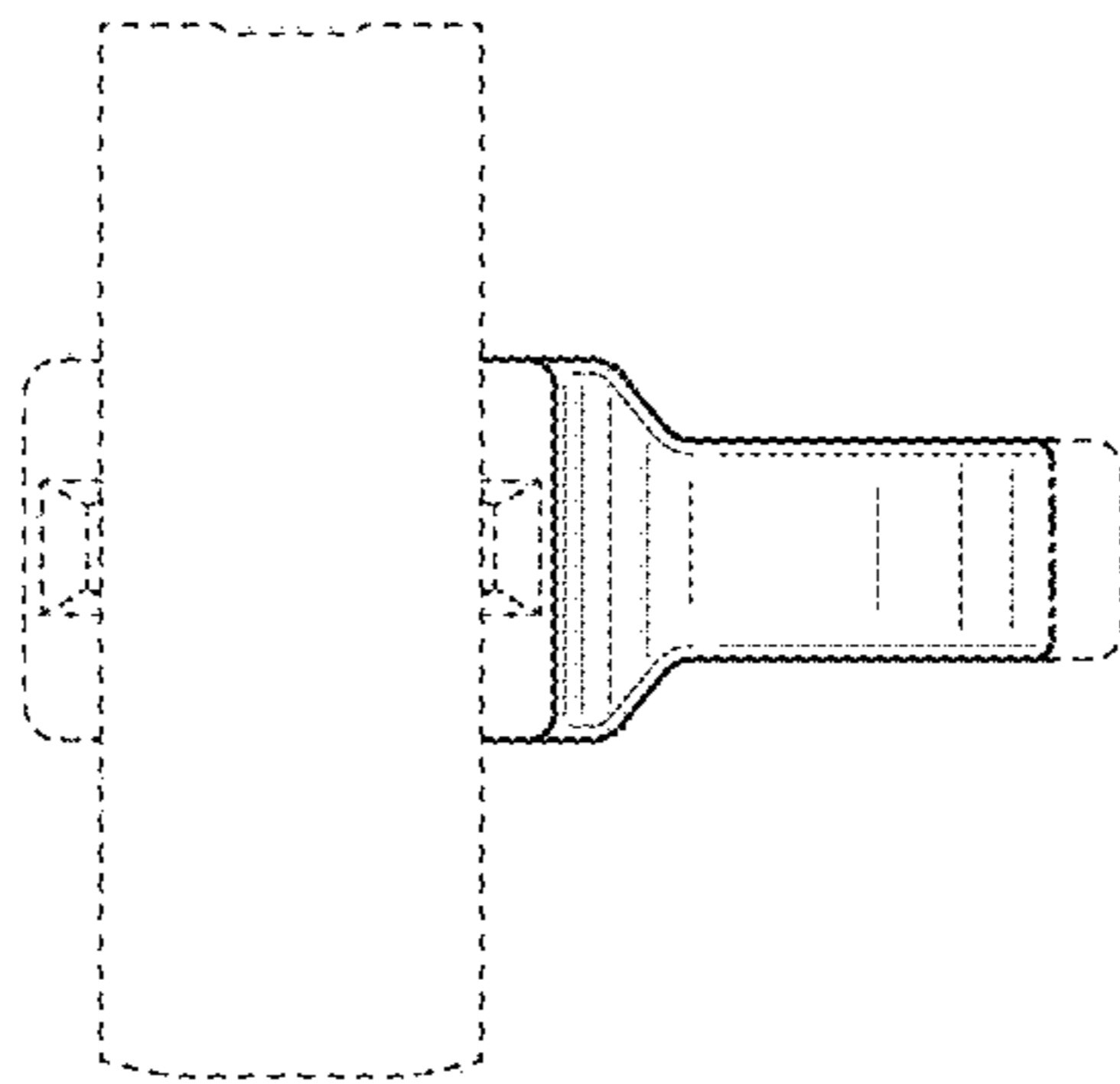


FIG. 7