



US00D848579S

(12) **United States Design Patent**
Garland

(10) **Patent No.:** **US D848,579 S**

(45) **Date of Patent:** **** May 14, 2019**

(54) **FAUCET SPOUT**

(71) Applicant: **DELTA FAUCET COMPANY,**
Indianapolis, IN (US)

(72) Inventor: **Celine Kwok Garland,** Zionsville, IN
(US)

(73) Assignee: **DELTA FAUCET COMPANY,**
Indianapolis, IN (US)

(**) Term: **15 Years**

(21) Appl. No.: **29/638,478**

(22) Filed: **Feb. 27, 2018**

(51) **LOC (11) Cl.** **23-01**

(52) **U.S. Cl.**
USPC **D23/255**

(58) **Field of Classification Search**
USPC D23/238-243, 249, 255, 257
CPC Y10T 137/9464
See application file for complete search history.

(56) **References Cited**

U.S. PATENT DOCUMENTS

D517,655 S * 3/2006 Ogata D23/241
D596,711 S * 7/2009 Sieger D23/238

D659,803 S * 5/2012 Flowers D23/255
D664,241 S * 7/2012 Tang D23/238
D673,651 S * 1/2013 Uhl D23/238
D677,757 S * 3/2013 Lord D23/238
D684,668 S * 6/2013 Yu D23/242
D721,165 S * 1/2015 Downey D23/255
D737,941 S * 9/2015 Eads D23/255
D790,670 S * 6/2017 Downey D23/255

* cited by examiner

Primary Examiner — Robert A Delehanty

(74) *Attorney, Agent, or Firm* — Edgar A. Zarins; Nirav D. Parikh

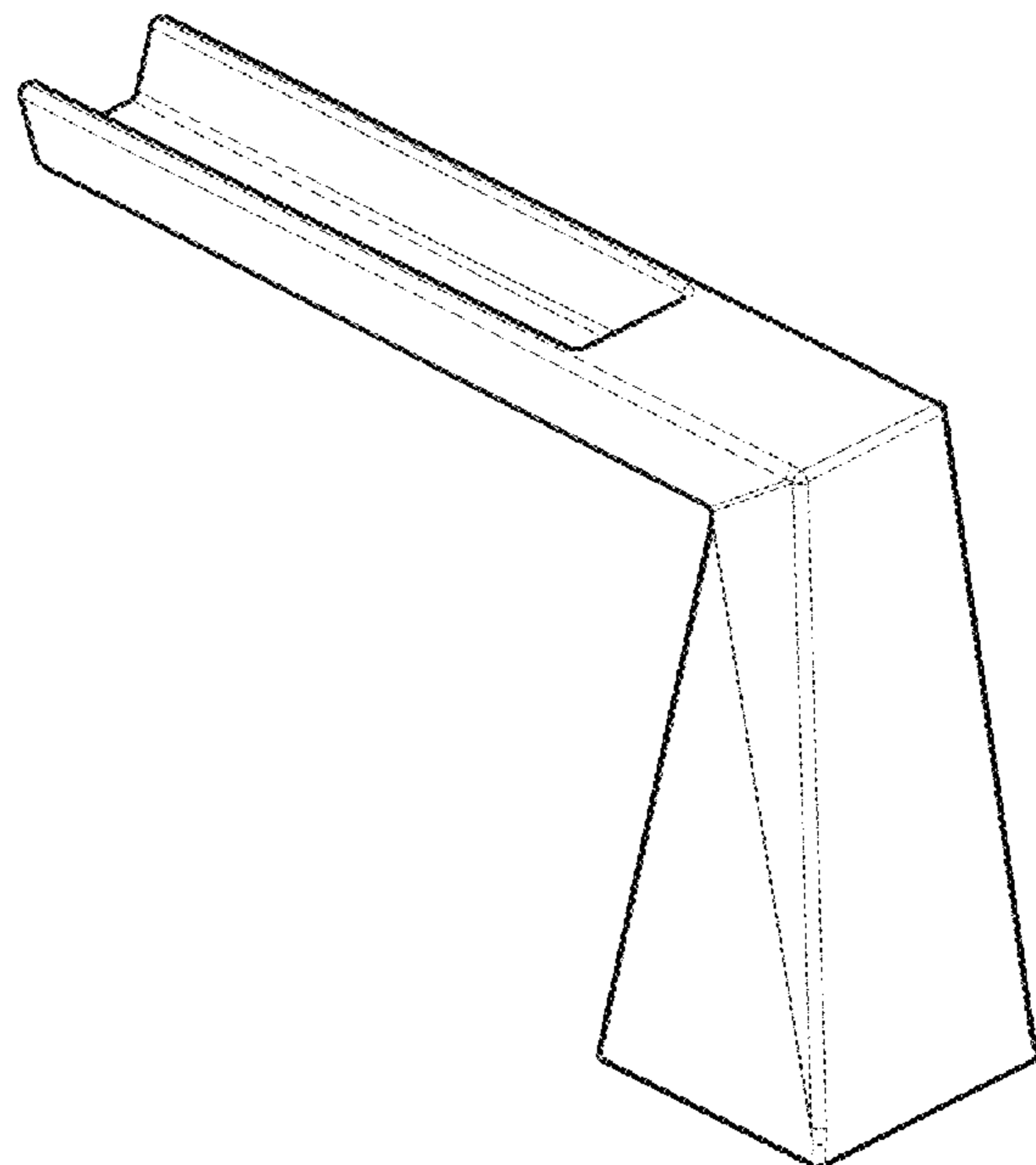
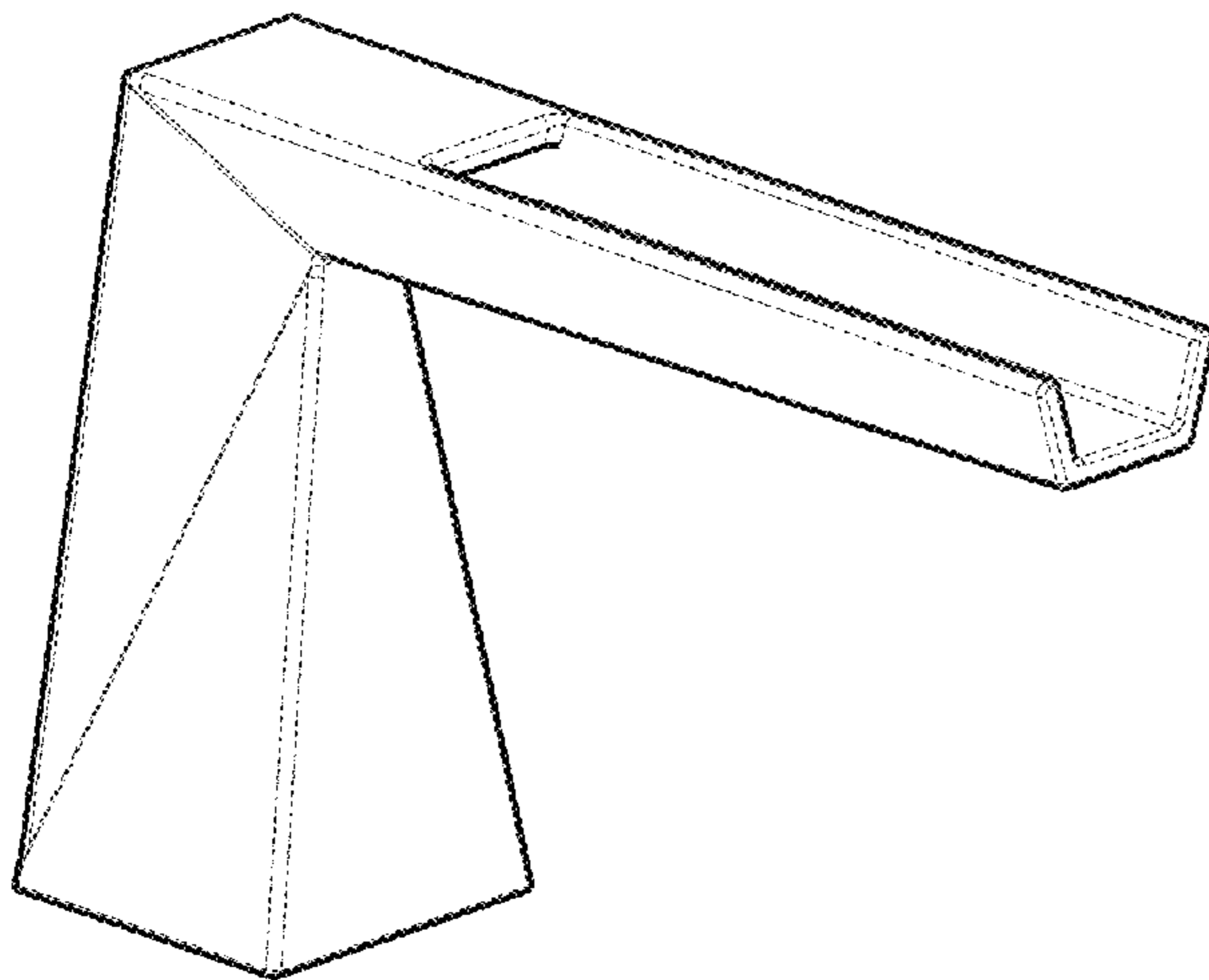
(57) **CLAIM**

The ornamental design for a faucet spout, as shown and described.

DESCRIPTION

FIG. 1 is a first perspective view of a faucet spout showing my new design;
FIG. 2 is a second perspective view thereof;
FIG. 3 is a front elevational view thereof;
FIG. 4 is a left side view thereof;
FIG. 5 is a rear view thereof;
FIG. 6 is a right side view thereof;
FIG. 7 is a top plan view thereof; and,
FIG. 8 is a bottom view thereof.

1 Claim, 4 Drawing Sheets



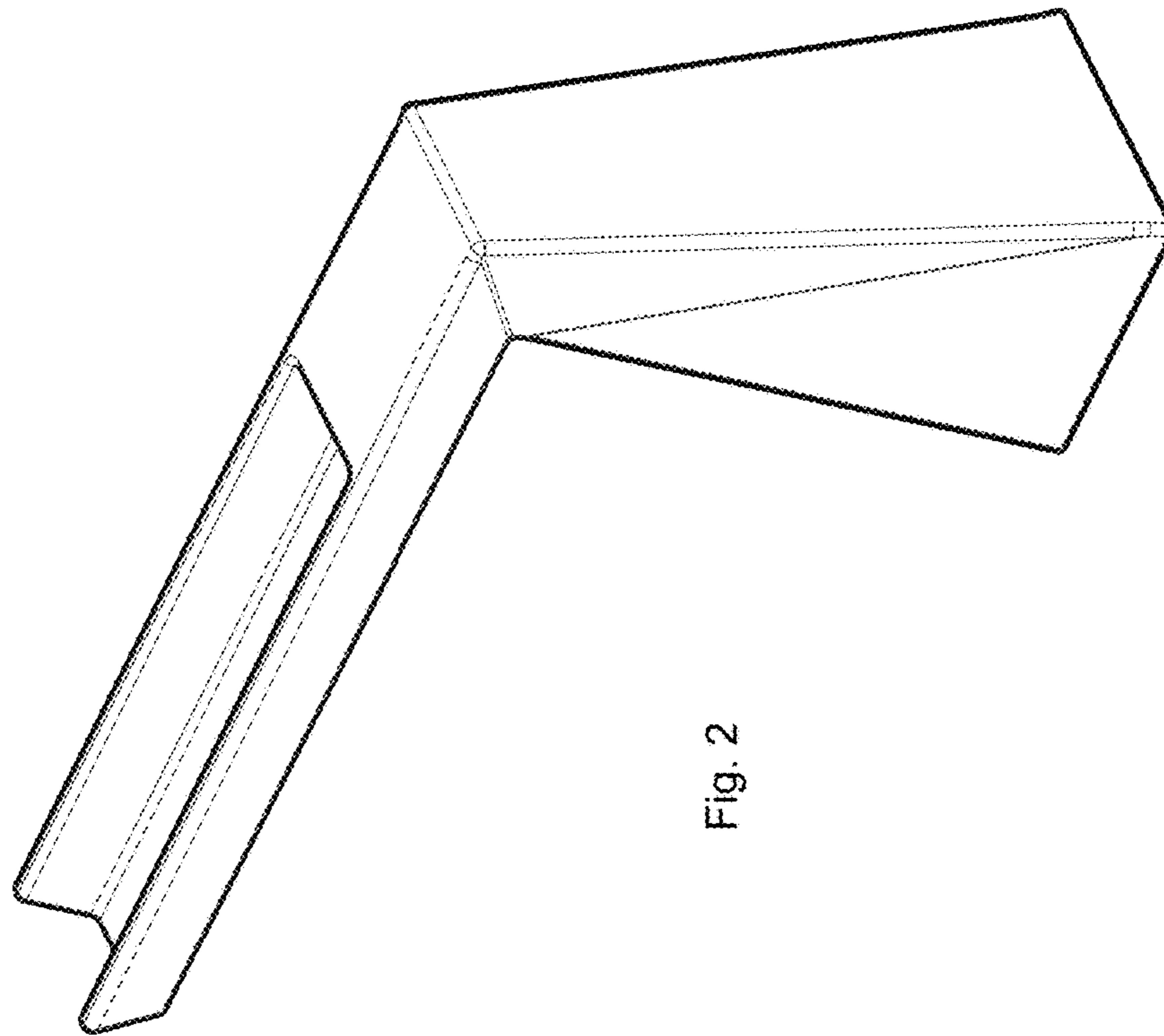


Fig. 2

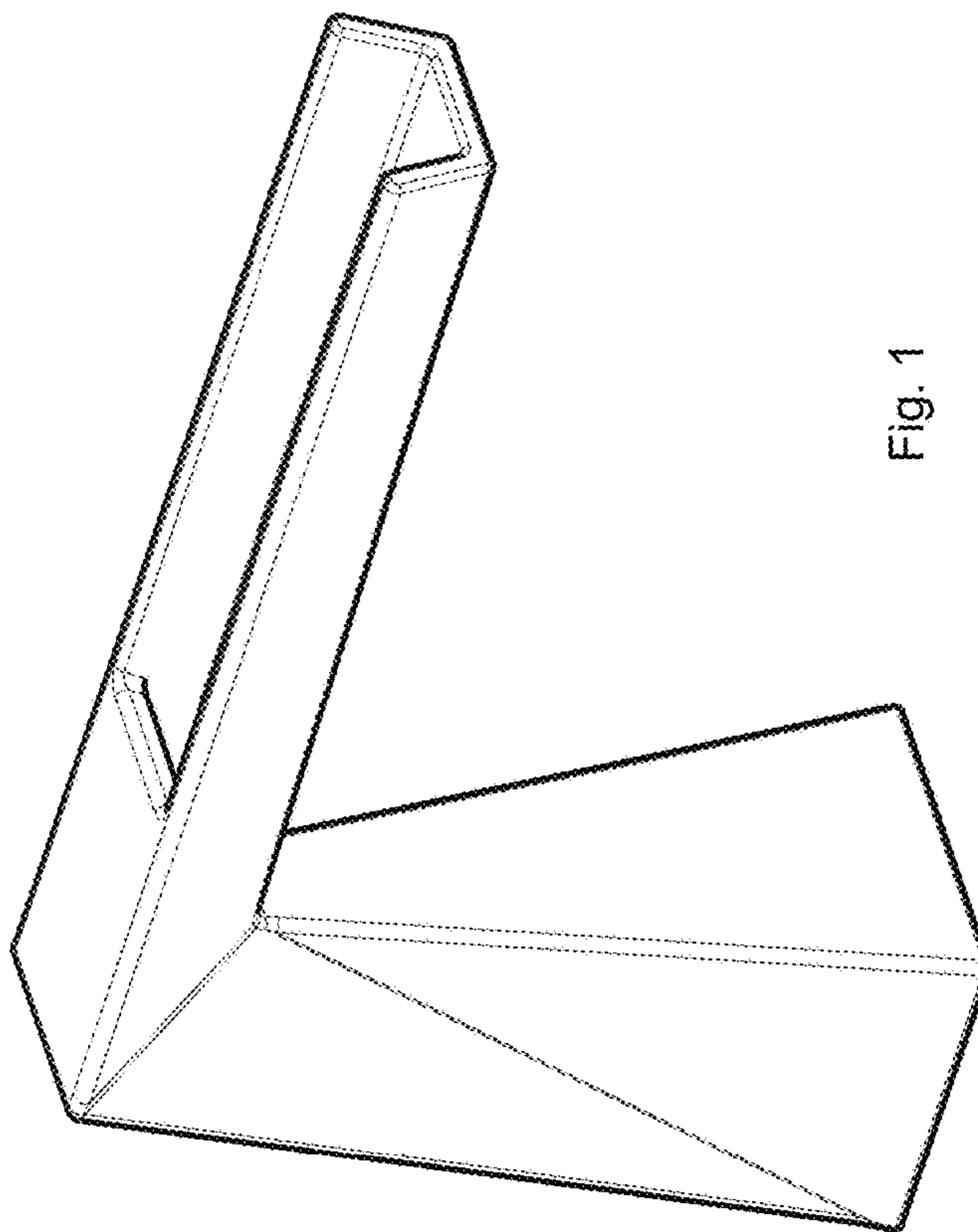


Fig. 1

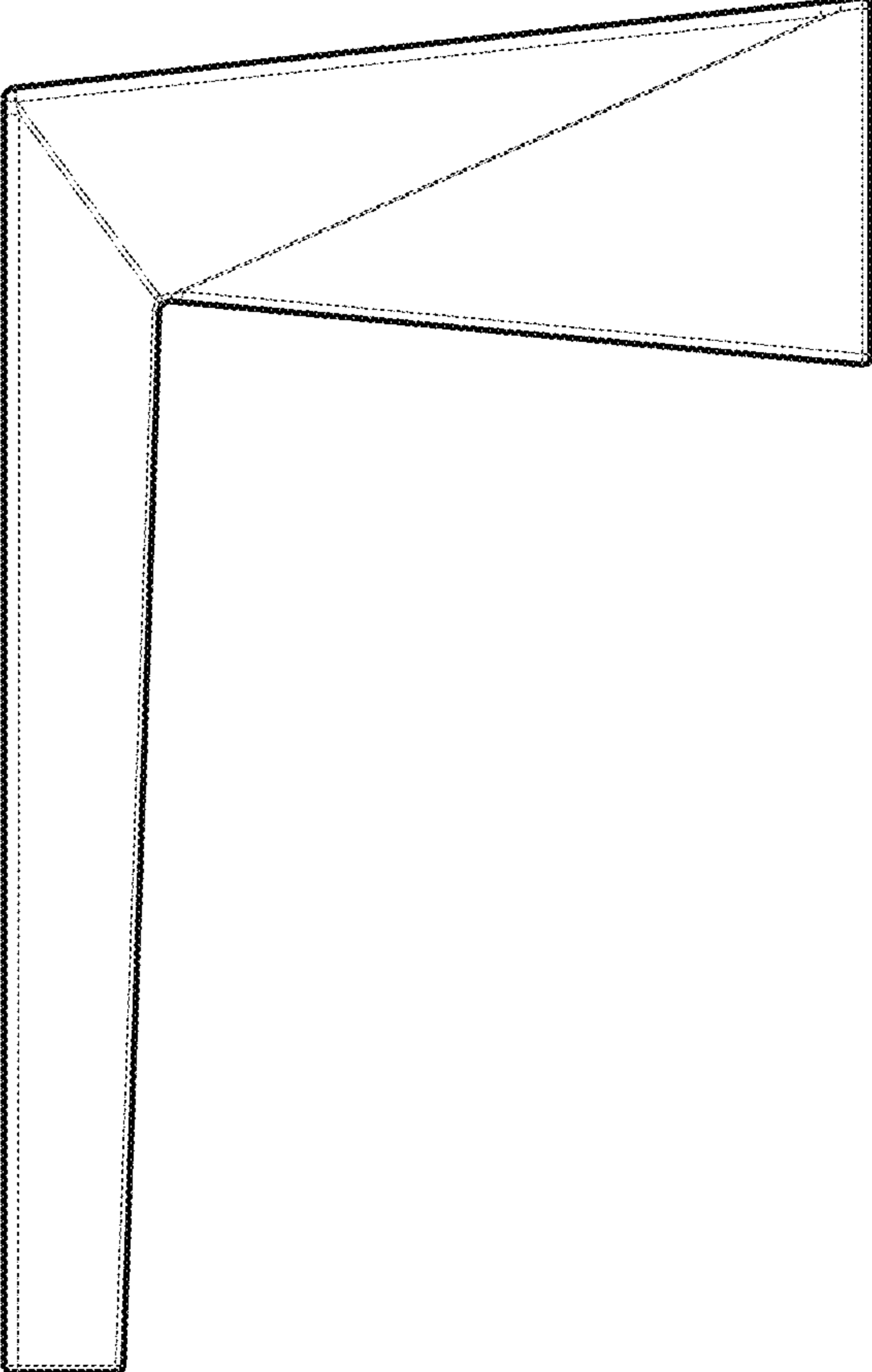


Fig. 4

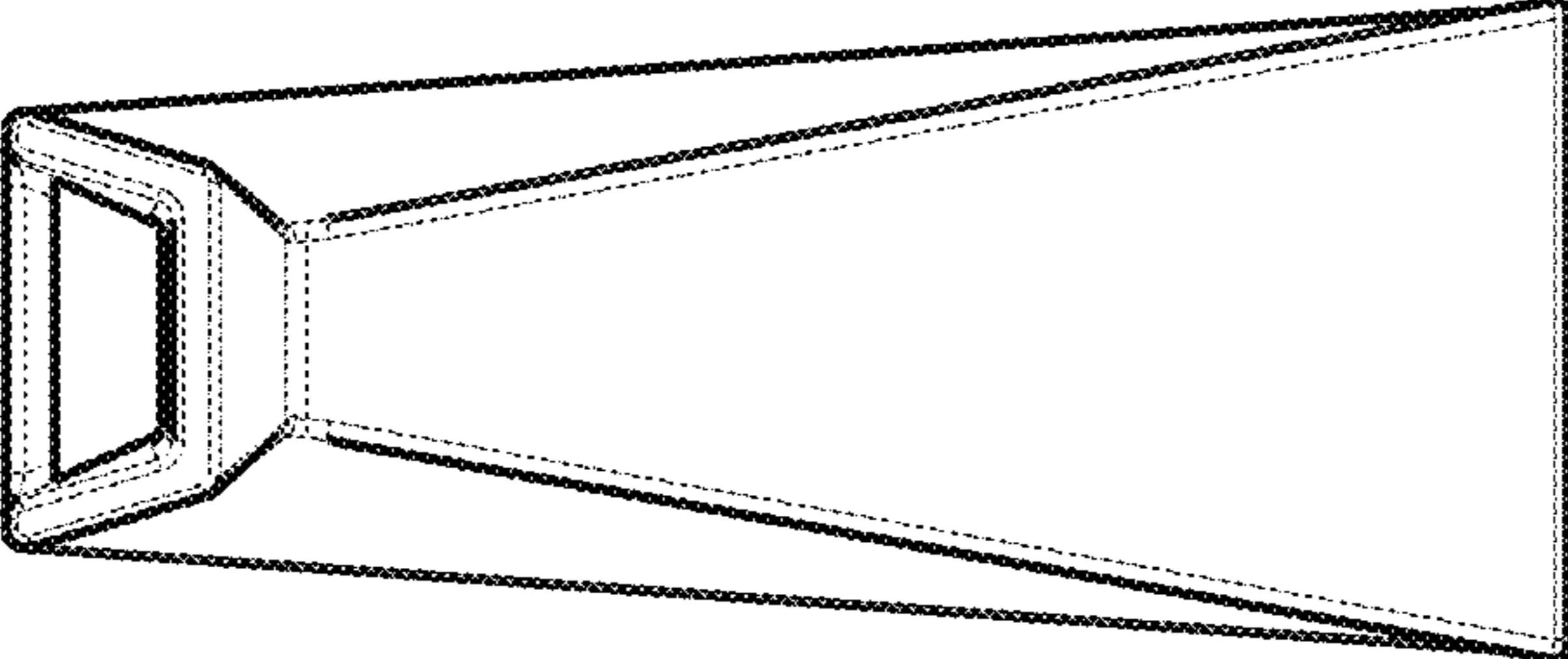


Fig. 3

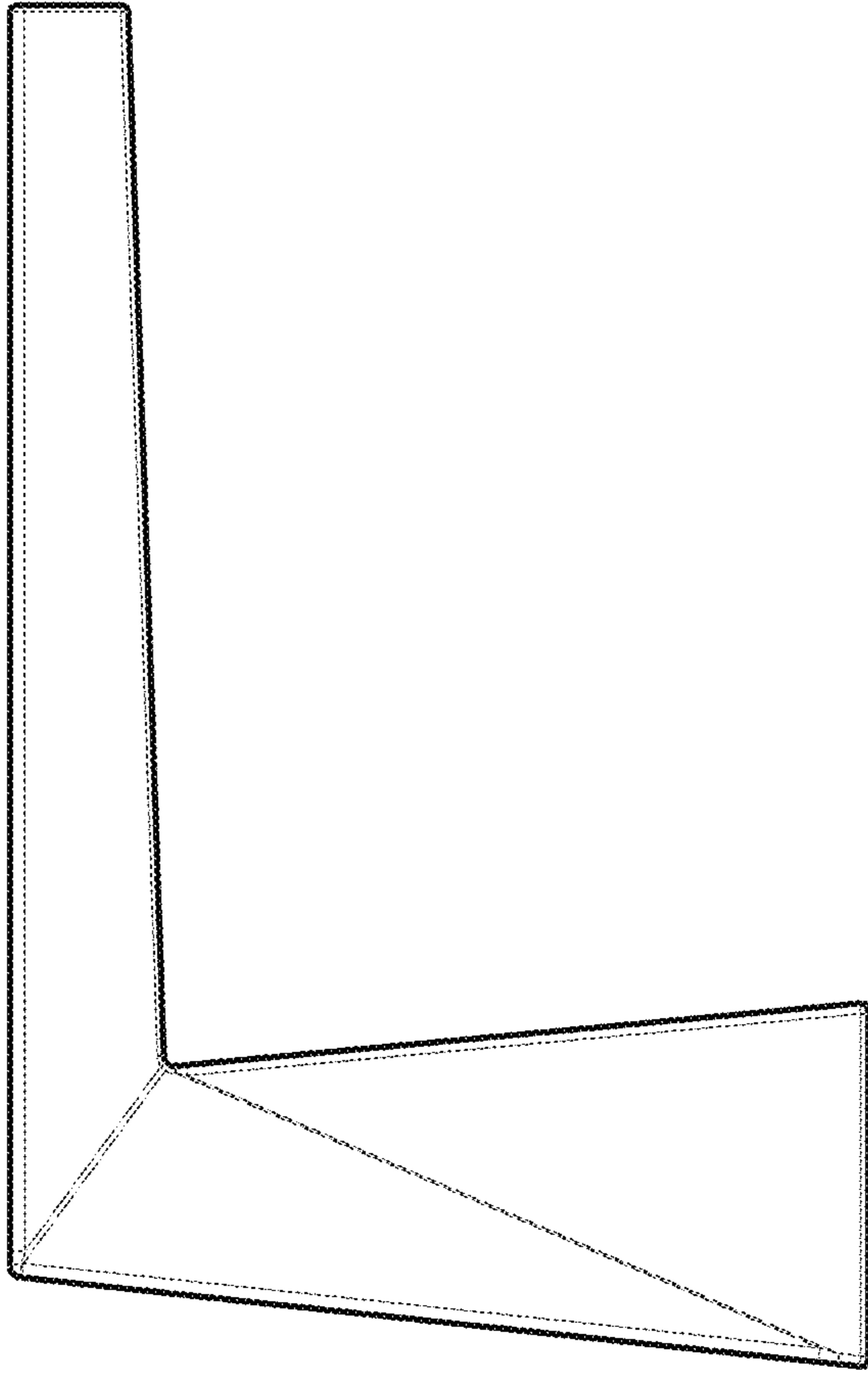


Fig. 6

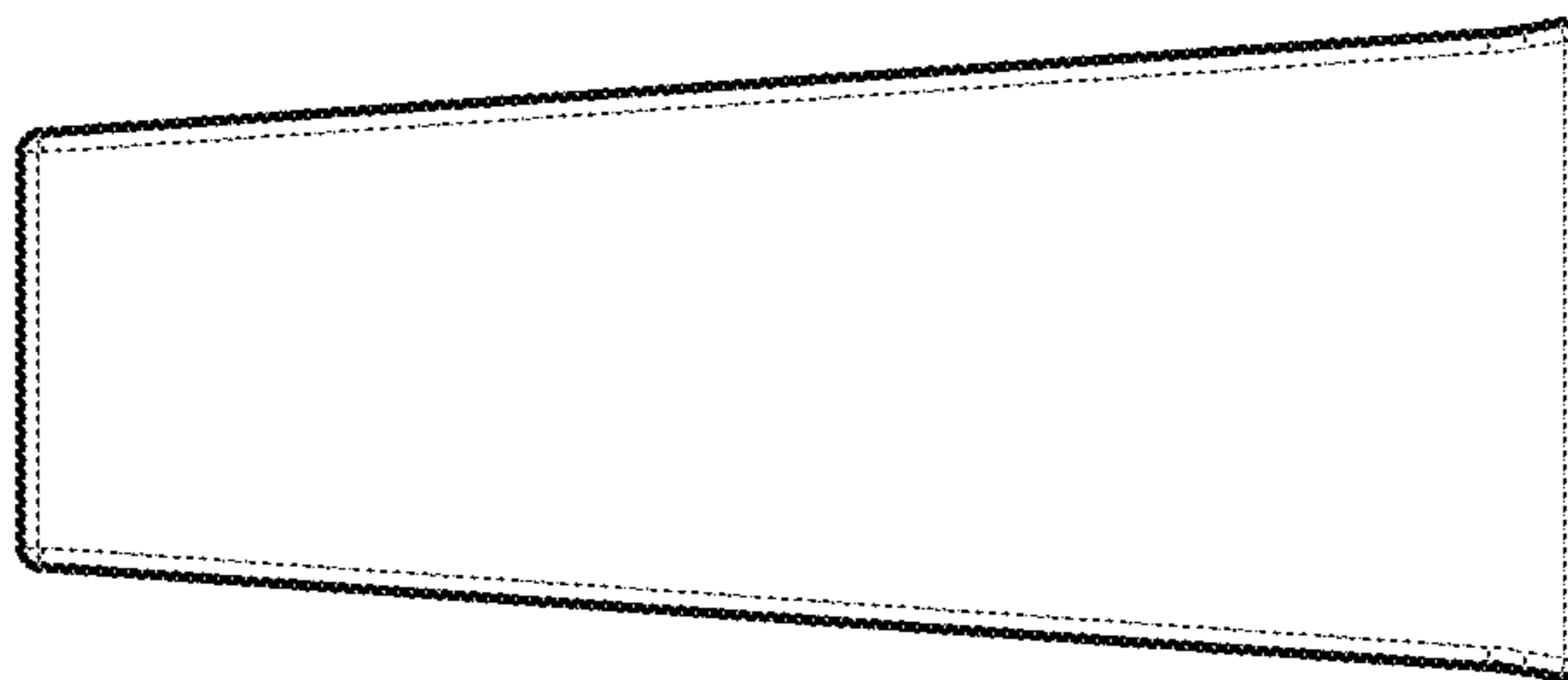


Fig. 5

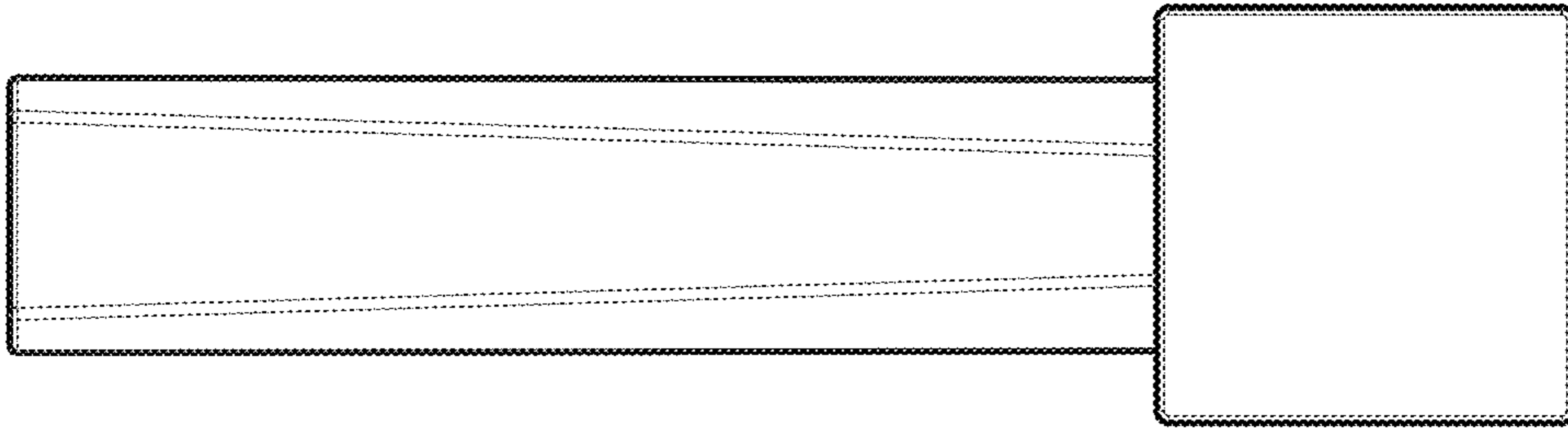


Fig. 8

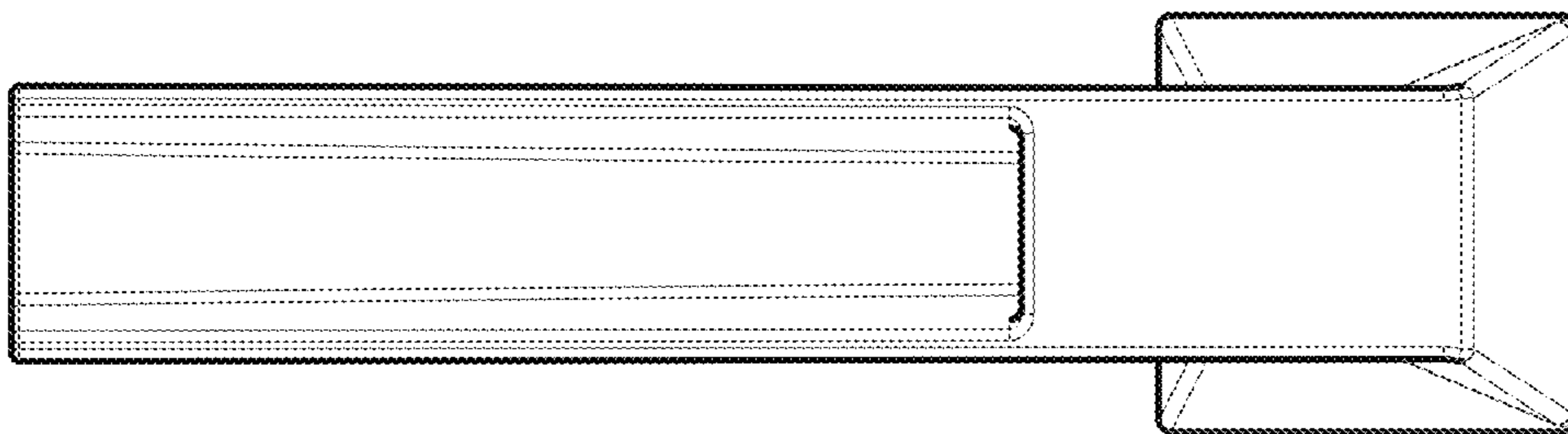


Fig. 7