



US00D848577S

(12) **United States Design Patent**
Garland

(10) **Patent No.:** **US D848,577 S**

(45) **Date of Patent:** **** May 14, 2019**

(54) **FAUCET SPOUT**

D664,629 S * 7/2012 Tang D23/238
D769,418 S * 10/2016 Eads D23/238

(71) Applicant: **DELTA FAUCET COMPANY,**
Indianapolis, IN (US)

* cited by examiner

(72) Inventor: **Celine Kwok Garland,** Zionsville, IN
(US)

Primary Examiner — Robert A Delehanty

(74) *Attorney, Agent, or Firm* — Edgar A. Zarins; Nirav
D. Parikh

(73) Assignee: **DELTA FAUCET COMPANY,**
Indianapolis, IN (US)

(**) Term: **15 Years**

(57) **CLAIM**

(21) Appl. No.: **29/638,474**

The ornamental design for a faucet spout, as shown and
described.

(22) Filed: **Feb. 27, 2018**

(51) **LOC (11) Cl.** **23-01**

(52) **U.S. Cl.**

USPC **D23/255**

(58) **Field of Classification Search**

USPC D23/238–243, 249, 255, 257

CPC Y10T 137/9464

See application file for complete search history.

DESCRIPTION

FIG. 1 is a first perspective view of a faucet spout showing
my new design;

FIG. 2 is a second perspective view thereof;

FIG. 3 is a front elevational view thereof;

FIG. 4 is a left side view thereof;

FIG. 5 is a rear view thereof;

FIG. 6 is a right side view thereof;

FIG. 7 is a top plan view thereof; and,

FIG. 8 is a bottom view thereof.

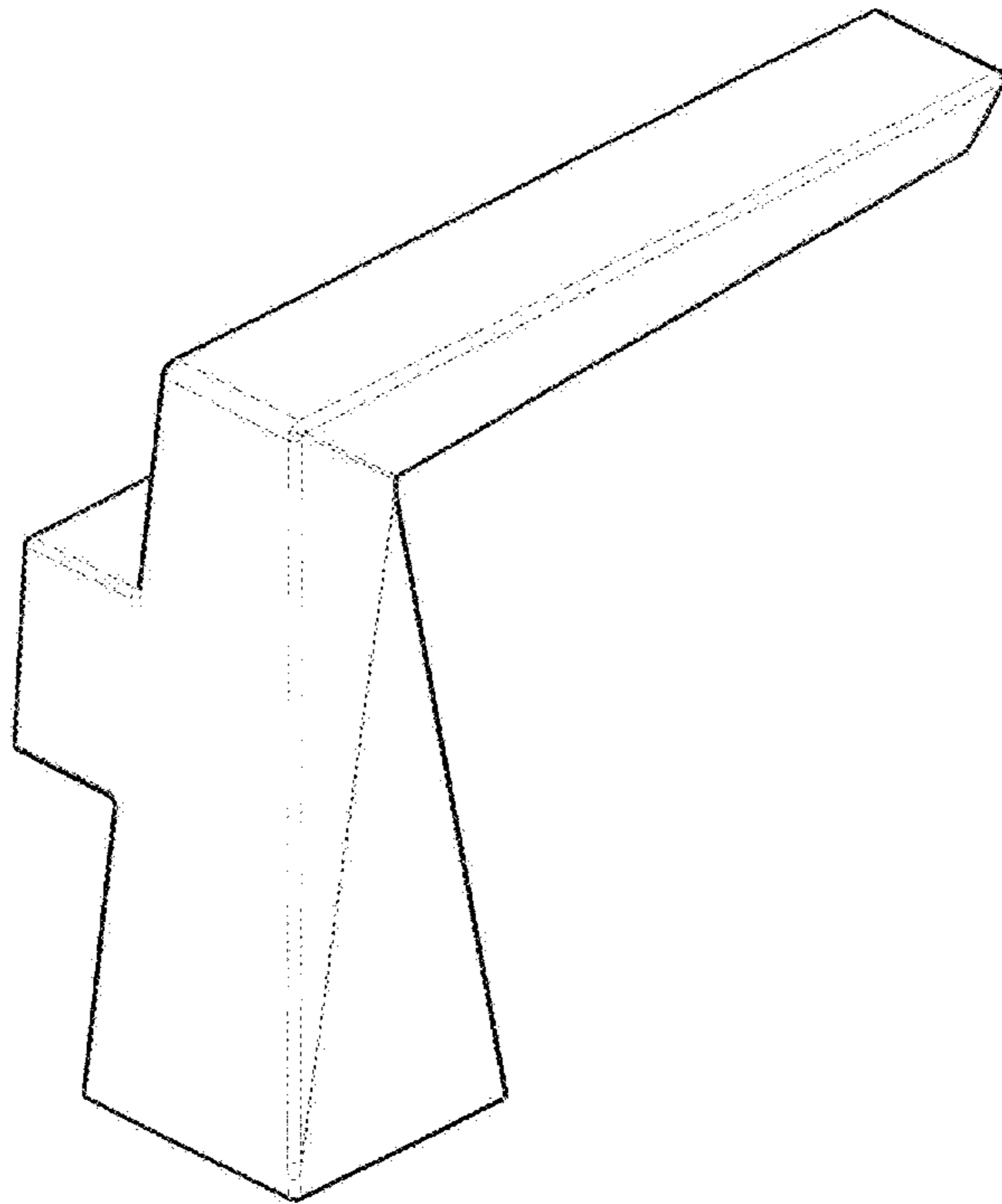
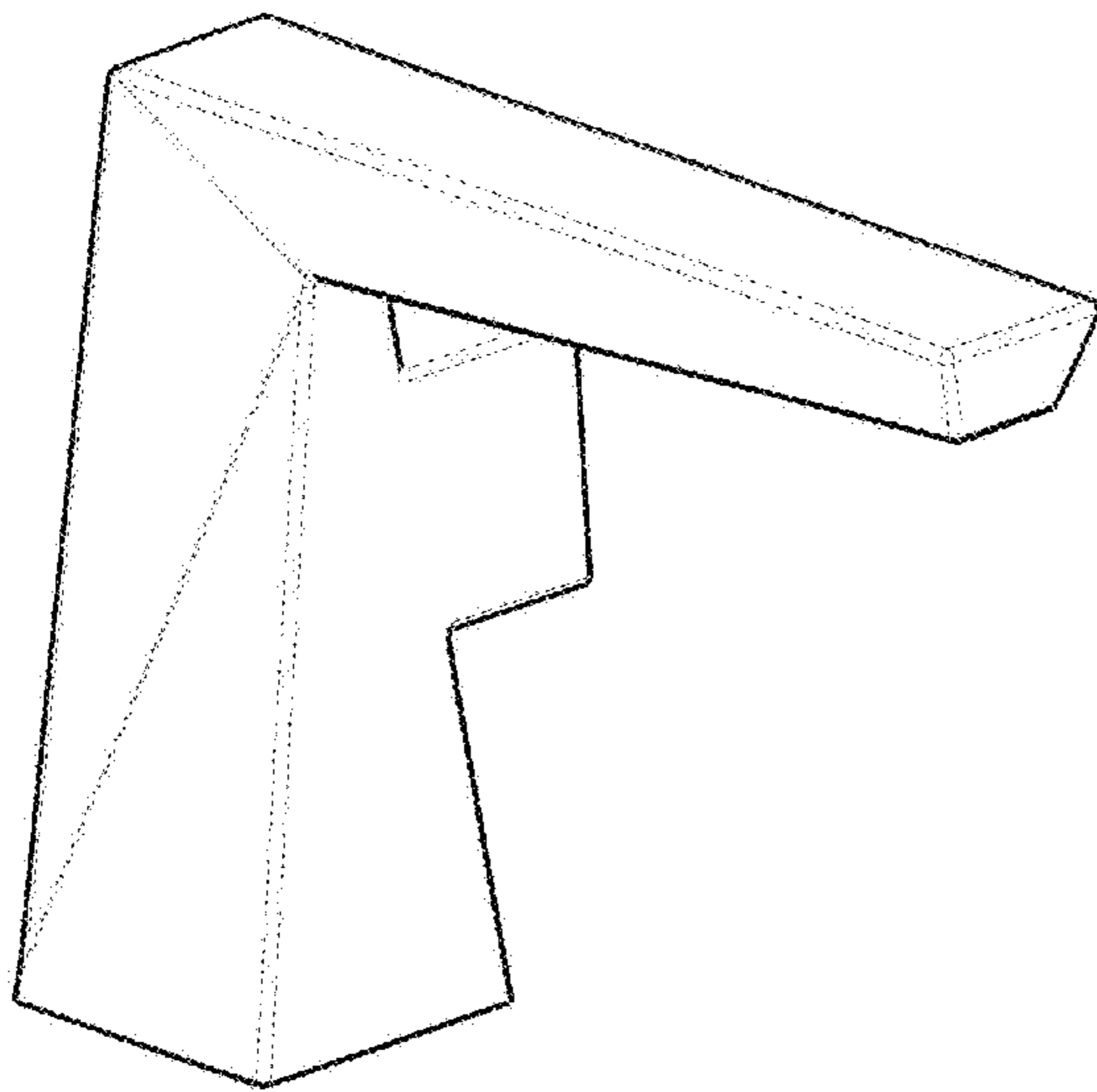
(56) **References Cited**

U.S. PATENT DOCUMENTS

D596,711 S * 7/2009 Sieger D23/238

D659,798 S * 5/2012 Flowers D23/238

1 Claim, 4 Drawing Sheets



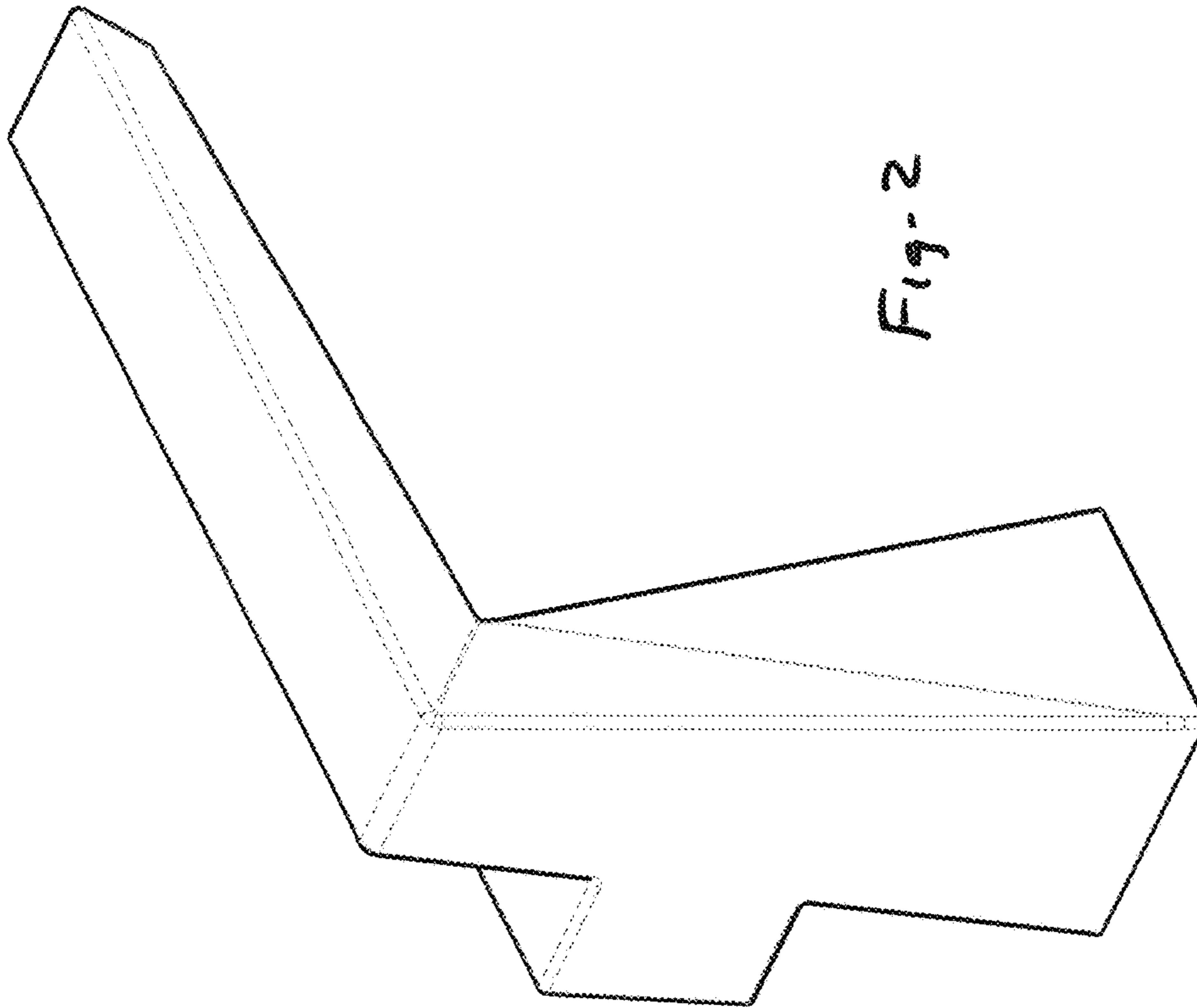


Fig-2

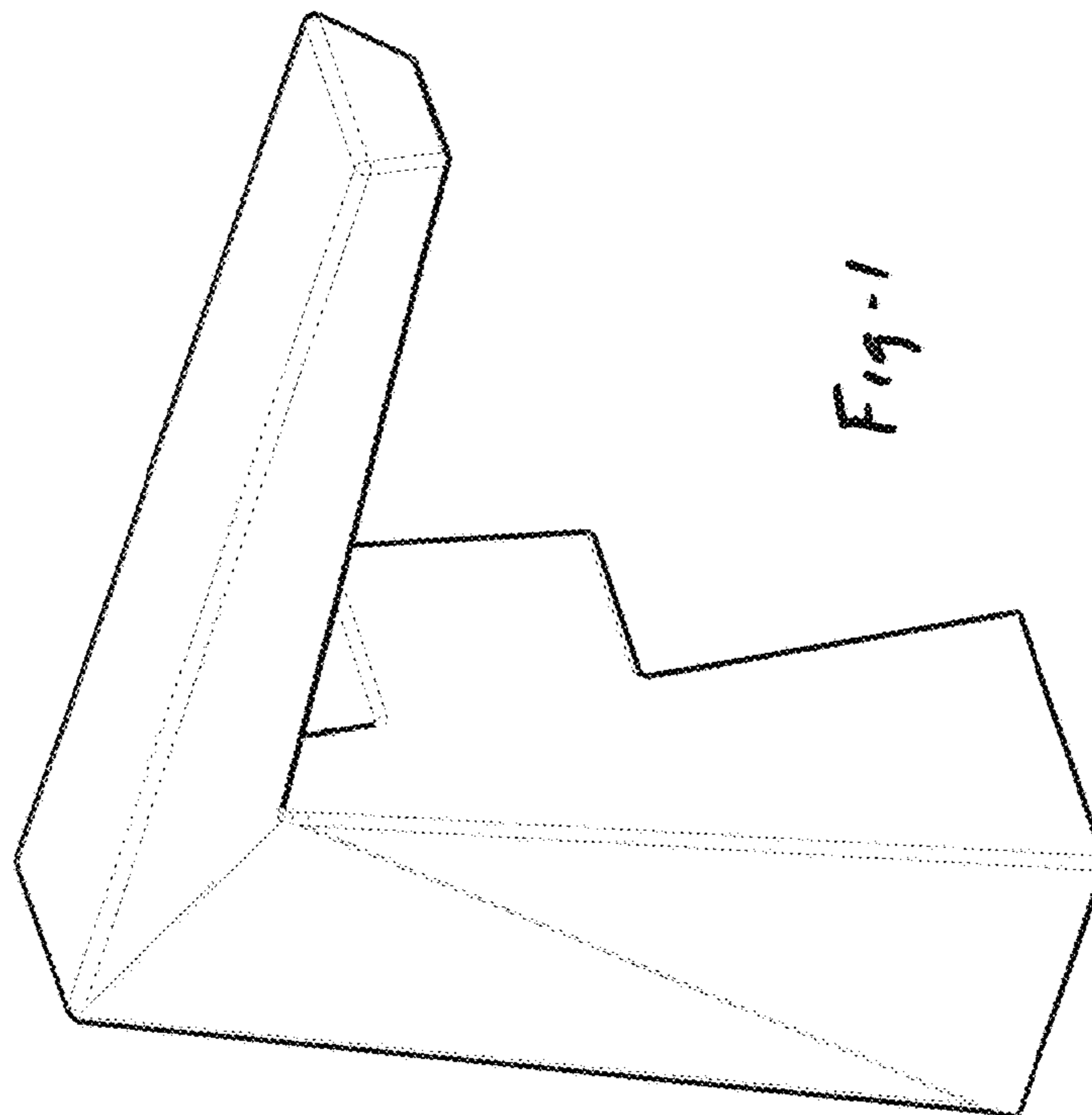


Fig-1

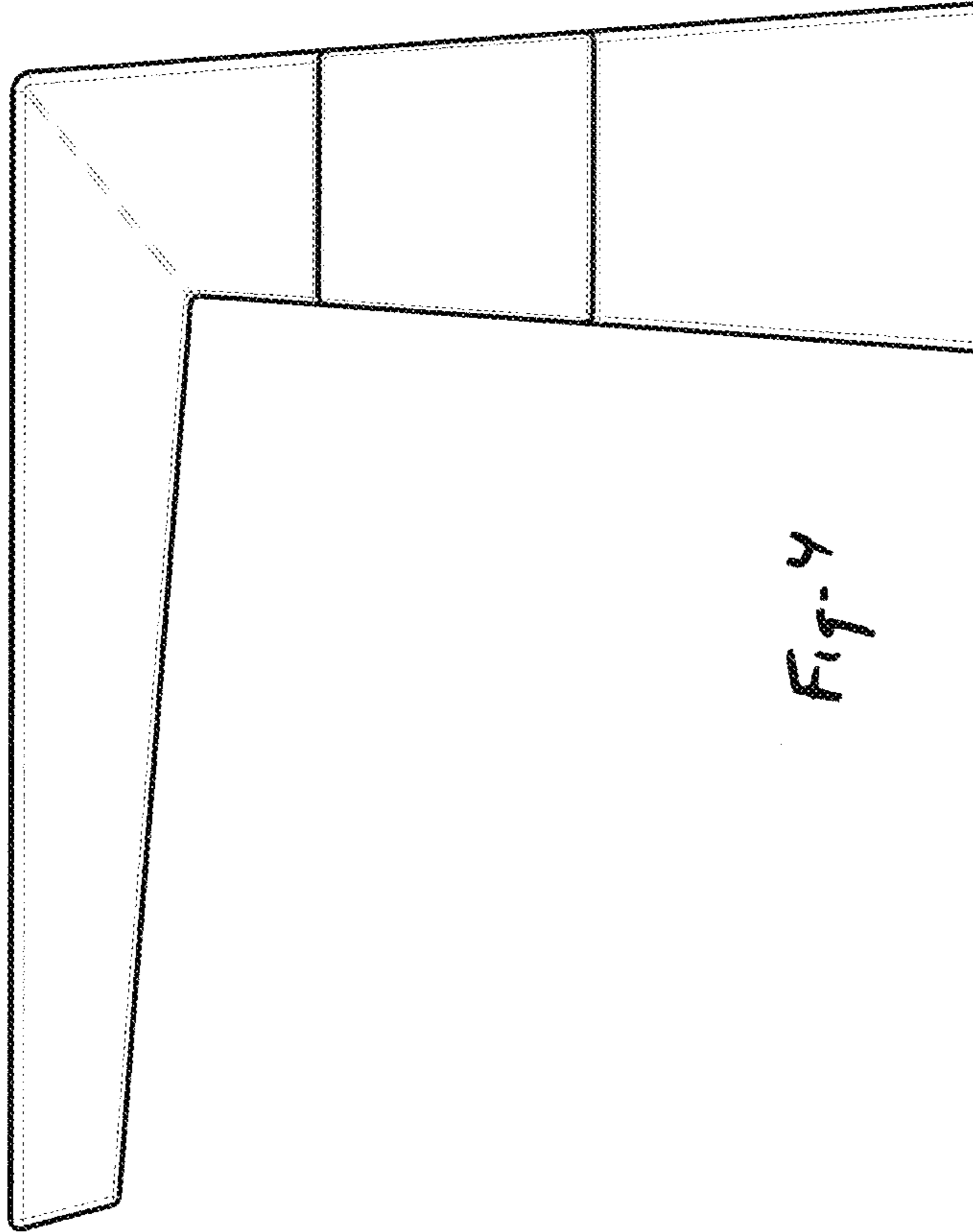


Fig. 4

LEFT SIDE VIEW

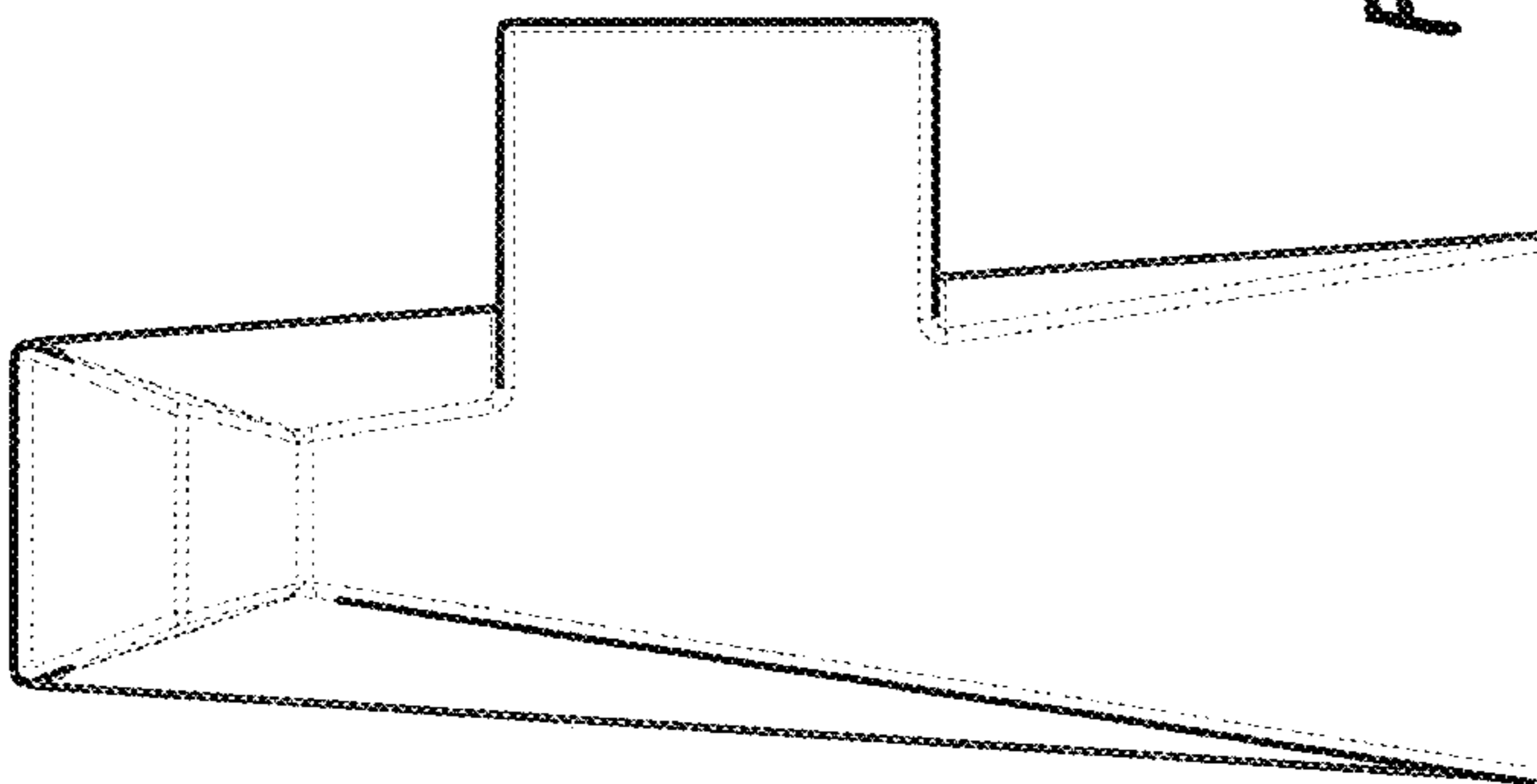


Fig. 3

FRONT VIEW

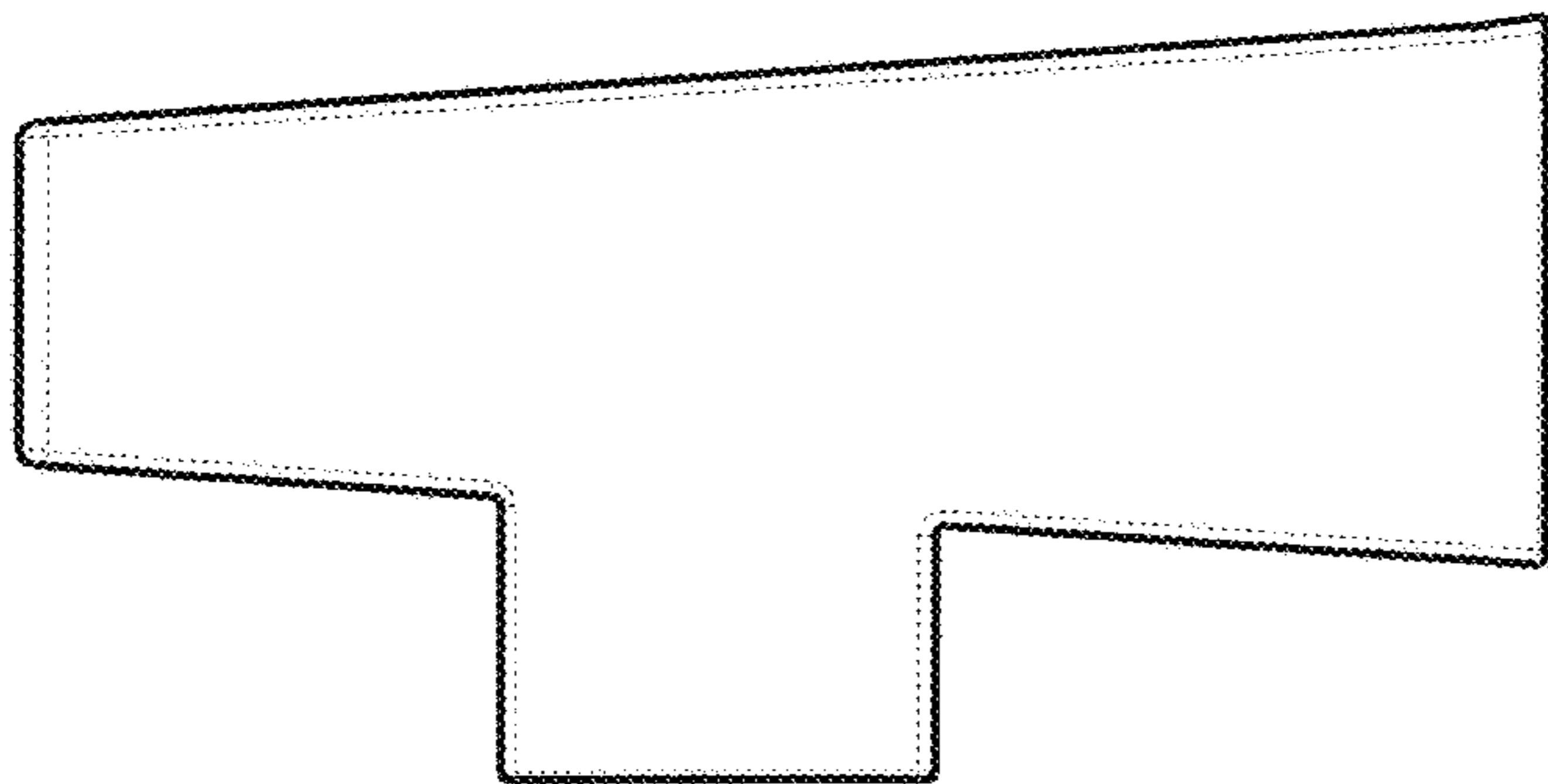


Fig. 5

REAR VIEW

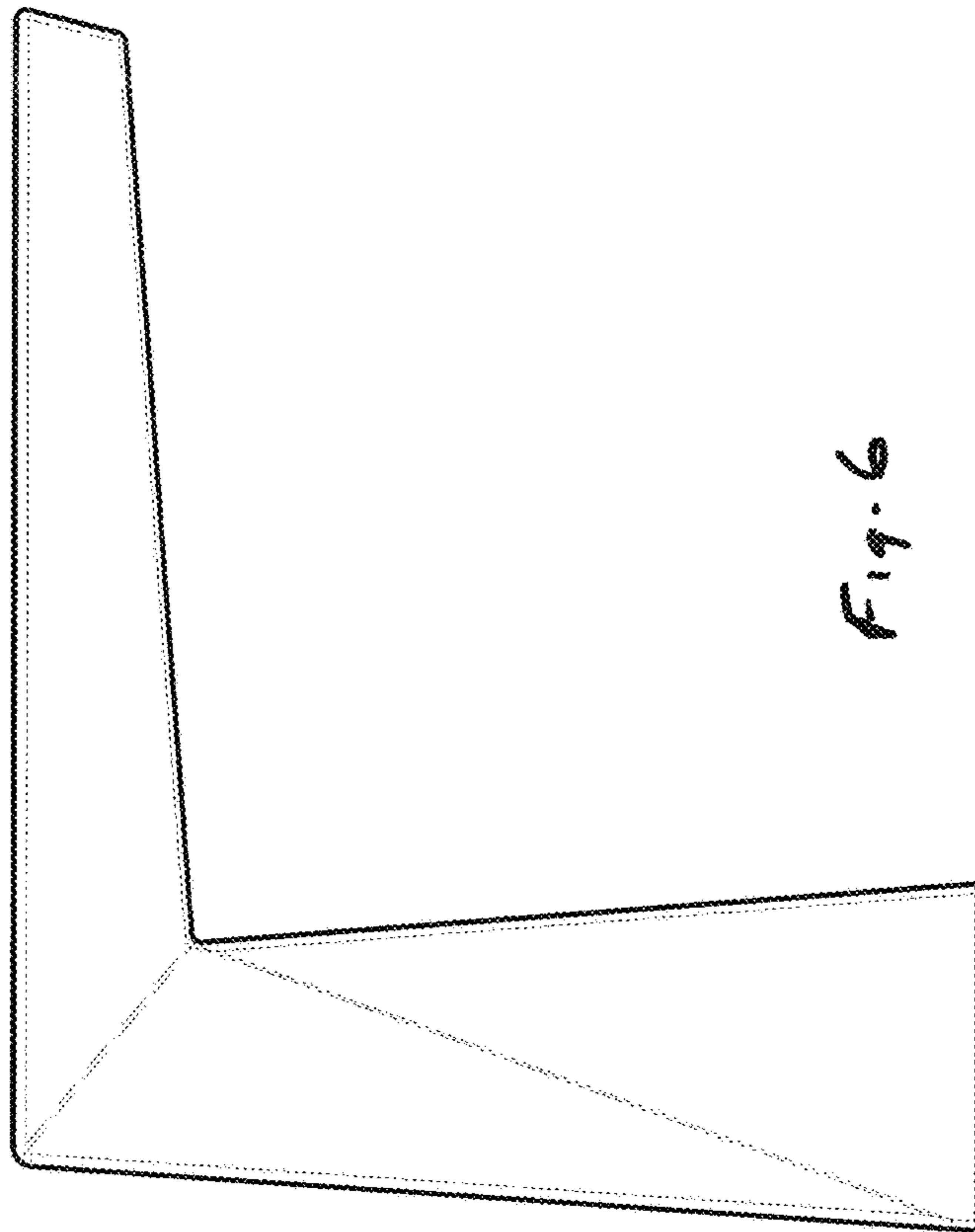
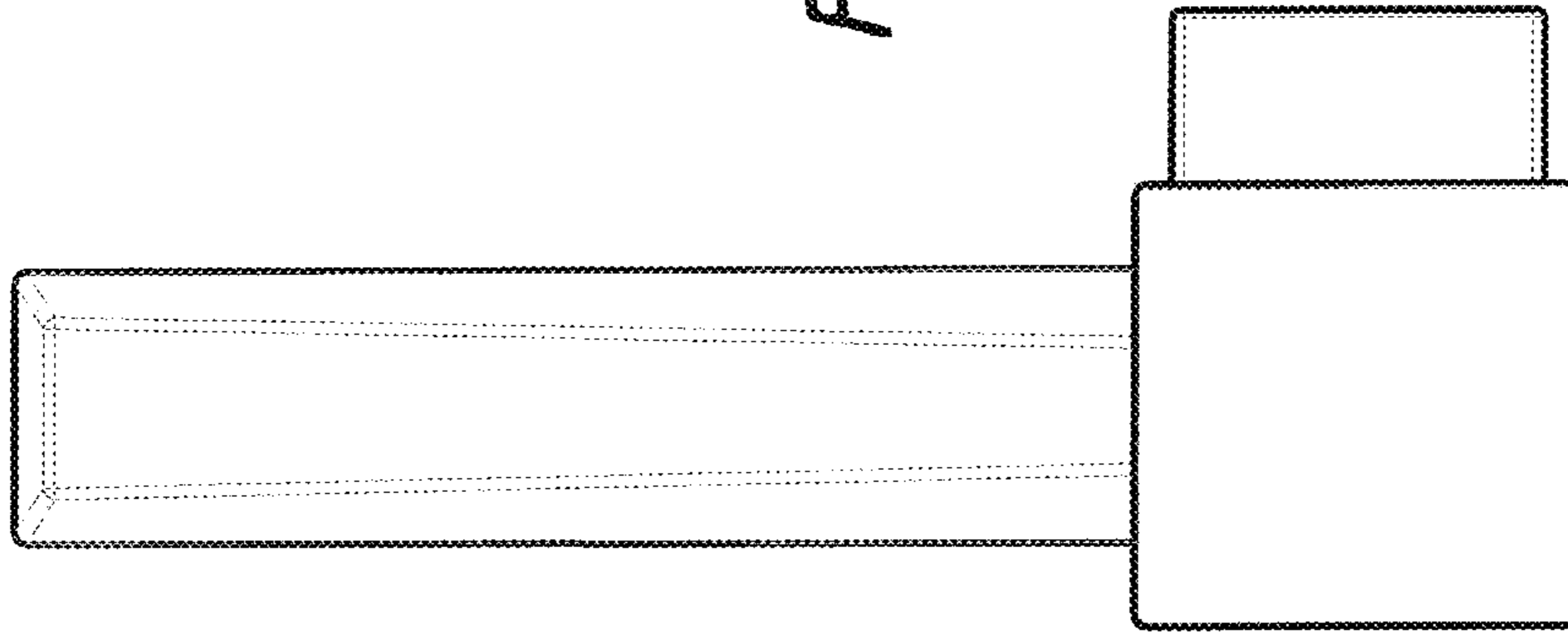


Fig. 6

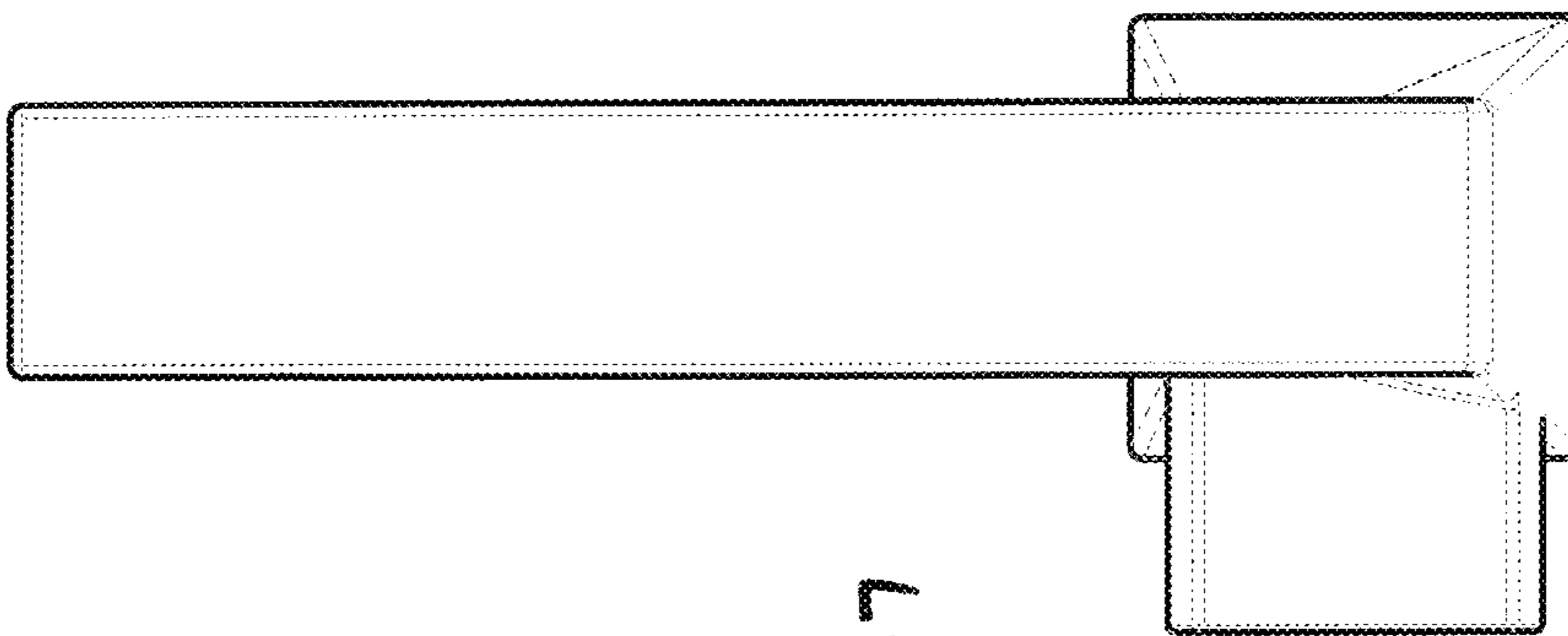
RIGHT SIDE VIEW

Fig. 6



BOTTOM VIEW

Fig. 7



TOP PLAN VIEW