



US00D848576S

(12) **United States Design Patent**  
**Zeisel et al.**

(10) **Patent No.:** **US D848,576 S**

(45) **Date of Patent:** **\*\* May 14, 2019**

(54) **PUSH-BUTTON—KITCHEN AND BATHROOM TAP**

(71) Applicant: **Franke Water Systems AG**, Unterkulm (CH)

(72) Inventors: **Michael Zeisel**, Aachen (DE); **Michael Lammel**, Aachen (DE)

(73) Assignee: **Franke Water Systems AG**, Unterkulm (CH)

(\*\*) Term: **15 Years**

(21) Appl. No.: **29/612,728**

(22) Filed: **Aug. 3, 2017**

(30) **Foreign Application Priority Data**

Feb. 15, 2017 (WO) ..... DM/094 895

(51) **LOC (11) Cl.** ..... **23-01**

(52) **U.S. Cl.**  
USPC ..... **D23/255**

(58) **Field of Classification Search**  
USPC ..... D23/238–243, 249, 255, 257  
CPC ..... E03C 1/04; E03C 1/0401; E03C 1/0402;  
E03C 1/0404; Y10T 137/9464  
See application file for complete search history.

(56) **References Cited**

**U.S. PATENT DOCUMENTS**

D302,203 S \* 7/1989 Paul ..... D23/257  
D517,655 S \* 3/2006 Ogata ..... D23/241

D615,627 S \* 5/2010 Sofield ..... D23/252  
D678,988 S \* 3/2013 Lord ..... D23/257  
D757,903 S \* 5/2016 Schoenherr ..... D23/238  
D810,243 S \* 2/2018 Schoenherr ..... D23/242  
D816,803 S \* 5/2018 Ravassa ..... D23/238

\* cited by examiner

*Primary Examiner* — Robert A Delehanty

(74) *Attorney, Agent, or Firm* — Volpe and Koenig, P.C.

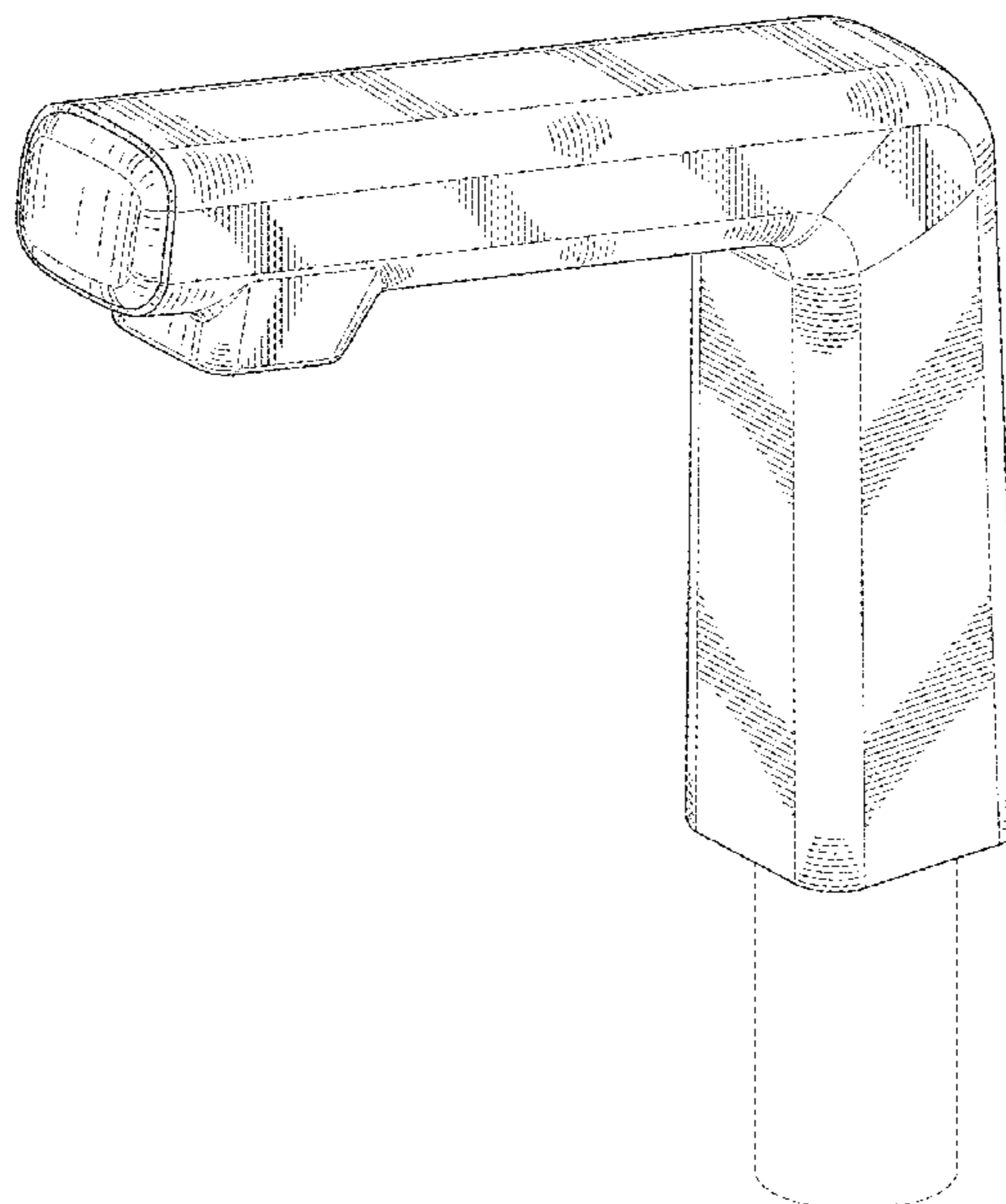
(57) **CLAIM**

We claim the ornamental design for a push-button—kitchen and bathroom tap, as shown and described.

**DESCRIPTION**

FIG. 1 is a top, front, right side perspective view of a push-button—kitchen and bathroom tap in accordance with our new design;  
FIG. 2 is a right side elevational view thereof;  
FIG. 3 is a left side elevational view thereof;  
FIG. 4 is a front elevational view thereof;  
FIG. 5 is rear elevational view thereof;  
FIG. 6 is top plan view thereof;  
FIG. 7 is a bottom plan view thereof; and,  
FIG. 8 is a top, rear, left side perspective view thereof.  
The broken lines represent portions of the push-button—kitchen and bathroom tap that form no part of the claimed design.

**1 Claim, 6 Drawing Sheets**



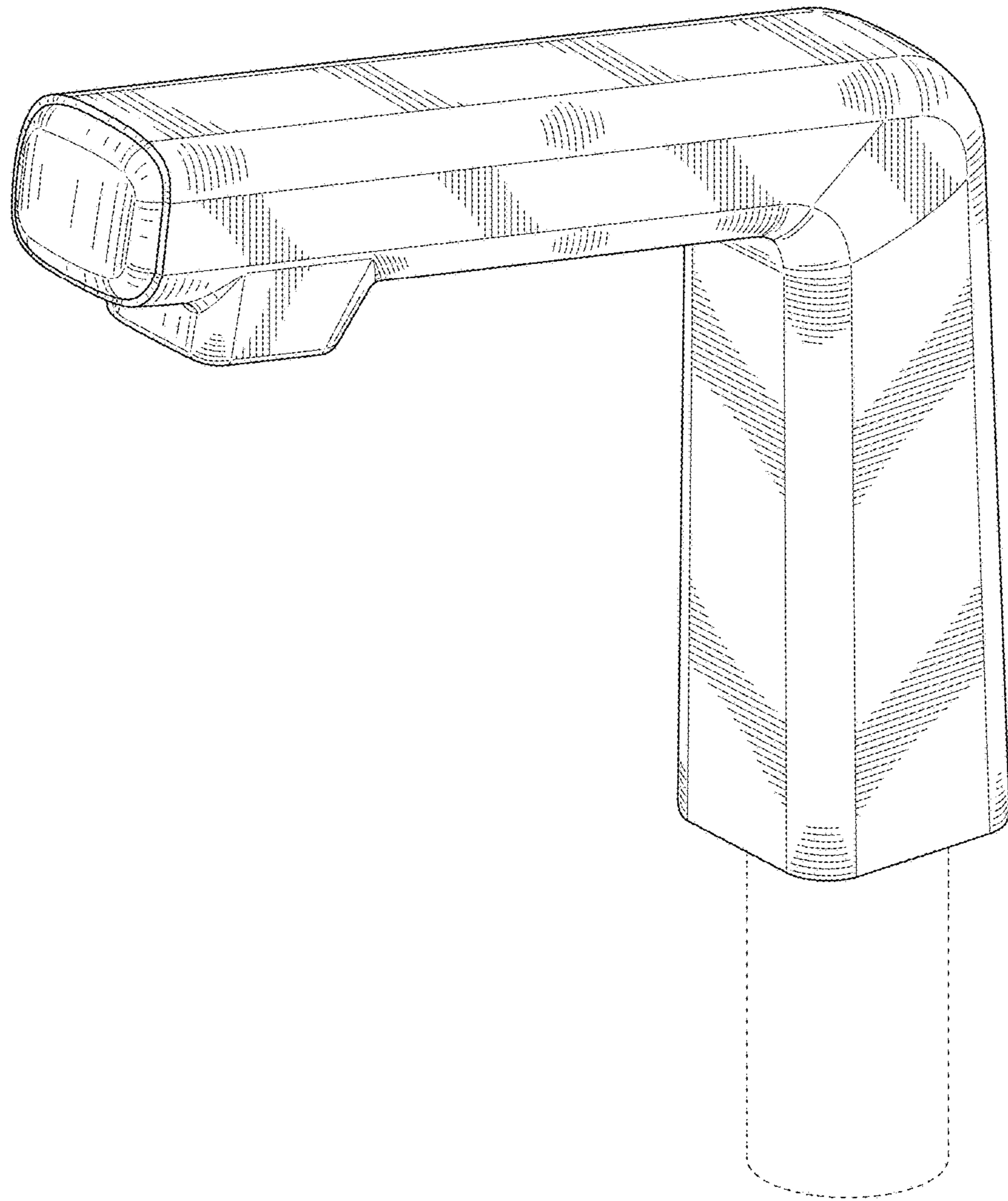


FIG. 1

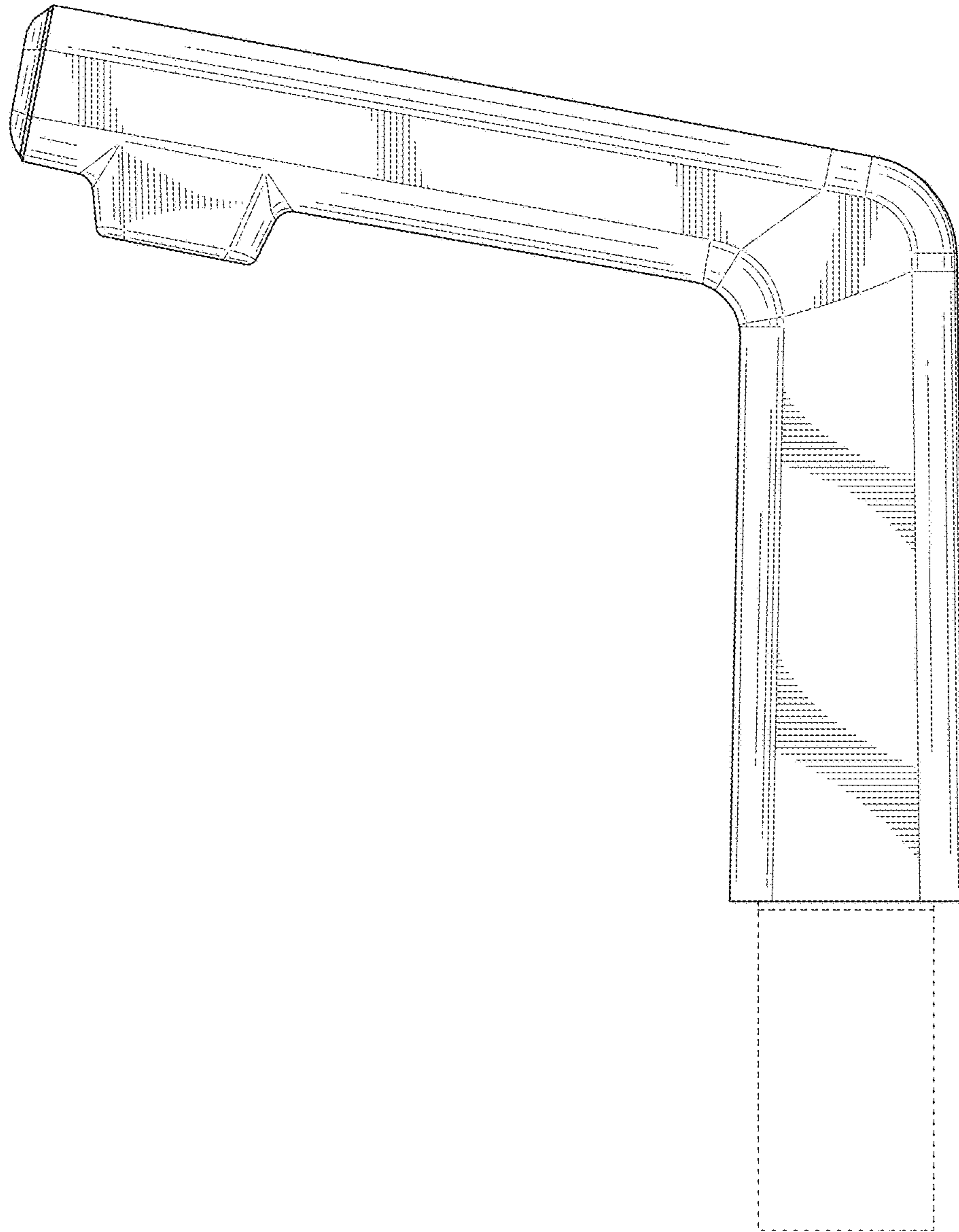


FIG. 2

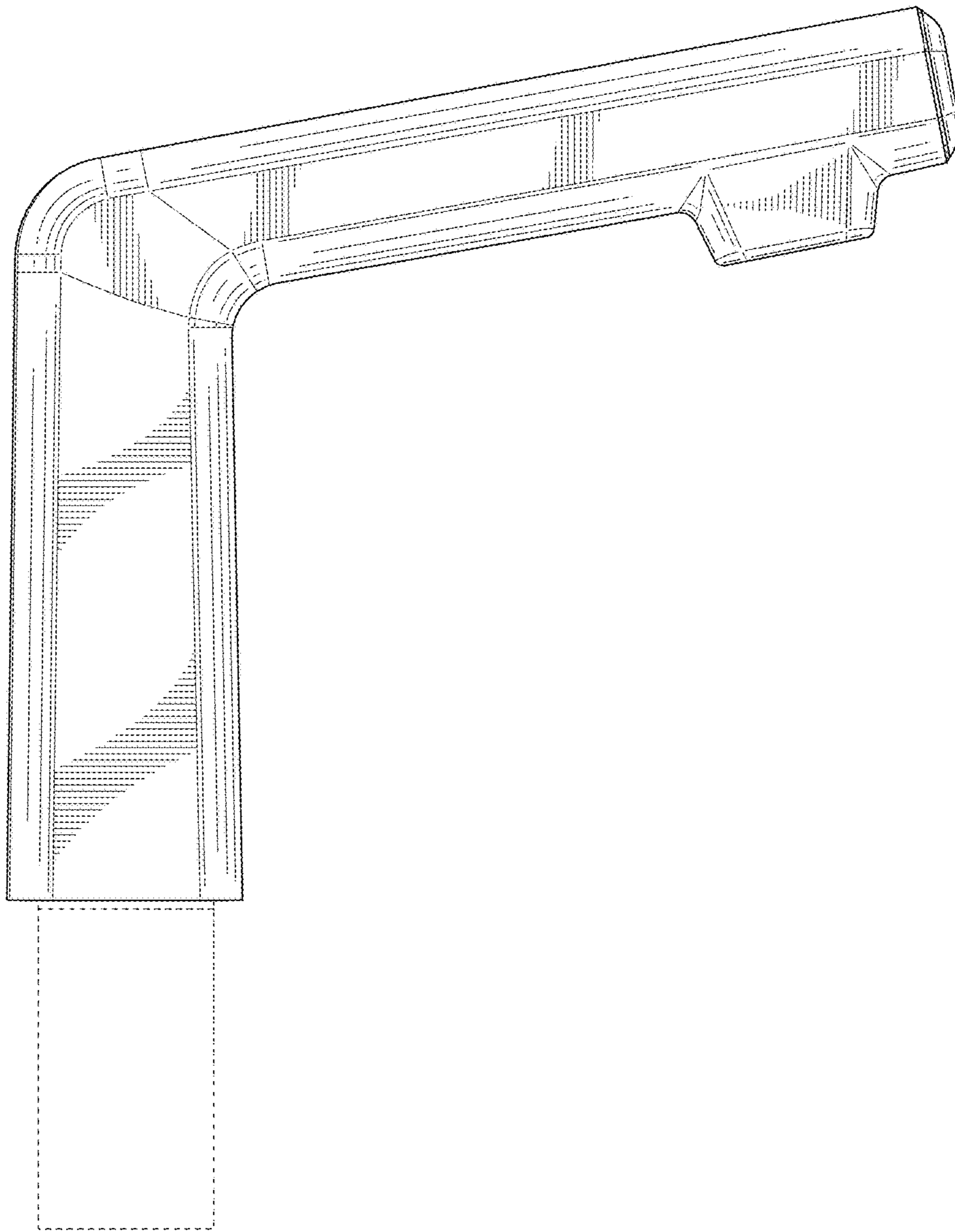


FIG. 3

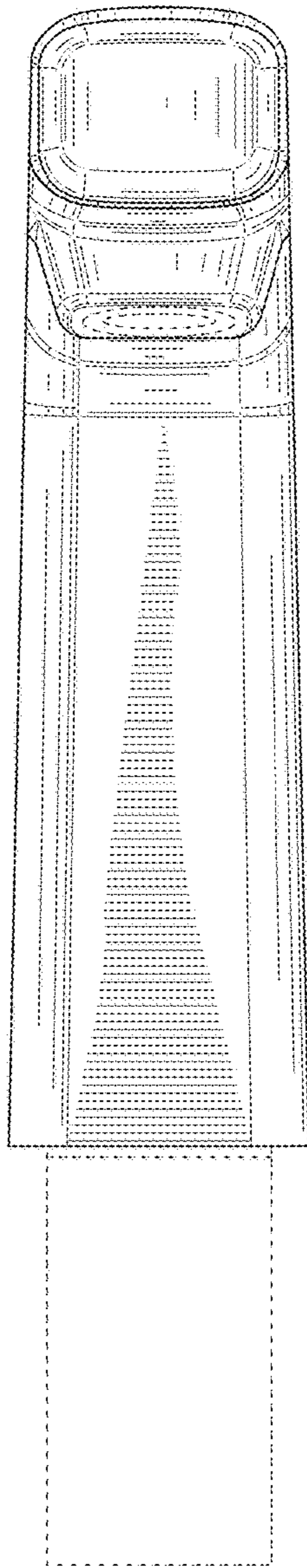


FIG. 4

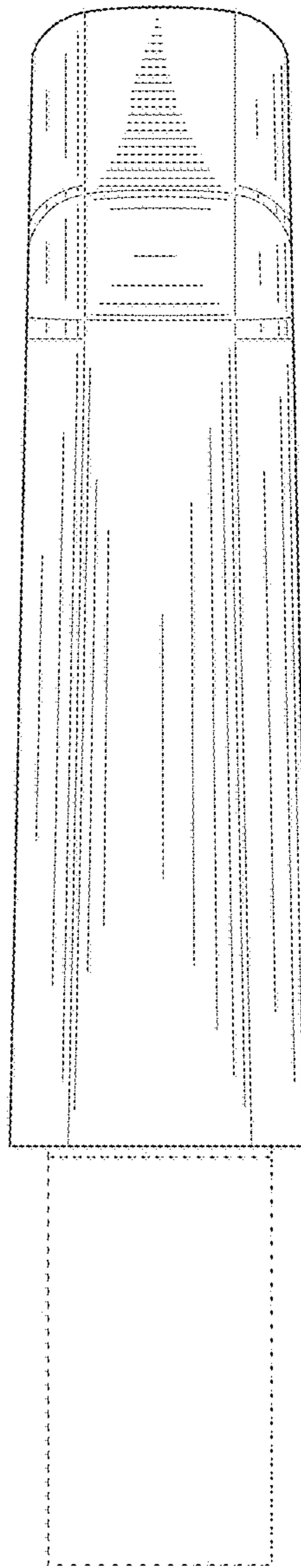


FIG. 5

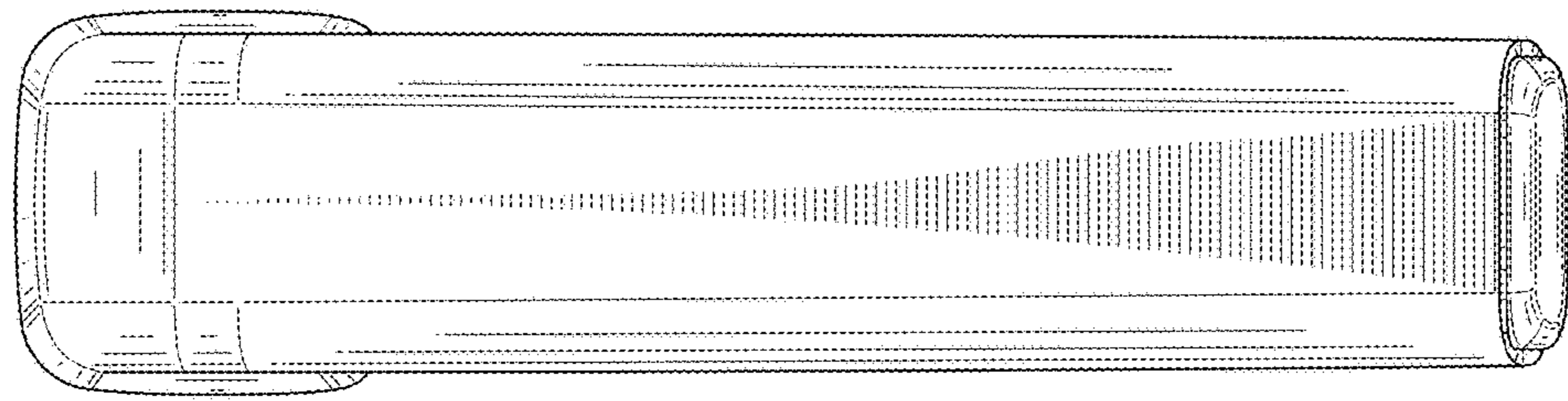


FIG. 6

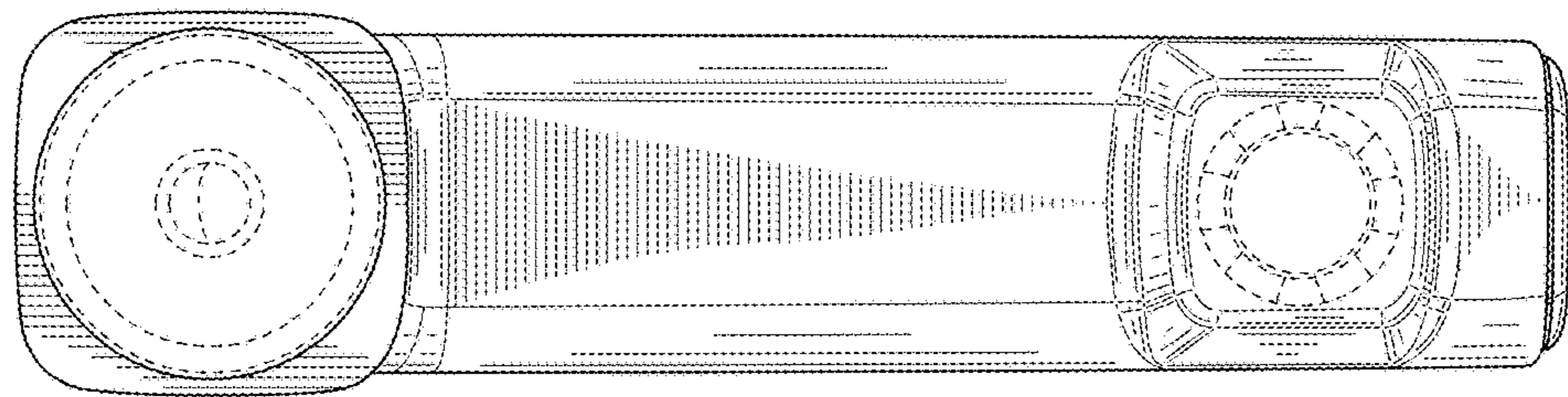


FIG. 7

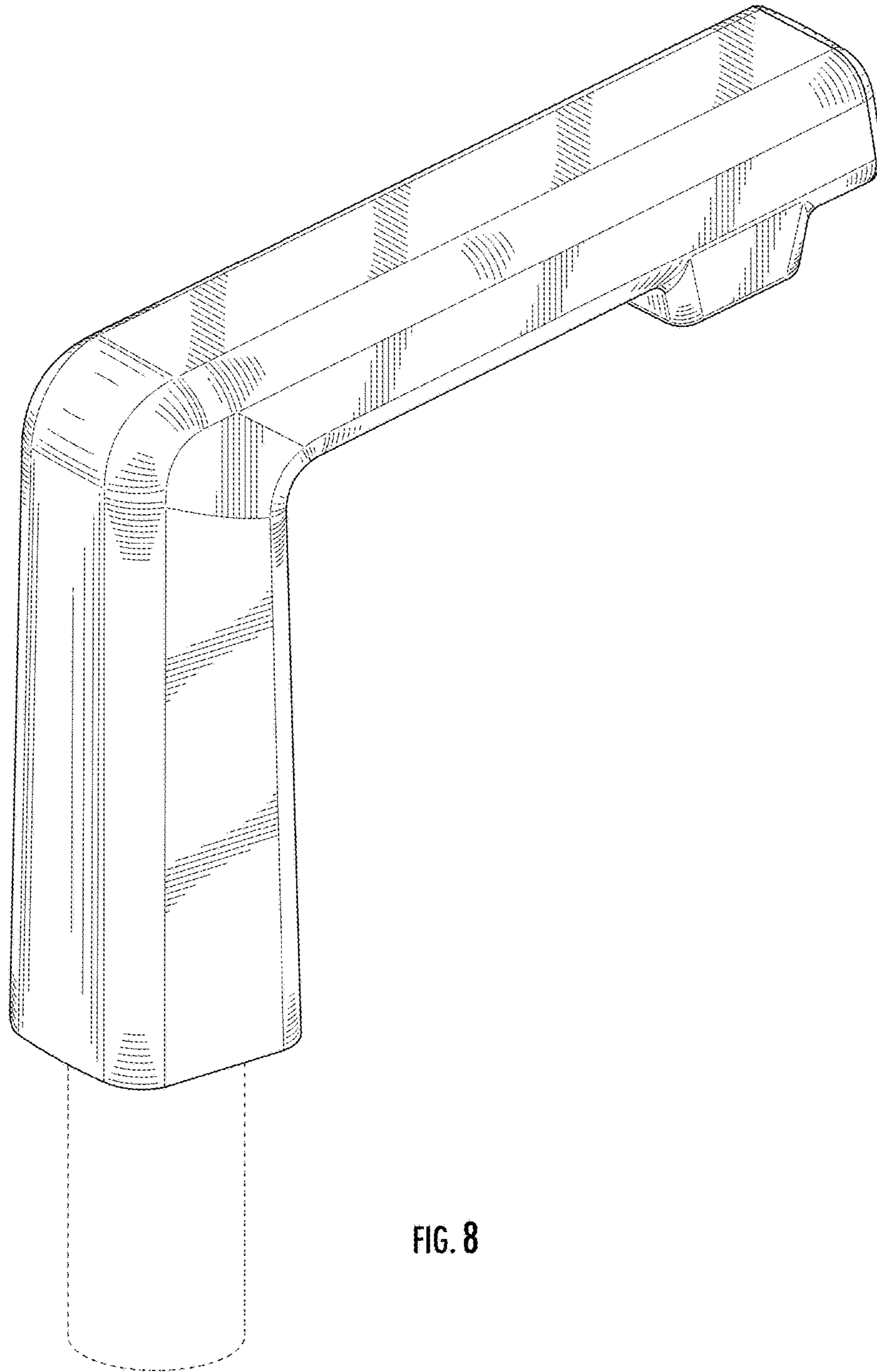


FIG. 8